



US00D422764S

United States Patent [19] Wood

[11] Patent Number: Des. 422,764

[45] Date of Patent: ** Apr. 11, 2000

[54] VACUUM CLEANER ACCESSORY HOLDER

[75] Inventor: Stephen John Wood, Cadillac, Mich.

[73] Assignee: Rexair, Inc., Troy, Mich.

[**] Term: 14 Years

[21] Appl. No.: 29/083,515

[22] Filed: Feb. 4, 1998

[51] LOC (6) Cl. 15-05

[52] U.S. Cl. D32/31

[58] Field of Search D32/1, 21, 23-25,
D32/31, 30; 15/323, 327.1, 327.2, 327.3,
327.4, 327.5, 327.6, 327.7, 336, 325, 326,
321, 347, 353

D. 381,482	7/1997	Medema et al.	D32/31
2,935,760	5/1960	Martinec .	
3,085,279	4/1963	Meyerhoefer .	
3,872,538	3/1975	Crouser .	
3,955,237	5/1976	Chateaneuf et al. .	
4,563,789	1/1986	Berfield .	
4,653,638	3/1987	Lackner et al. .	
5,071,012	12/1991	Jailor .	
5,125,127	6/1992	Bach et al. .	
5,142,731	9/1992	Resch .	
5,313,686	5/1994	Berfield .	
5,528,794	6/1996	Tomasiak	15/323

Primary Examiner—Ruth McInroy
Attorney, Agent, or Firm—Howard & Howard

[57] CLAIM

The ornamental design for a vacuum cleaner accessory holder, as shown and described.

DESCRIPTION

FIG. 1 is a perspective view of a vacuum cleaner accessory holder showing my new design;
FIG. 2 is a front elevational view thereof;
FIG. 3 is a top plan view thereof;
FIG. 4 is a side elevational view thereof;
FIG. 5 is a rear elevational view thereof;
FIG. 6 is a side elevational view thereof of the side opposite to that shown in FIG. 4; and,
FIG. 7 is a bottom plan.

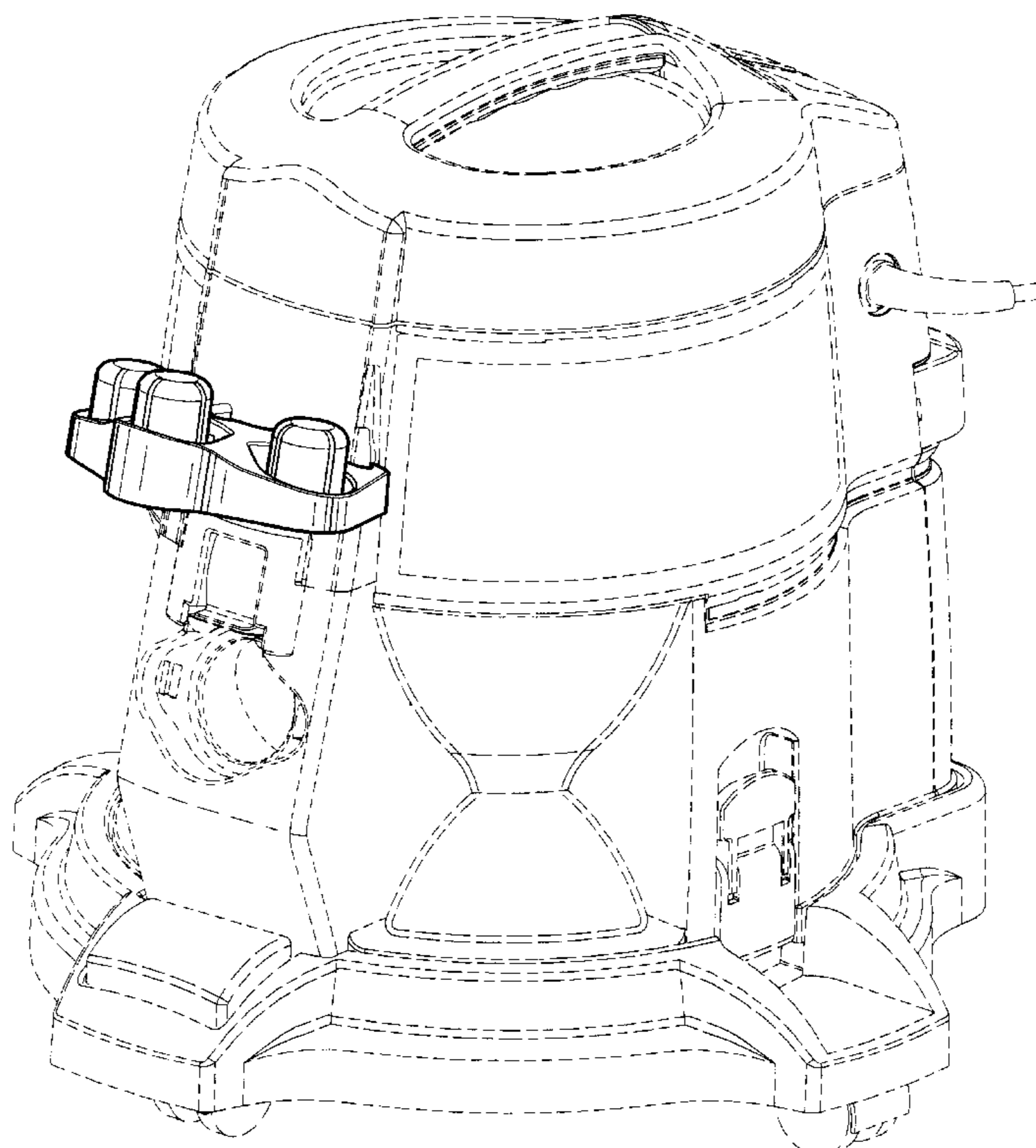
The broken lines showing the environmental structure is for illustrative purposes only and forms no part of the claimed design.

1 Claim, 4 Drawing Sheets

[56] References Cited

U.S. PATENT DOCUMENTS

D. 218,015	7/1970	Symington	D32/31
D. 226,822	5/1973	Haynes	D32/31
D. 272,572	2/1984	Parise	D32/31
D. 294,755	3/1988	Lackner et al. .	
D. 294,756	3/1988	Fonville .	
D. 295,334	4/1988	Fonville .	
D. 295,910	5/1988	Hill .	
D. 344,616	2/1994	Berfield et al.	D32/31
D. 354,380	1/1995	Stephens	D32/31
D. 357,562	4/1995	Chumley et al.	D32/31
D. 361,179	8/1995	Moine et al.	D32/23
D. 361,415	8/1995	Knight	D32/31
D. 362,091	9/1995	Tomasiak et al.	D32/23
D. 373,862	9/1996	Stephens et al.	D32/23
D. 374,523	10/1996	Tomasiak	D32/31



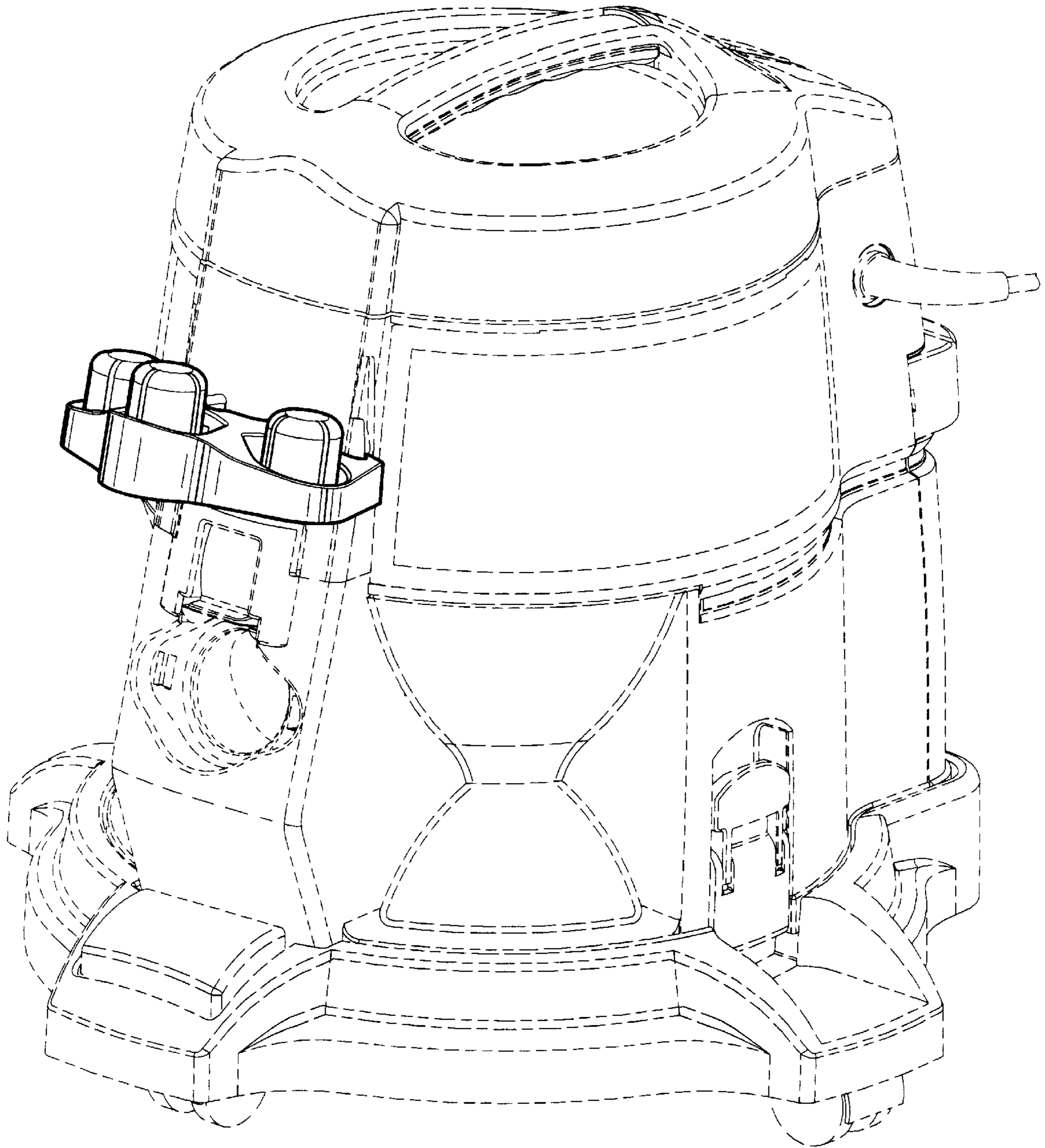


Fig-1

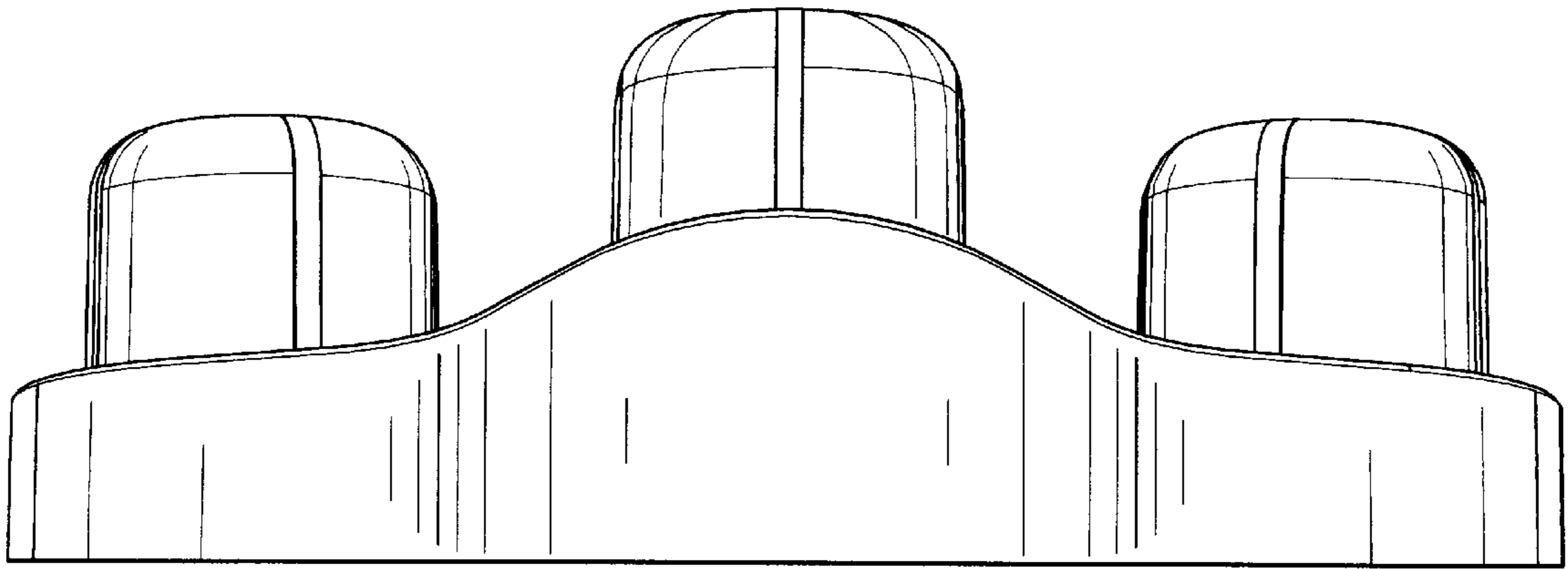


Fig-2

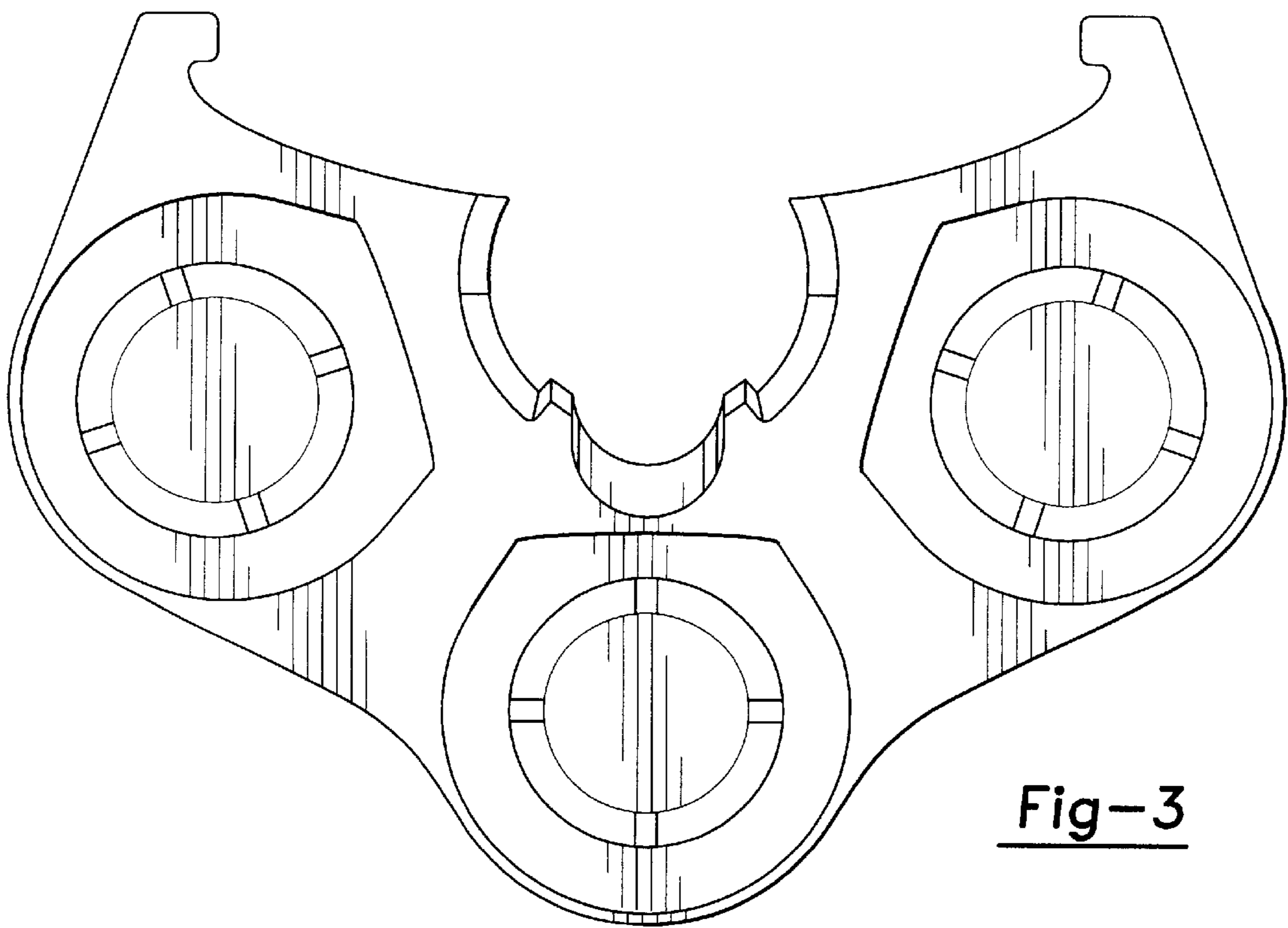


Fig-3

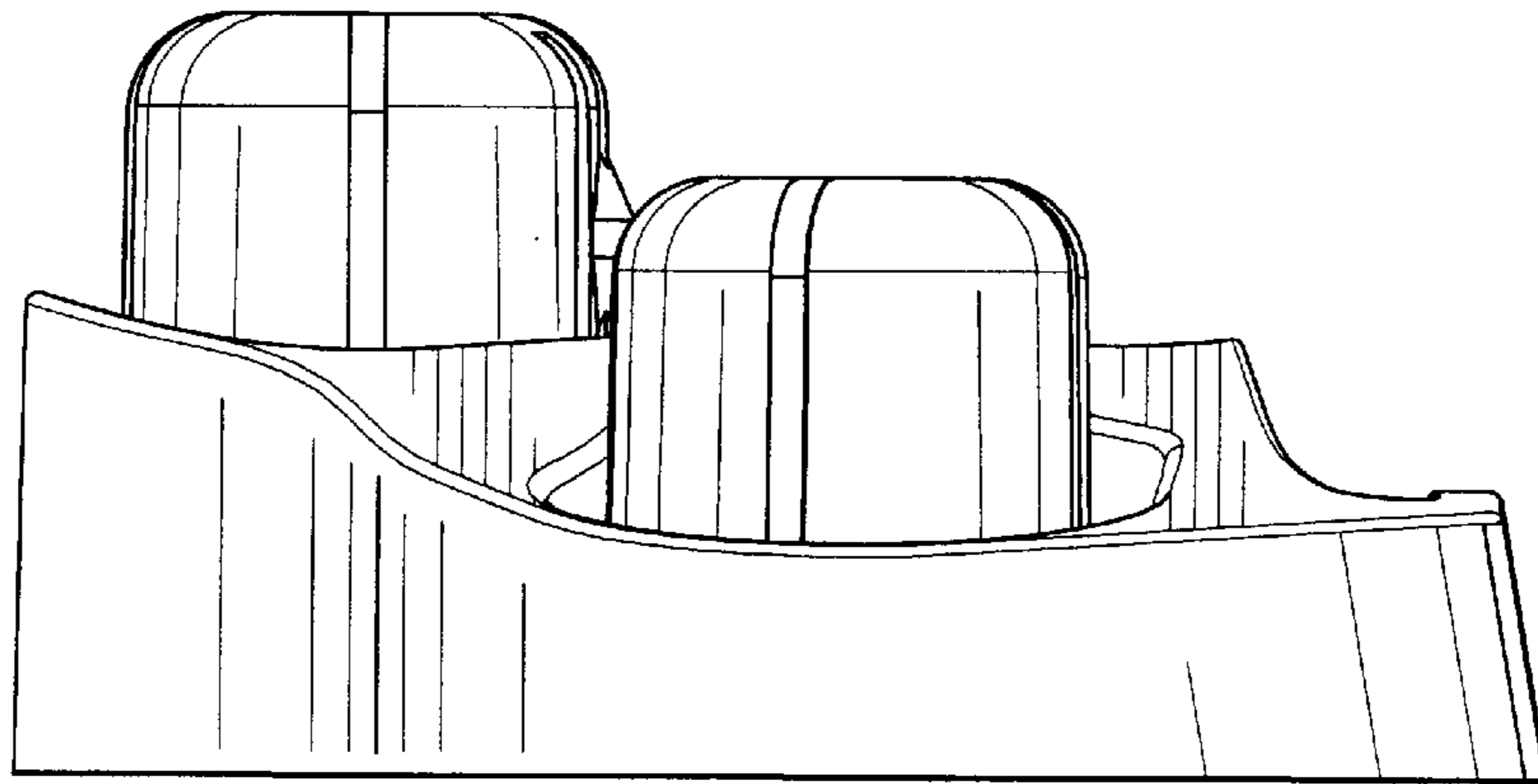


Fig-4

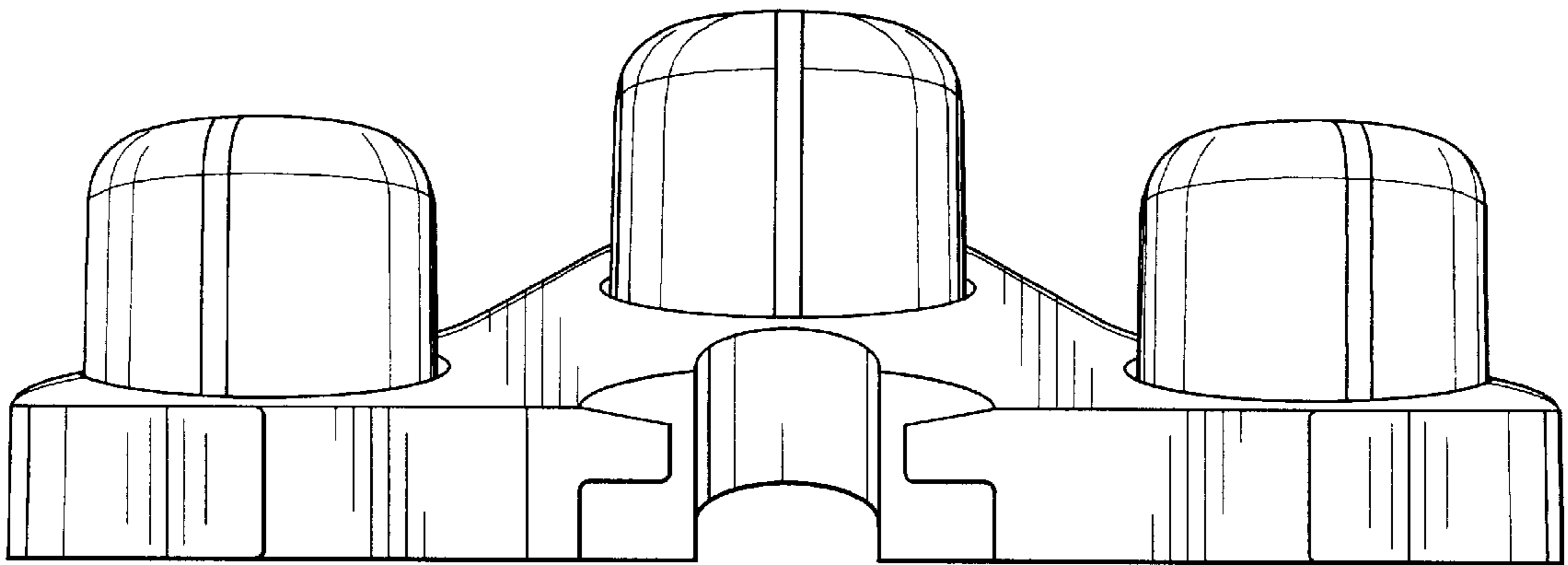


Fig-5

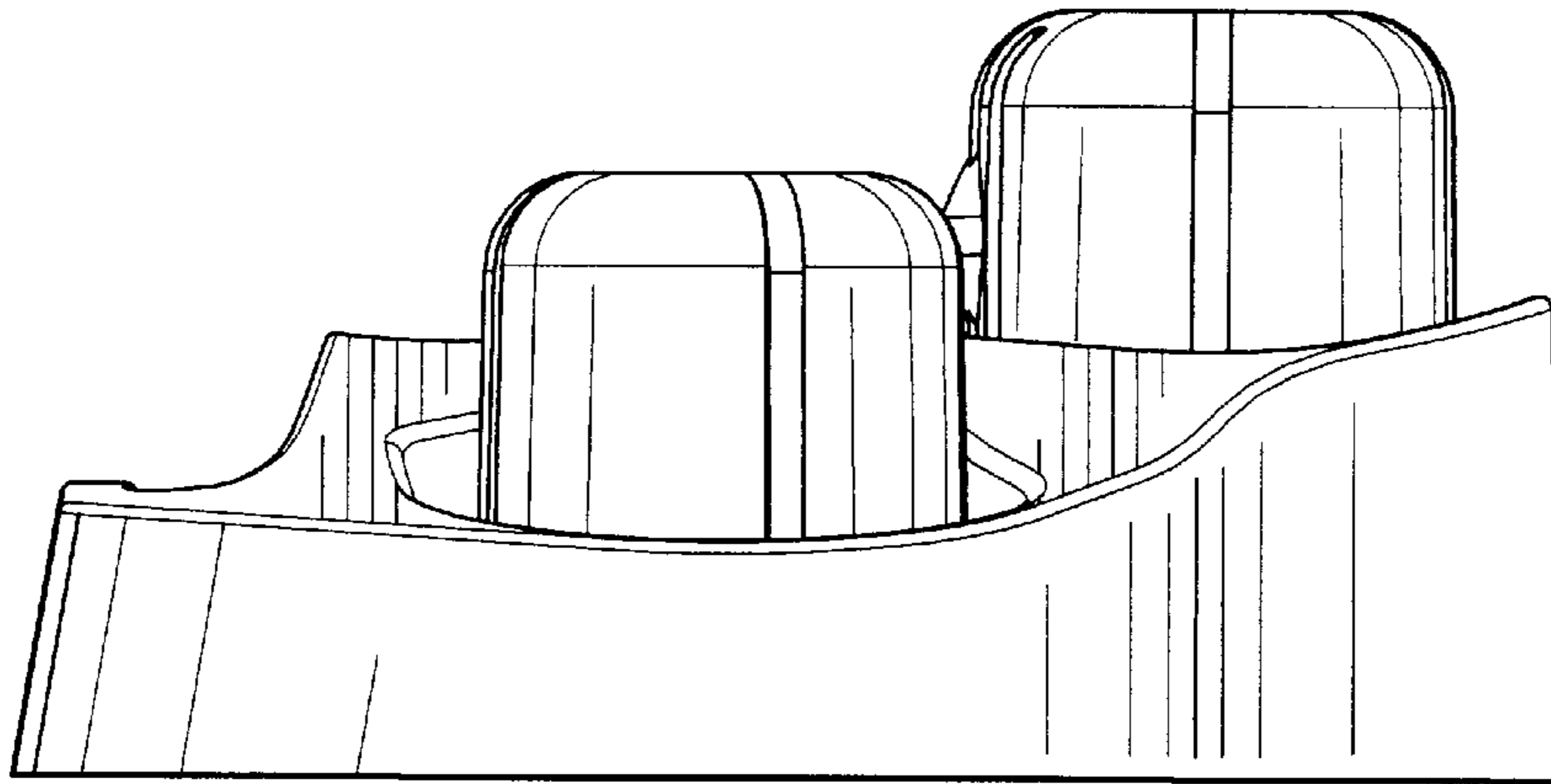


Fig-6

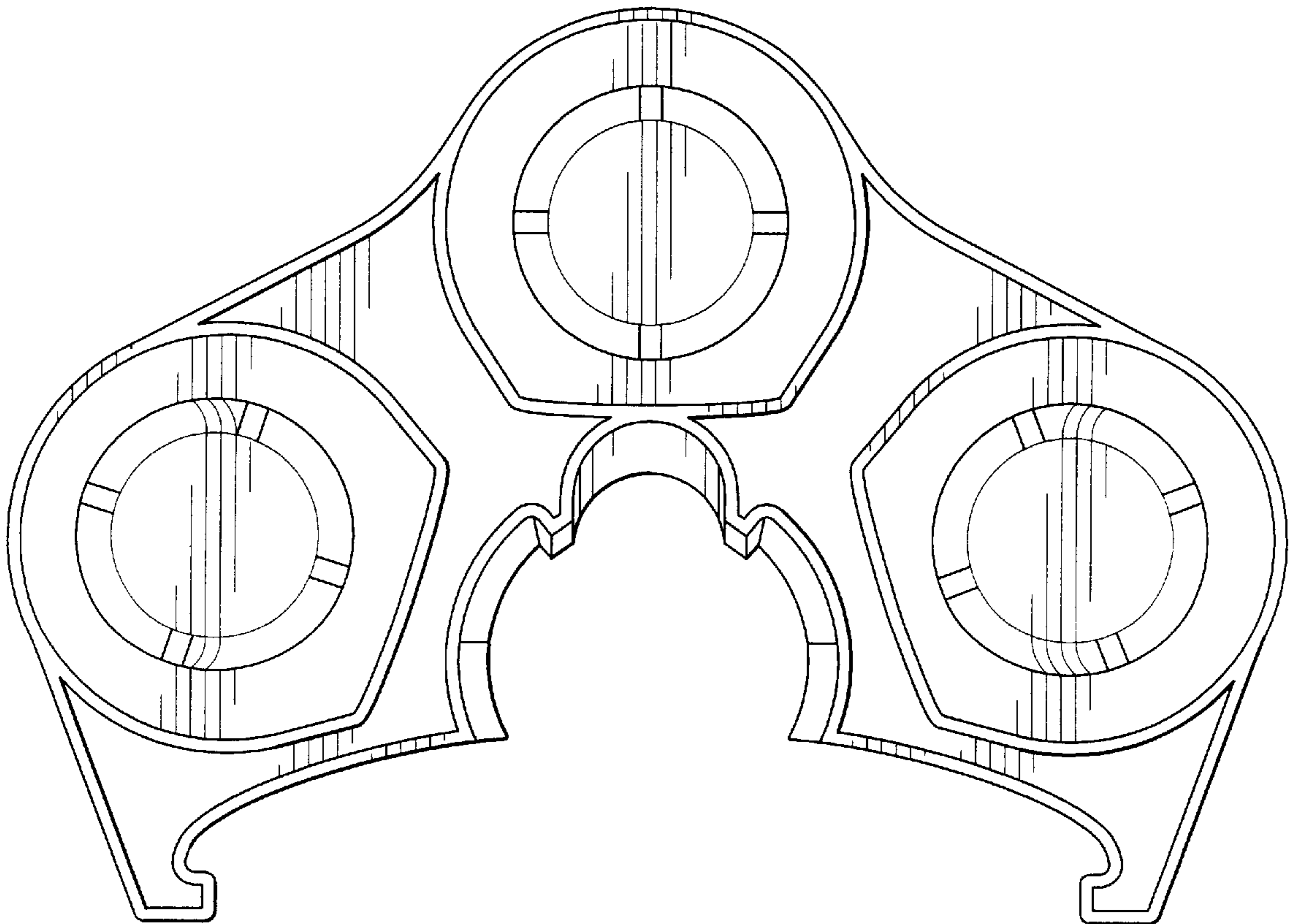


Fig-7