



US00D422762S

# United States Patent [19]

[11] **Patent Number: Des. 422,762**

**Tsuda et al.**

[45] **Date of Patent: \*\* Apr. 11, 2000**

## [54] ELECTRIC WASHING MACHINE

## FOREIGN PATENT DOCUMENTS

[75] Inventors: **Yukihiro Tsuda**, Nara; **Kazuya Takahashi**; **Yoshiaki Ueda**, both of Osaka, all of Japan

795326 9/1990 Japan .  
857042 1/1993 Japan .  
915943 1/1995 Japan .

[73] Assignee: **Matsushita Electric Industrial Co., Ltd.**, Japan

## OTHER PUBLICATIONS

[\*\*] Term: **14 Years**

National Model No. NA-F800P catalogue issued Sep. 1, 1998.

[21] Appl. No.: **29/108,337**

“The Kenmore Kart”, p. 1208, Sears catalog, Fall/Winter 1972.

[22] Filed: **Jul. 26, 1999**

“Lady Kenmore Portable-Compact Washer”, p. 1058, Sears catalog, Spring/Summer 1974.

## [30] Foreign Application Priority Data

Feb. 4, 1999 [JP] Japan ..... 11-2645

*Primary Examiner*—Louis S. Zarfaz  
*Assistant Examiner*—Robert A. Delehanty  
*Attorney, Agent, or Firm*—Saidman DesignLaw Group

[51] **LOC (6) Cl.** ..... **15-05**

## [57] CLAIM

[52] **U.S. Cl.** ..... **D32/6**

The ornamental design for an electric washing machine, as shown and described.

[58] **Field of Search** ..... D32/1, 6, 8, 10, D32/12, 13, 25, 28; 34/108, 87, 125, 523, 524, 602, 603; 68/3 R, 4, 5 R, 12.08, 12.27, 2.3

## DESCRIPTION

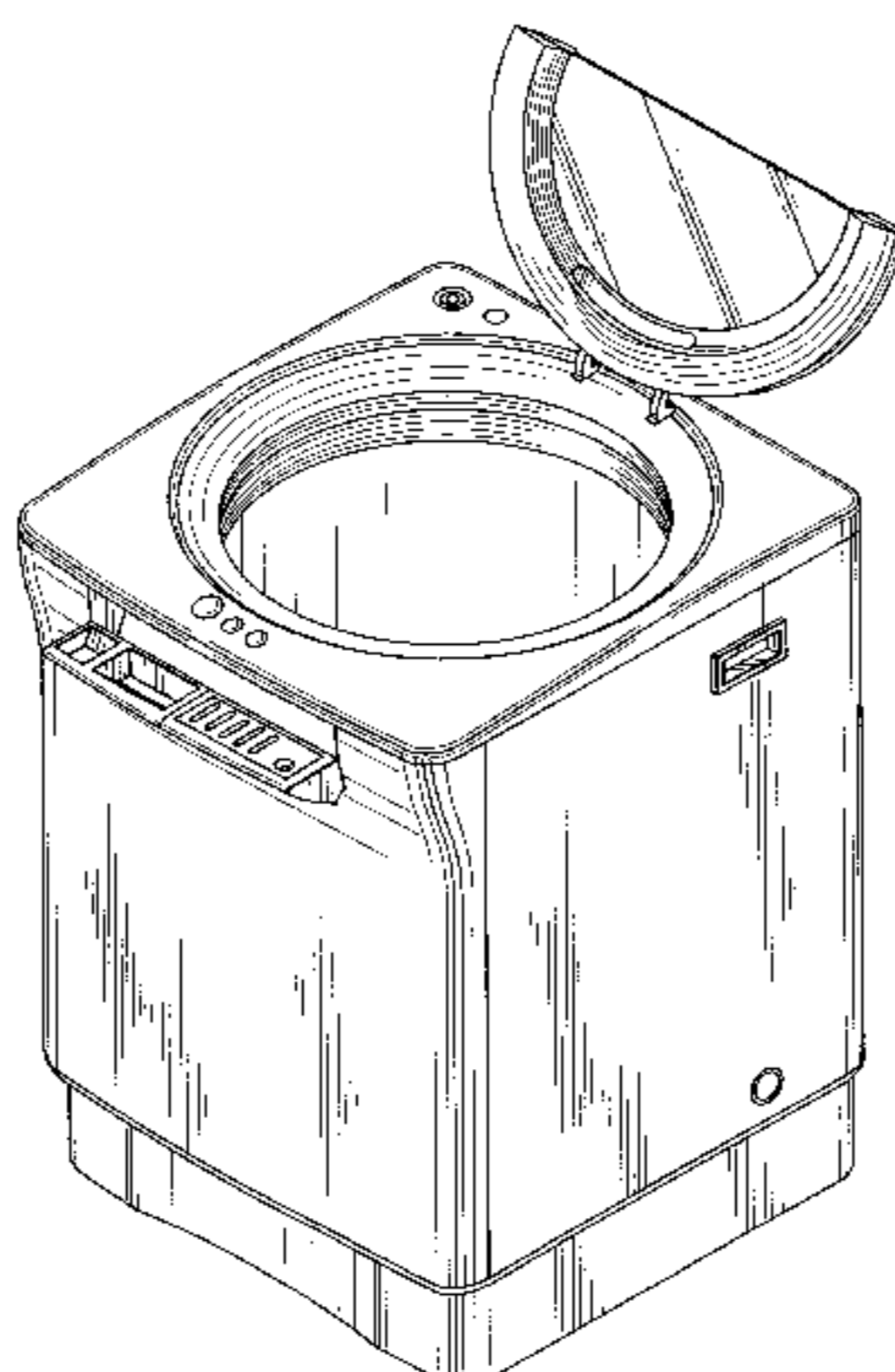
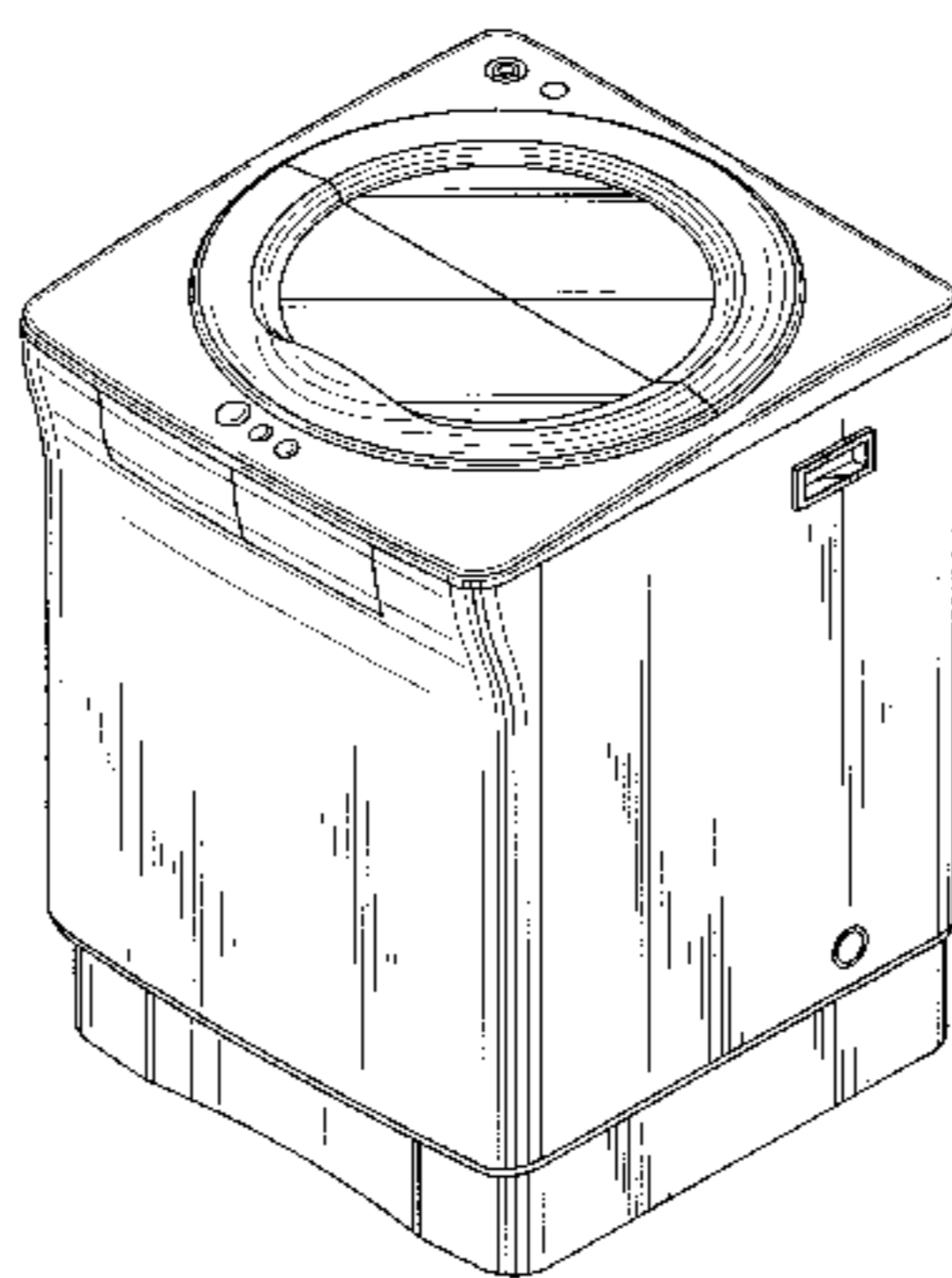
## [56] References Cited

### U.S. PATENT DOCUMENTS

D. 152,550 2/1949 Little ..... D32/6  
D. 175,019 6/1955 Ferar ..... D32/6  
D. 181,297 10/1957 Krynski ..... D32/8  
D. 300,279 3/1989 Umehara et al. .... D32/6  
2,734,281 2/1956 Kauffman, II ..... 34/87  
3,798,931 3/1974 Czech et al. .... 66/3 R  
5,253,493 10/1993 Ohashi ..... 68/4  
5,315,847 5/1994 Takeda et al. .... 68/12.08

FIG. 1 is a perspective view of the top, front and right side of an electric washing machine showing our new design; FIG. 2 is a front view thereof; FIG. 3 is a right side view thereof; FIG. 4 is a top plan view thereof; FIG. 5 is a bottom view thereof; FIG. 6 is a rear view thereof; FIG. 7 is a left side view thereof; and, FIG. 8 is a perspective view thereof with the lid and control panel in an open position.

**1 Claim, 5 Drawing Sheets**



*FIG. 1*

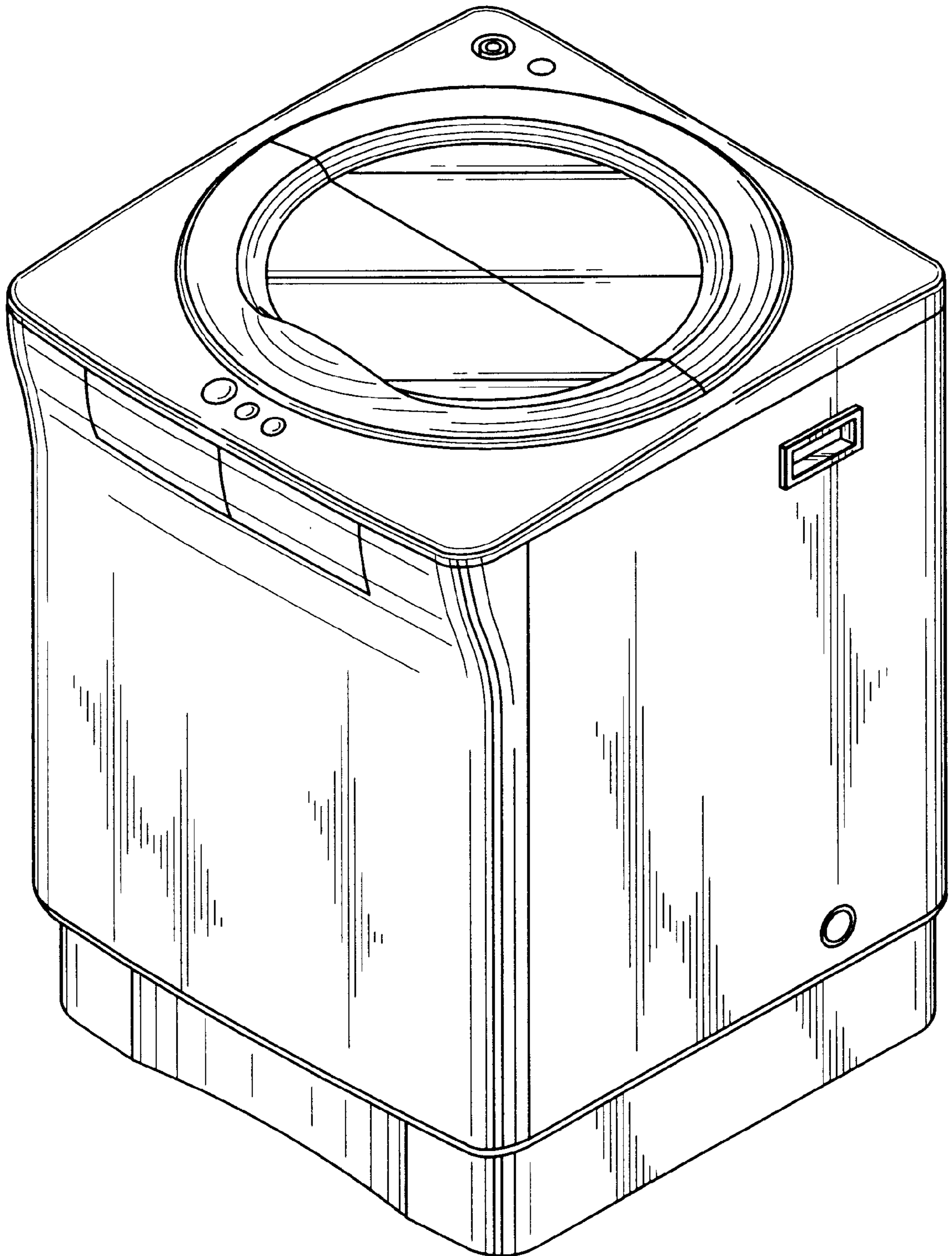


FIG. 3

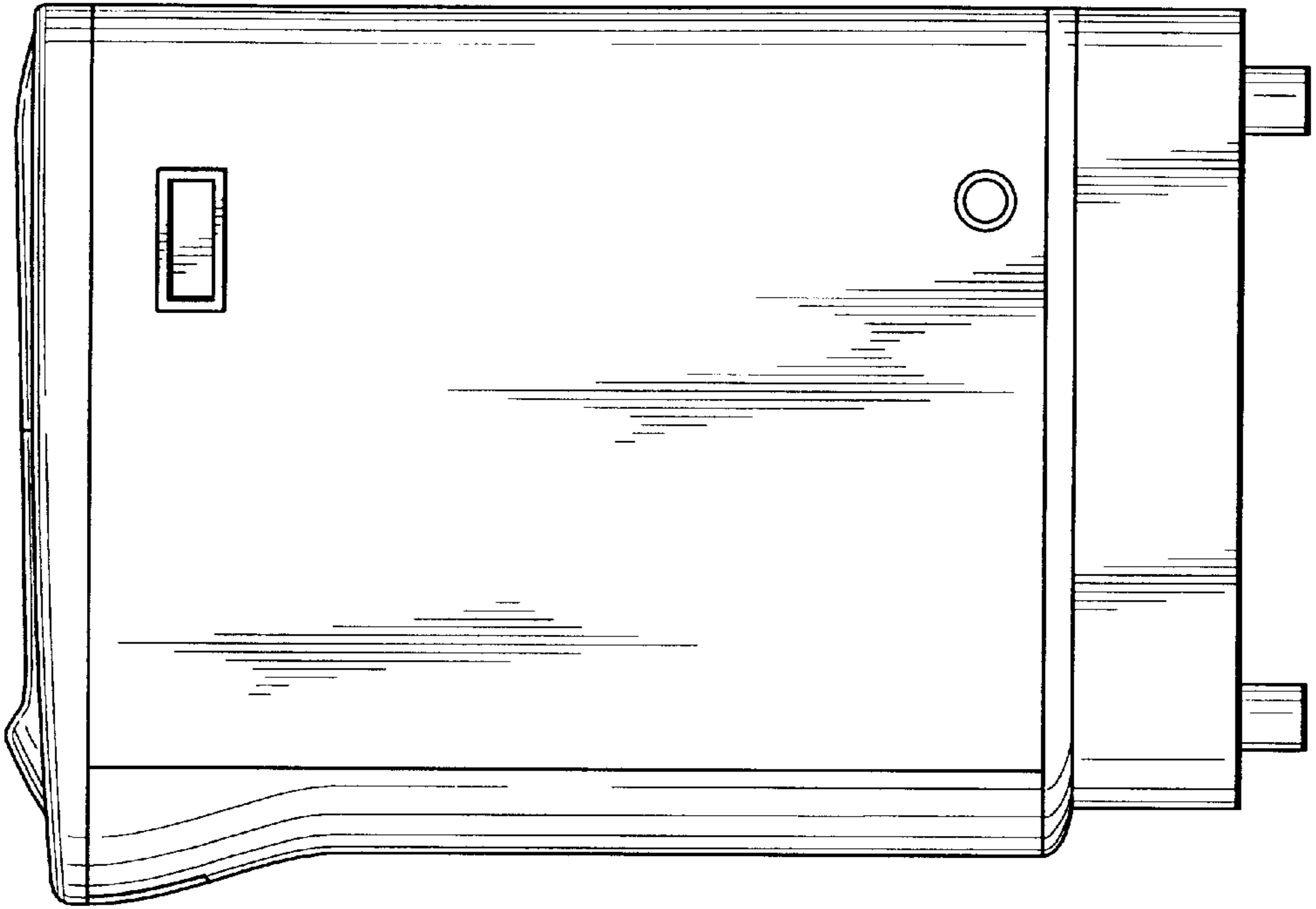


FIG. 2

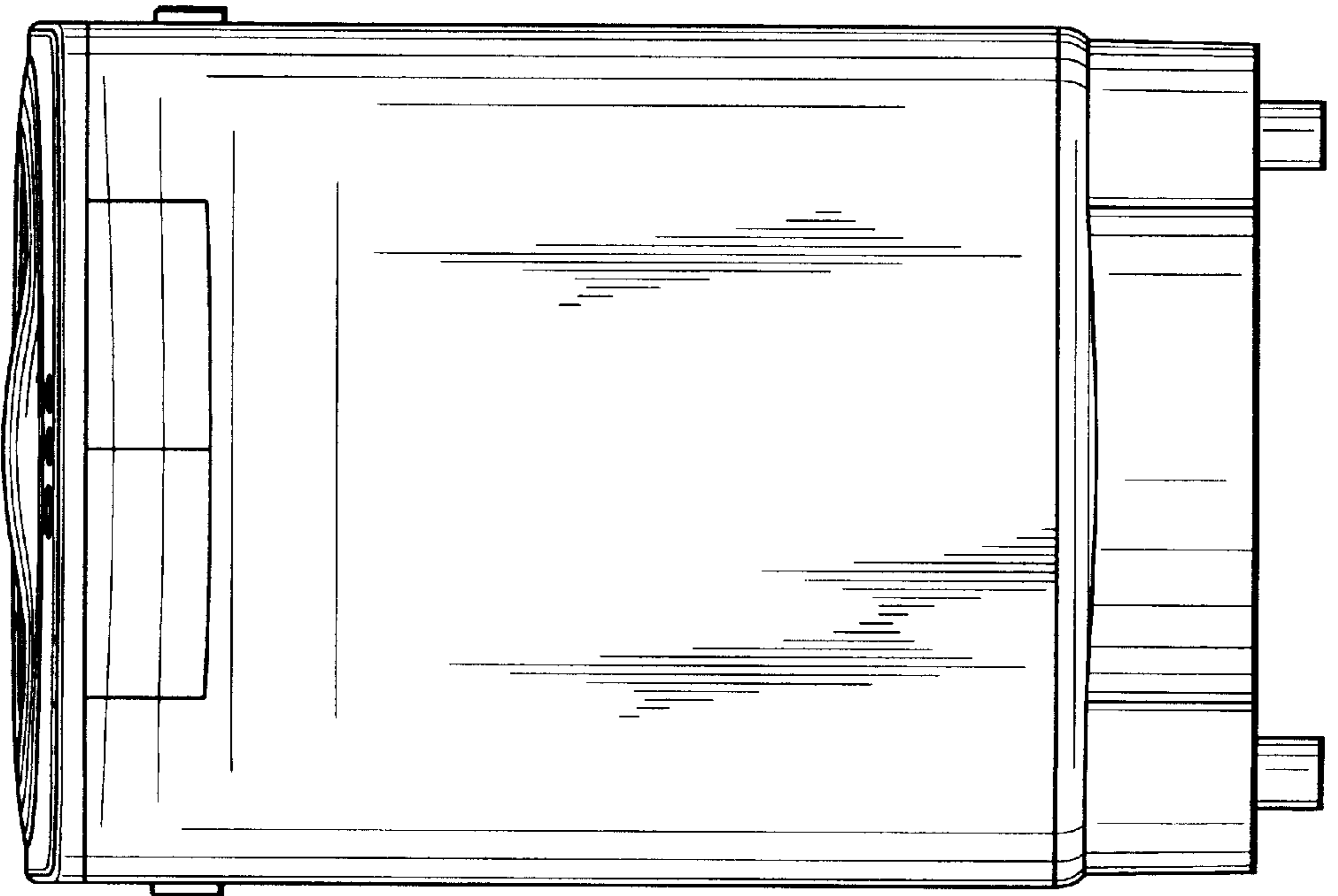


FIG. 5

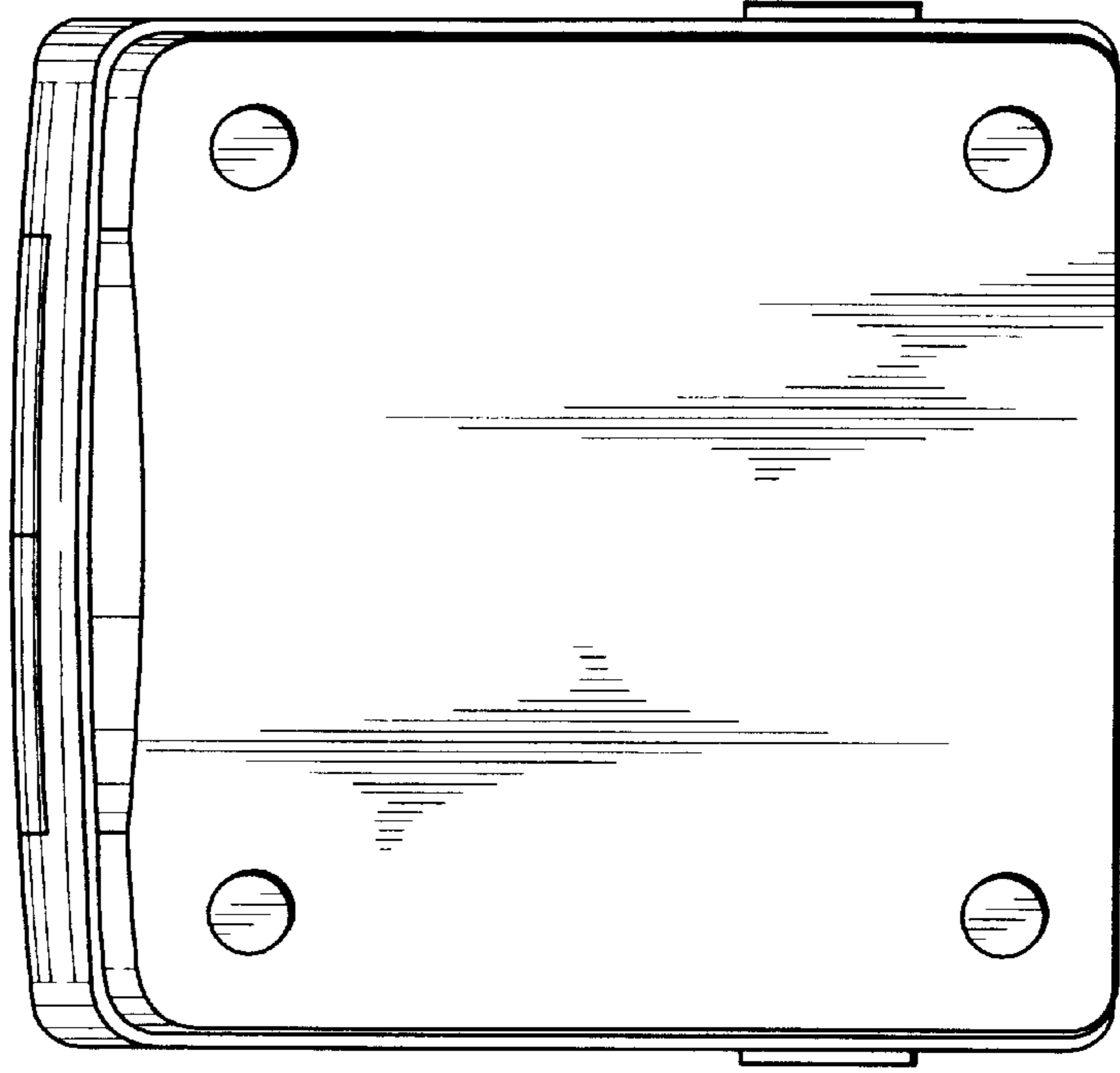


FIG. 4

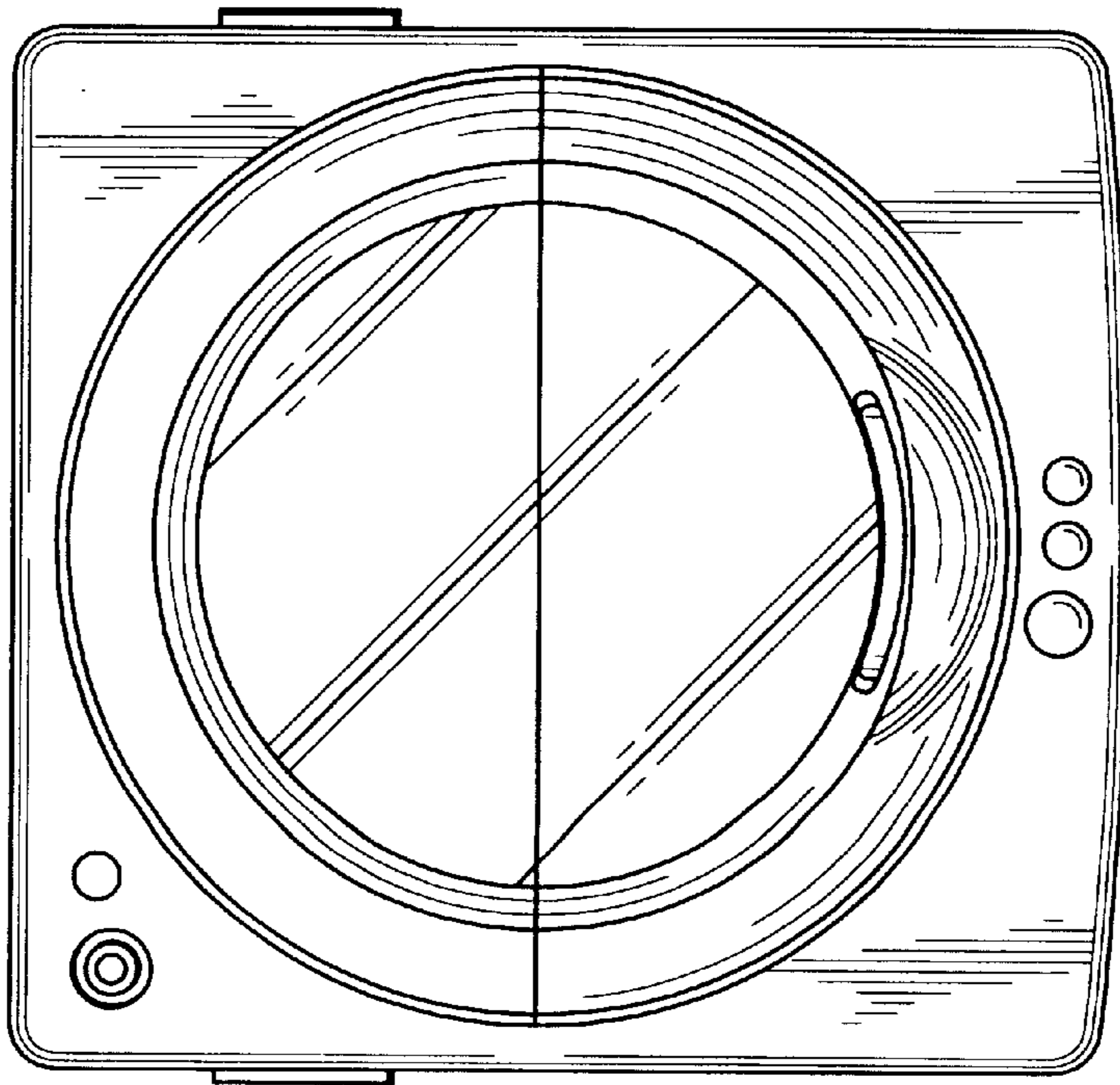


FIG. 7

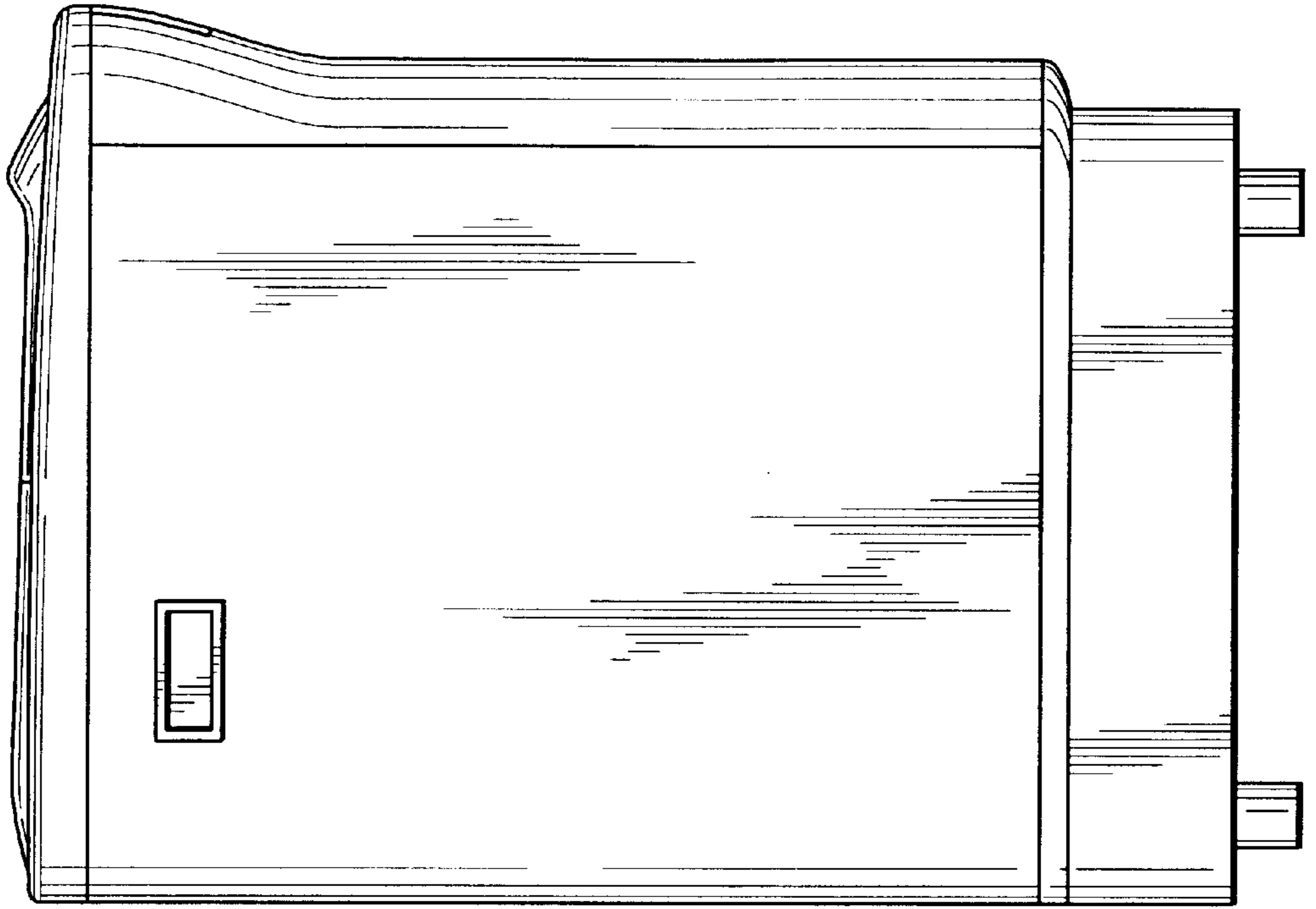
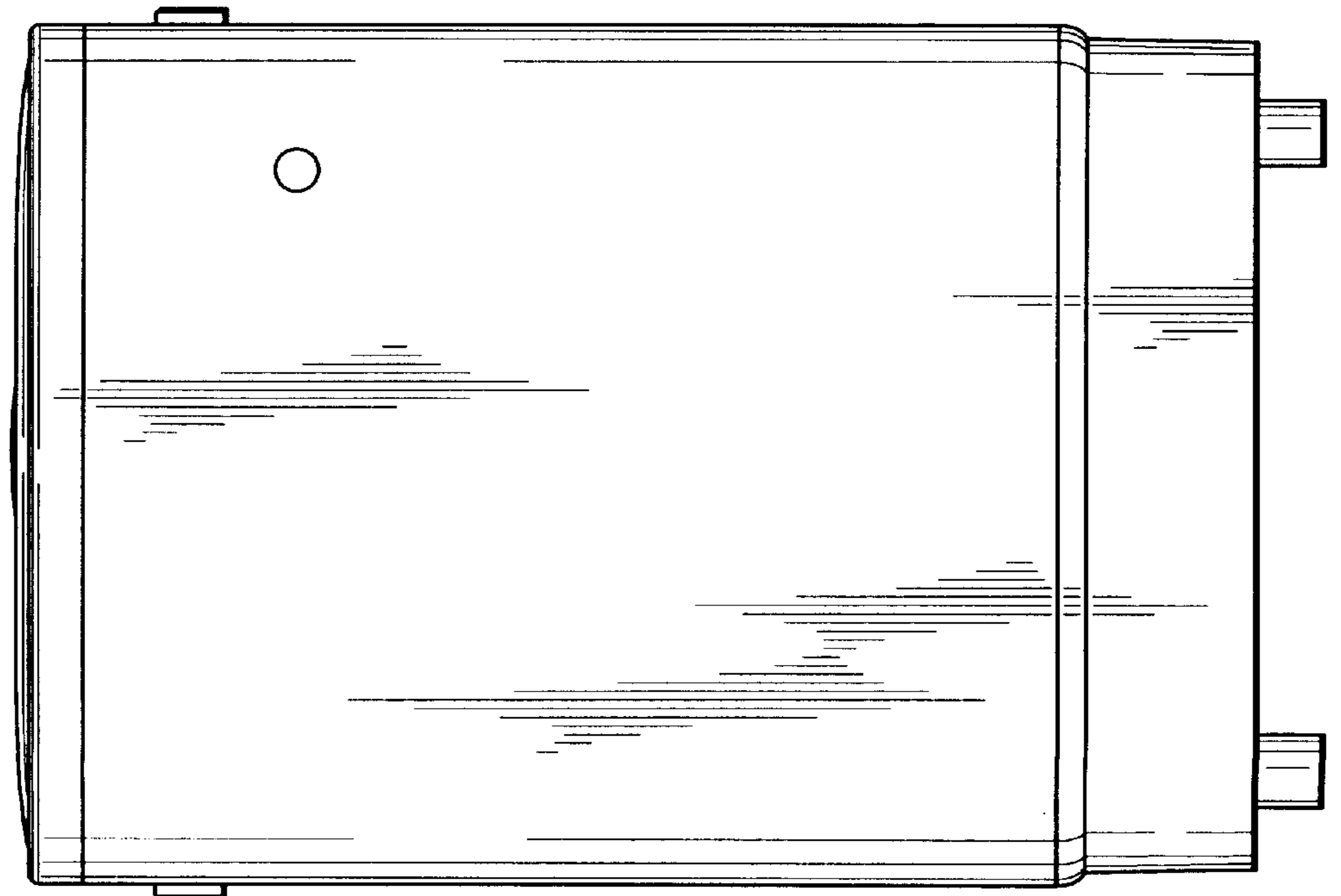


FIG. 6



*FIG. 8*

