



US00D422751S

United States Patent [19] Gray

[11] Patent Number: **Des. 422,751**

[45] Date of Patent: **** Apr. 11, 2000**

[54] **RAZOR BLADE CARTRIDGE**

[75] Inventor: **Michael J. Gray**, Duxbury, Mass.

[73] Assignee: **The Gillette Company**, Boston, Mass.

[**] Term: **14 Years**

[21] Appl. No.: **29/052,952**

[22] Filed: **Apr. 10, 1996**

[51] **LOC (6) Cl.** **28-03**

[52] **U.S. Cl.** **D28/47**

[58] **Field of Search** D28/45-48; 30/32,
30/47-51, 34.05, 34.2, 346.58, 346.59,
77, 80-83, 526, 527, 531

4,422,237 12/1983 Trotta .
5,426,851 6/1995 Gilder et al. 30/34.2 X
5,526,567 6/1996 Carson, III et al. 30/50

FOREIGN PATENT DOCUMENTS

289228 11/1988 European Pat. Off. 30/52
M9409079 11/1994 Germany .
WO 93/10947 6/1993 WIPO .
WO 96/01172 1/1996 WIPO .

Primary Examiner—Ted Shooman
Assistant Examiner—C Tuttle
Attorney, Agent, or Firm—Fish & Richardson P.C.

[57] CLAIM

The ornamental design for a razor blade cartridge, as shown and described.

[56] References Cited

U.S. PATENT DOCUMENTS

D. 243,638	3/1977	Poisson	D28/47
D. 248,577	7/1978	Byrne	D28/48
D. 270,383	8/1983	Gray	D28/47
D. 291,495	8/1987	Ciaffone	D28/47
D. 292,623	11/1987	Iten	D28/47
D. 298,068	10/1988	Gilder	D28/47
D. 314,249	1/1991	Bowman	D28/47
D. 322,689	12/1991	Jacobson et al.	D28/47
D. 322,690	12/1991	Jacobson et al.	D28/47
D. 327,336	6/1992	Chen	D28/47
4,411,065	10/1983	Trotta	.	
4,413,411	11/1983	Trotta	.	

DESCRIPTION

FIG. 1 is a perspective view of razor blade cartridge;
FIG. 2 is a top plan view thereof;
FIG. 3 is a front elevational view thereof;
FIG. 4 is a right side elevational view thereof, the left side elevation being a mirror image;
FIG. 5 is a rear elevational view thereof; and,
FIG. 6 is a bottom plan view.
The bottom surface structures shown in broken lines are for illustrative purposes only and form no part of the claimed design.

1 Claim, 6 Drawing Sheets

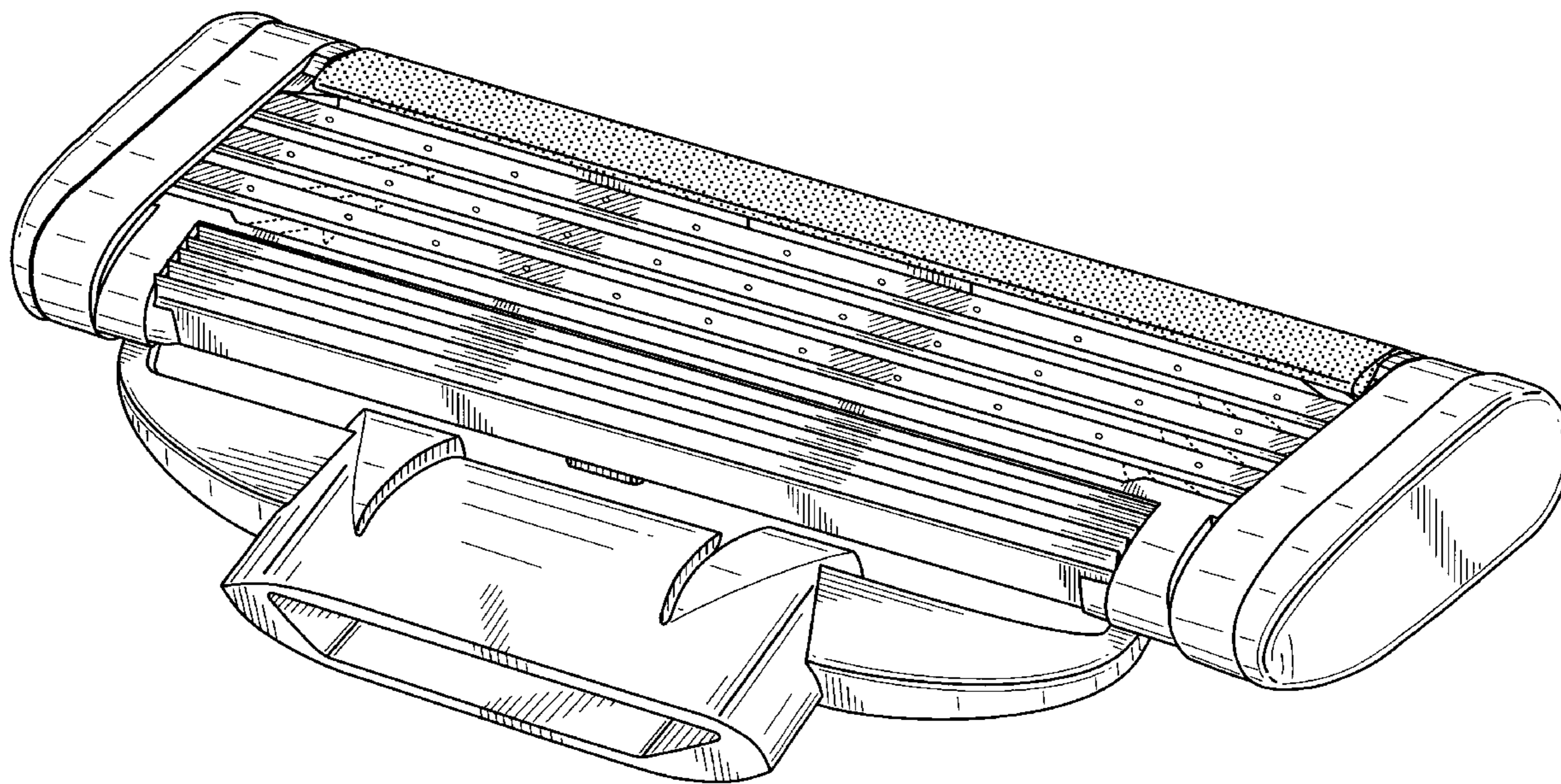


FIG. 1

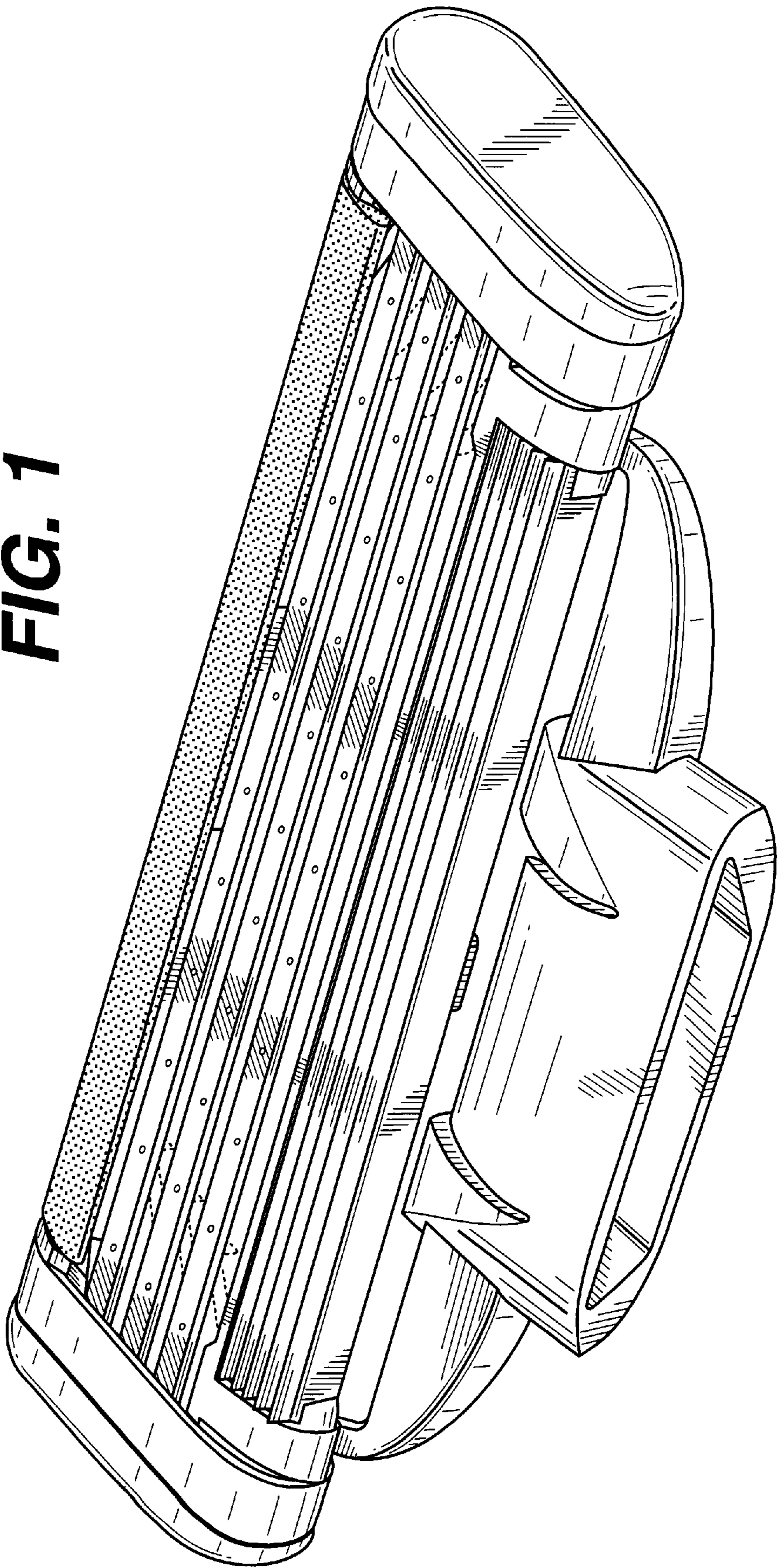


FIG. 2

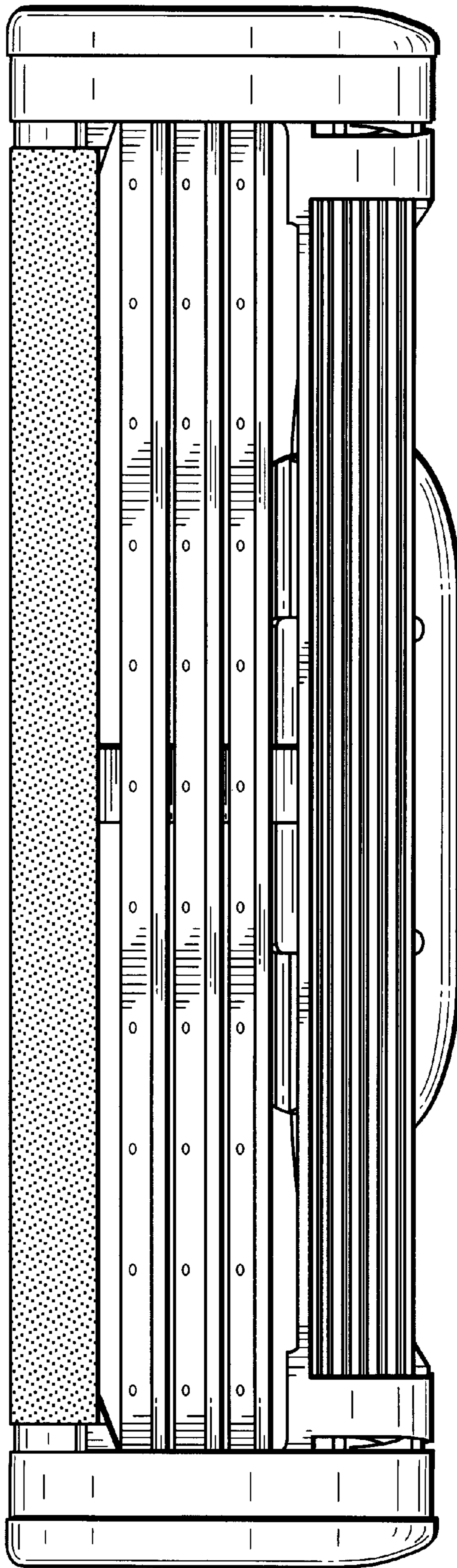


FIG. 3

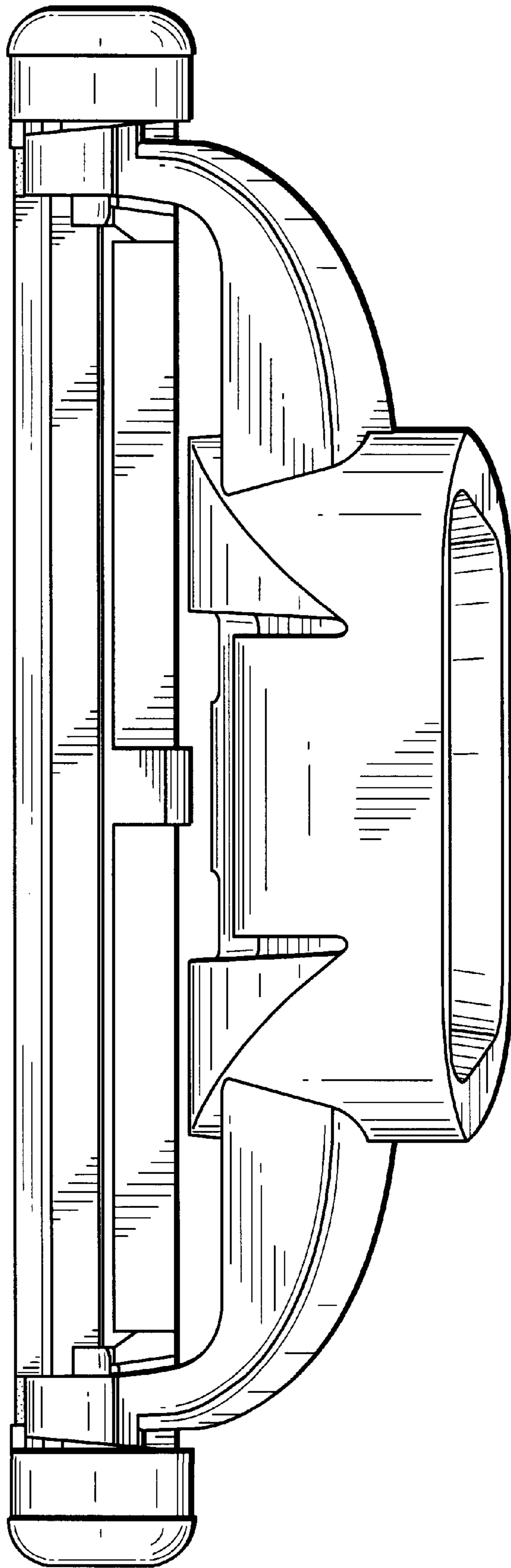


FIG. 4

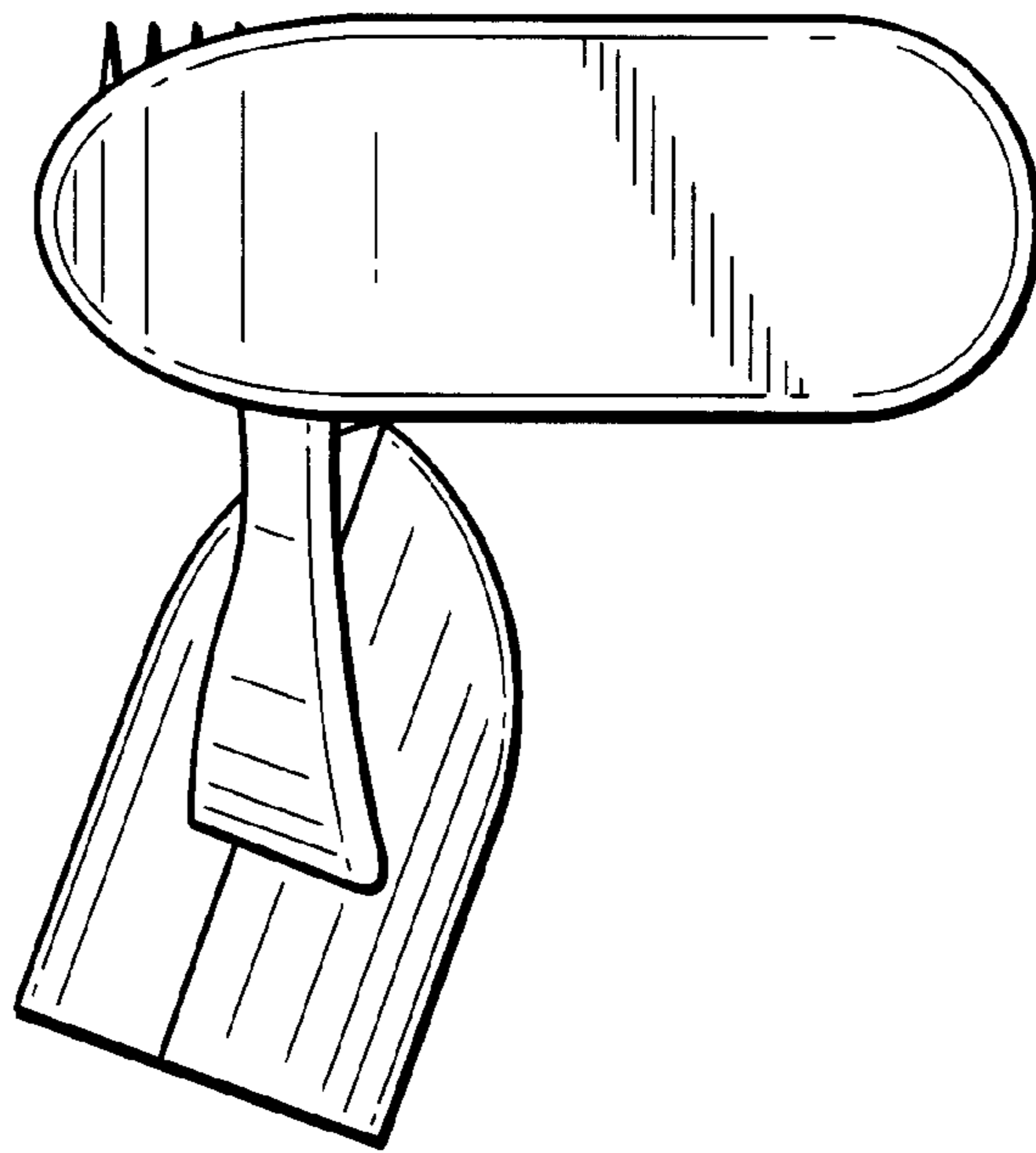


FIG. 5

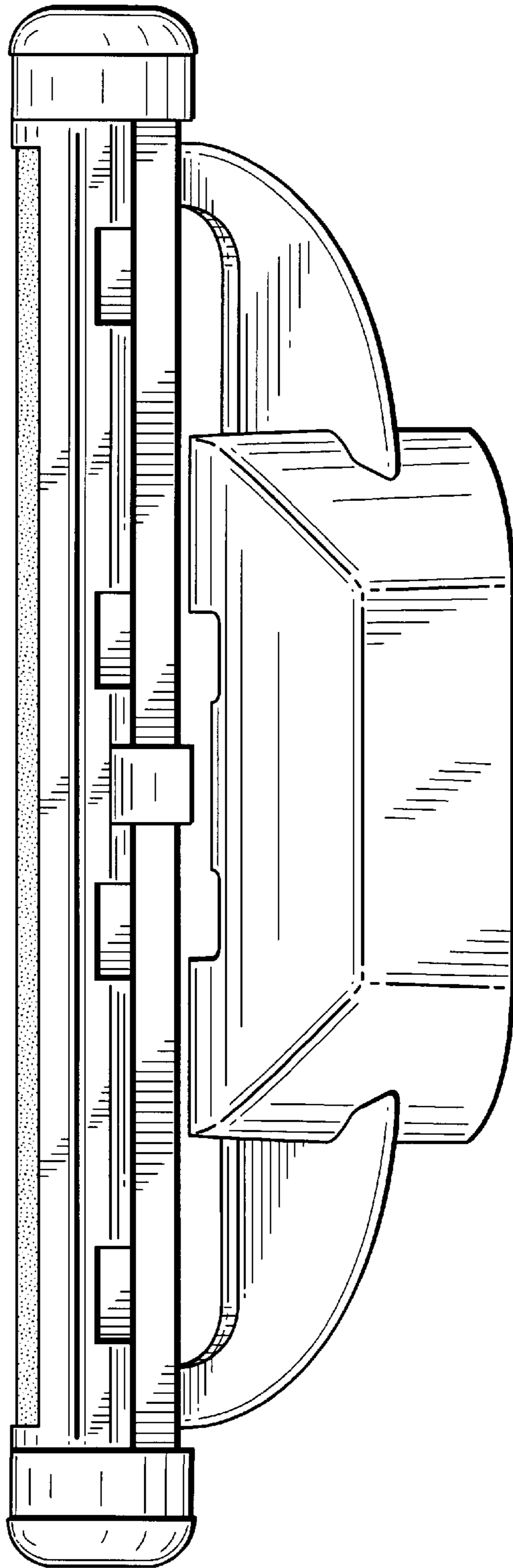


FIG. 6

