



US00D422747S

United States Patent [19]

[11] Patent Number: Des. 422,747

Evans

[45] Date of Patent: ** Apr. 11, 2000

[54] COMBINED PORTABLE STAND AND HOLDERS FOR CIGARS AND CIGARETTES

[76] Inventor: Antony C. Evans, 479 Wyndgate Rd., Sacramento, Calif. 95864

[**] Term: 14 Years

[21] Appl. No.: 29/103,148

[22] Filed: Apr. 7, 1999

Related U.S. Application Data

[62] Division of application No. 29/078,411, Oct. 15, 1997, Pat. No. Des. 411,034.

[51] LOC (6) Cl. 27-06

[52] U.S. Cl. D27/183; D3/7

[58] Field of Search 248/126, 127, 248/155, 155.1, 155.2, 155.4, 156; D27/172, 183; D8/1; D3/7, 17; 211/70.3; 131/259

[56] References Cited

U.S. PATENT DOCUMENTS

D. 54,727	3/1920	Eisenstein	D3/7
357,544	2/1887	Albright	D8/1
D. 360,248	7/1995	Wright	D21/234
731,291	6/1903	Dulin	248/155.1
2,690,211	9/1954	Wentz	248/155.1
2,800,164	7/1957	Chambers	248/155.1
3,584,821	6/1971	Glebe	248/156
5,588,448	12/1996	Photakis	131/259
5,597,363	1/1997	Leote	248/136 X

Primary Examiner—Susan J. Lucas
Assistant Examiner—Jennifer Rivard
Attorney, Agent, or Firm—Lothrop & West

[57] CLAIM

The ornamental design for a combined portable stand and holders for cigars and cigarettes, shown and described.

DESCRIPTION

FIG. 1 is a perspective view of a combined portable stand and holders for cigars and cigarettes, showing my new design;

FIG. 2 is a perspective view similar to FIG. 1 but with the dual holders in unfolded and fully extended position;

FIG. 3 is a top plan view with the holders in folded position; FIG. 4 is a bottom plan view with the holders in folded position;

FIG. 5 is a top plan view with the holders in unfolded and fully extended position;

FIG. 6 is a bottom plan view with the holders in unfolded and fully extended position;

FIG. 7 is a front elevational view of the upper portion, to an enlarged scale and with the holders in unfolded and fully extended position, the lower portion of the figure being broken away to reduce the extent of the figure and being illustrated in FIG. 13, the rear elevational view being a mirror image;

FIG. 8 is a front elevational view of the upper portion, to an enlarged scale and with the holders in folded position, the lower portion of the figure being broken away to reduce the extent of the figure and being illustrated in FIG. 11, the rear elevational view being a mirror image;

FIG. 9 is an elevational view of one side of the upper portion, to an enlarged scale and with the holders in folded position, the lower portion of the figure being broken away to reduce the extent of the figure and being illustrated in FIG. 12, the undisclosed side being a mirror image;

FIG. 10 is a side elevational view comparable to FIG. 9 but with the holders in unfolded and fully extended position, the lower portion being illustrated in FIG. 14, and the undisclosed side being a mirror image;

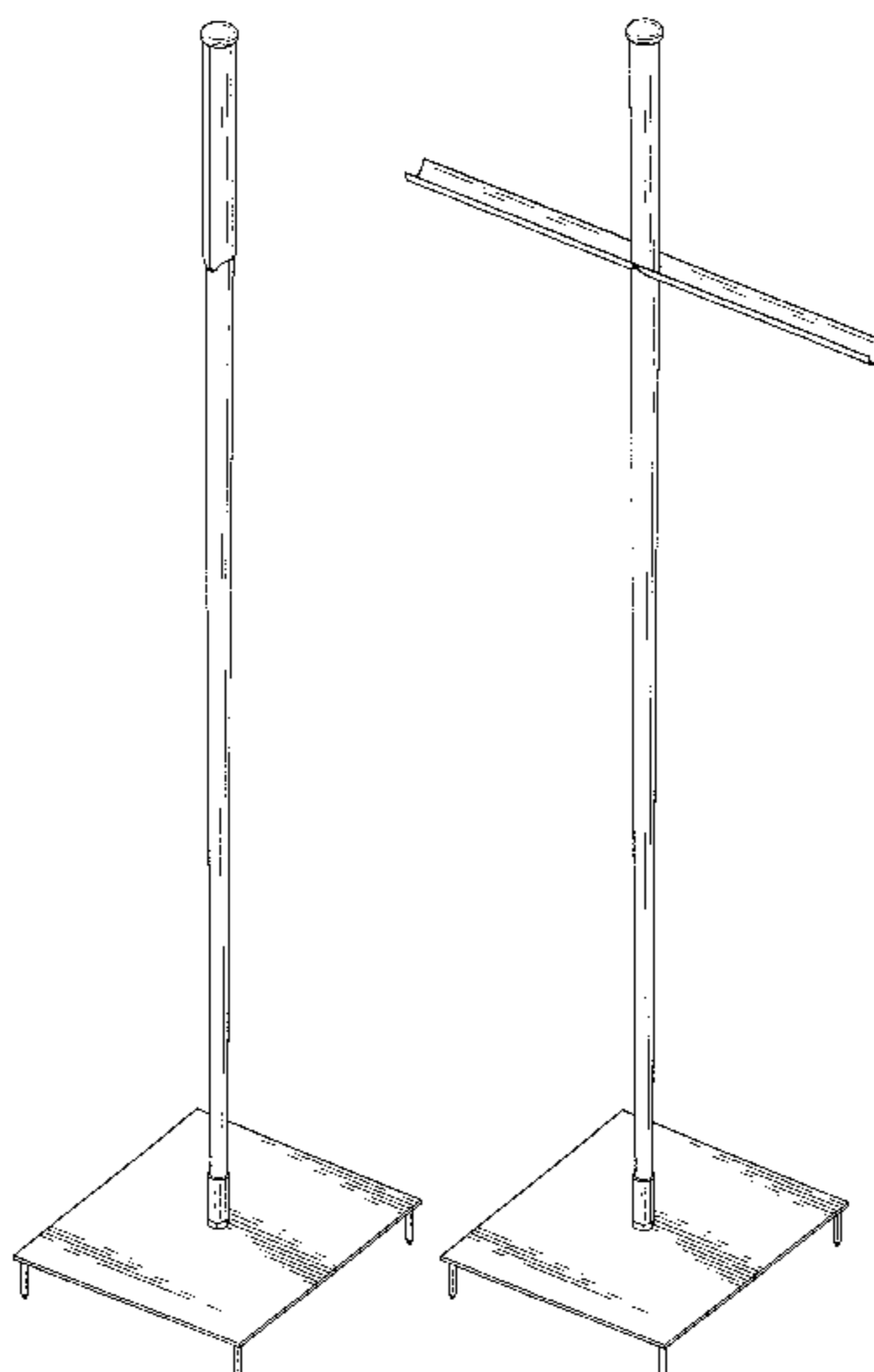
FIG. 11 is a front elevation of the lower portion broken away from the upper portion shown in FIG. 8, the rear elevation being a mirror image;

FIG. 12 is a side elevation of the lower portion broken away from the upper portion shown in FIG. 9, the undisclosed side being a mirror image;

FIG. 13 is a front elevation of the lower portion broken away from the upper portion shown in FIG. 7, the rear elevation being a mirror image; and,

FIG. 14 is a side elevation of the lower portion broken away from the upper portion shown in FIG. 10, the undisclosed side being a mirror image.

1 Claim, 5 Drawing Sheets



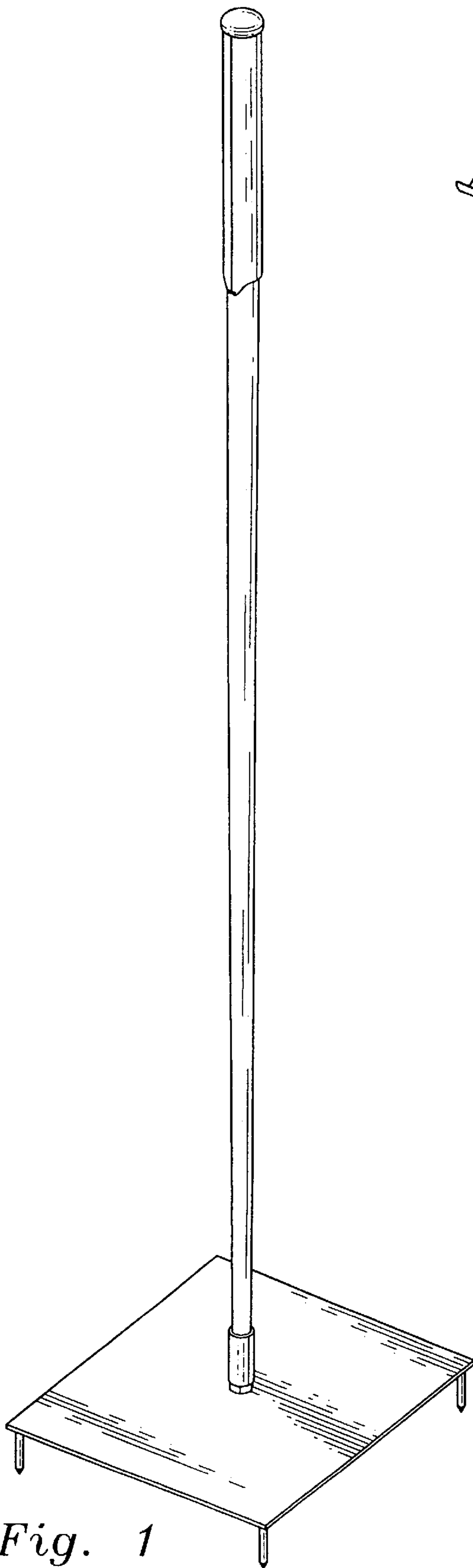


Fig. 1

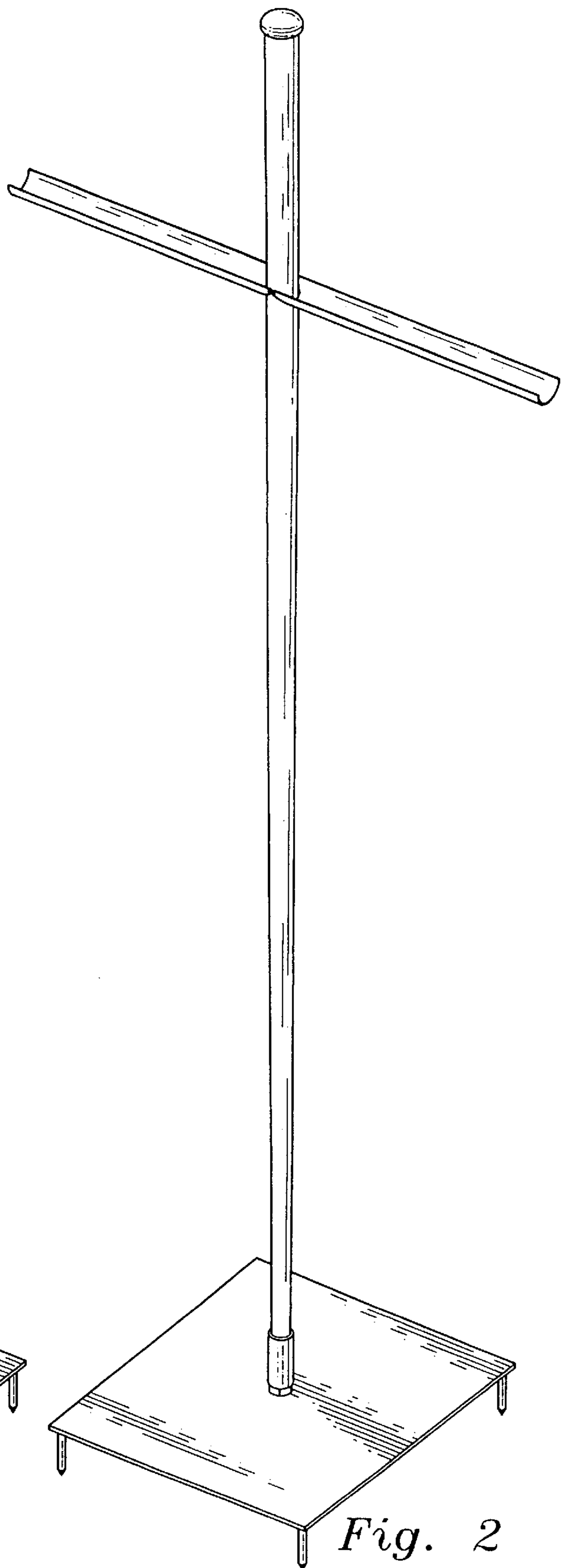


Fig. 2

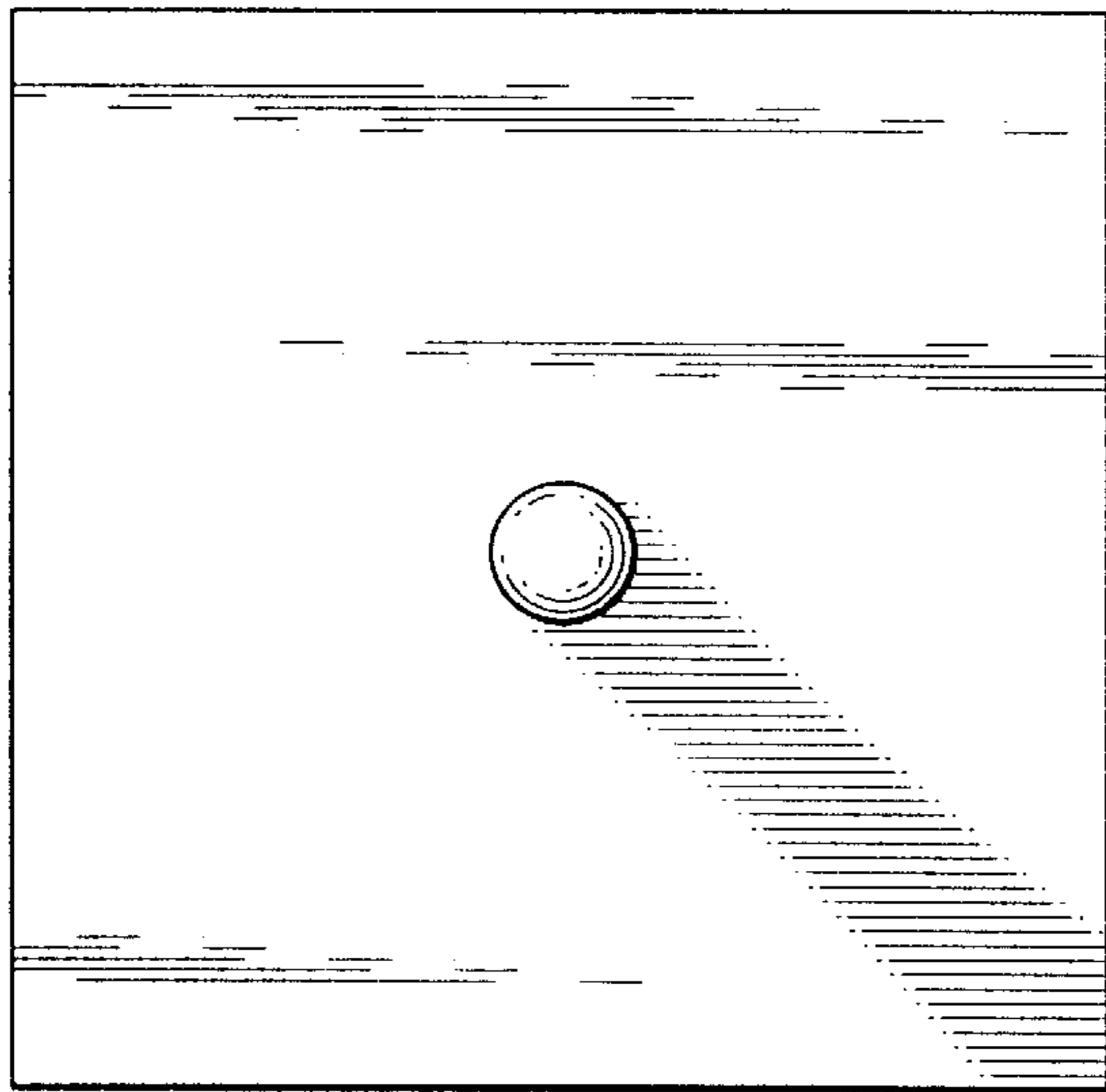


Fig. 3

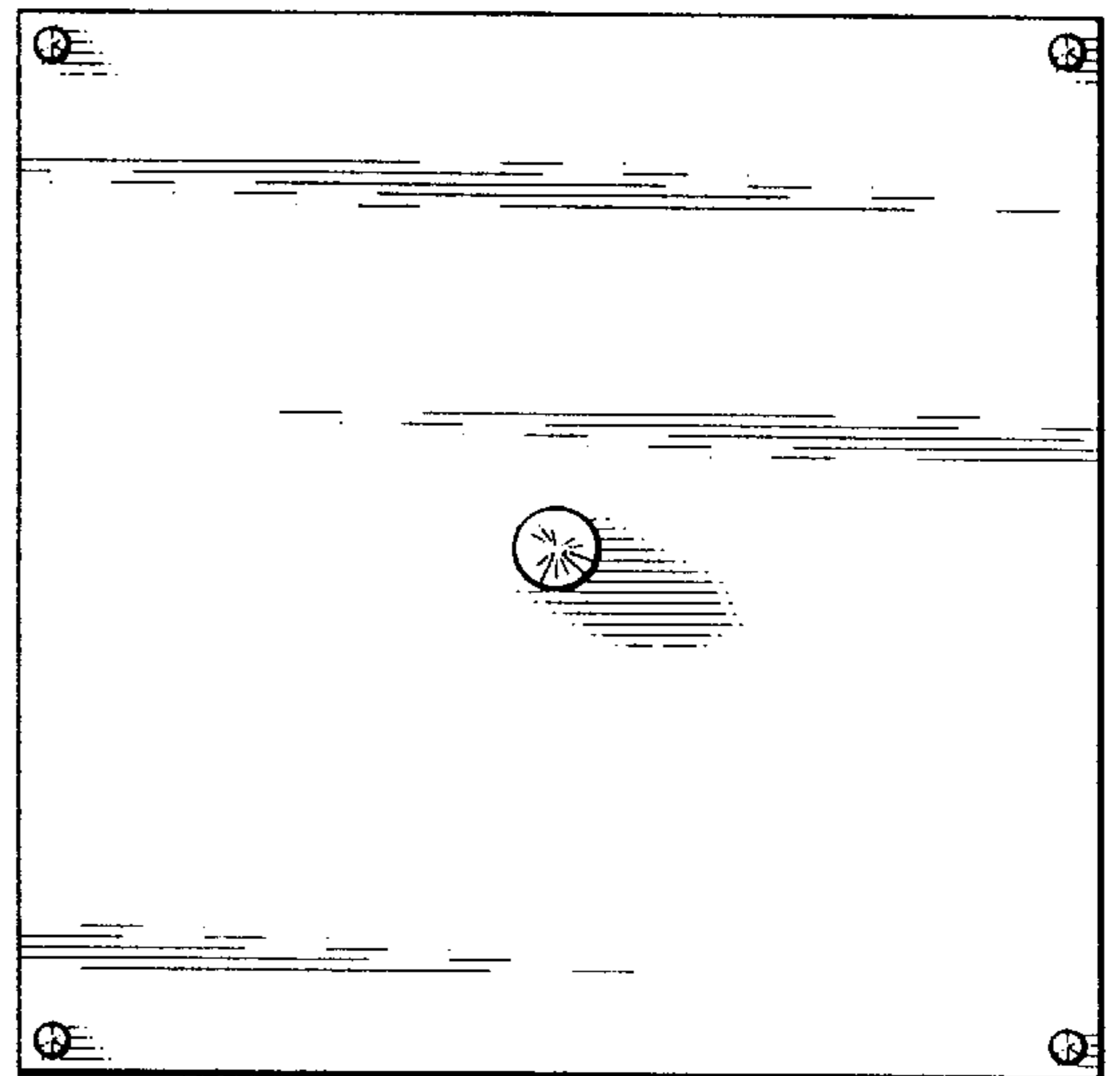


Fig. 4

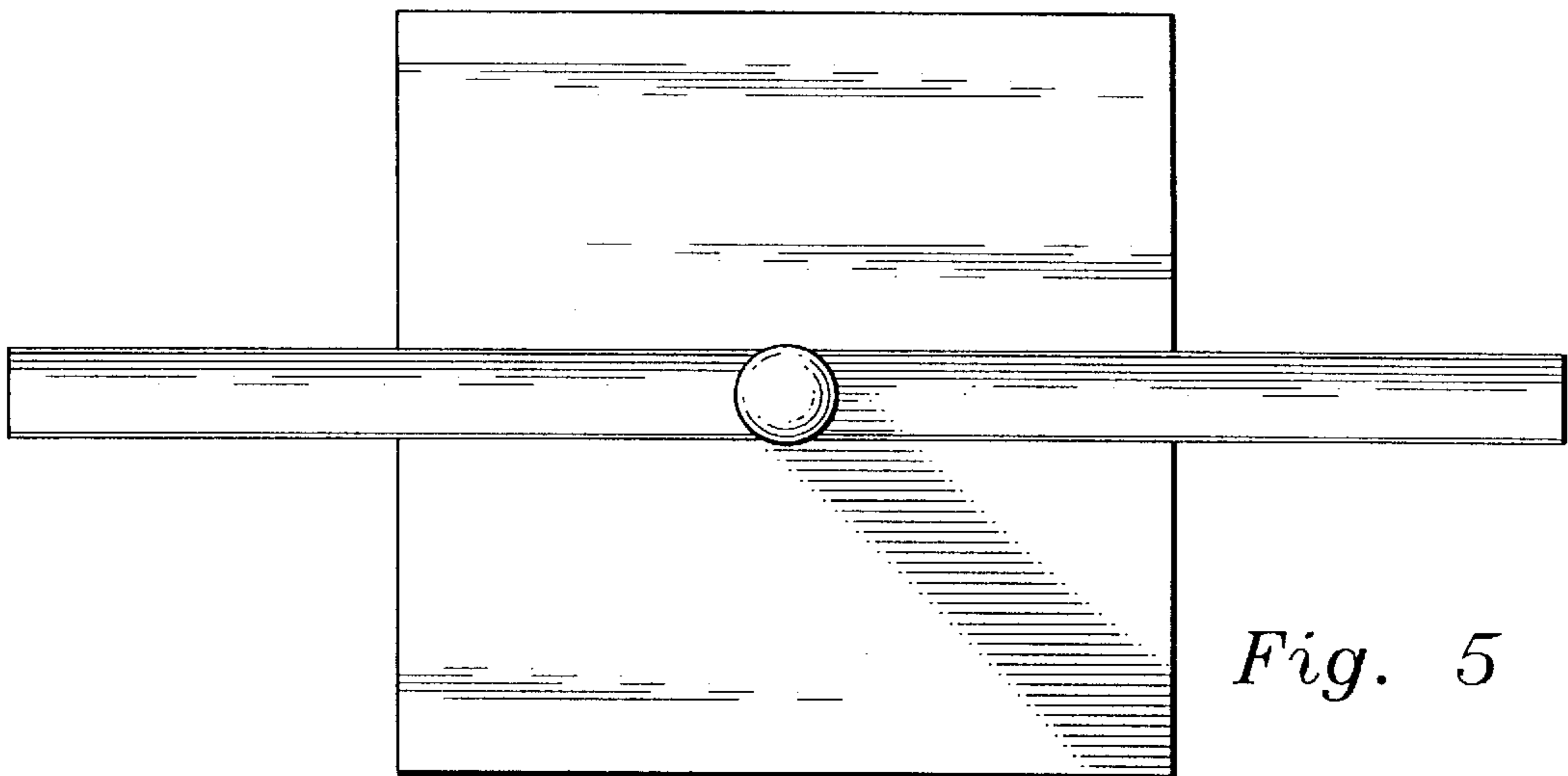


Fig. 5

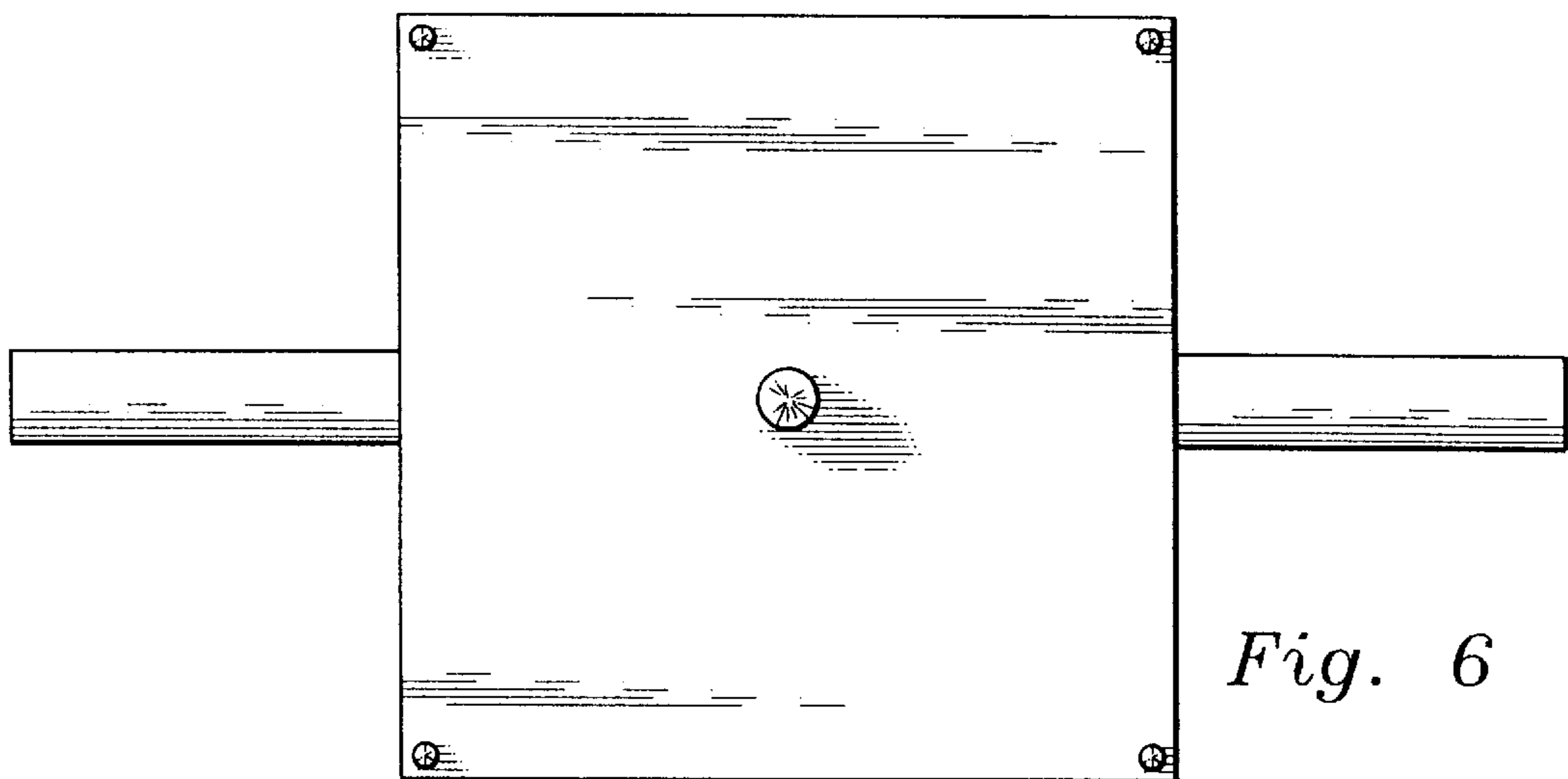


Fig. 6

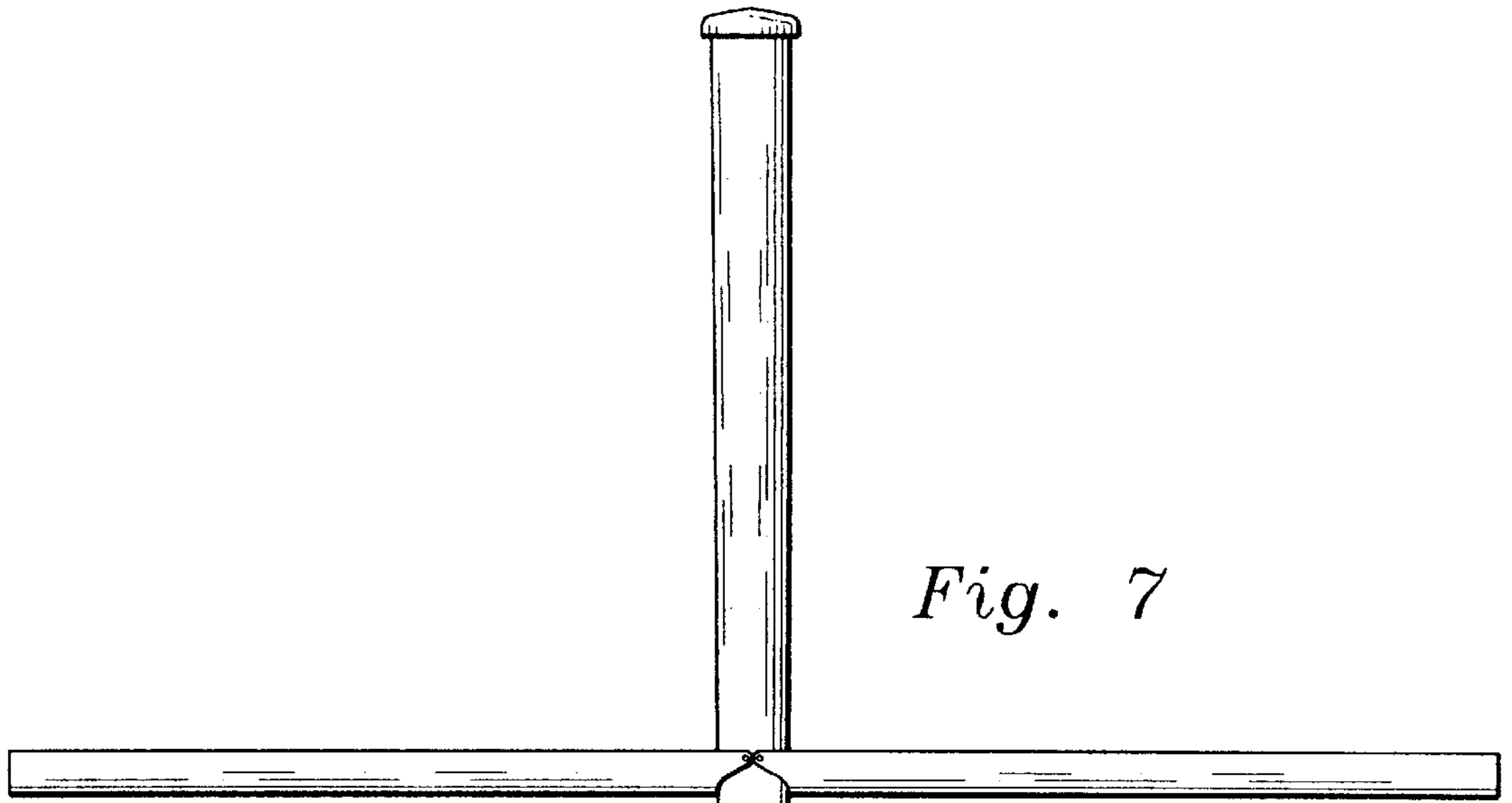


Fig. 7



Fig. 8



Fig. 9

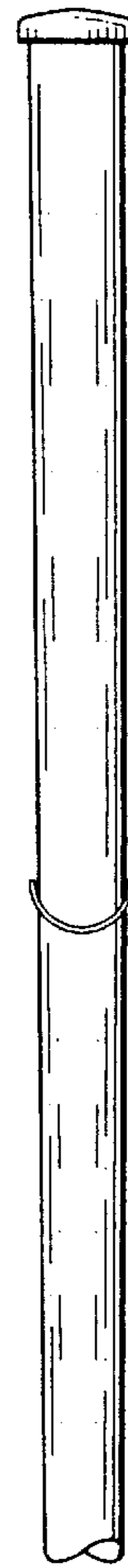


Fig. 10

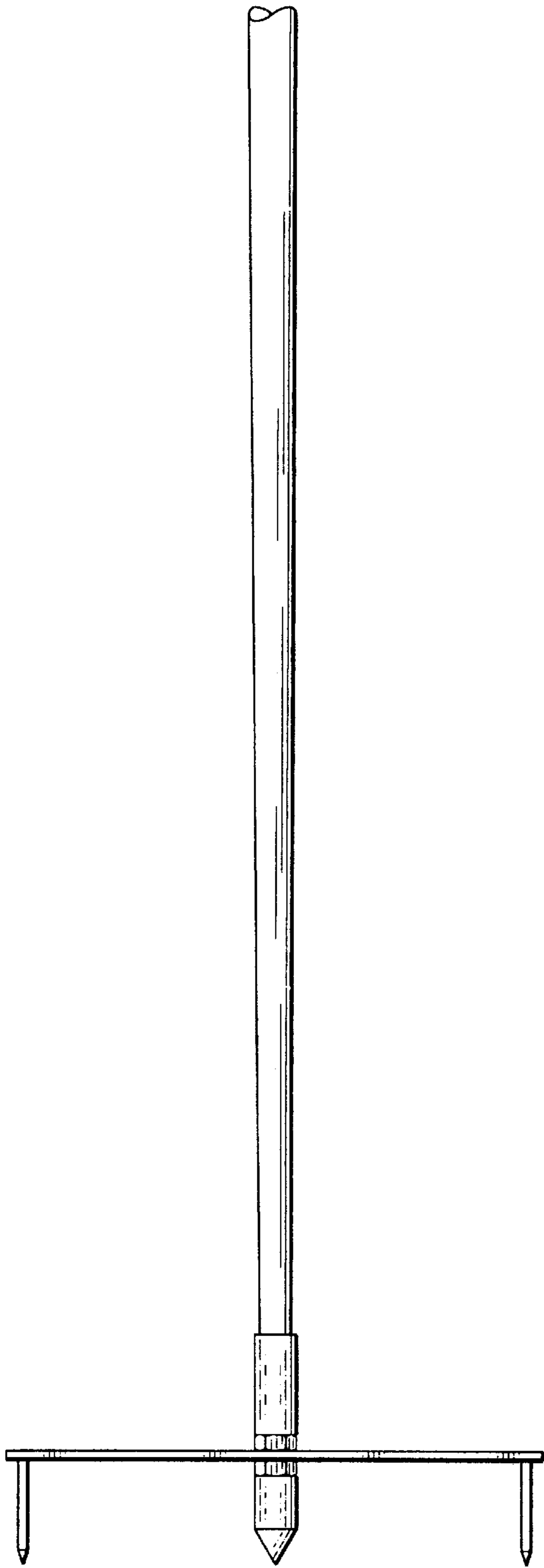


Fig. 11

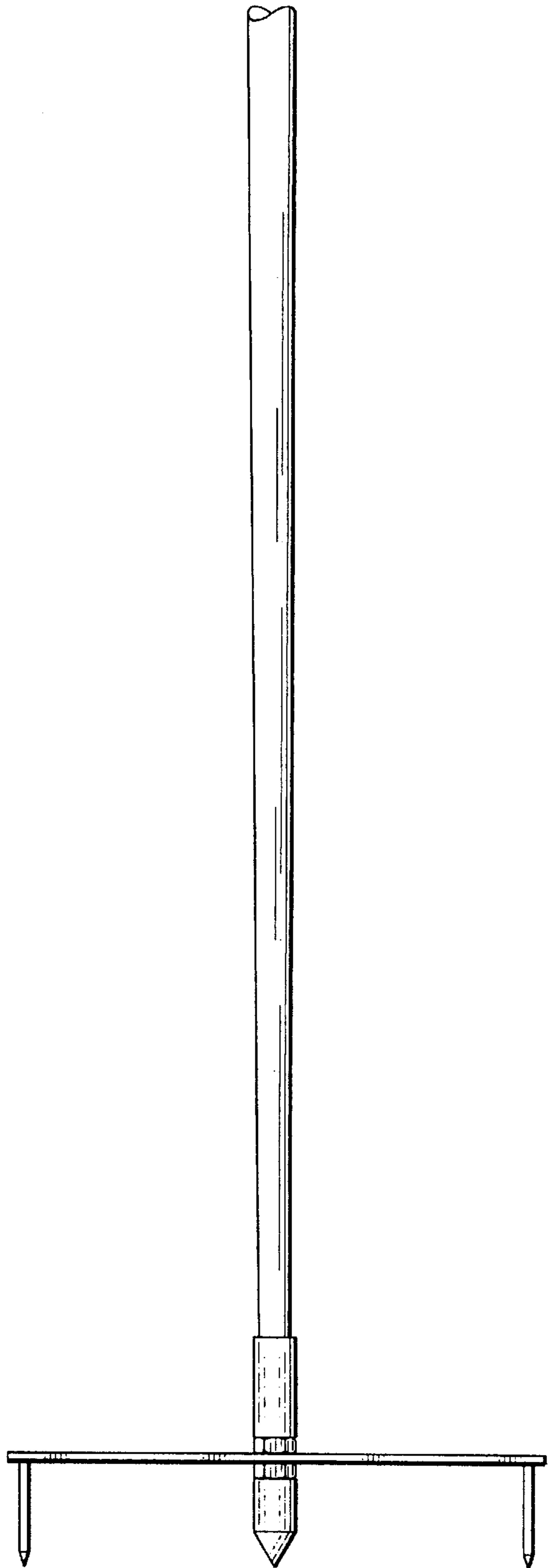


Fig. 12

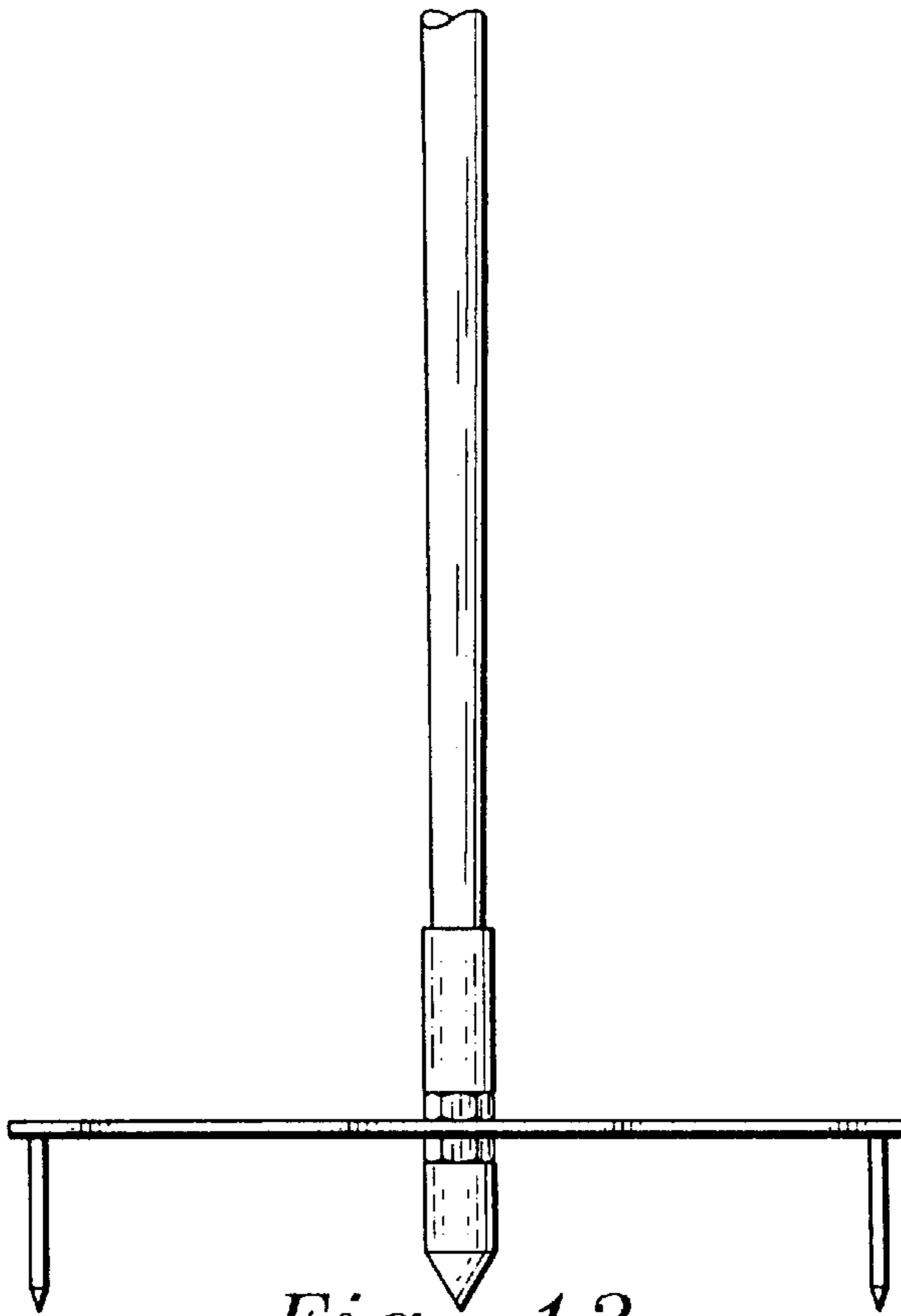


Fig. 13

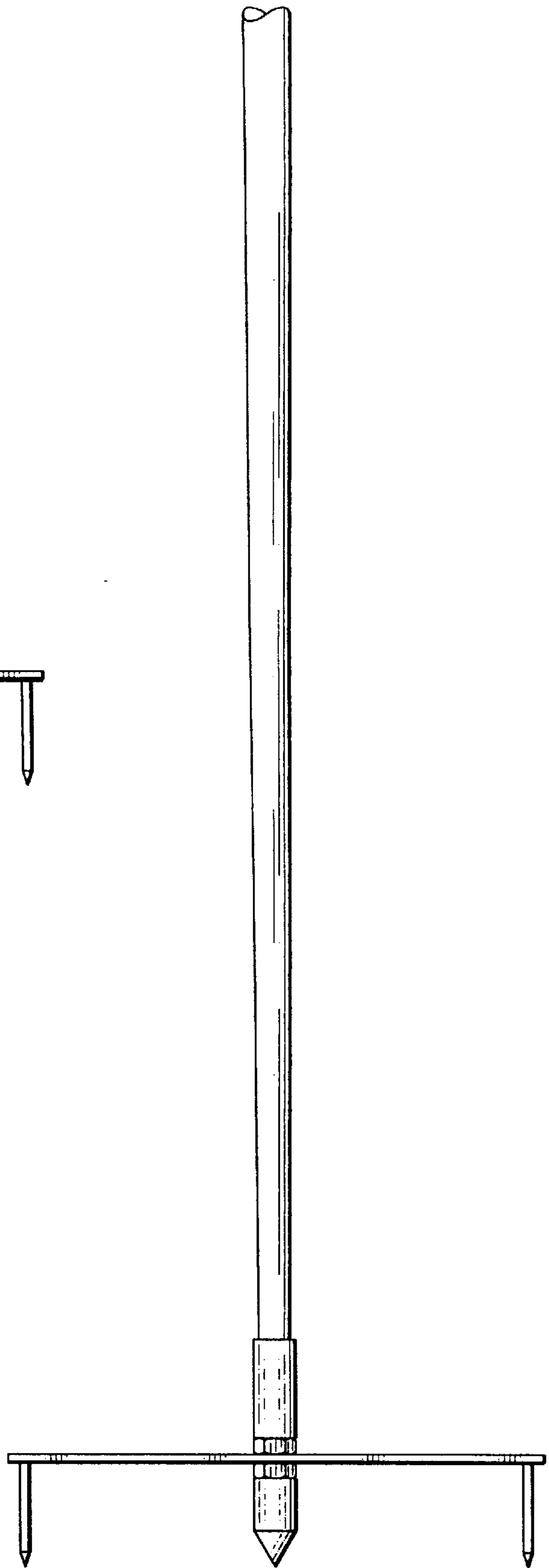


Fig. 14