



US00D422746S

# United States Patent [19] Lopez

[11] **Patent Number: Des. 422,746**

[45] **Date of Patent: \*\* Apr. 11, 2000**

[54] **FITTER FOR LIGHT FIXTURE**

OTHER PUBLICATIONS

[75] Inventor: **Luis Esteban Lopez**, Manises, Spain

Edwin F. Guth Co. lighting catalog, p. 34, Feb. 1930.

[73] Assignee: **Davoil, Inc.**, Fort Worth, Tex.

*Primary Examiner*—Susan J. Lucas  
*Attorney, Agent, or Firm*—Felsman, Bradley, Vaden, Gunter & Dillon

[\*\*] Term: **14 Years**

[21] Appl. No.: **29/089,828**

[57] **CLAIM**

[22] Filed: **Jun. 24, 1998**

The ornamental design for a fitter for light fixture, as shown and described.

[51] **LOC (6) Cl.** ..... **26-99**

**DESCRIPTION**

[52] **U.S. Cl.** ..... **D26/142; D26/88**

[58] **Field of Search** ..... D26/72, 73, 80-92,  
D26/142, 152, 154; 362/147, 404-408,  
432

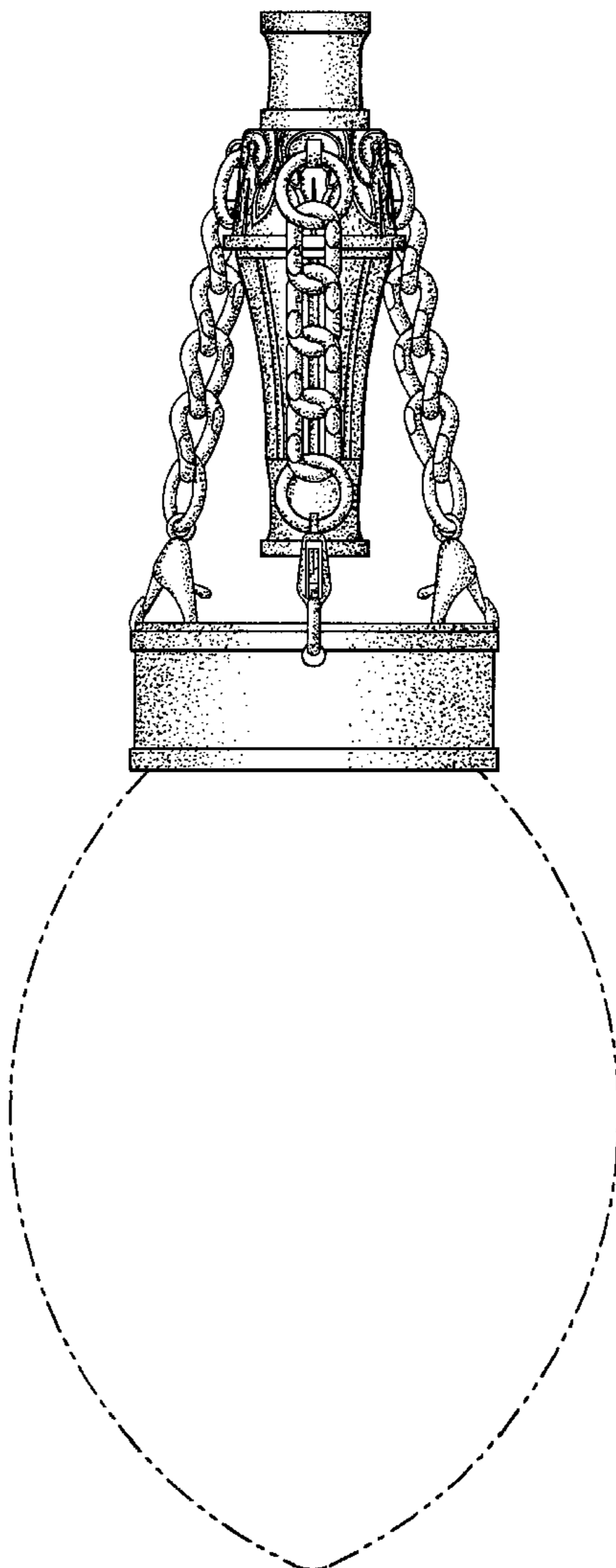
FIG. 1 is a front view of the fitter for light fixture, wherein two additional views offset by 120° are identical therewith; FIG. 2 is a top view of the fitter for light fixture; FIG. 3 is a side view of the fitter for light fixture offset by 60° from the front view, wherein two additional views offset from FIG. 3 by 120° are identical therewith; and, FIG. 4 is a bottom view of the fitter for light fixture. The broken lines shown in the drawings are for illustrative purposes only and forms no part of the claimed design.

[56] **References Cited**

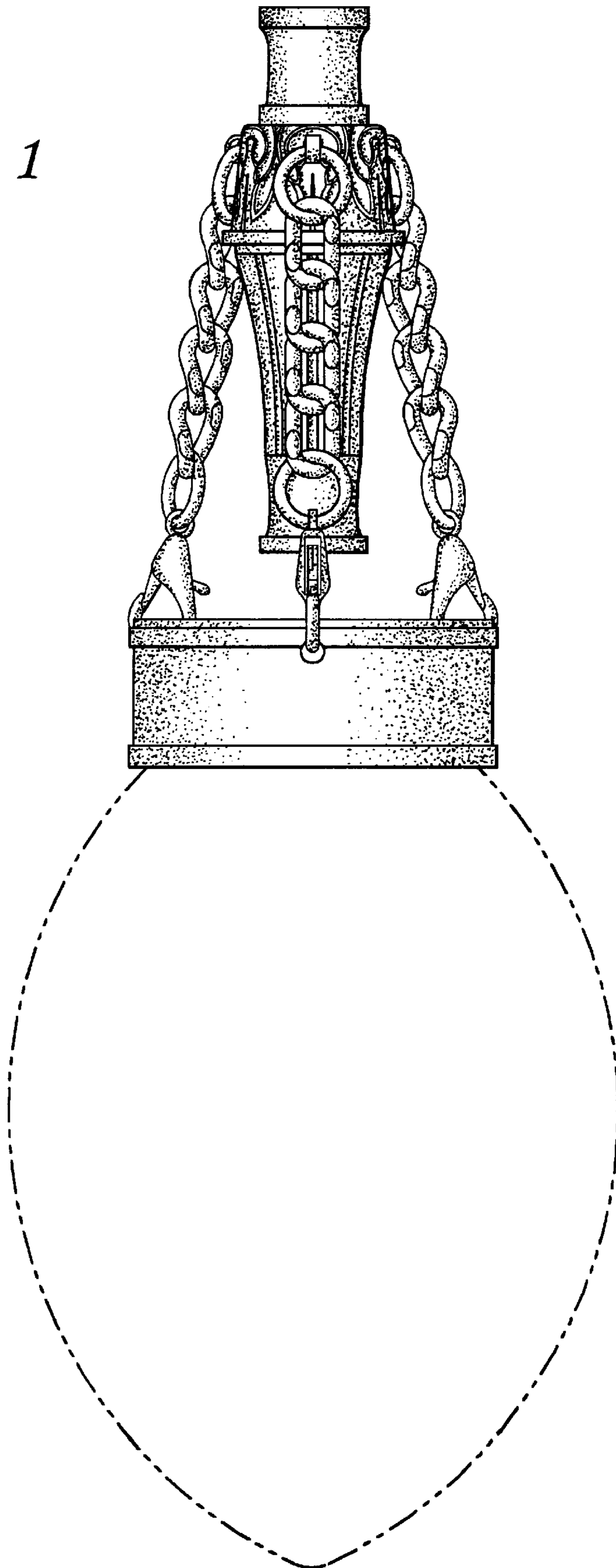
**U.S. PATENT DOCUMENTS**

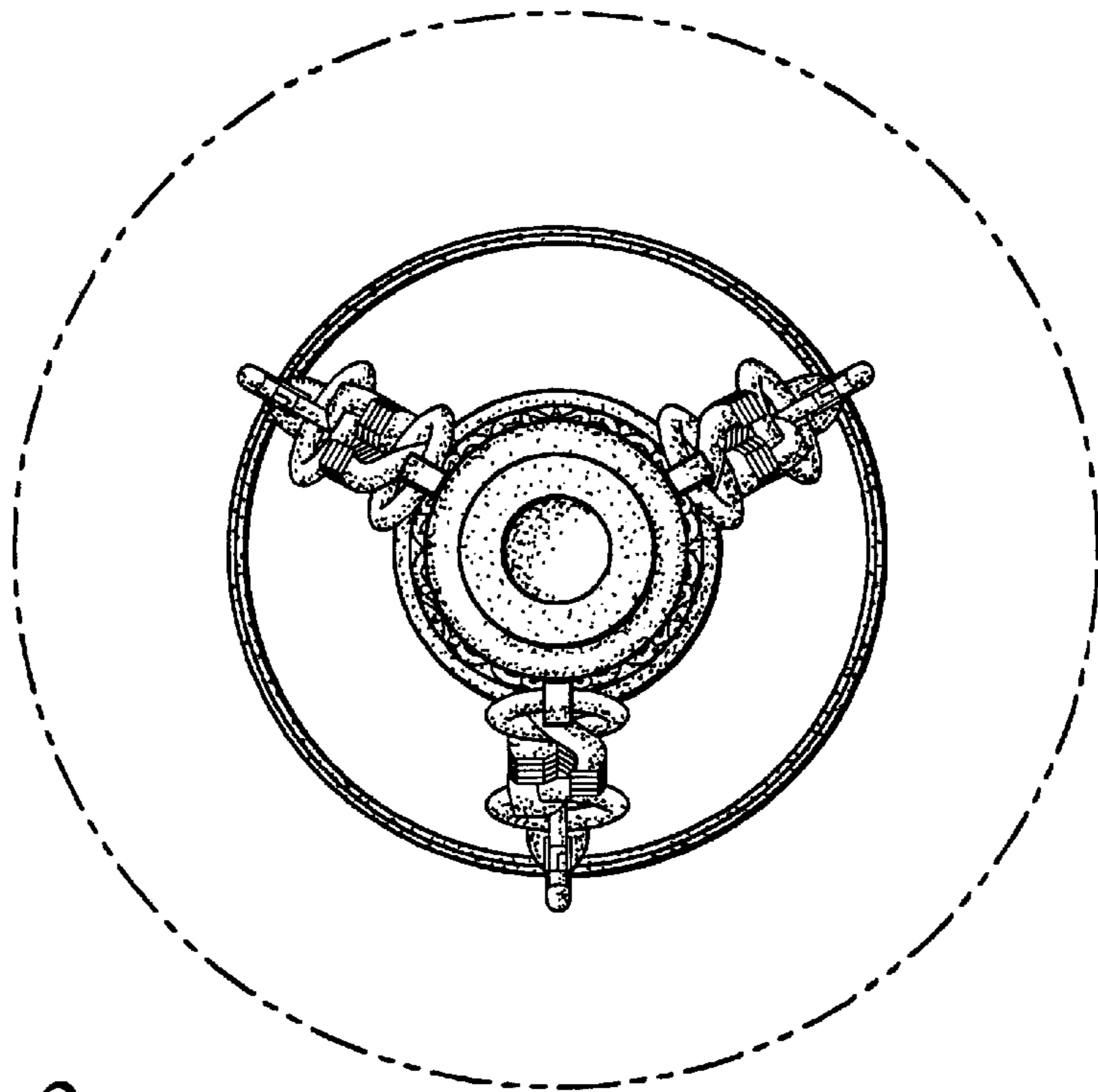
D. 45,635	4/1914	Humphrey	.....	D26/88
D. 66,571	2/1925	Krause	.....	D26/88
D. 79,043	7/1929	Ohm	.....	D26/81
D. 403,459	12/1998	Dolan	.....	D26/88

**1 Claim, 3 Drawing Sheets**

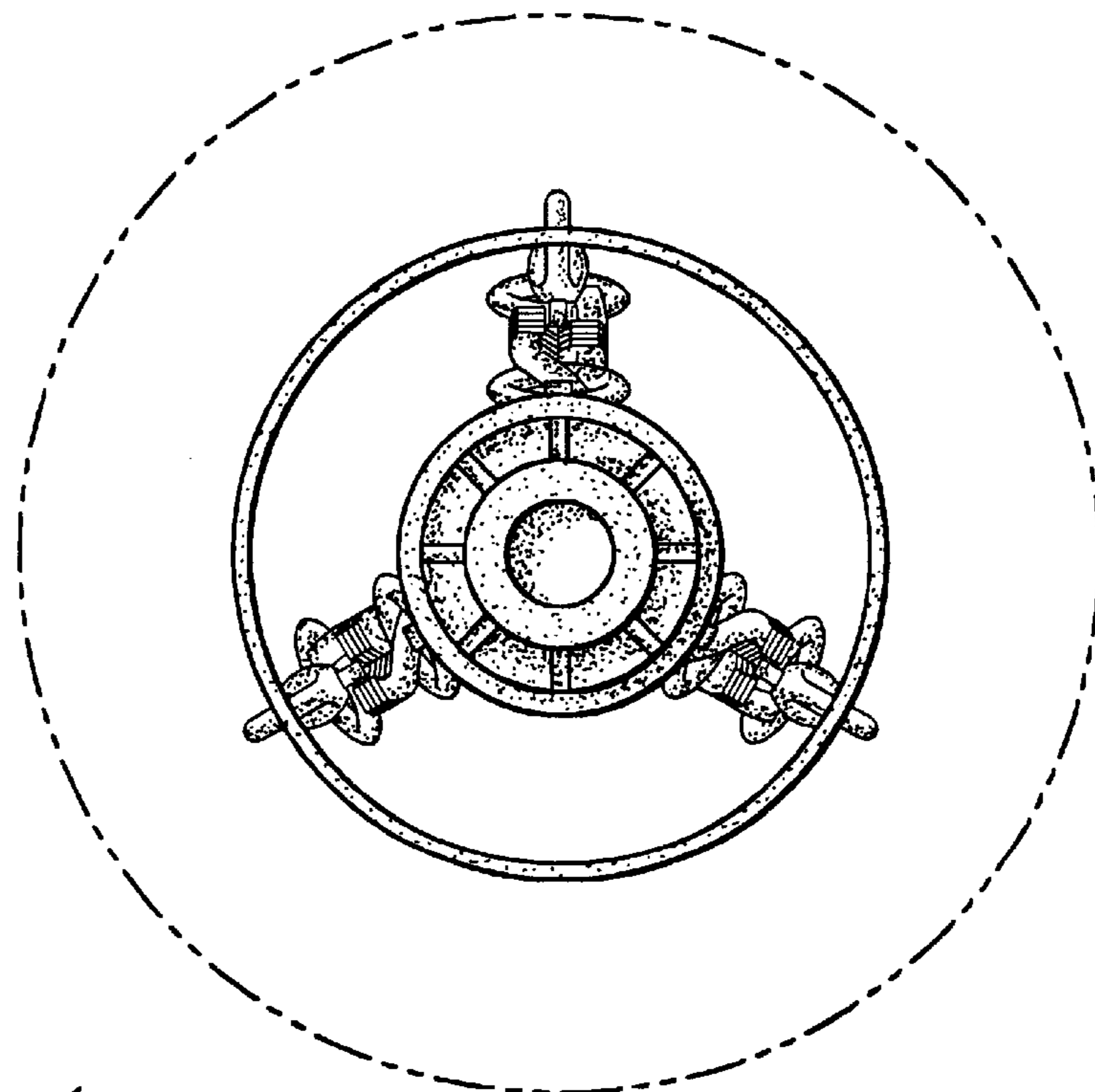


*Fig. 1*





*Fig. 2*



*Fig. 4*

*Fig. 3*

