



US00D422745S

United States Patent [19]
Losole, III

[11] **Patent Number: Des. 422,745**

[45] **Date of Patent: ** Apr. 11, 2000**

[54] **ORNAMENTAL LIGHT HOLDER**

4,577,053 3/1986 Kies 403/305

[76] Inventor: **Donald C. Losole, III**, 13720 "B" St.,
Omaha, Nebr. 68144

Primary Examiner—Holly Baynham
Attorney, Agent, or Firm—Zarley, McKee, Thomte,
Voorhees & Sease; Dennis L. Thomte

[**] Term: **14 Years**

[57] **CLAIM**

[21] Appl. No.: **29/102,861**

I claim the ornamental design for an ornamental light holder,
as shown and described.

[22] Filed: **Apr. 2, 1999**

DESCRIPTION

[51] **LOC (6) Cl.** **26-99**

[52] **U.S. Cl.** **D26/138**

[58] **Field of Search** D26/138; D8/382,
D8/356; 24/115 R, 16 R; 403/304-305,
308

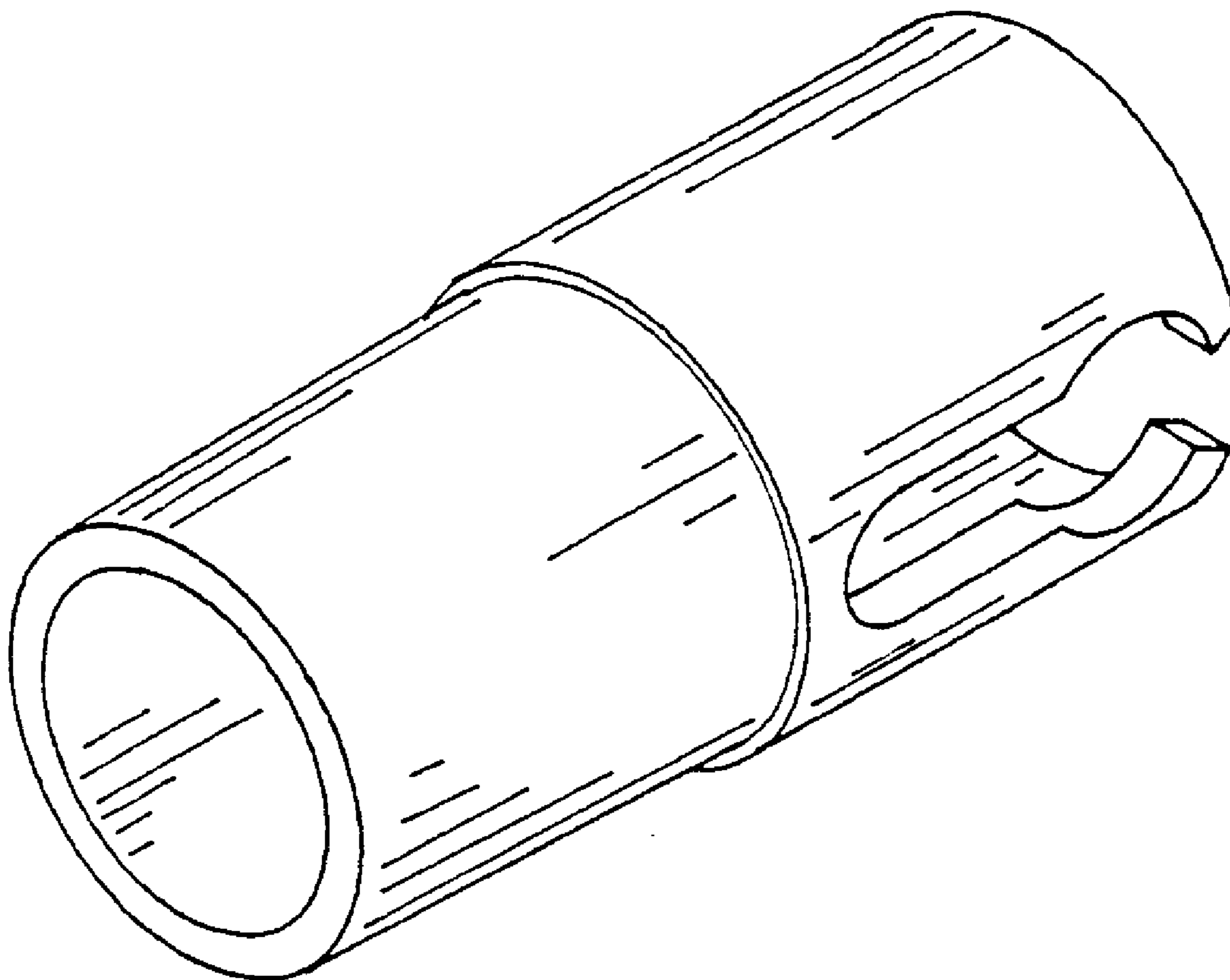
FIG. 1 is a perspective view of the ornamental light holder;
FIG. 2 is a rear elevational view thereof;
FIG. 3 is an elevational view thereof taken from the right
side of FIG. 2;
FIG. 4 is a front elevational view thereof; and,
FIG. 5 is a top view thereof.

[56] **References Cited**

U.S. PATENT DOCUMENTS

3,006,983 10/1961 McDurmont 403/305

1 Claim, 1 Drawing Sheet



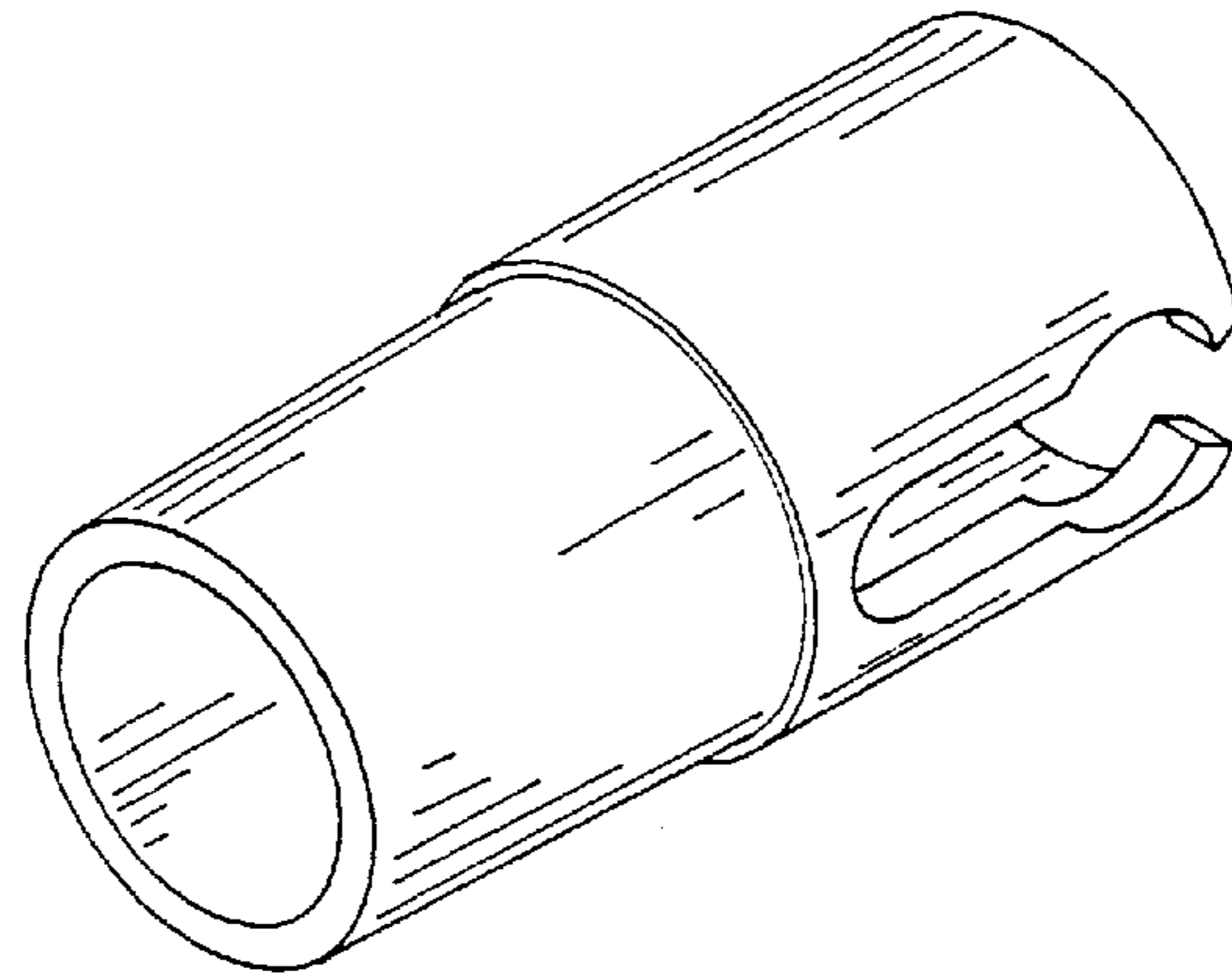


FIG. 1

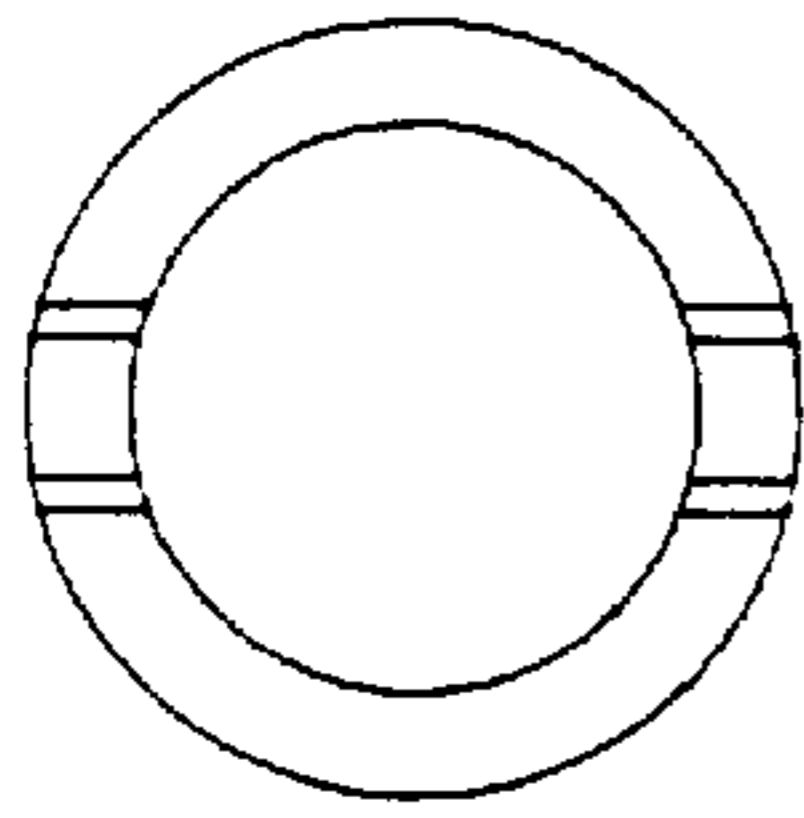


FIG. 2

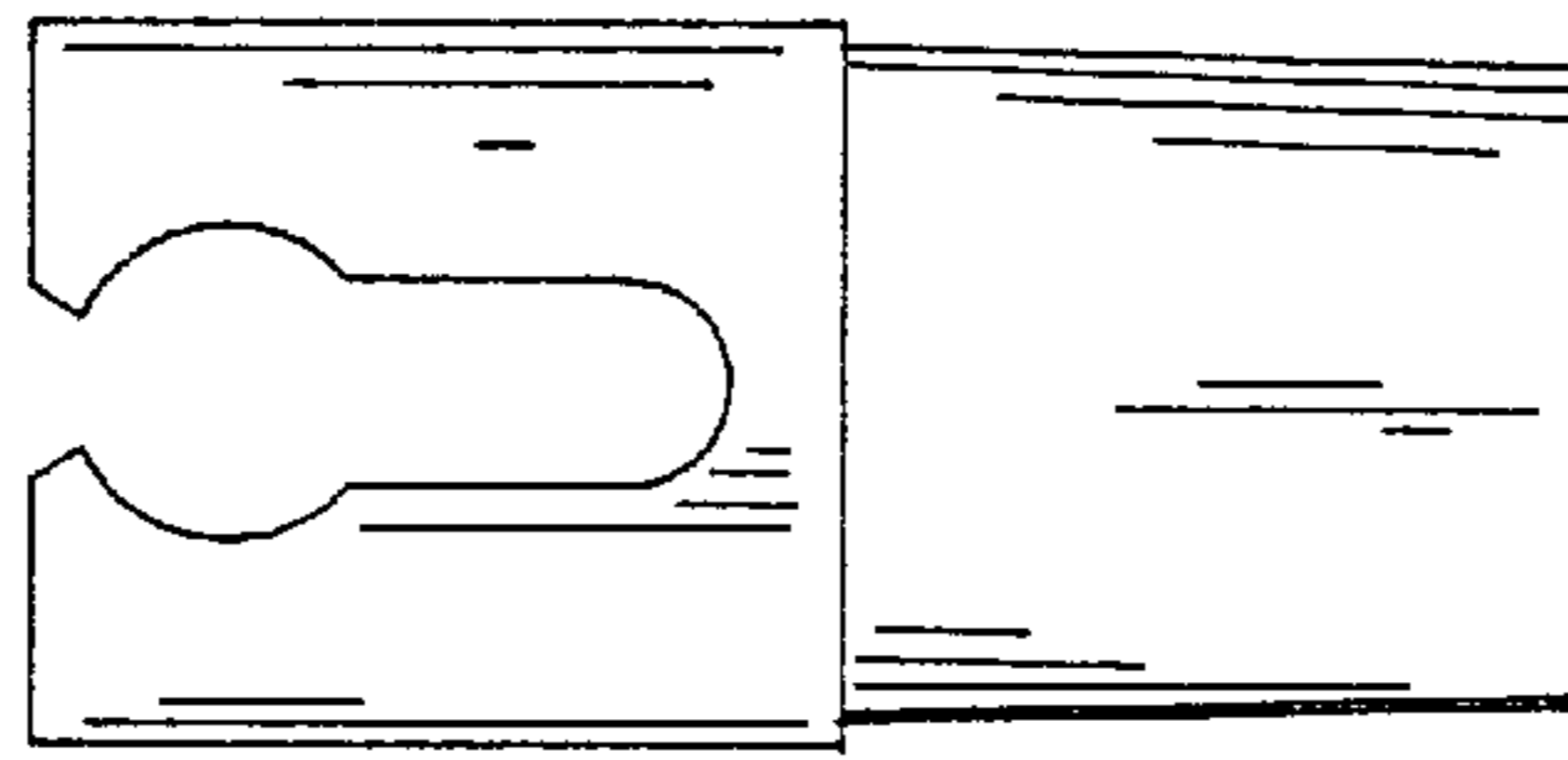


FIG. 3

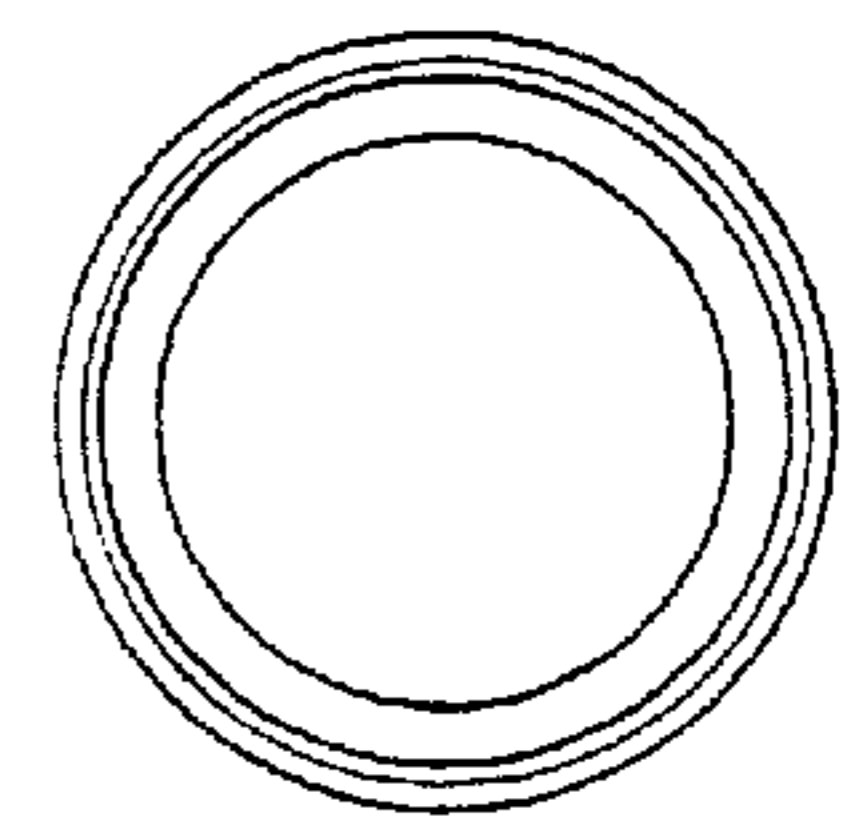


FIG. 4

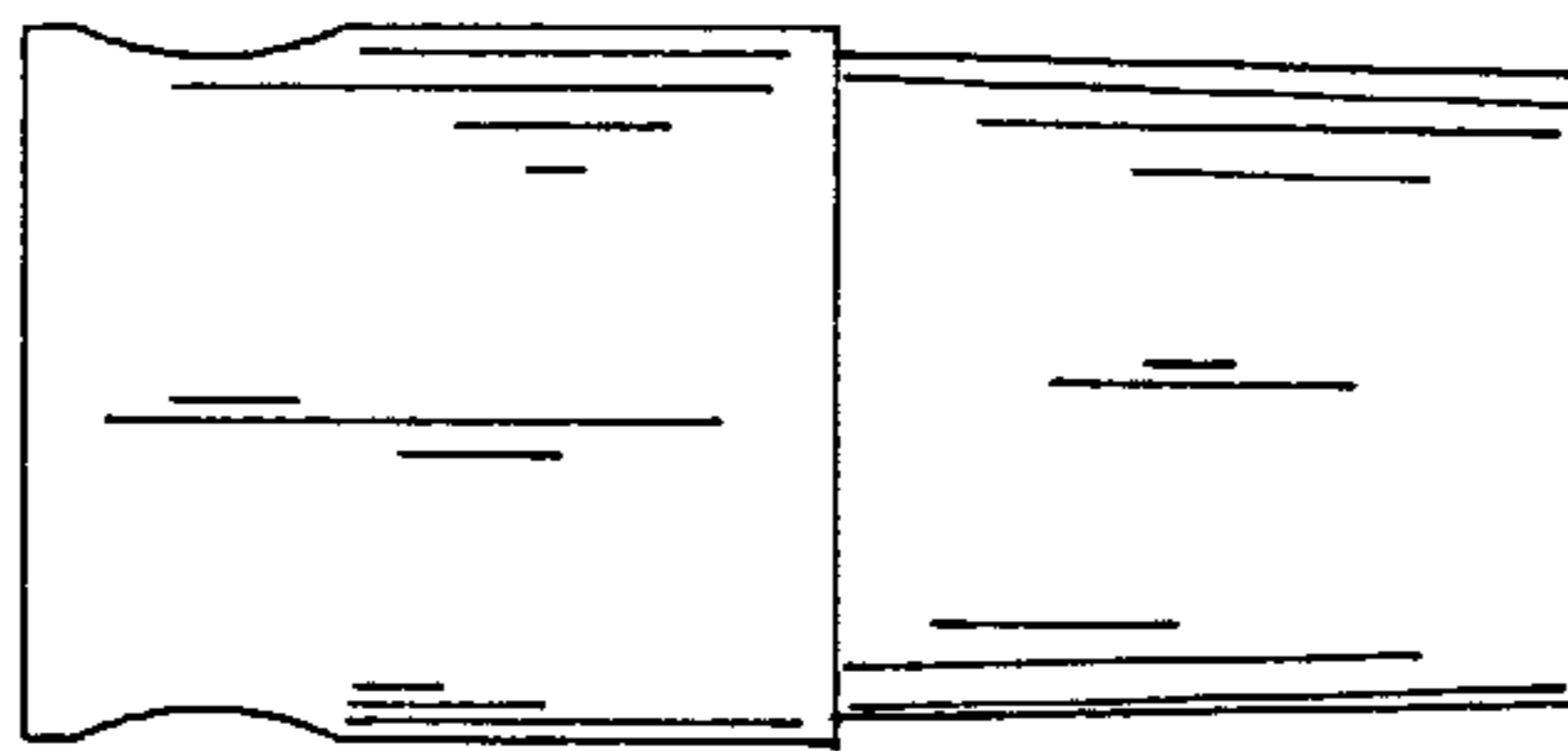


FIG. 5