



US00D422744S

**United States Patent** [19]  
**Losole, III**

[11] **Patent Number: Des. 422,744**  
[45] **Date of Patent: \*\* Apr. 11, 2000**

[54] **ORNAMENTAL LIGHT HOLDER**

*Primary Examiner—Holly Baynham*  
*Attorney, Agent, or Firm—Zarley, McKee, Thomte*  
*Voorhees & Sease; Dennis L. Thomte*

[76] Inventor: **Donald C. Losole, III**, 13720 "B" St.,  
Omaha, Nebr. 68144

[\*\*] Term: **14 Years**

[57] **CLAIM**

[21] Appl. No.: **29/102,860**

I claim the ornamental design for an ornamental light holder,  
as shown and described.

[22] Filed: **Apr. 2, 1999**

**DESCRIPTION**

[51] **LOC (6) Cl.** ..... **26-99**

FIG. 1 is a perspective view of the ornamental light holder;  
FIG. 2 is a top view thereof;

[52] **U.S. Cl.** ..... **D26/138**

FIG. 3 is a front elevational view thereof;  
FIG. 4 is an elevational view thereof taken from the right  
side of FIG. 3;

[58] **Field of Search** ..... D26/138; D8/382,  
D8/356; 24/115 R, 16 R; 403/304-305,  
308

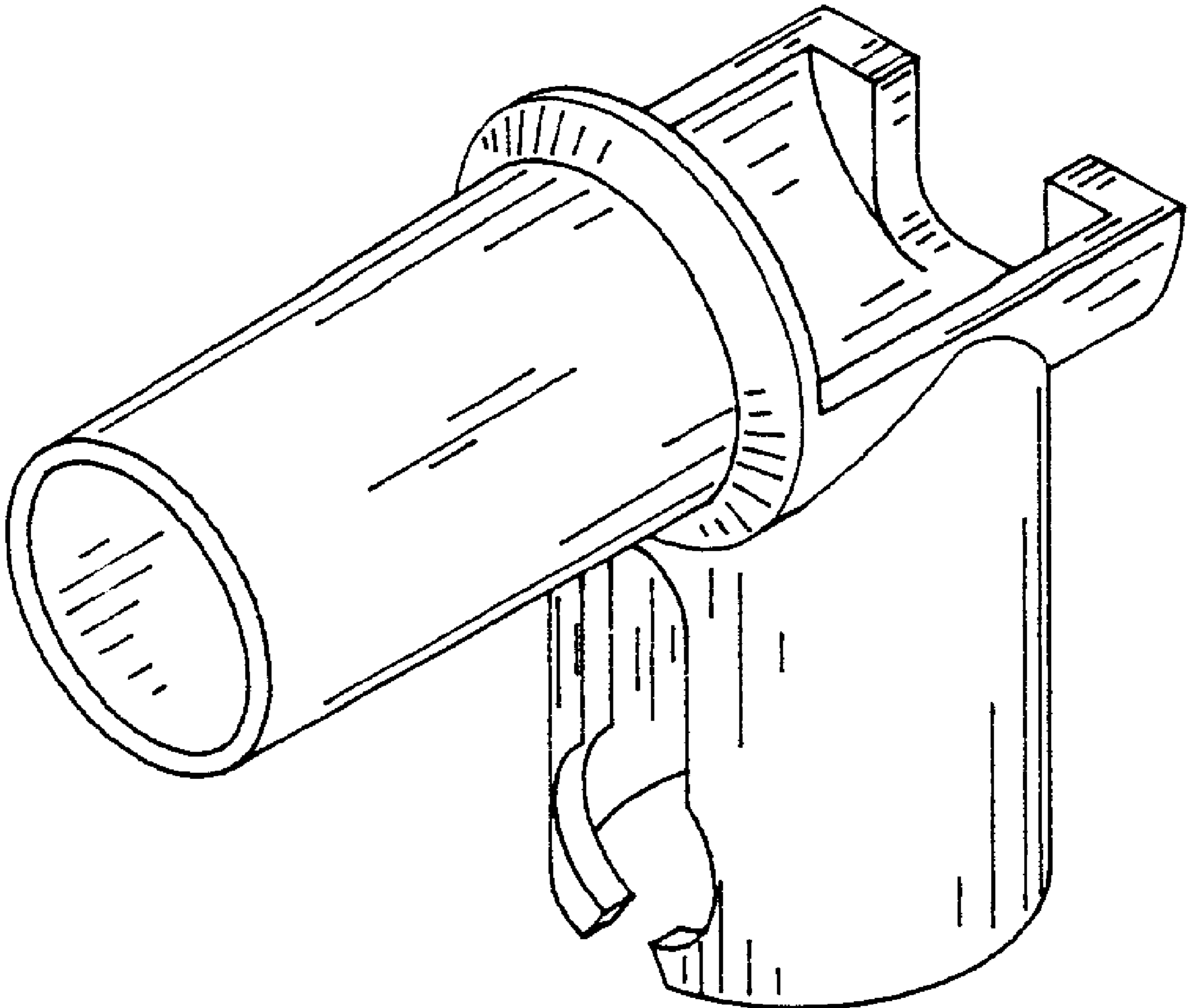
FIG. 5 is a rear elevational view thereof; and,  
FIG. 6 is a bottom view thereof.

[56] **References Cited**

**U.S. PATENT DOCUMENTS**

D. 374,812 10/1996 Hirano et al. .... D8/382

**1 Claim, 1 Drawing Sheet**



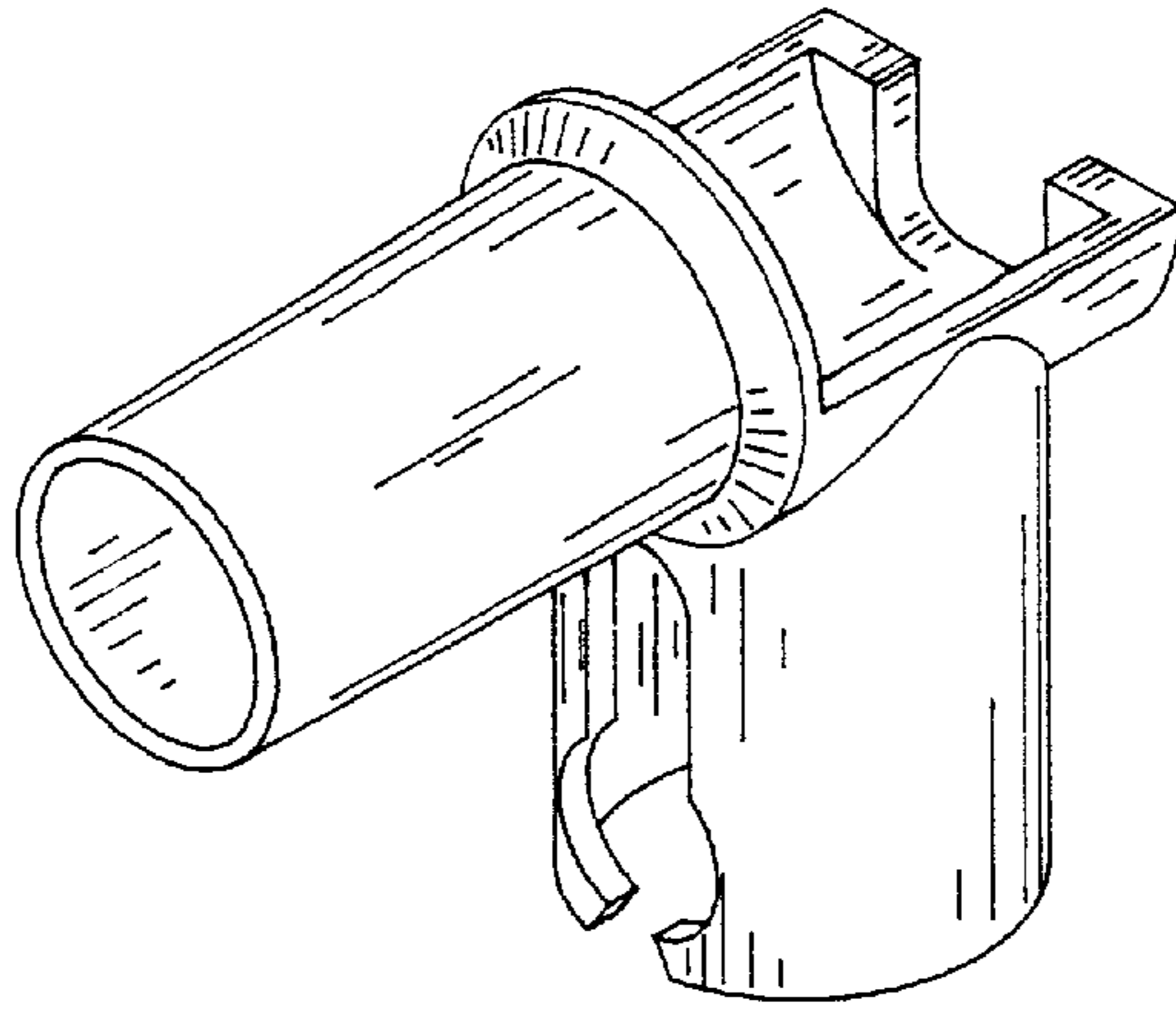


FIG. 1

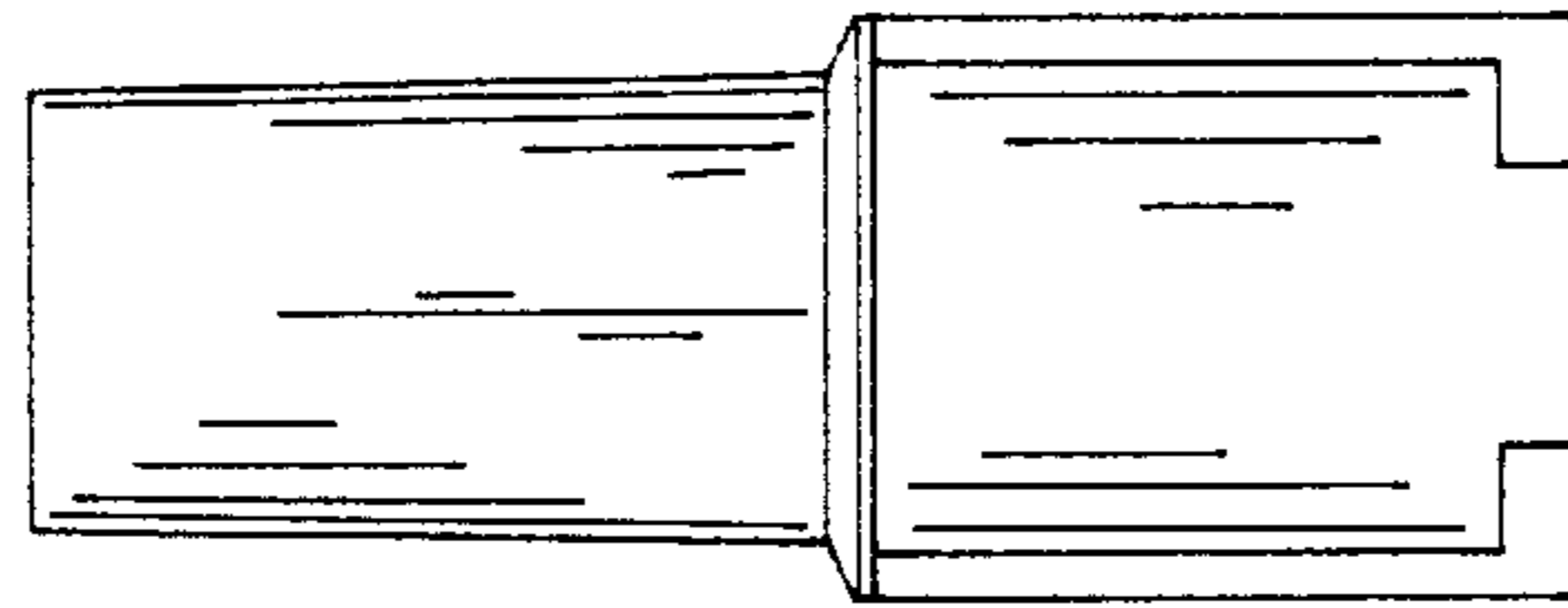


FIG. 2

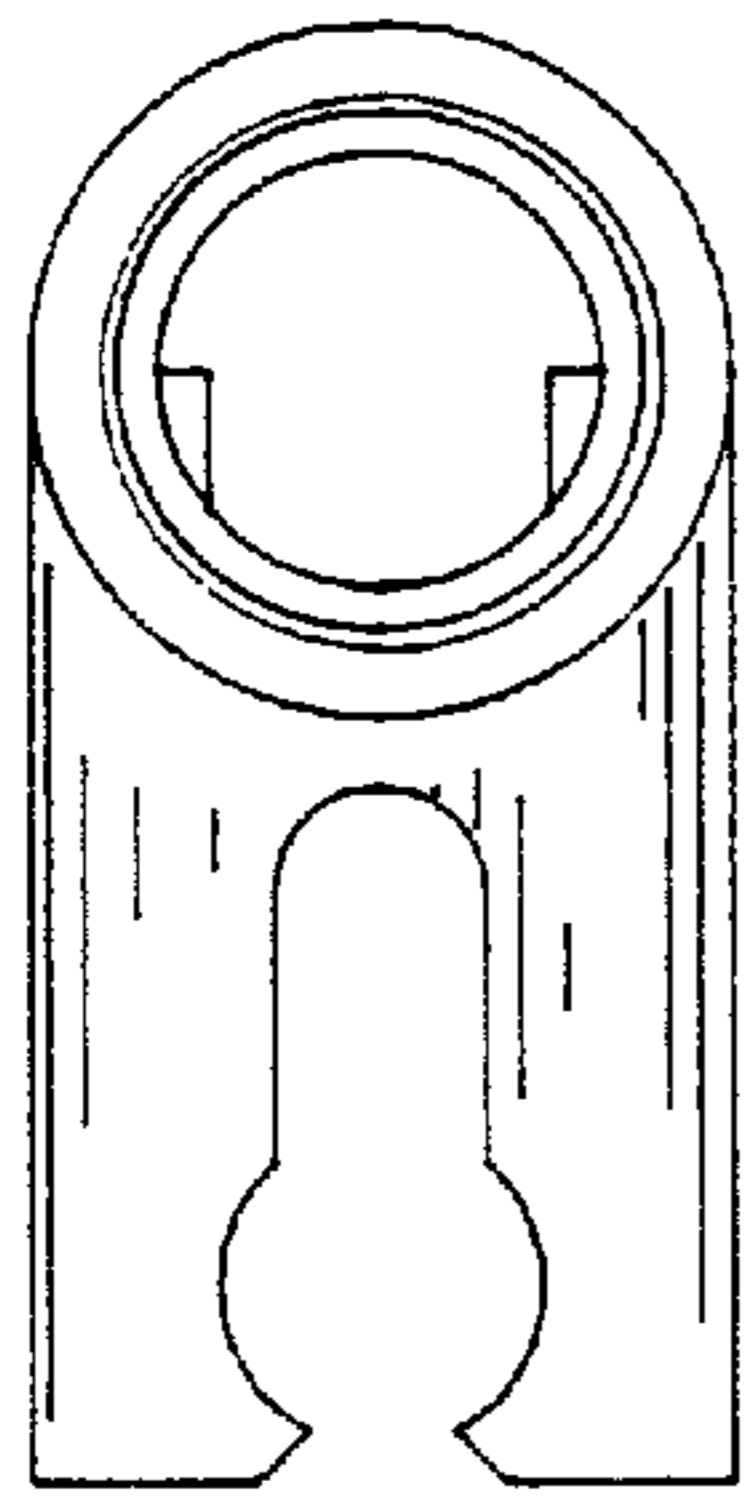


FIG. 3

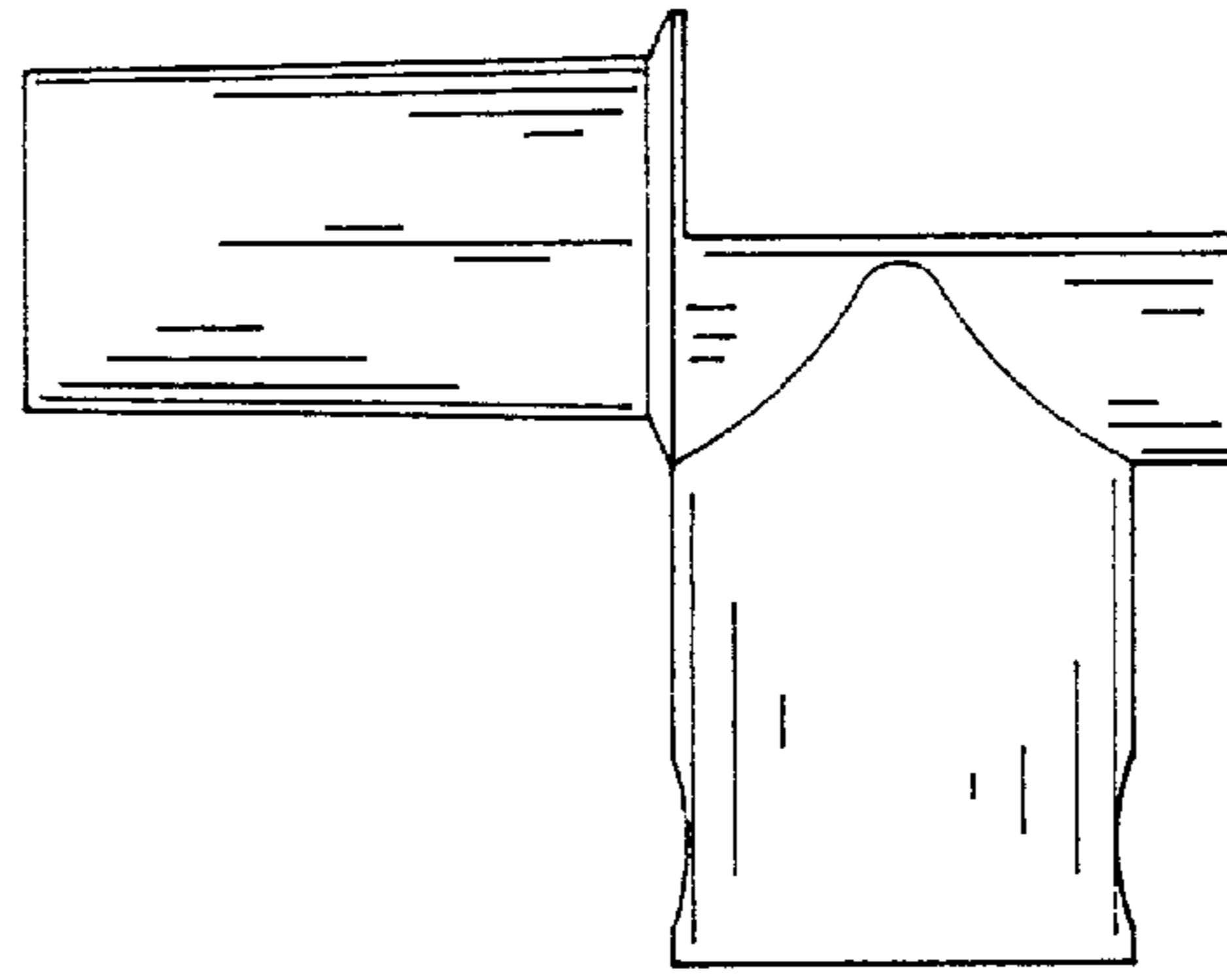


FIG. 4

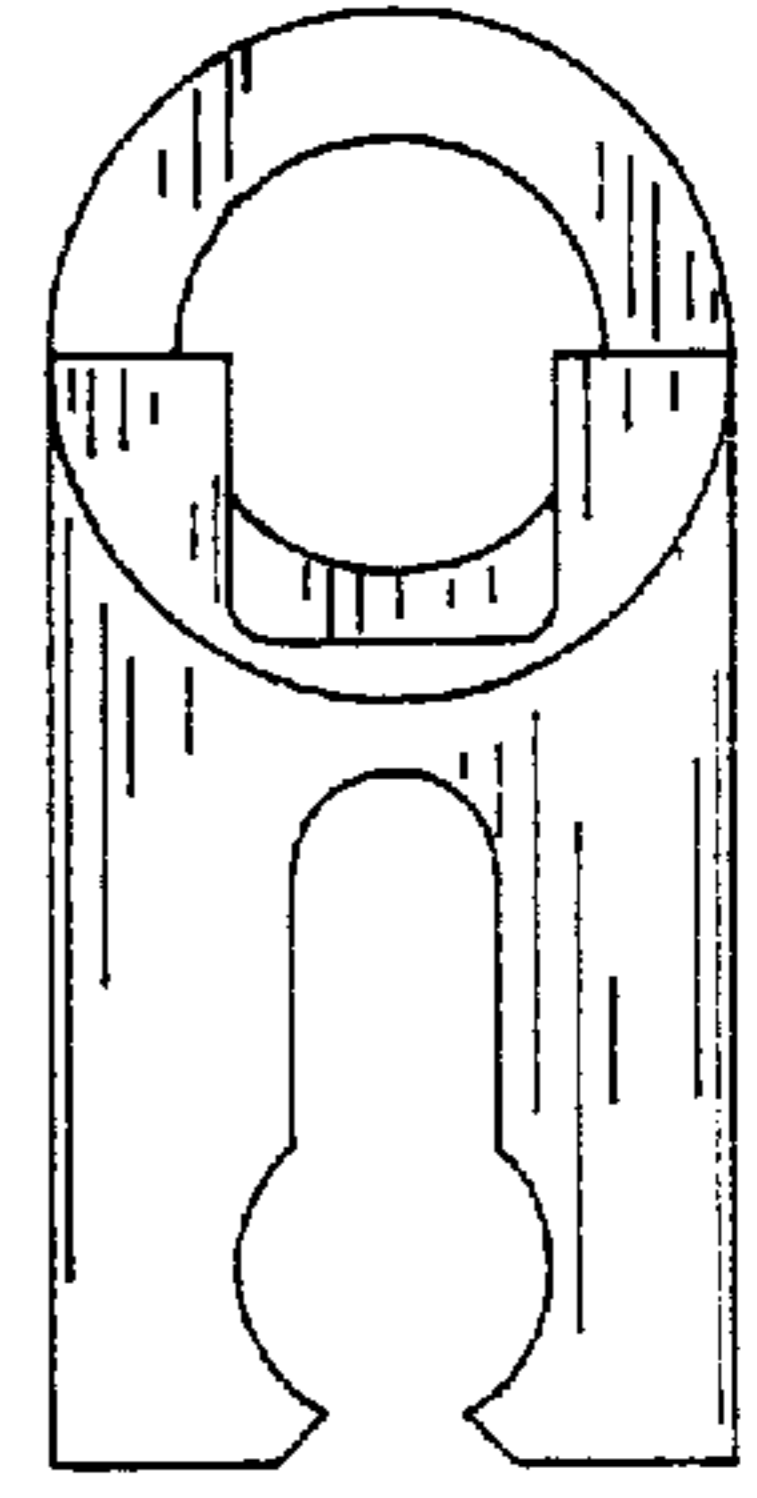


FIG. 5

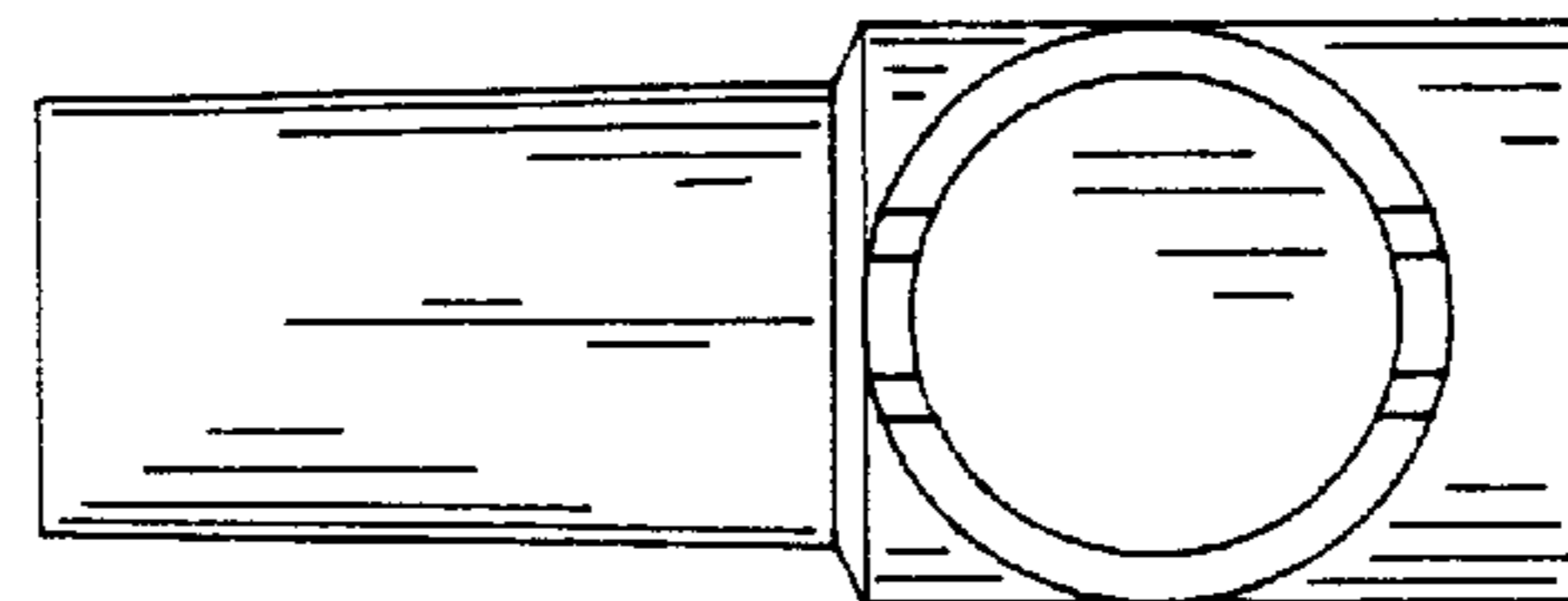


FIG. 6