



US00D422740S

United States Patent [19]

Hsu

[11] Patent Number: **Des. 422,740**

[45] Date of Patent: **** Apr. 11, 2000**

[54] BATH LAMP

[75] Inventor: **Keen Hsu**, Taichung, Taiwan

[73] Assignee: **Bright Yin Huey Co., Ltd.**, Taichung, Taiwan

[**] Term: **14 Years**

[21] Appl. No.: **29/104,536**

[22] Filed: **May 6, 1999**

[51] LOC (6) Cl. **26-05**

[52] U.S. Cl. **D26/87**

[58] Field of Search D26/72, 80-92,
D26/142, 143, 144, 145; 362/432, 147

[56] References Cited

U.S. PATENT DOCUMENTS

D. 367,752	3/1996	Segill et al.	D26/87
D. 391,001	2/1998	Hsu	D26/87
D. 397,487	8/1998	Hsu	D26/87
D. 403,798	1/1999	Dolan	D26/87

OTHER PUBLICATIONS

Elgee lighting catalog, p. 53, wall lamp, # 62G2, Jan. 1991.

Primary Examiner—Susan J. Lucas
Attorney, Agent, or Firm—Rosenberg, Klein & Lee

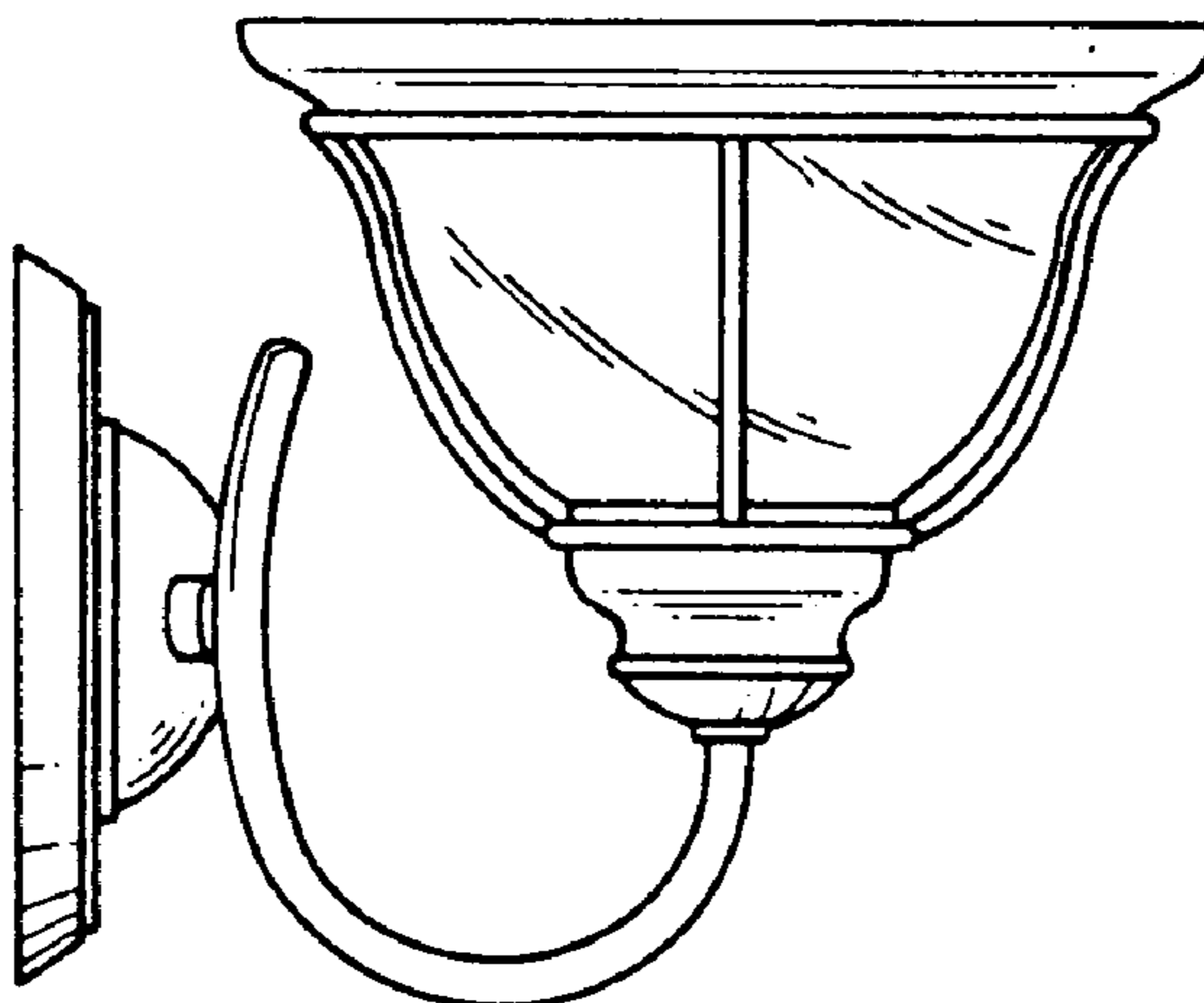
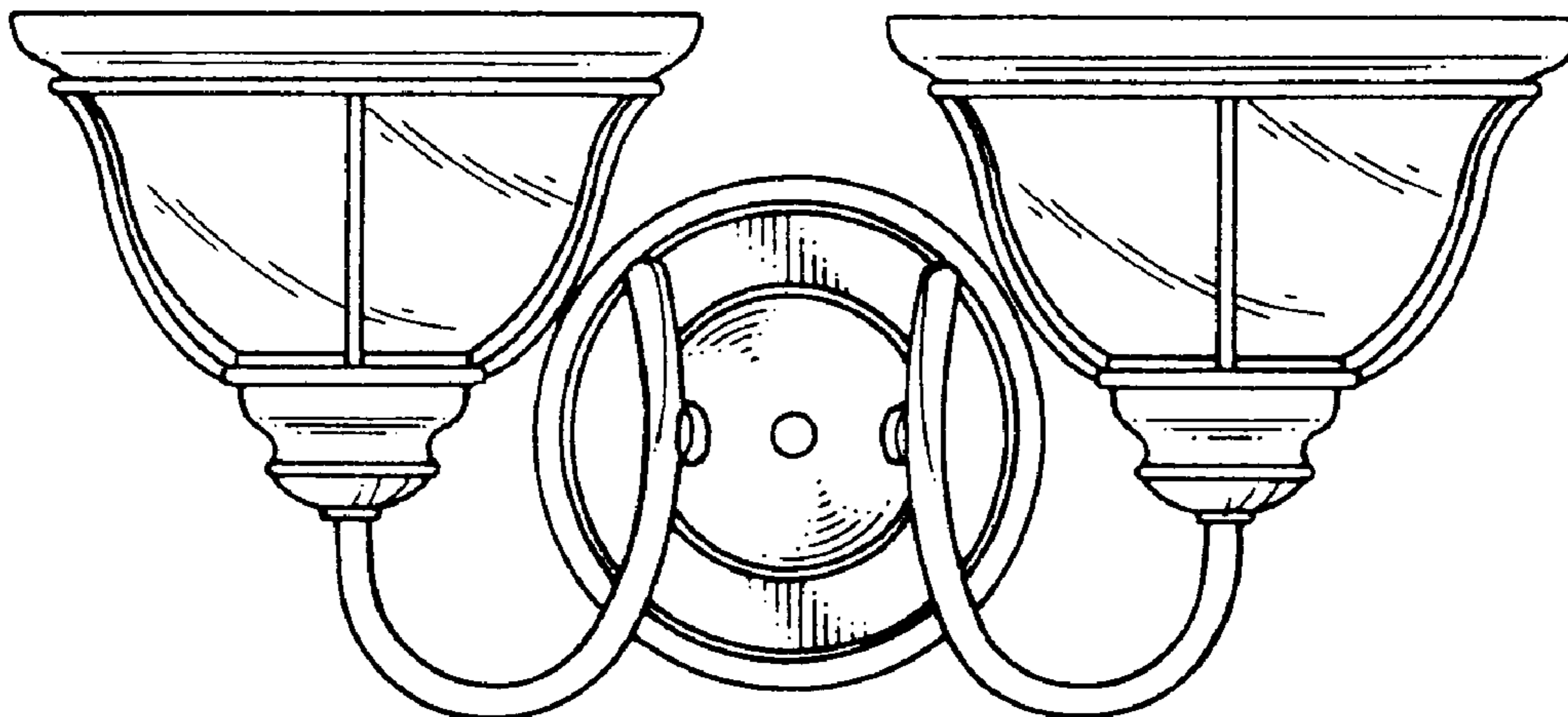
[57] CLAIM

The ornamental design for a bath lamp, as shown and described.

DESCRIPTION

FIG. 1 is a perspective view of bath lamp showing my new design;
FIG. 2 is a front elevation view thereof;
FIG. 3 is a rear elevation view thereof;
FIG. 4 is a left side elevation view thereof, the right side elevation view thereof being identical in appearance;
FIG. 5 is a top plan view thereof; and,
FIG. 6 is a bottom plan view thereof.

1 Claim, 3 Drawing Sheets



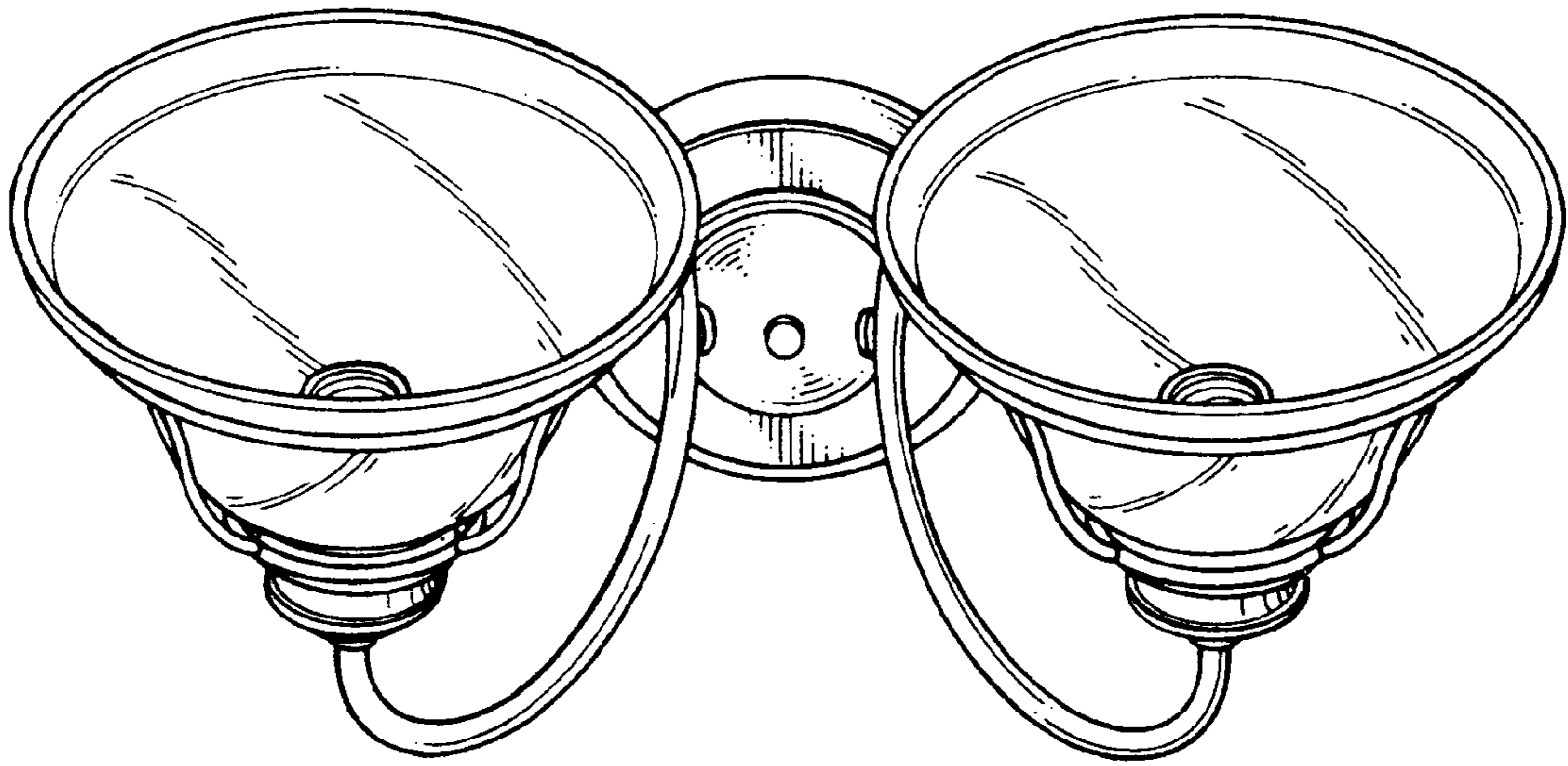


FIG. 1

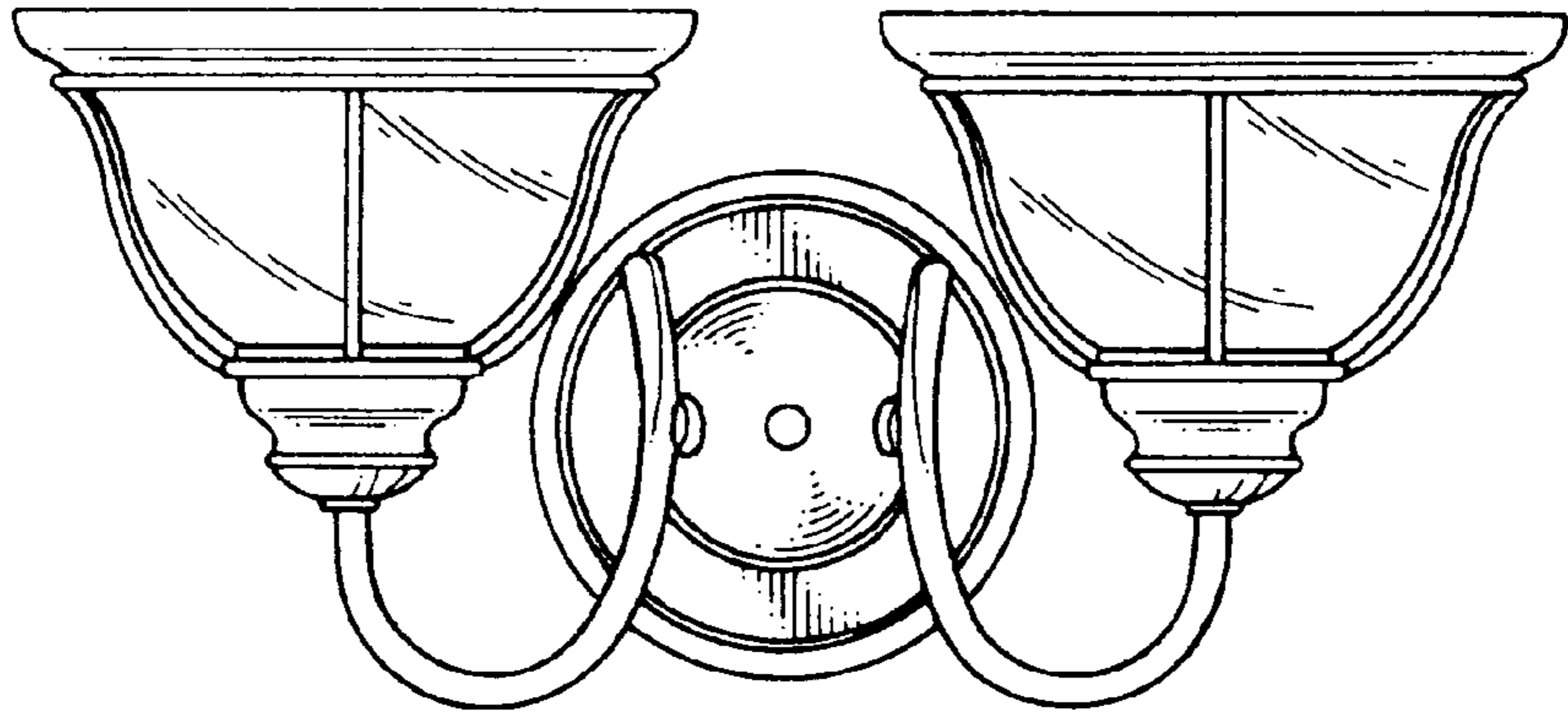


FIG. 2

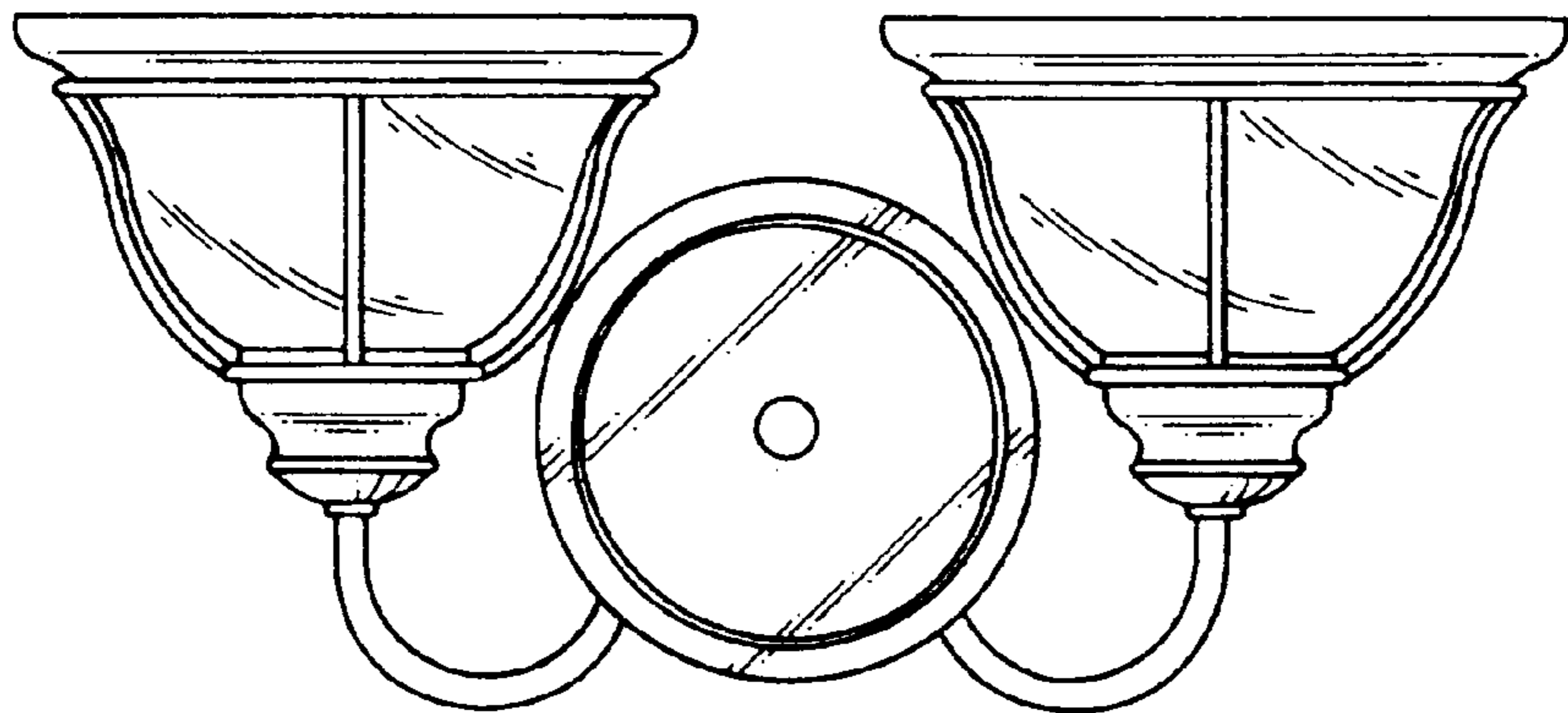


FIG. 3

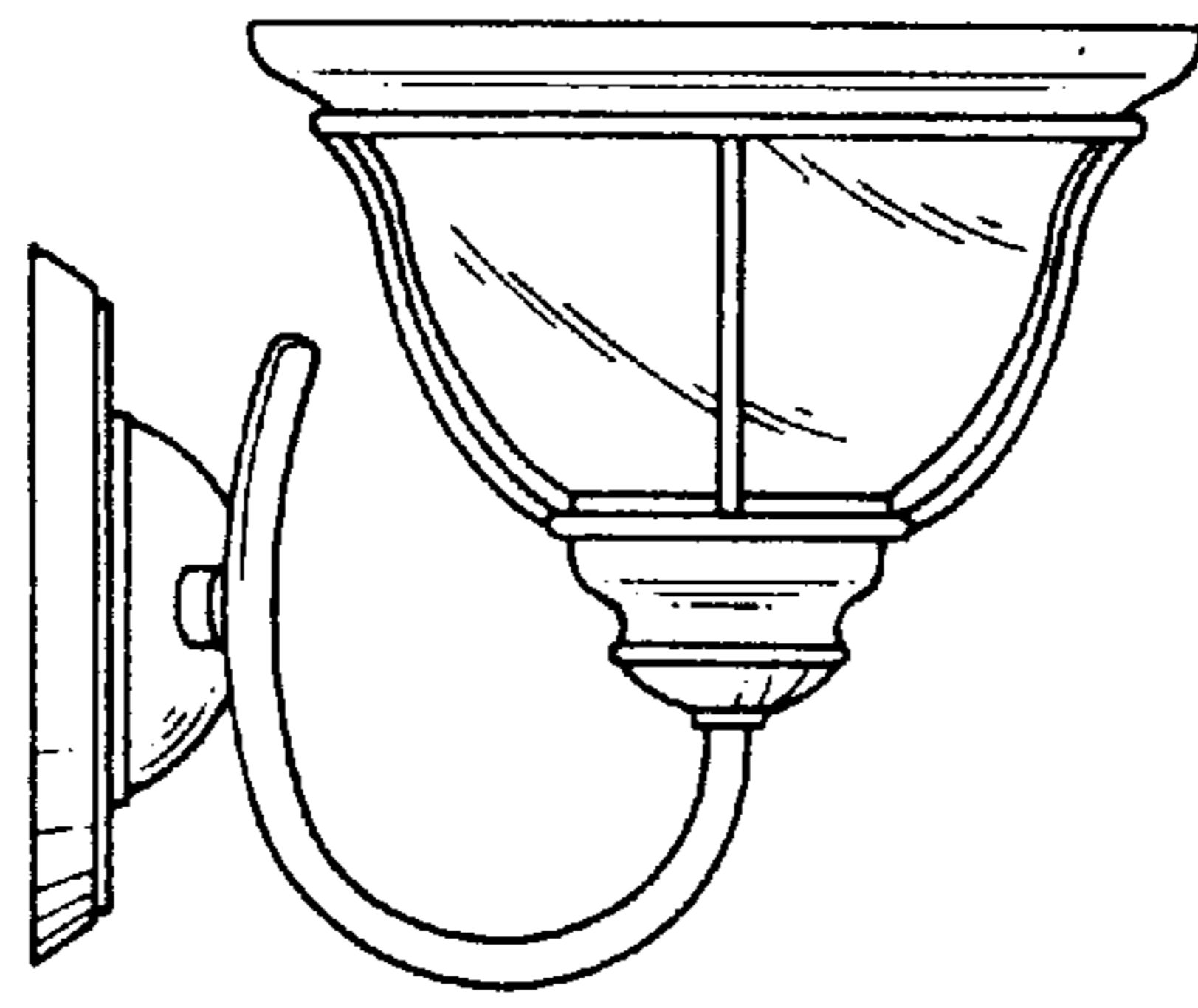


FIG. 4

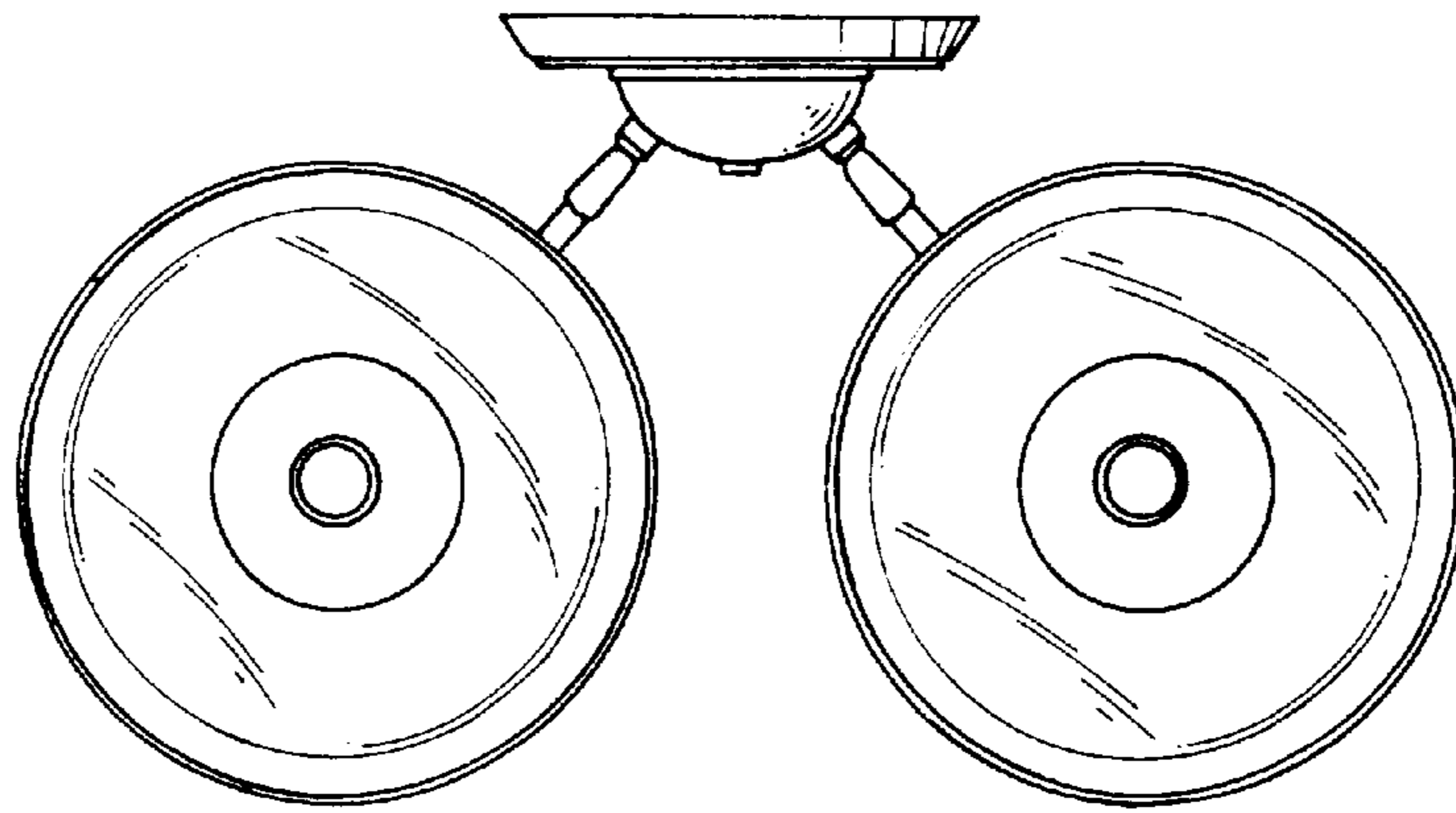


FIG. 5

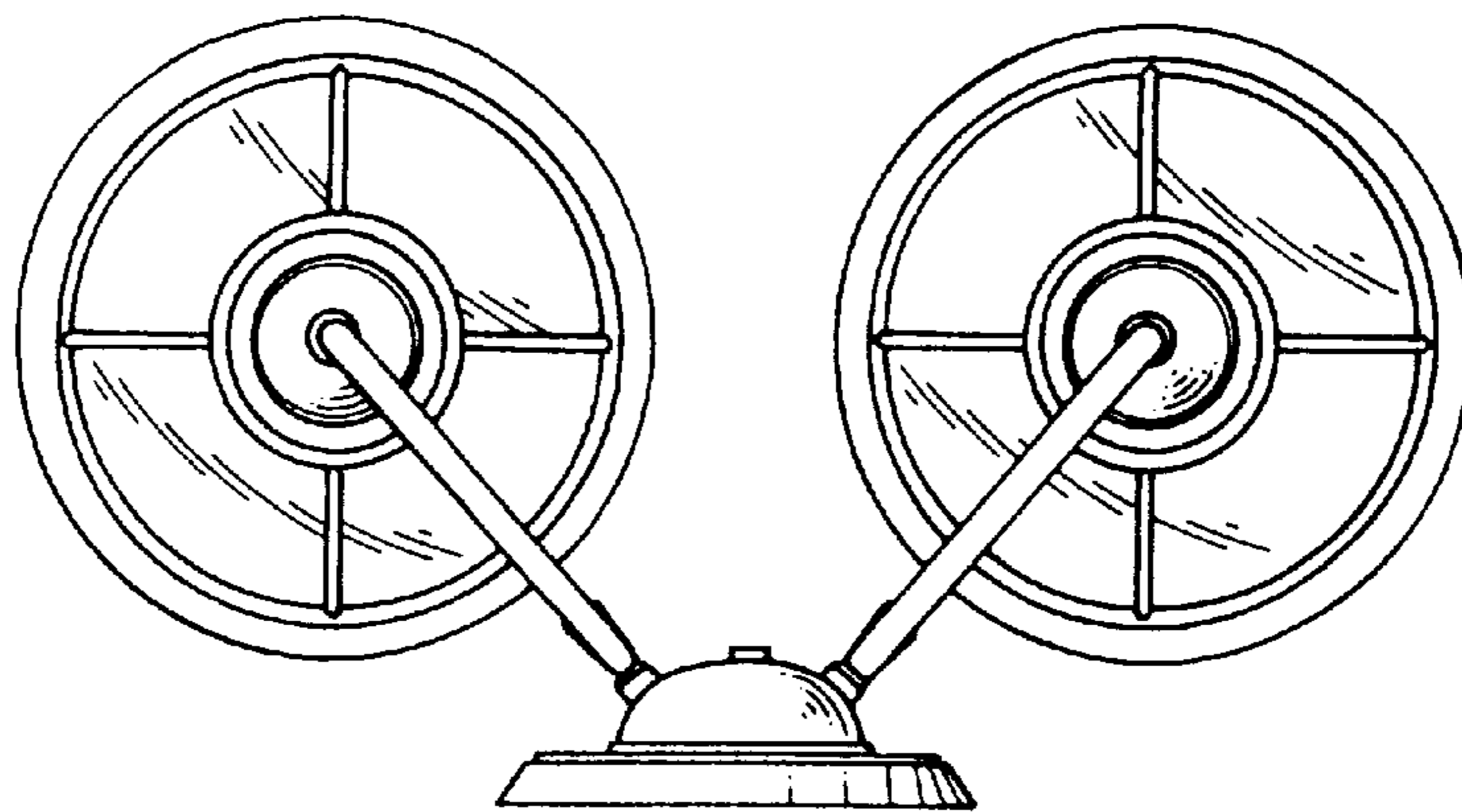


FIG. 6