



US00D422739S

# United States Patent [19] Lin

[11] **Patent Number: Des. 422,739**

[45] **Date of Patent: \*\* Apr. 11, 2000**

[54] **PORCH LIGHT**

D. 336,964 6/1993 Janssen et al. .... D26/85 X

[75] Inventor: **Chin-Chang Lin**, Taipei, Taiwan

### OTHER PUBLICATIONS

Abitare magazine, p. 189, wall lamp, Dec. 1988.

[73] Assignees: **Rayjen International Ltd.**, Taipei, Taiwan; **Min Hsiang Corporation**, Tainan Hsien, Taiwan

*Primary Examiner*—Susan J. Lucas  
*Attorney, Agent, or Firm*—Jiawei Huang; J. C. Patents

[\*\*] Term: **14 Years**

### [57] CLAIM

[21] Appl. No.: **29/096,118**

The ornamental design for a porch light, as shown and described.

[22] Filed: **Nov. 5, 1998**

### DESCRIPTION

[51] **LOC (6) Cl.** ..... **26-05**

FIG. 1 is a perspective view of a porch light according to the invention;

[52] **U.S. Cl.** ..... **D26/87**

FIG. 2 is a top plan view thereof;

[58] **Field of Search** ..... D26/85, 87, 92;

FIG. 3 is a front elevational view thereof;

362/147, 432

FIG. 4 is a rear elevational view thereof;

### [56] References Cited

FIG. 5 is a bottom plan view thereof;

#### U.S. PATENT DOCUMENTS

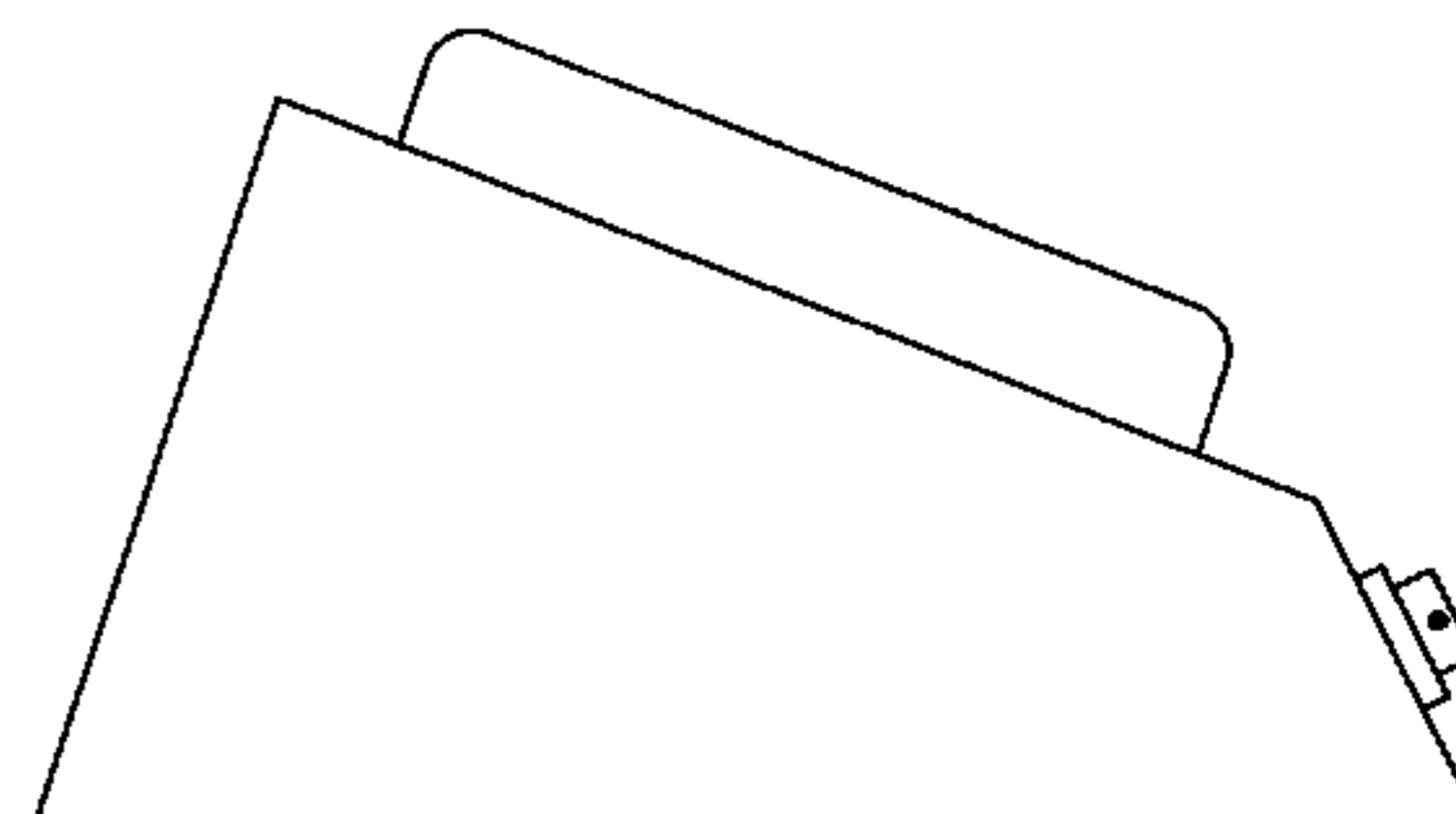
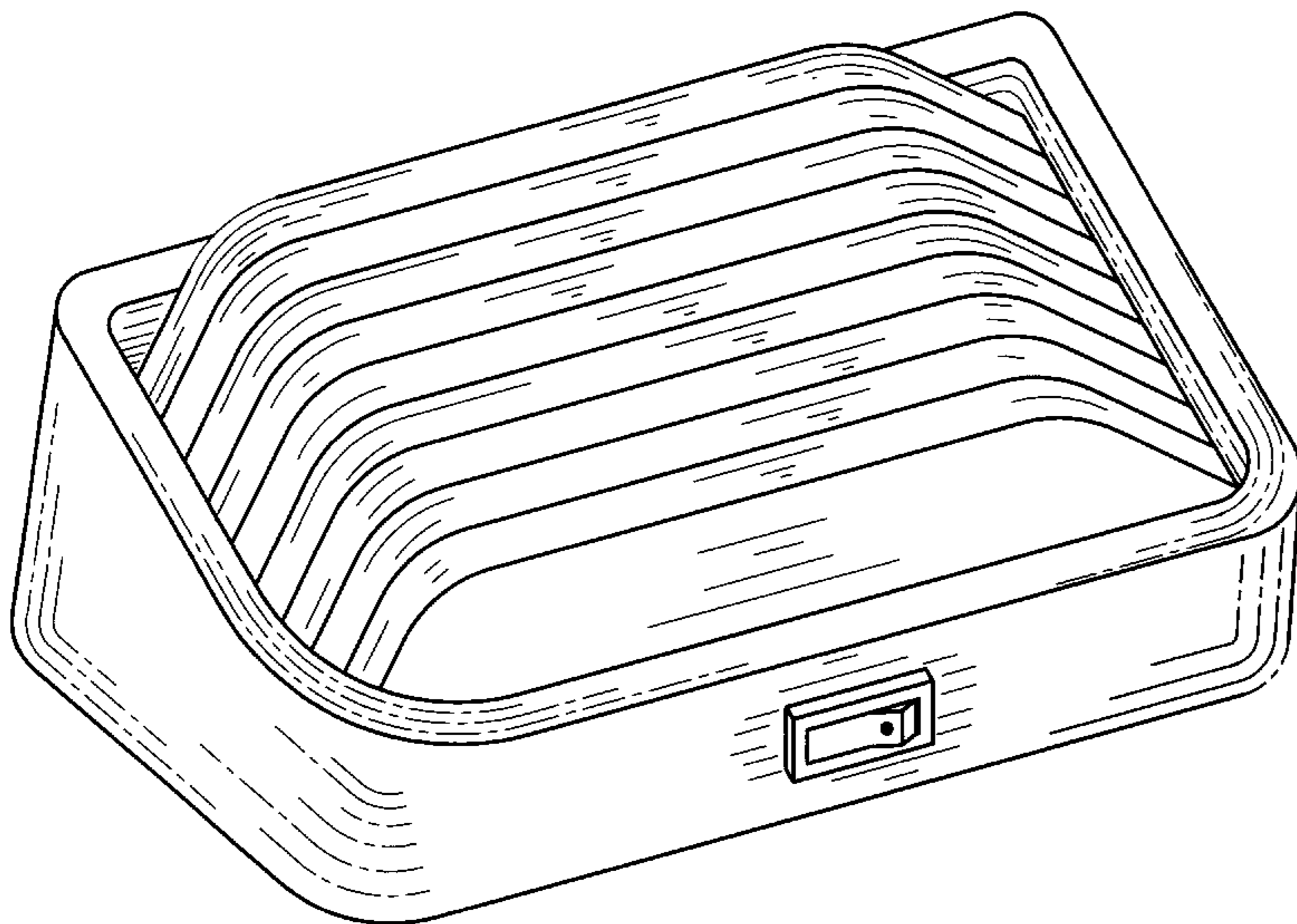
FIG. 6 is a right end elevational view thereof; and,

FIG. 7 is a left end elevational view thereof.

D. 324,111 2/1992 Arbisi ..... D26/85 X

D. 326,923 6/1992 Yuen ..... D26/85 X

**1 Claim, 4 Drawing Sheets**



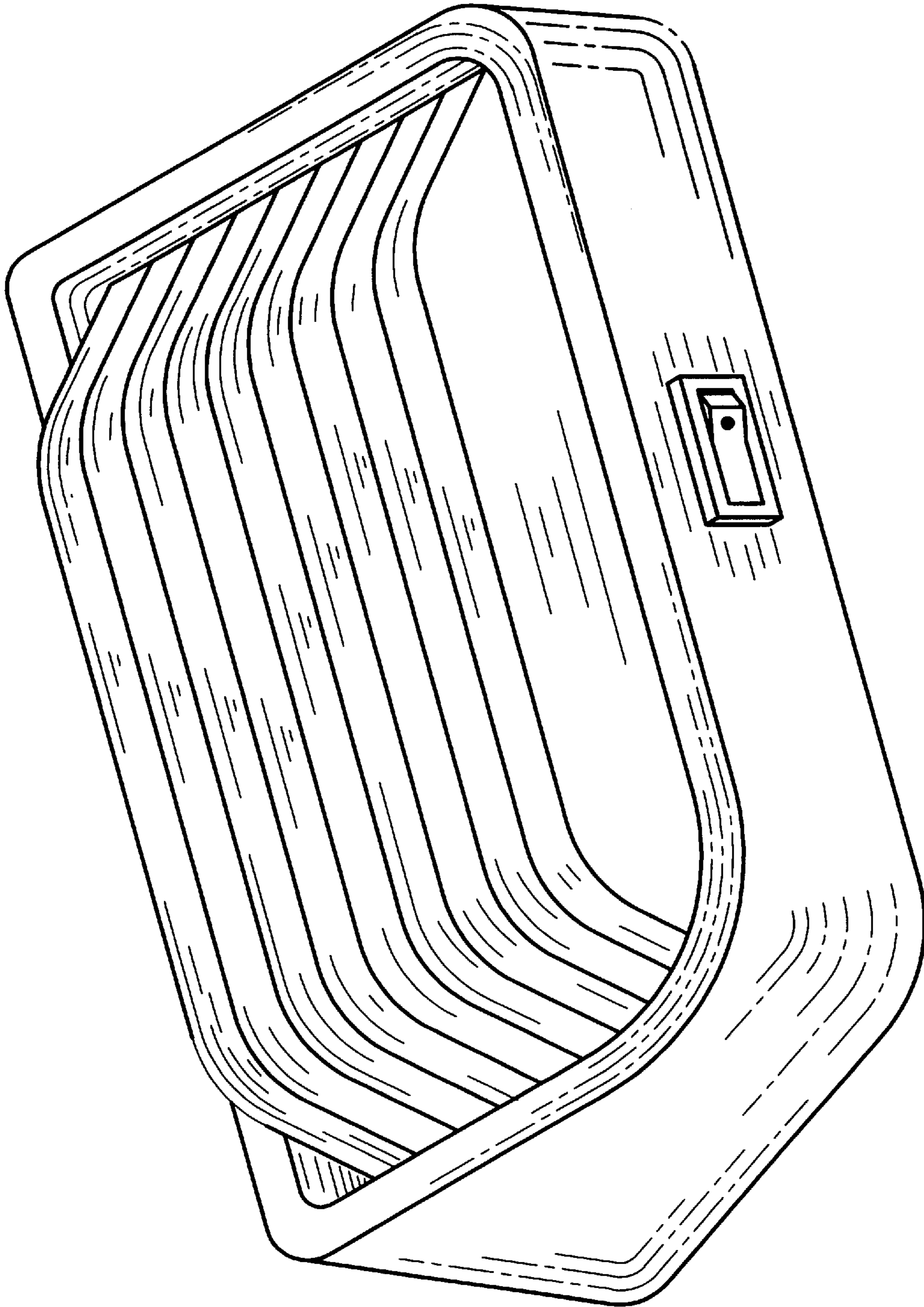


FIG. 1

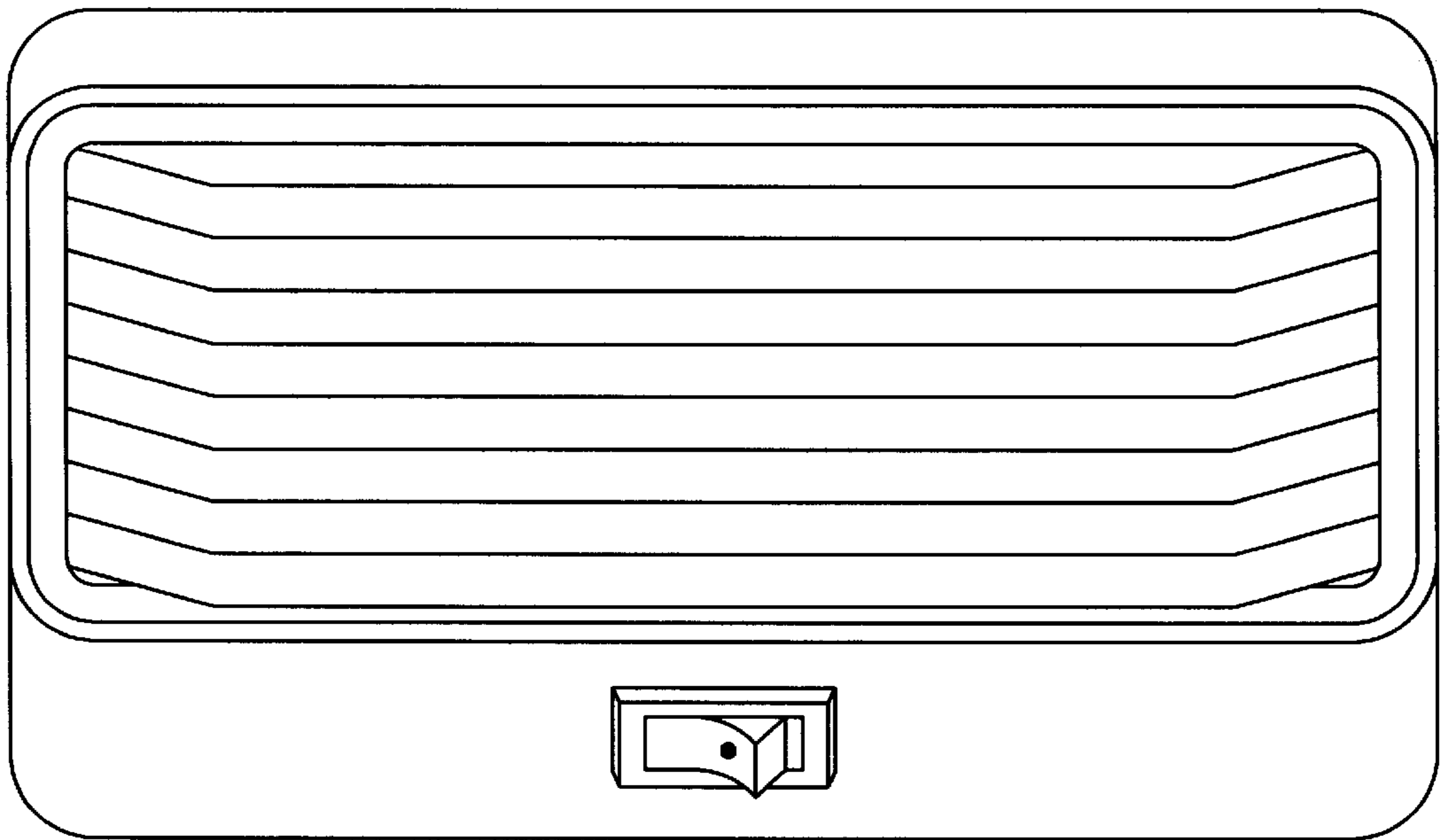


FIG. 2

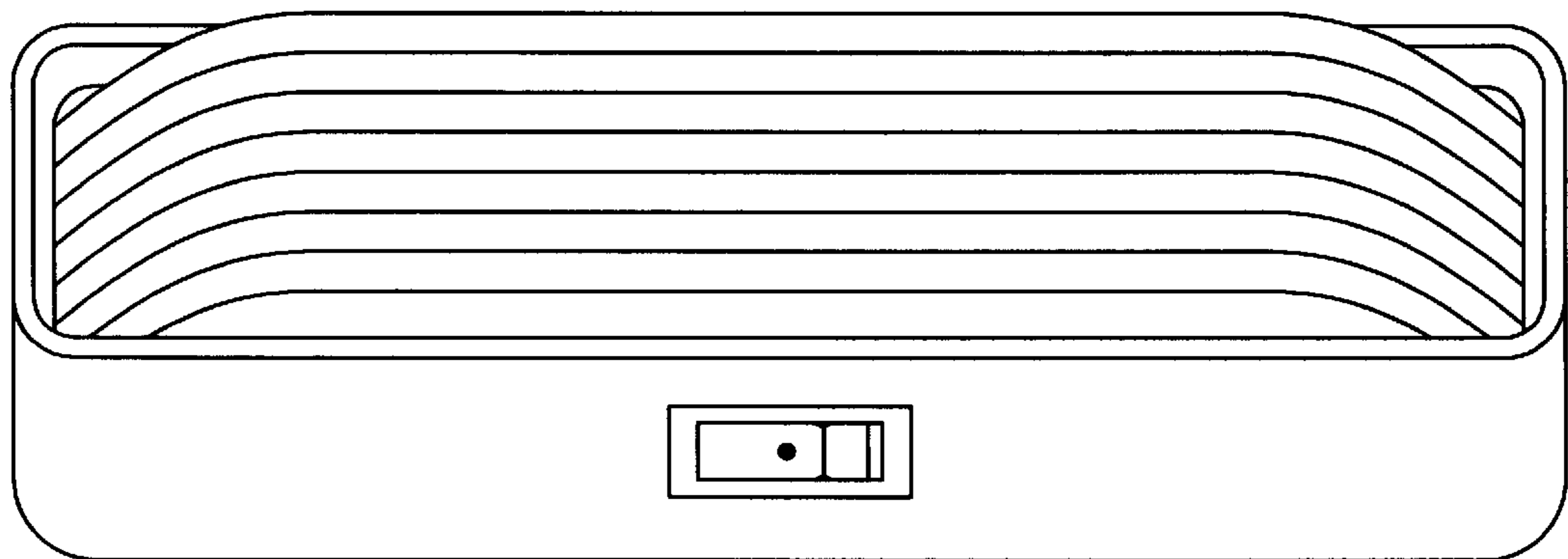


FIG. 3

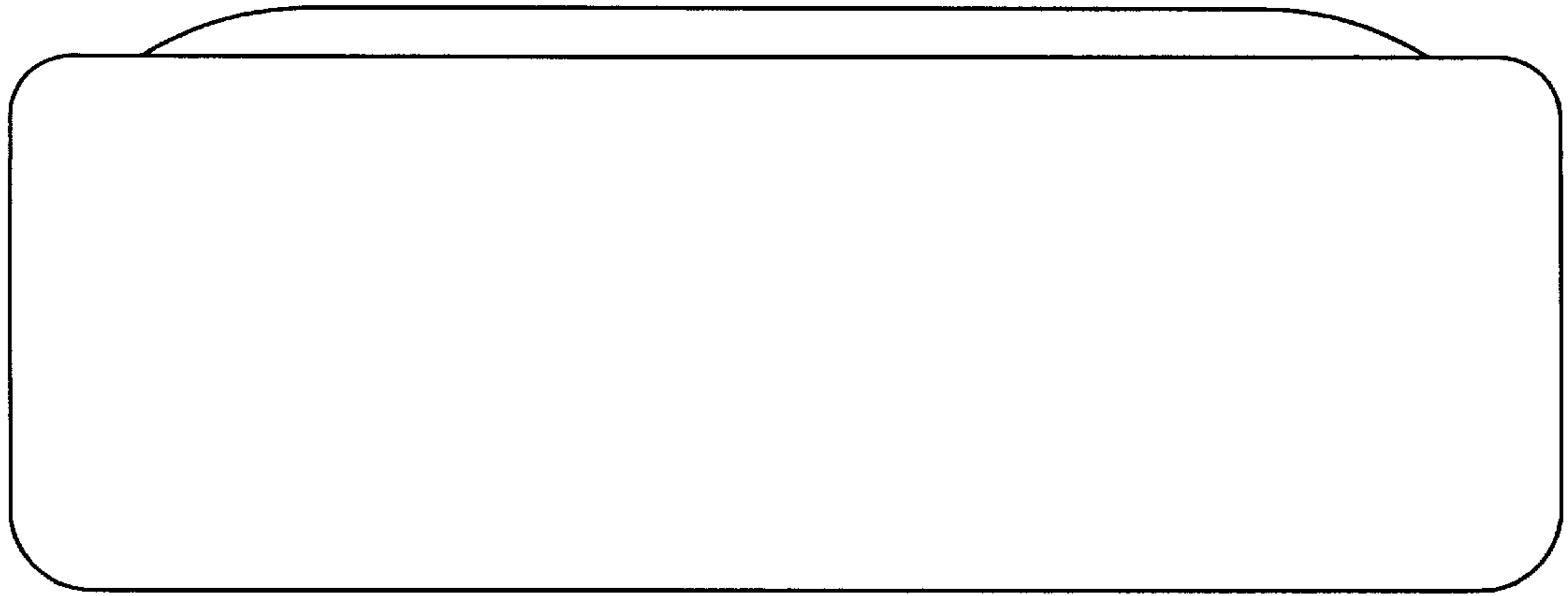


FIG. 4

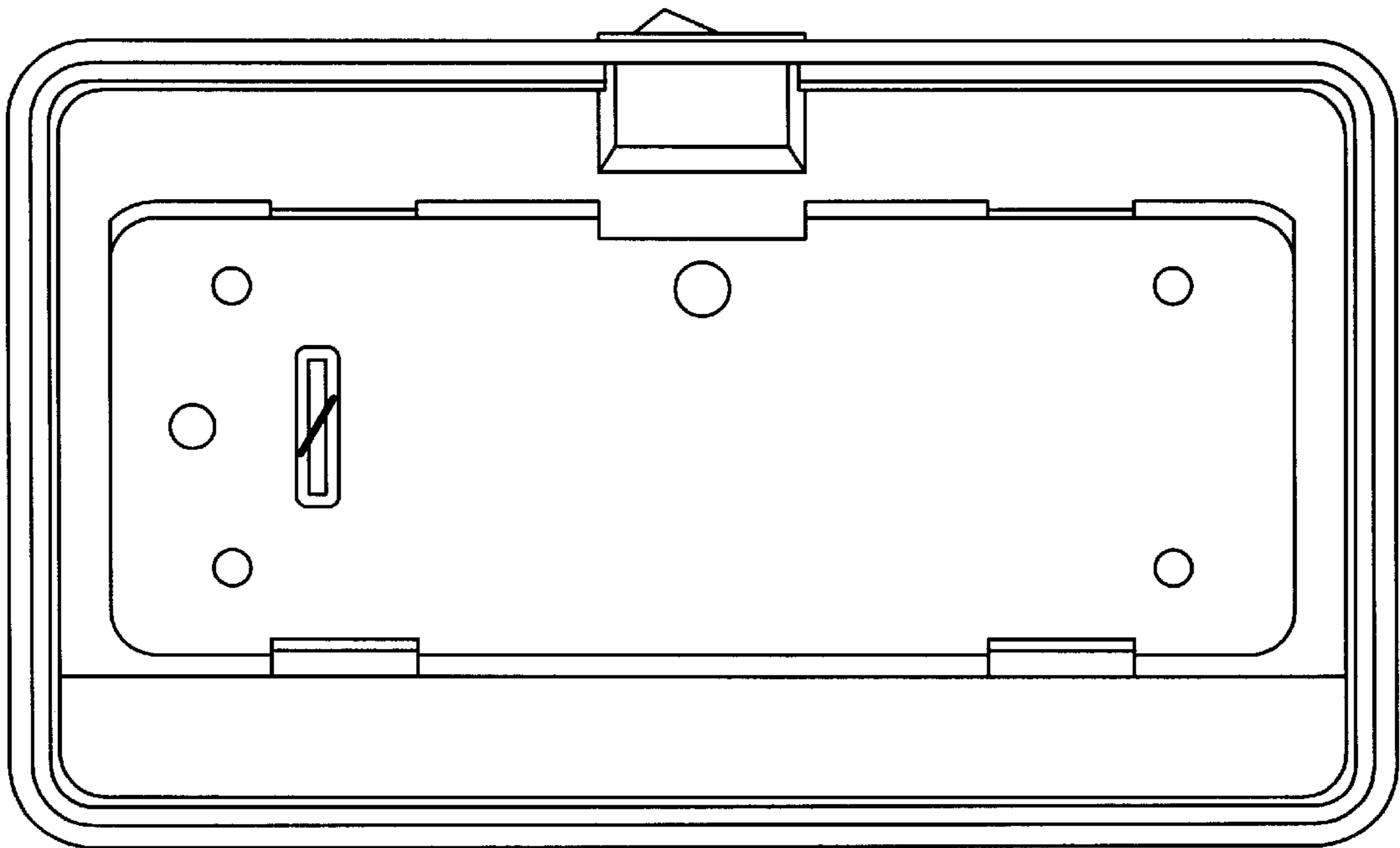


FIG. 5

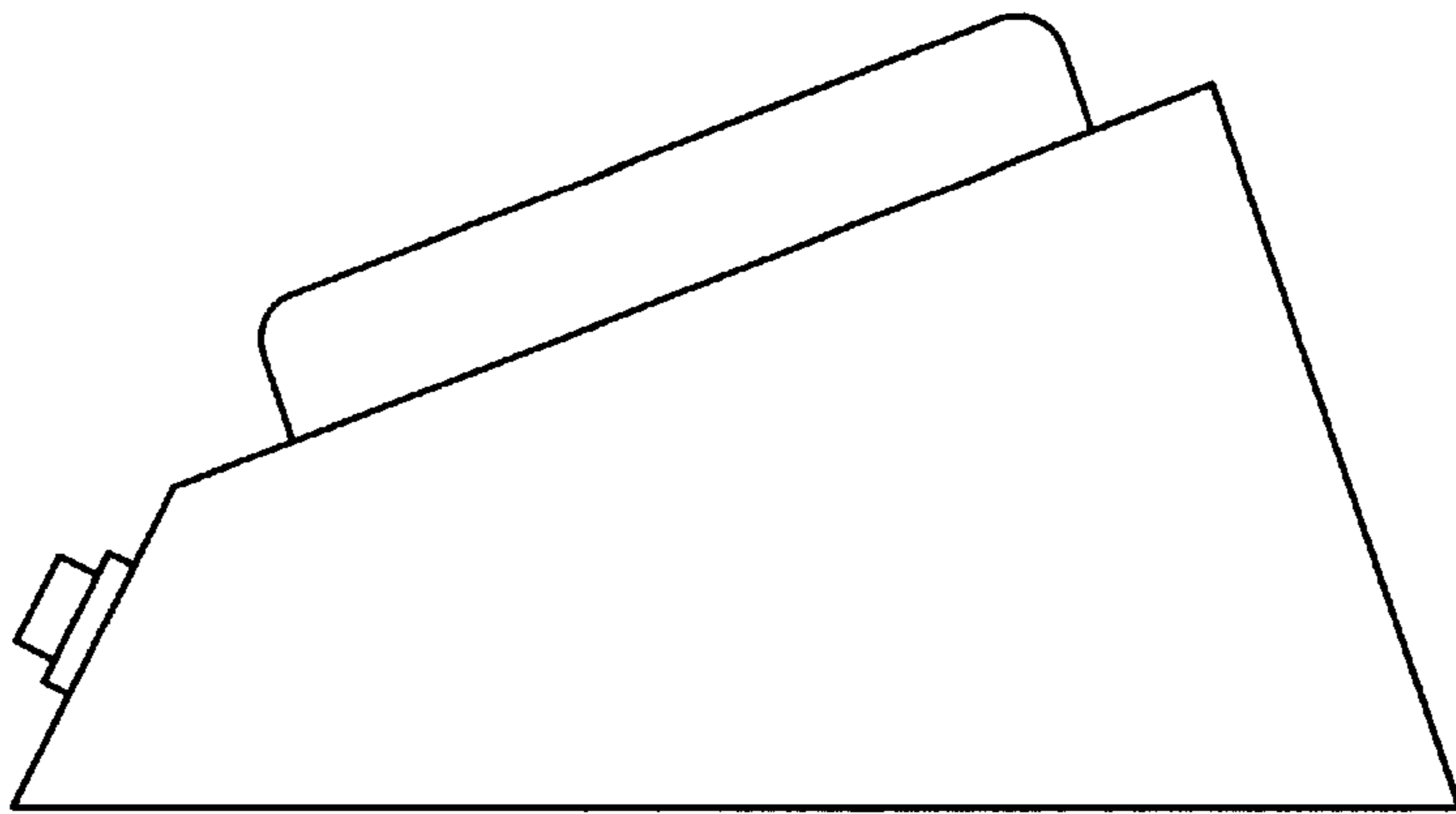


FIG. 6

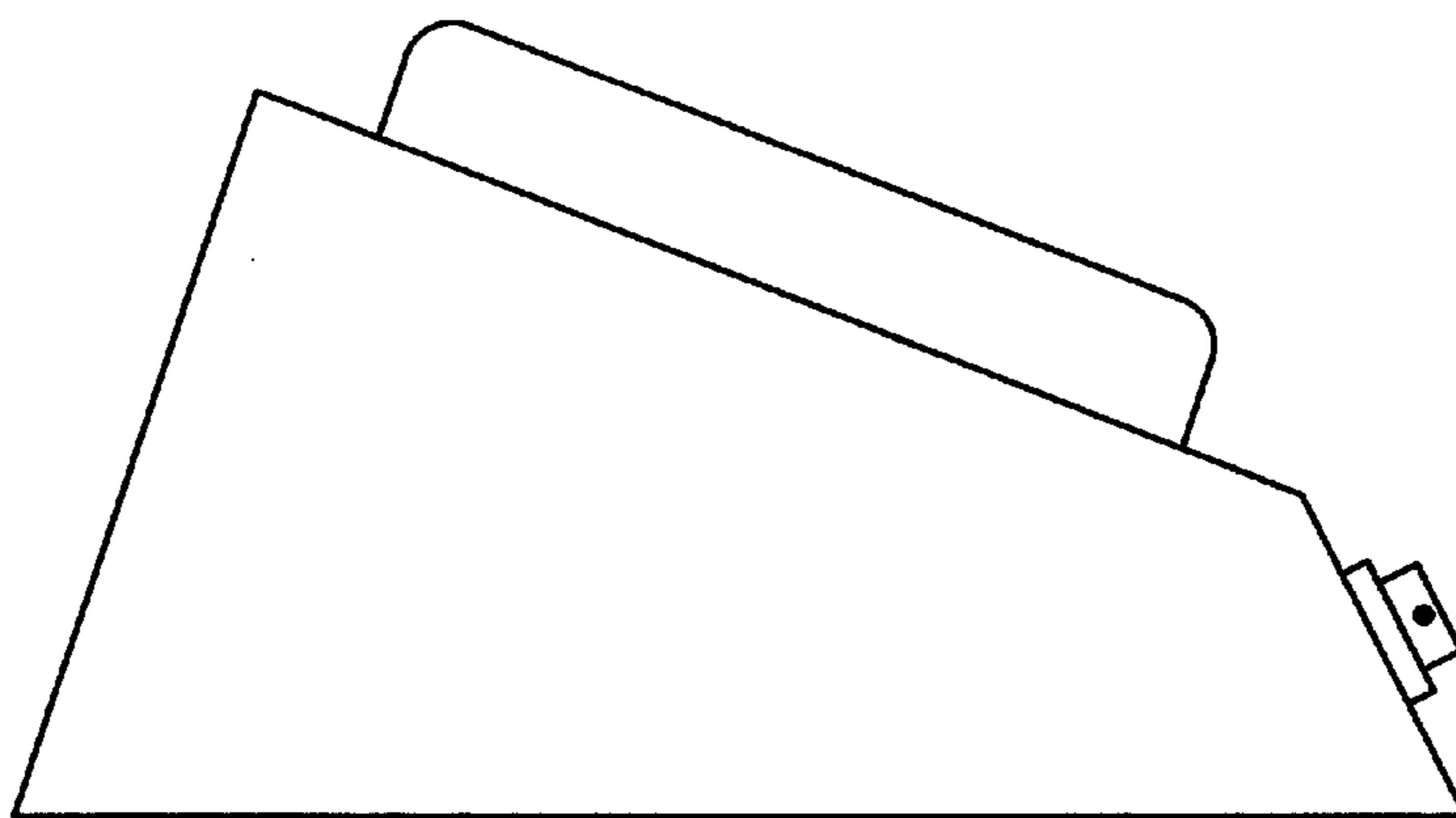


FIG. 7