



US00D422733S

# United States Patent [19] Kung

[11] Patent Number: Des. 422,733

[45] Date of Patent: \*\* Apr. 11, 2000

[54] FLASHLIGHT

[75] Inventor: **Kennth Kung**, Stanley, The Hong Kong Special Administrative Region of the People's Republic of China

[73] Assignee: **Tung Fat Industries, Ltd.**, Kowloon, The Hong Kong Special Administrative Region of the People's Republic of China

[\*\*] Term: **14 Years**

[21] Appl. No.: **29/106,178**

[22] Filed: **Jun. 10, 1999**

[51] LOC (6) Cl. .... **26-02**

[52] U.S. Cl. .... **D26/49**

[58] Field of Search ..... D26/37-50; 362/151, 362/153, 159, 183-208

[56] **References Cited**

U.S. PATENT DOCUMENTS

D. 344,811	3/1994	Garrity	.....	D26/49
D. 356,175	3/1995	Yau	.....	D26/49
D. 363,564	10/1995	Kish et al.	.....	D26/49
D. 369,423	4/1996	Garrity	.....	D26/49
D. 370,989	6/1996	Garrity	.....	D26/49
D. 407,514	3/1999	Yuen	.....	D26/49

*Primary Examiner*—Marcus A. Jackson  
*Attorney, Agent, or Firm*—Clifford W. Browning; Woodard, Emhardt, Naughton, Moriarty & McNett

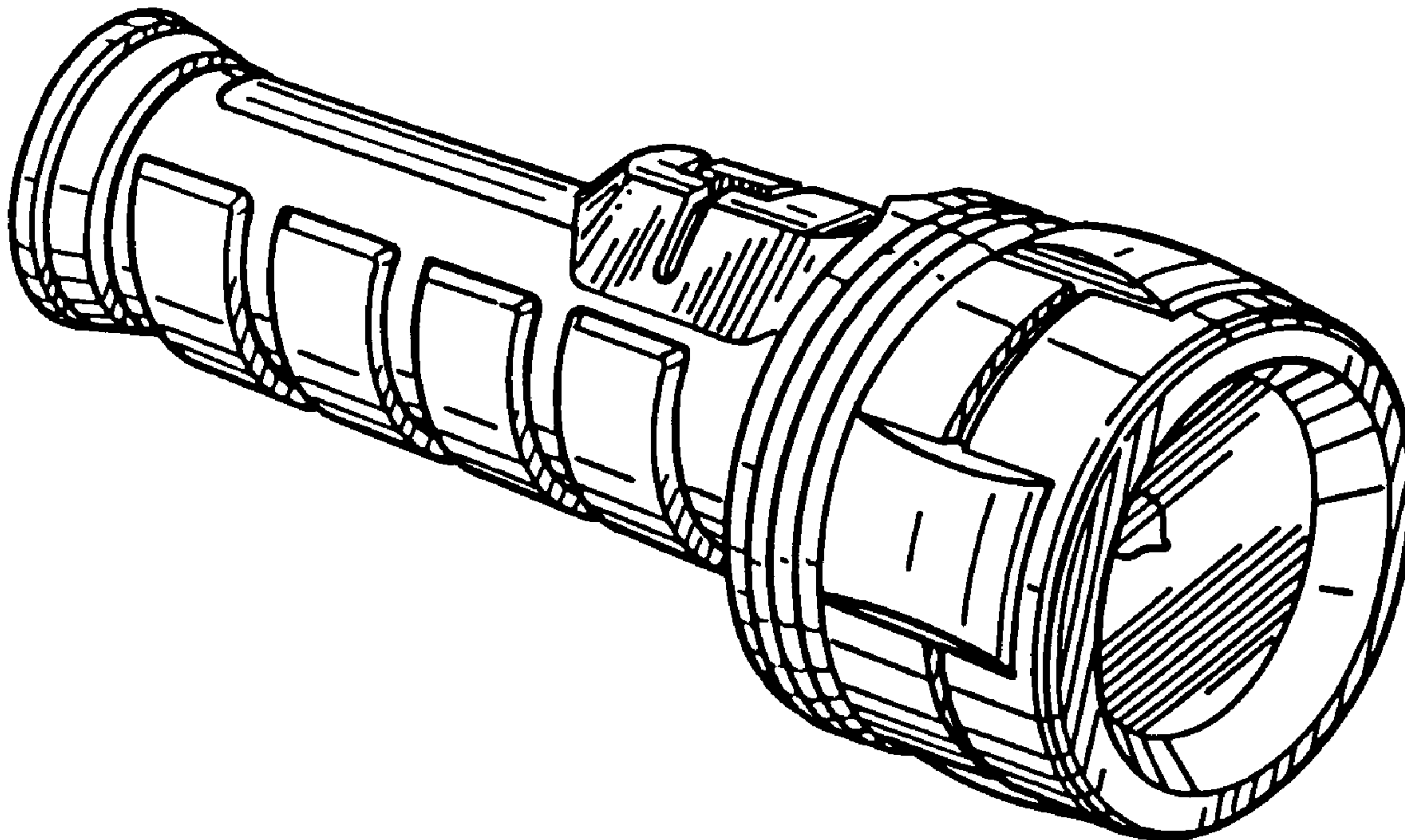
[57] **CLAIM**

The ornamental design for a flashlight, as shown and described.

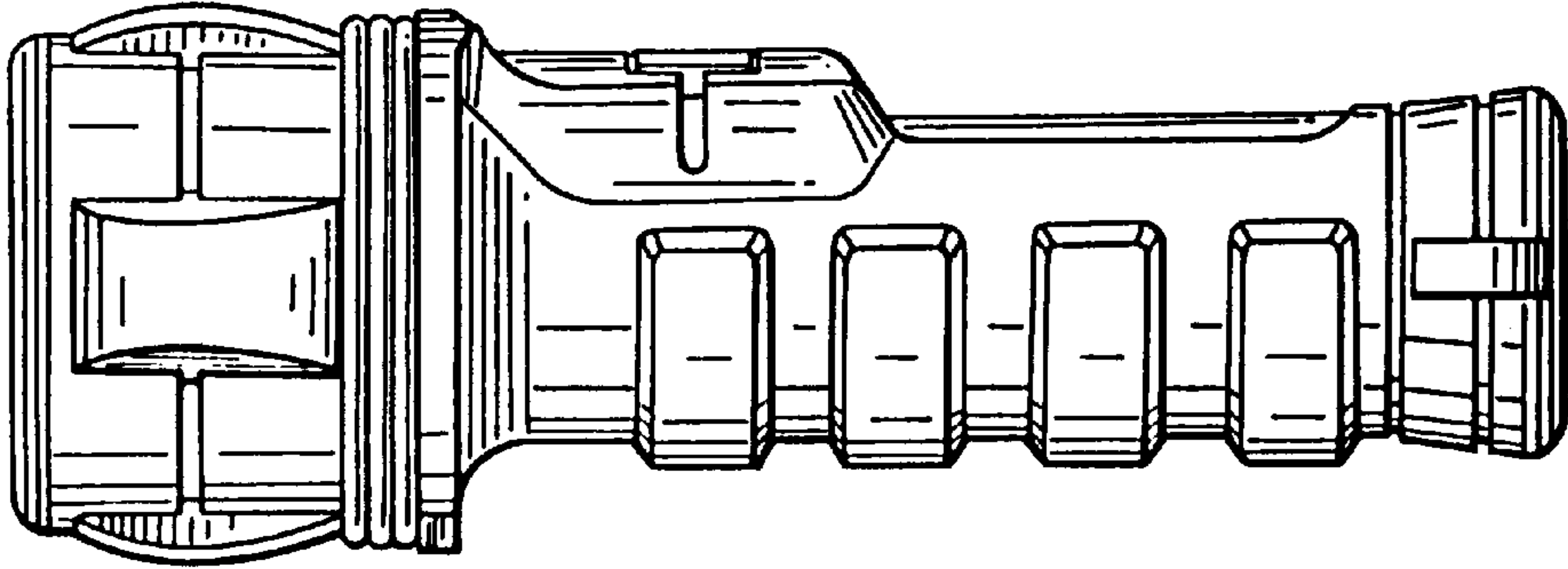
**DESCRIPTION**

FIG. 1 is a right side view of a flashlight, showing my new design.  
 FIG. 2 is a left side view of FIG. 1.  
 FIG. 3 is a front view of FIG. 1.  
 FIG. 4 is a top view of FIG. 1.  
 FIG. 5 is a bottom view of FIG. 1.  
 FIG. 6 is a rear view of FIG. 1.  
 FIG. 7 is a left side perspective view of FIG. 1.  
 FIG. 8 is a right side view of an alternative embodiment of a flashlight, showing my new design.  
 FIG. 9 is a left side view of FIG. 8.  
 FIG. 10 is a front view of FIG. 8.  
 FIG. 11 is a top view of FIG. 8.  
 FIG. 12 is a bottom view of FIG. 8.  
 FIG. 13 is a rear view of FIG. 8.  
 FIG. 14 is a left side perspective view of FIG. 8.  
 FIG. 15 is a right side view of an alternative embodiment of a flashlight, showing my new design.  
 FIG. 16 is a left side view of FIG. 15.  
 FIG. 17 is a front view of FIG. 15.  
 FIG. 18 is a top view of FIG. 15.  
 FIG. 19 is a bottom view of FIG. 15.  
 FIG. 20 is a rear view of FIG. 15; and,  
 FIG. 21 is a left side perspective view of FIG. 15.

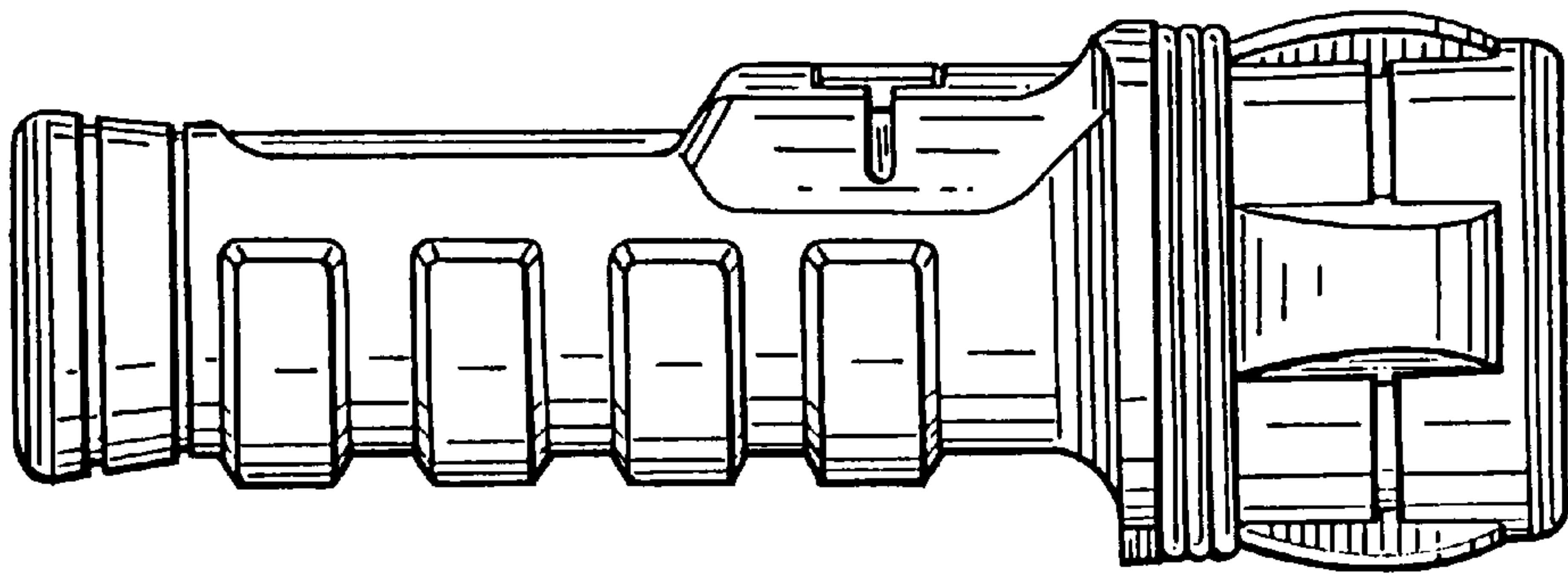
**1 Claim, 7 Drawing Sheets**



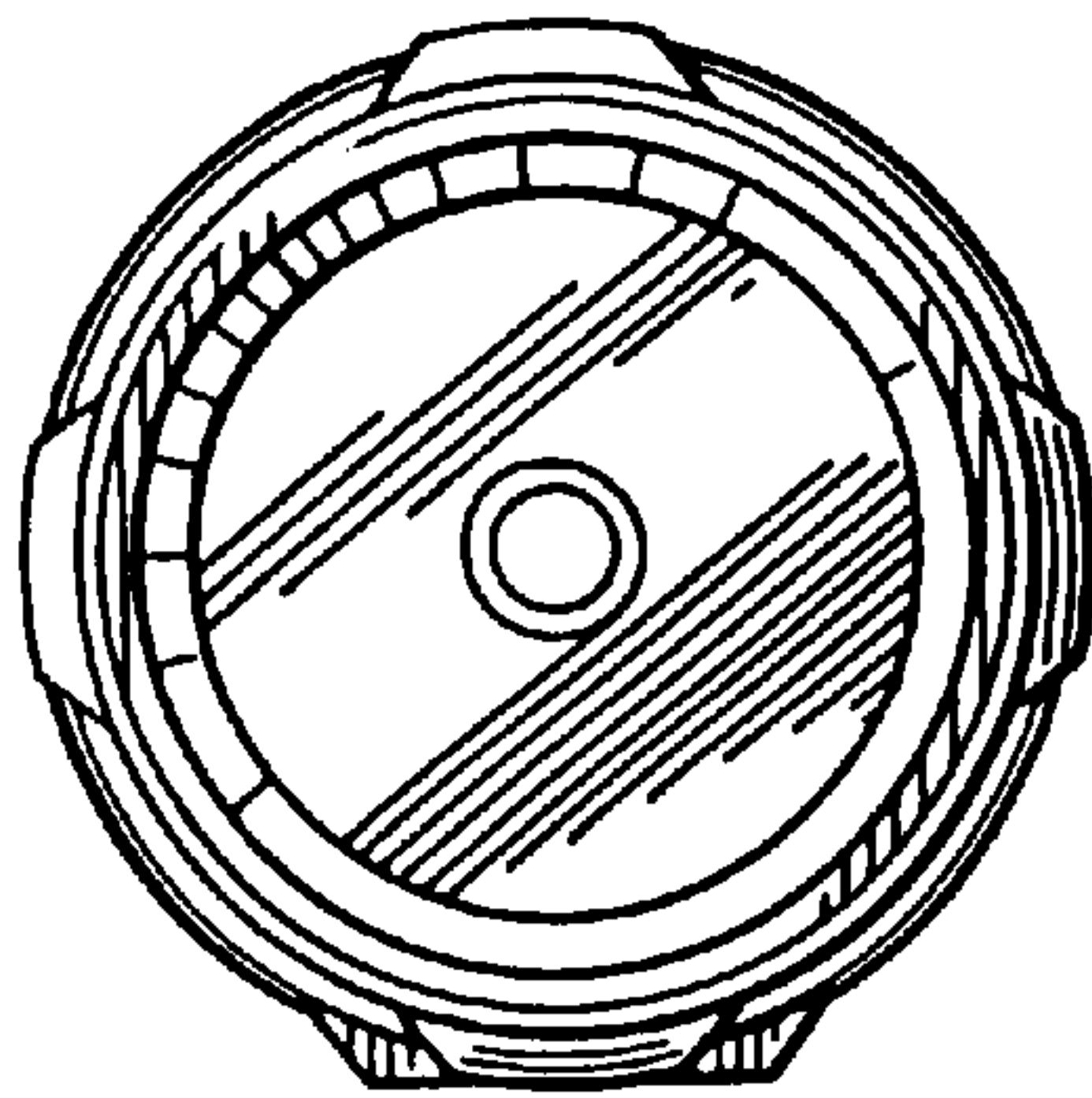
**FIG. 1**



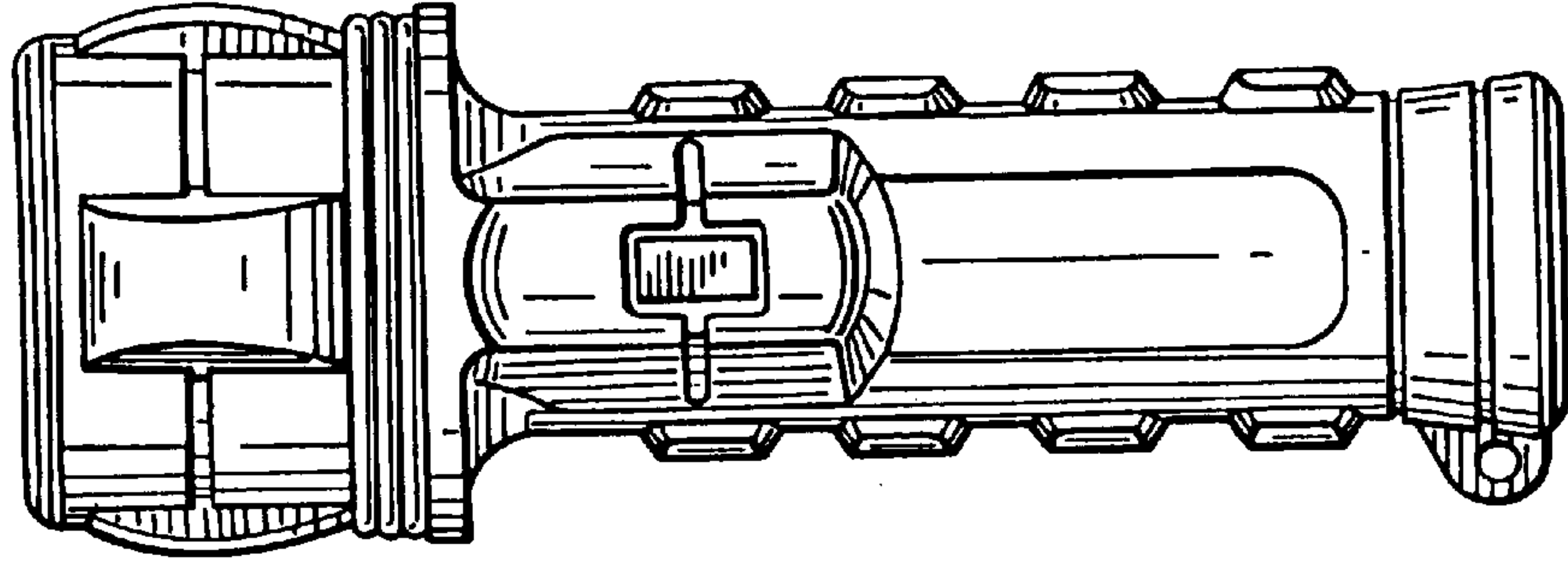
**FIG. 2**



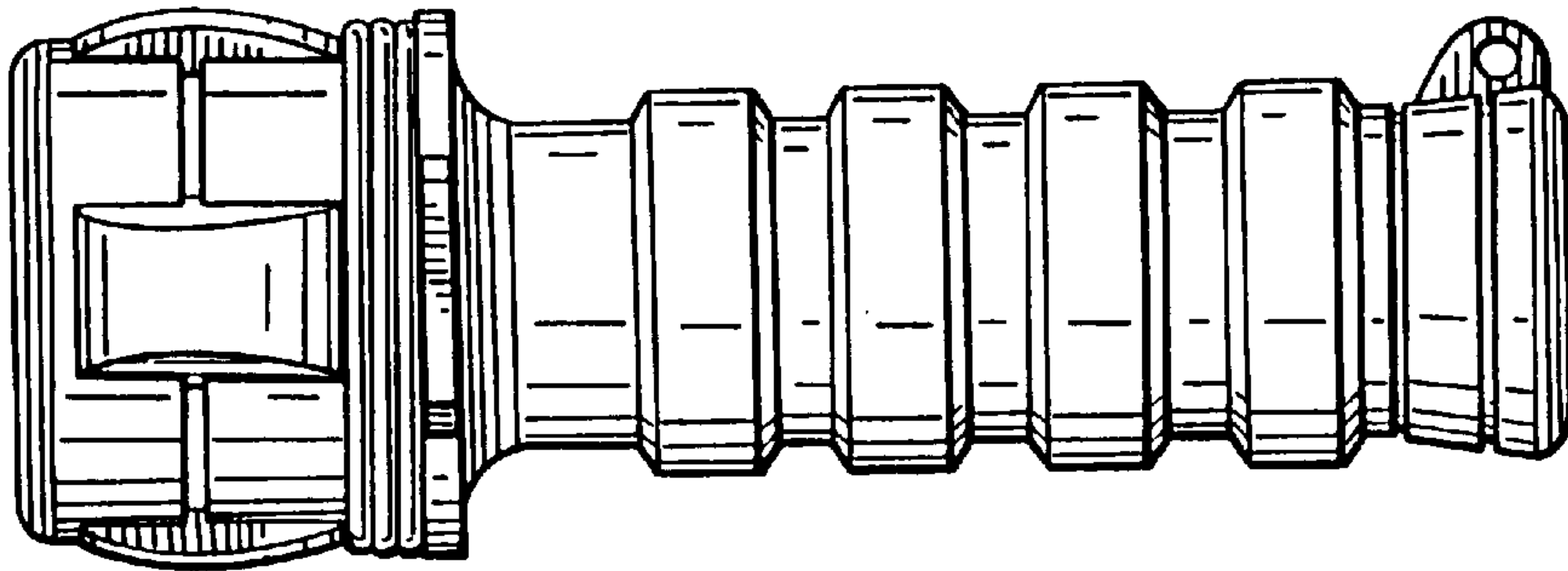
**FIG. 3**



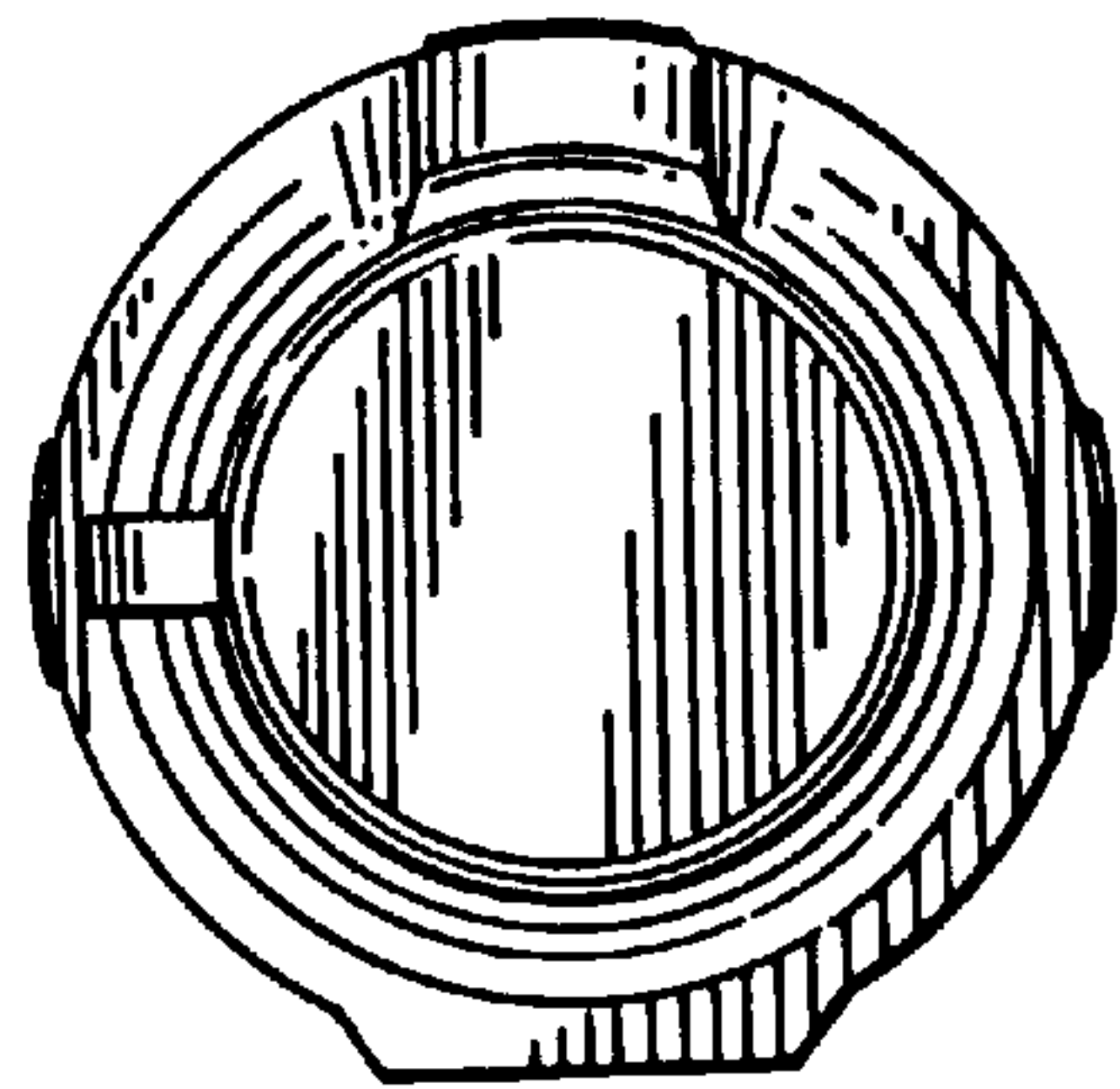
**FIG. 4**



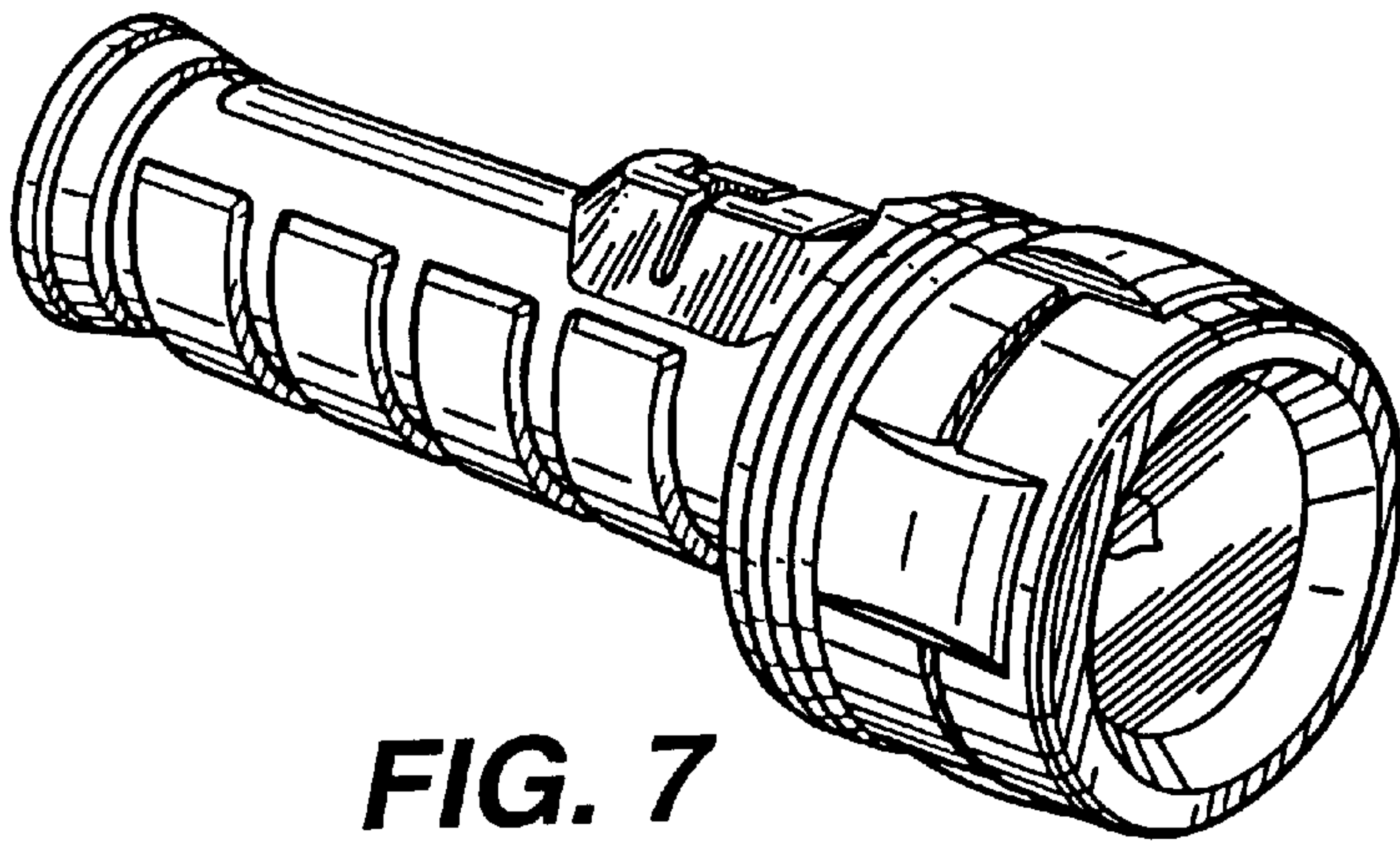
**FIG. 5**



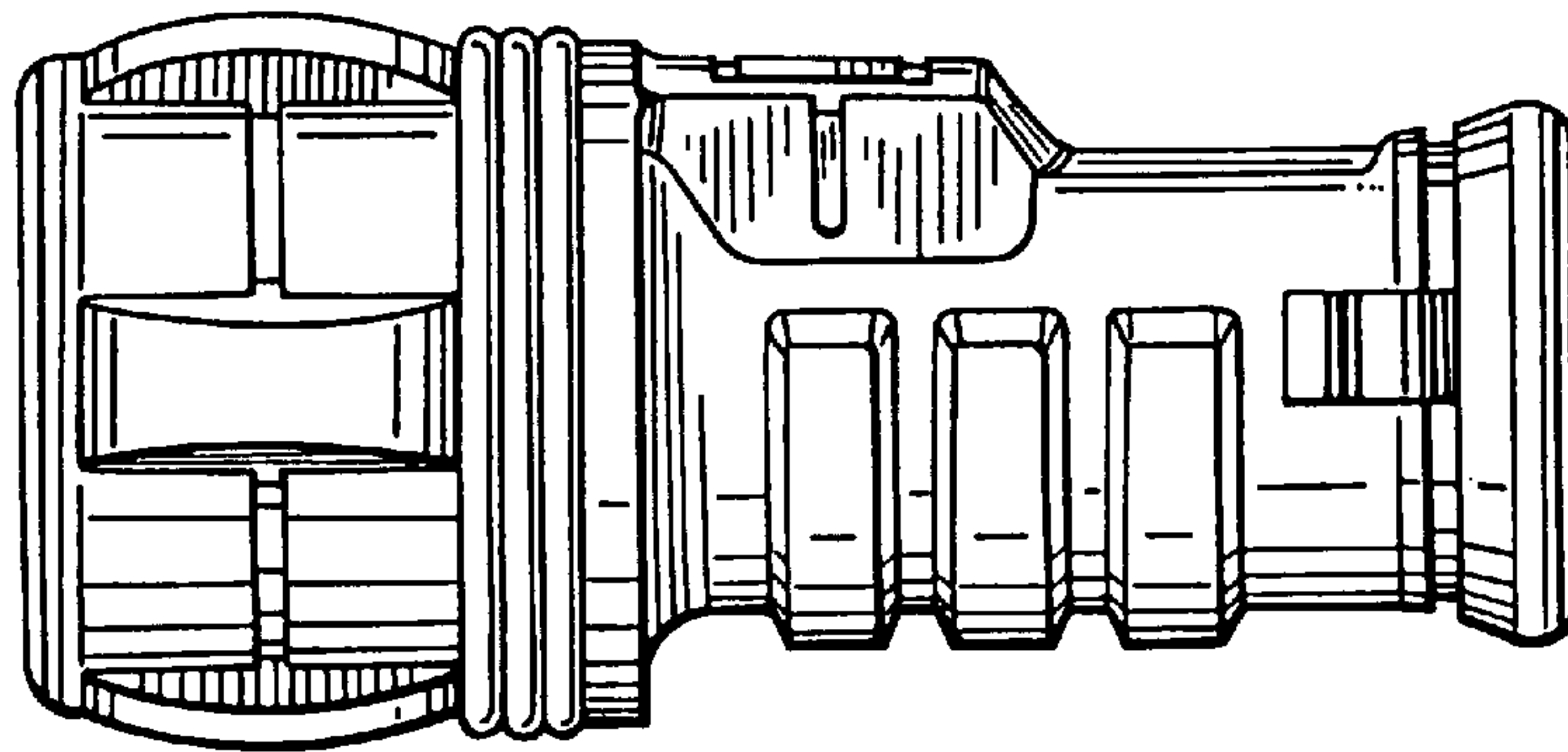
**FIG. 6**



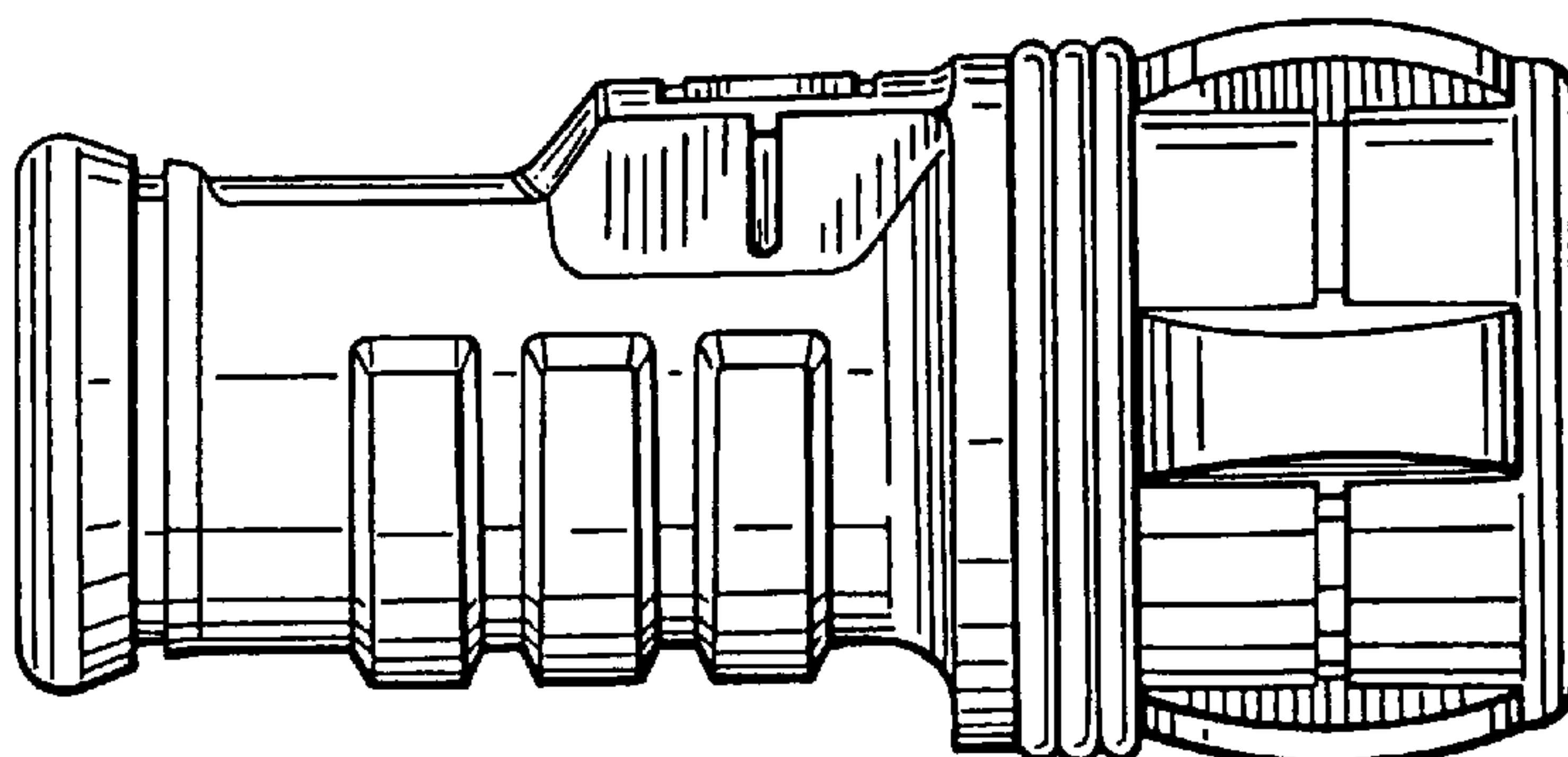
**FIG. 7**



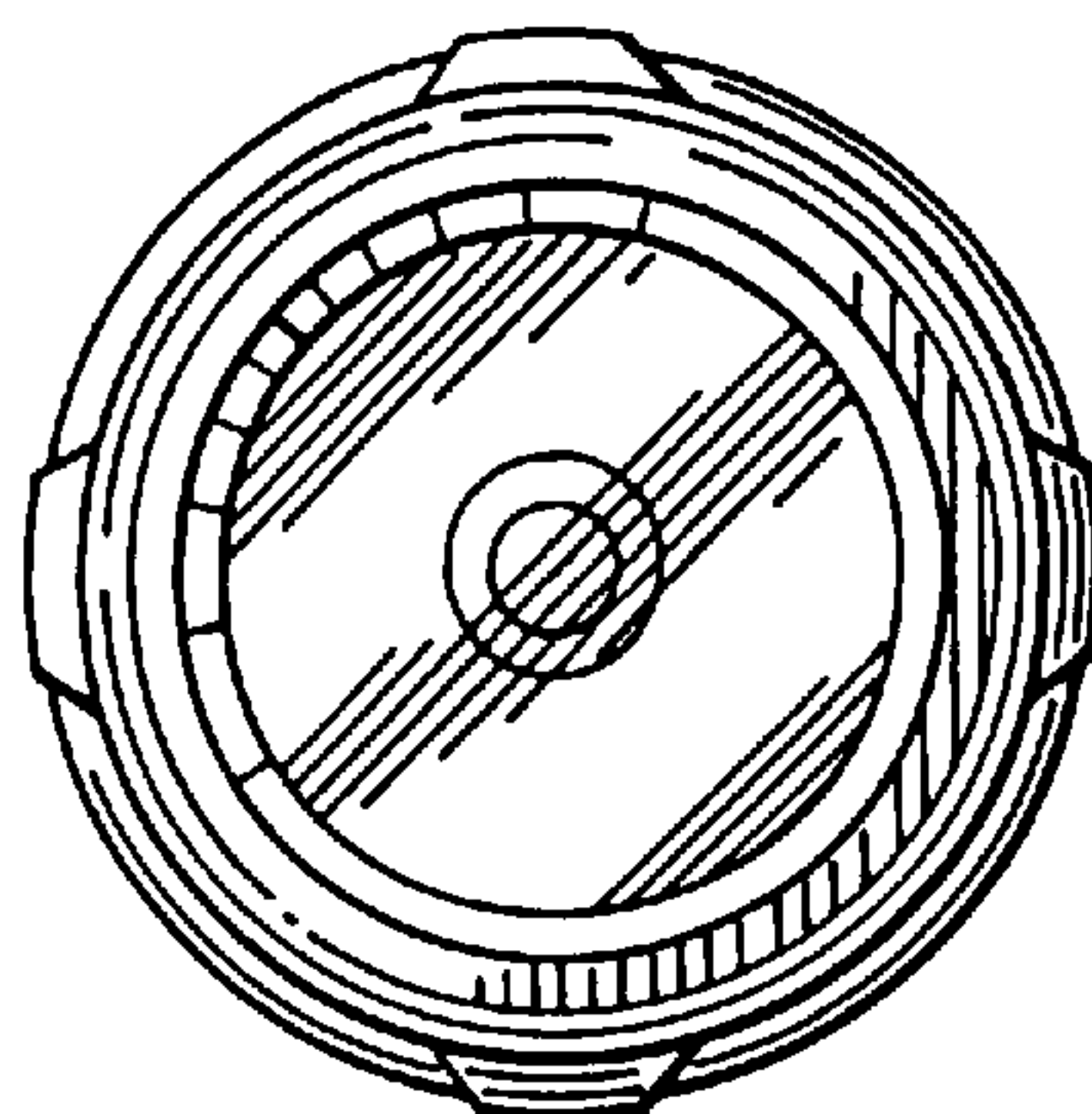
**FIG. 8**



**FIG. 9**

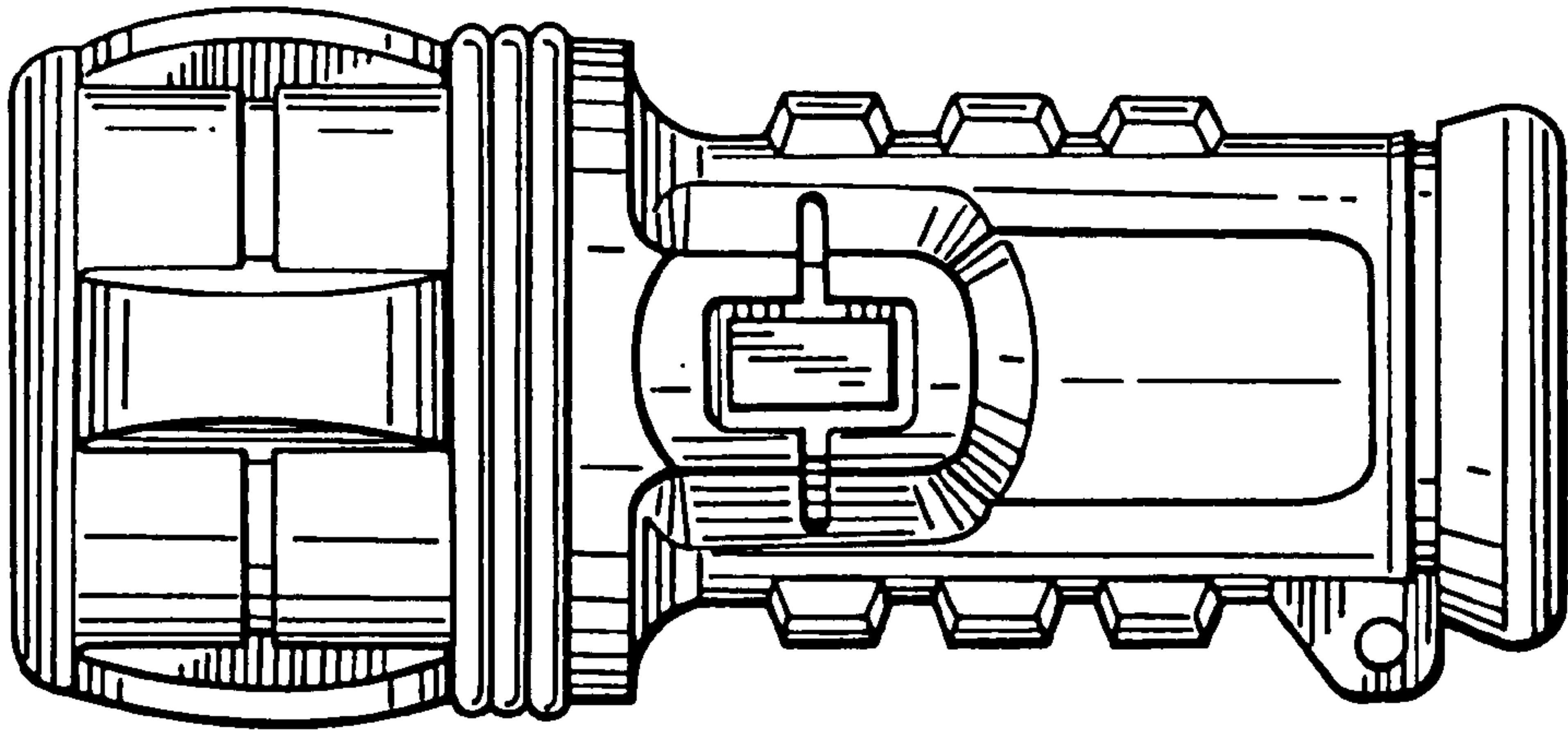


**FIG. 10**

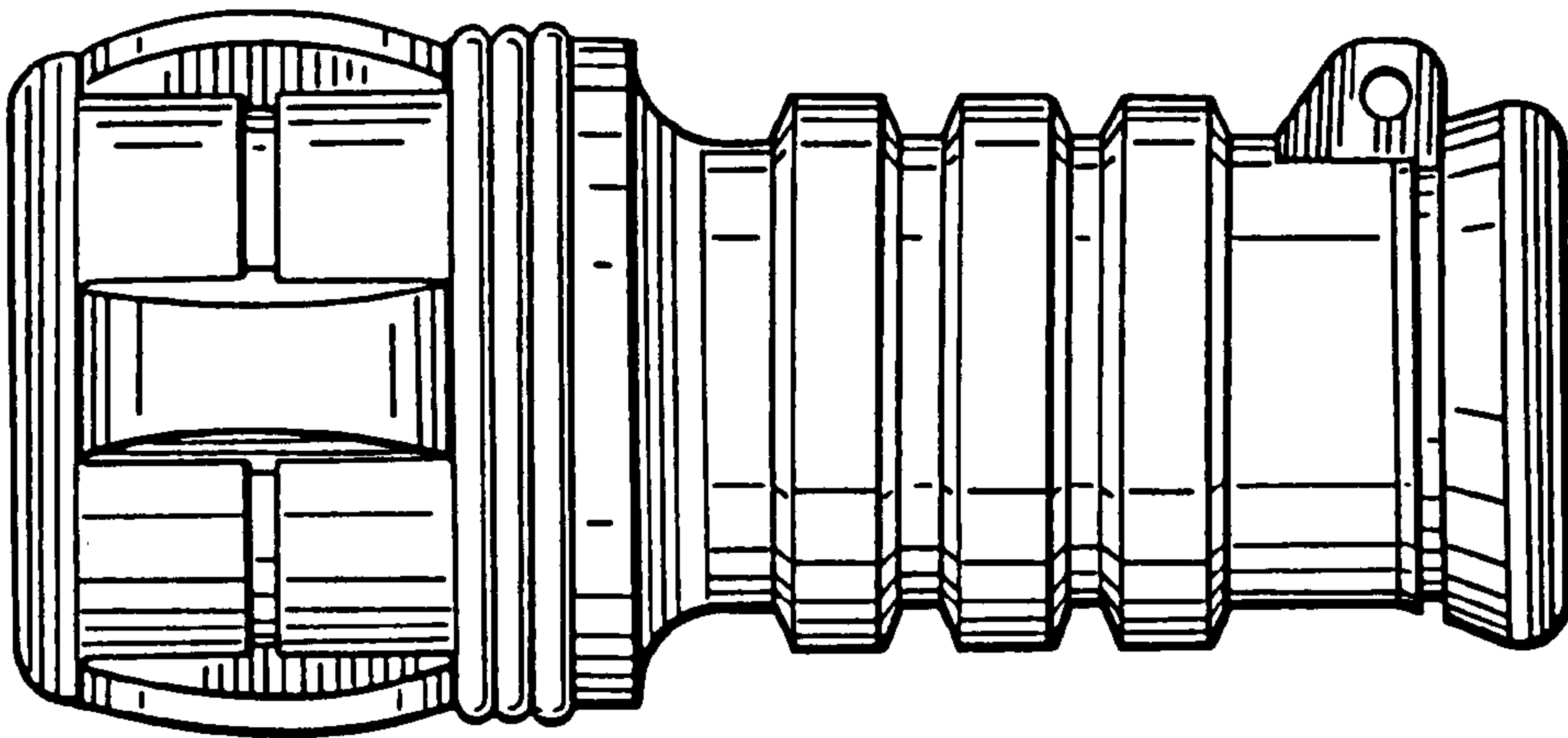




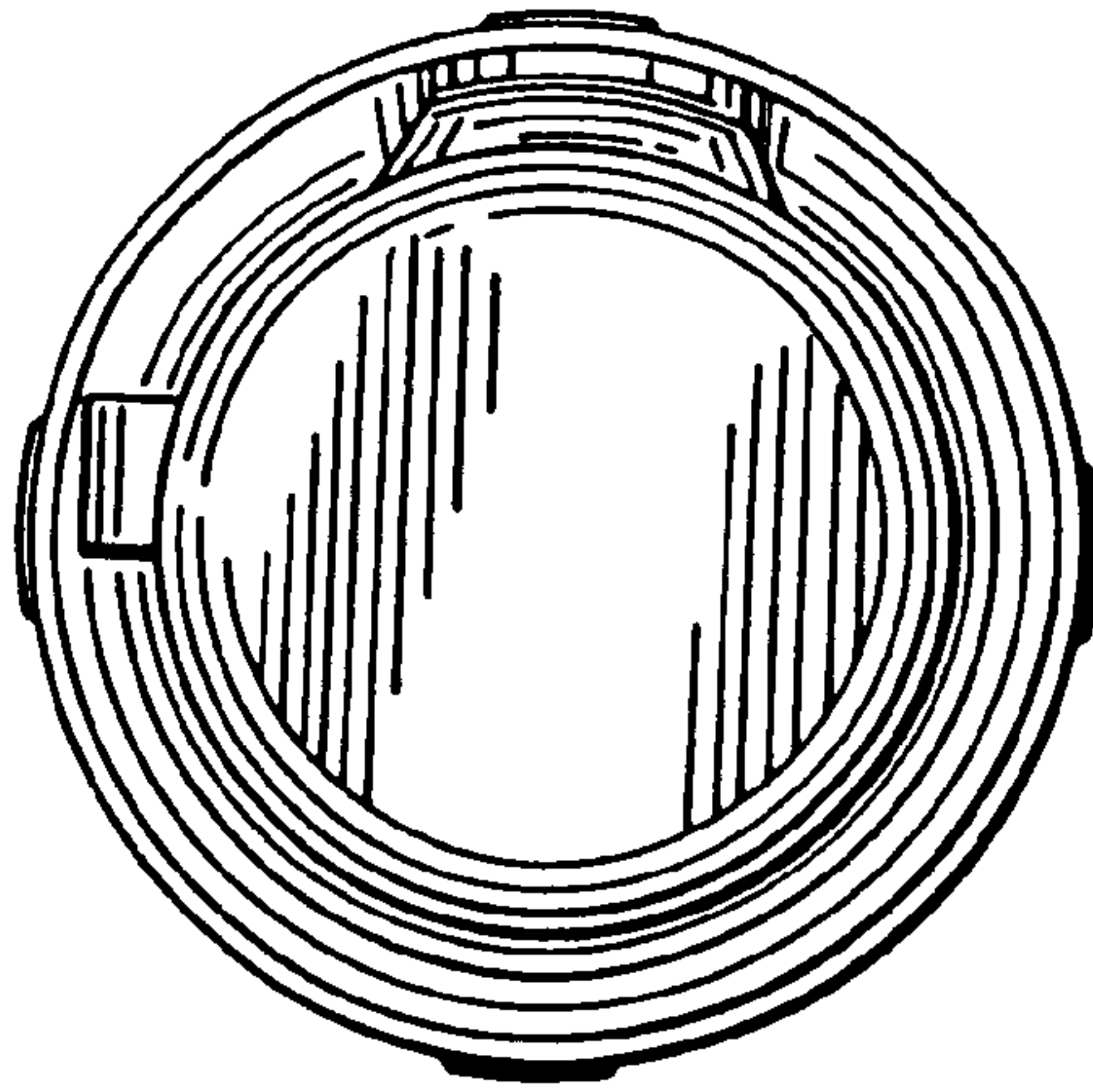
**FIG. 11**



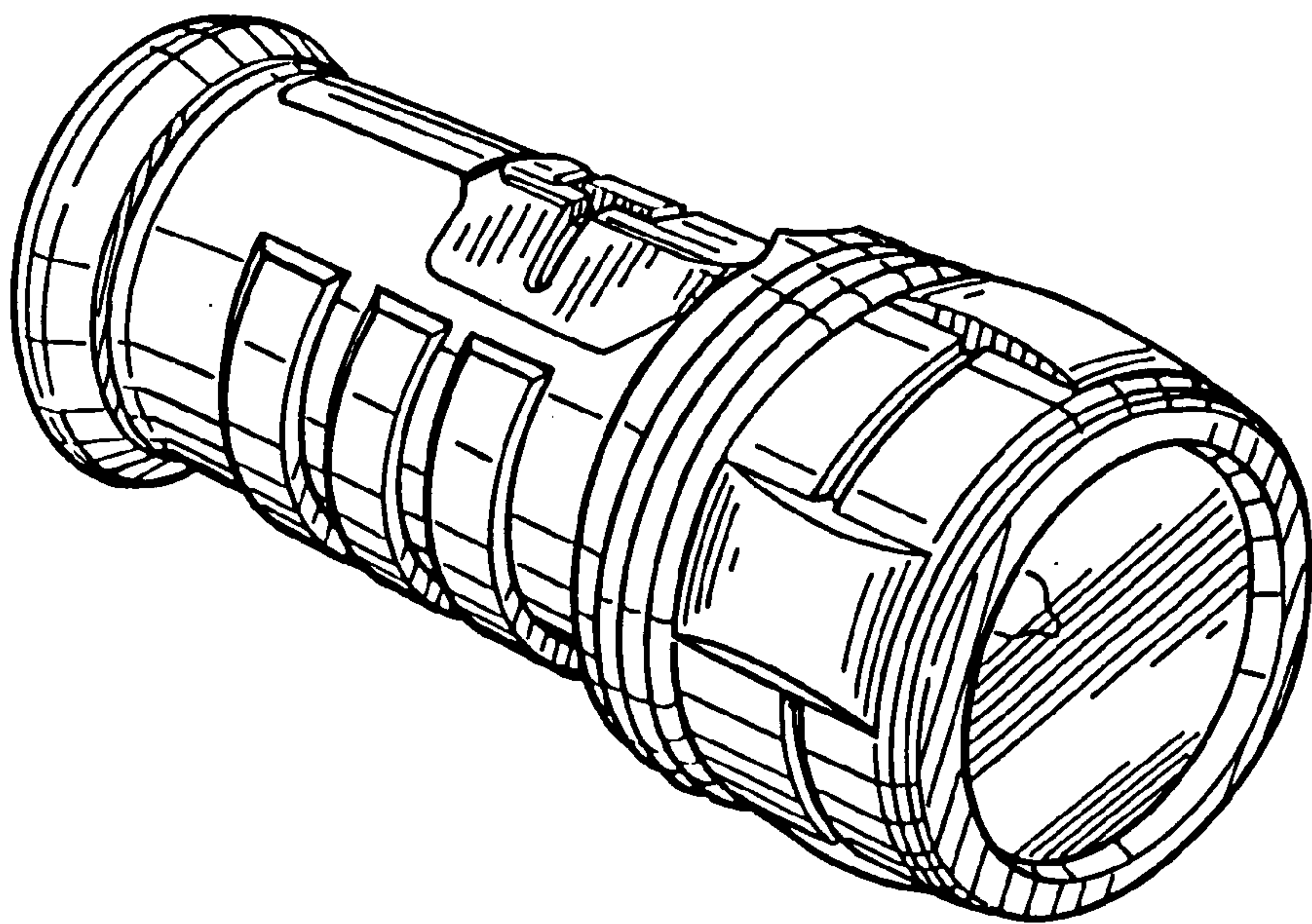
**FIG. 12**



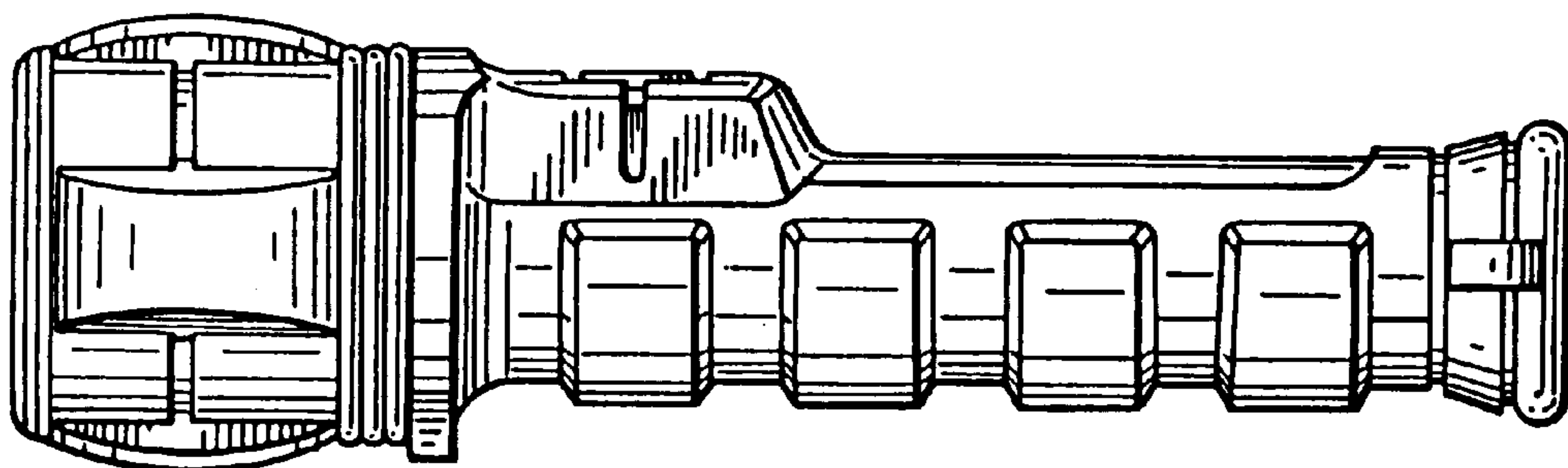
**FIG. 13**



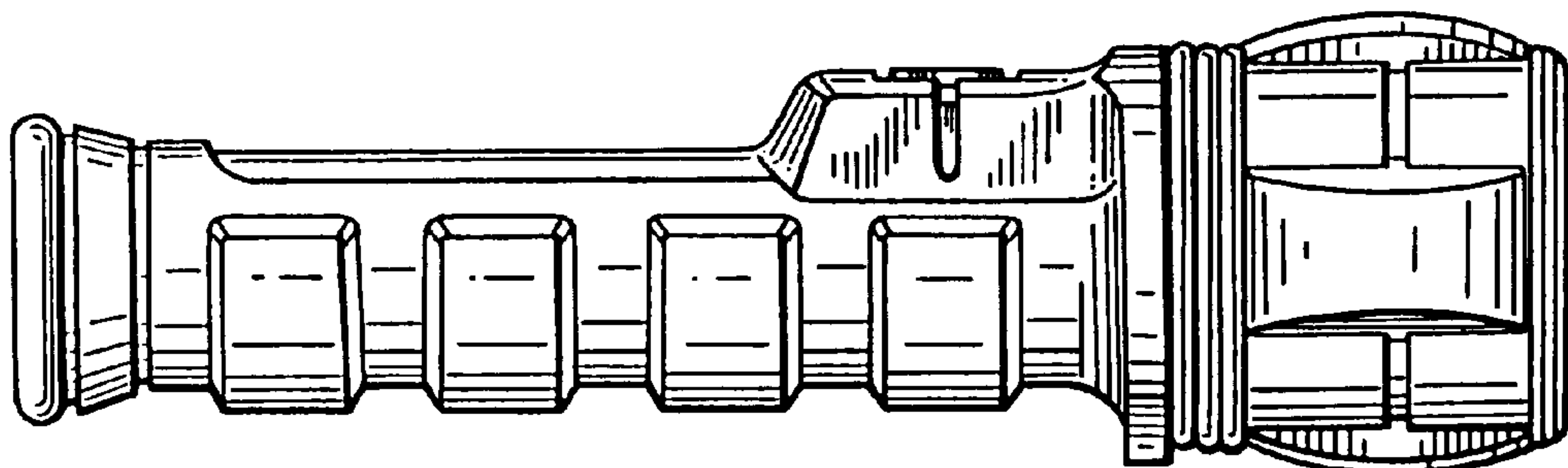
**FIG. 14**



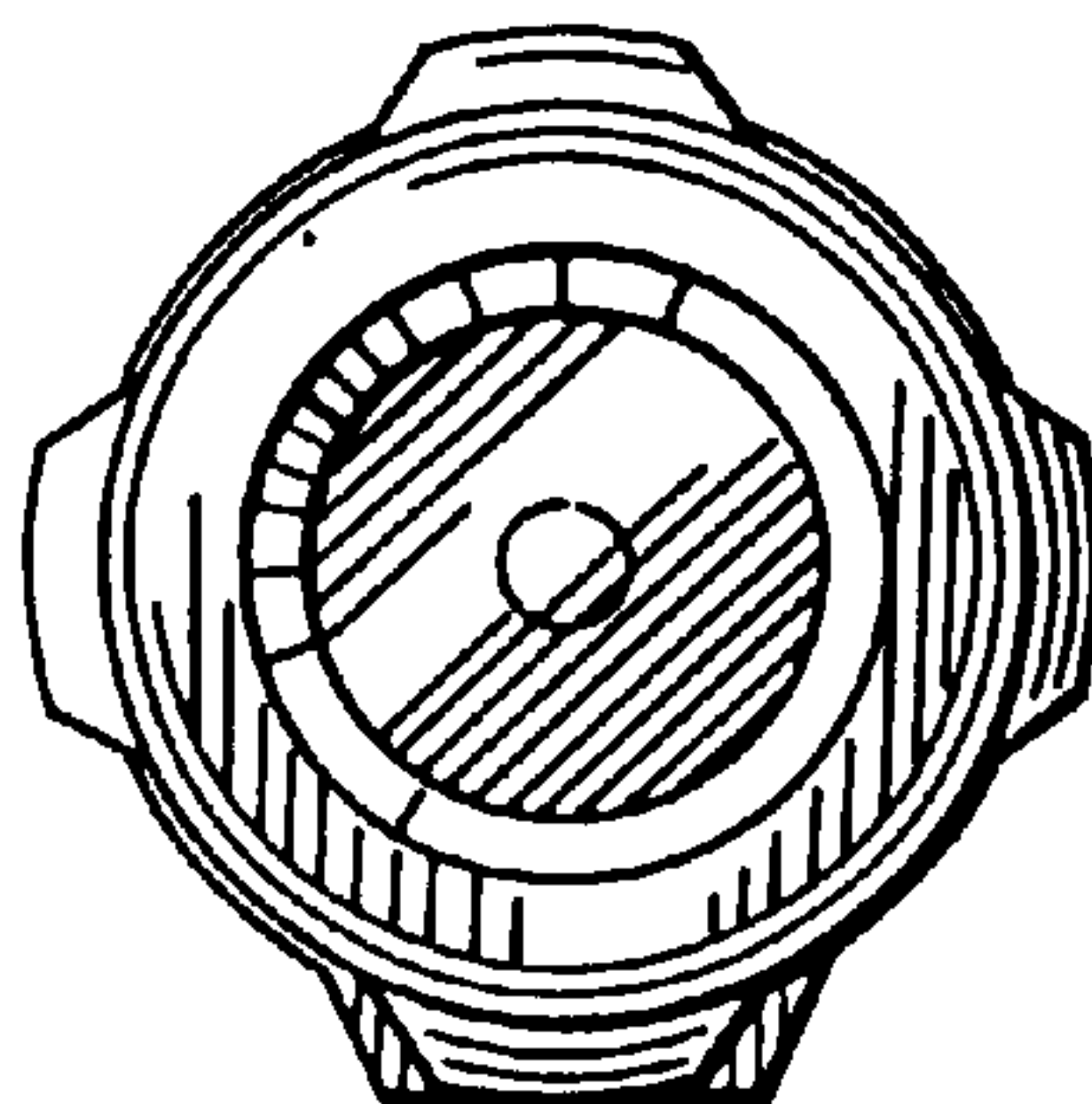
**FIG. 15**



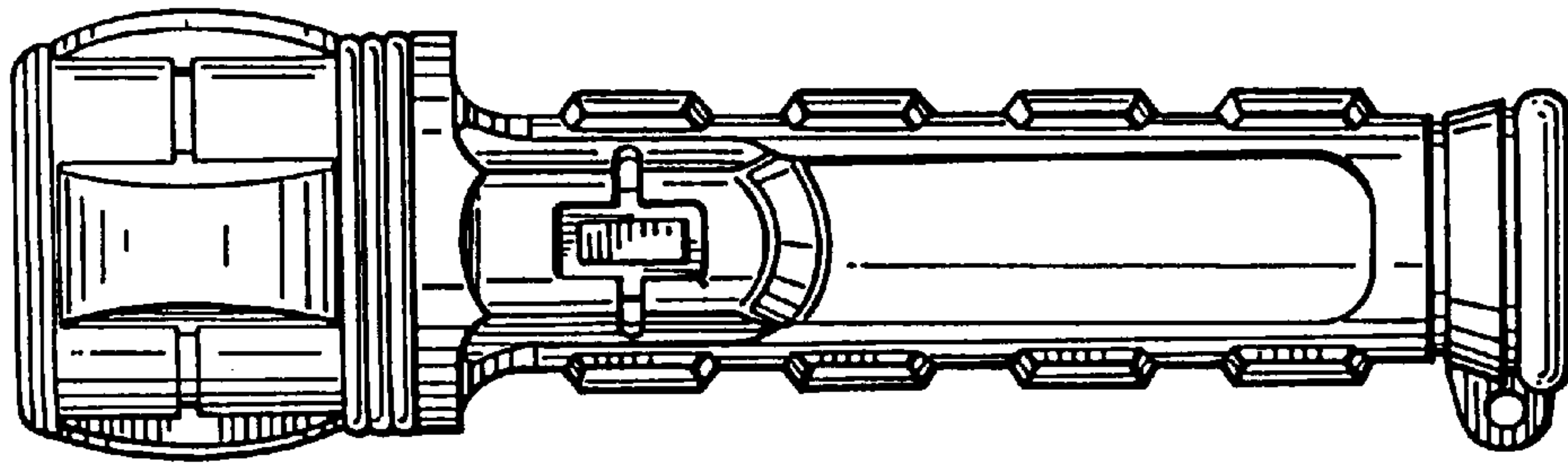
**FIG. 16**



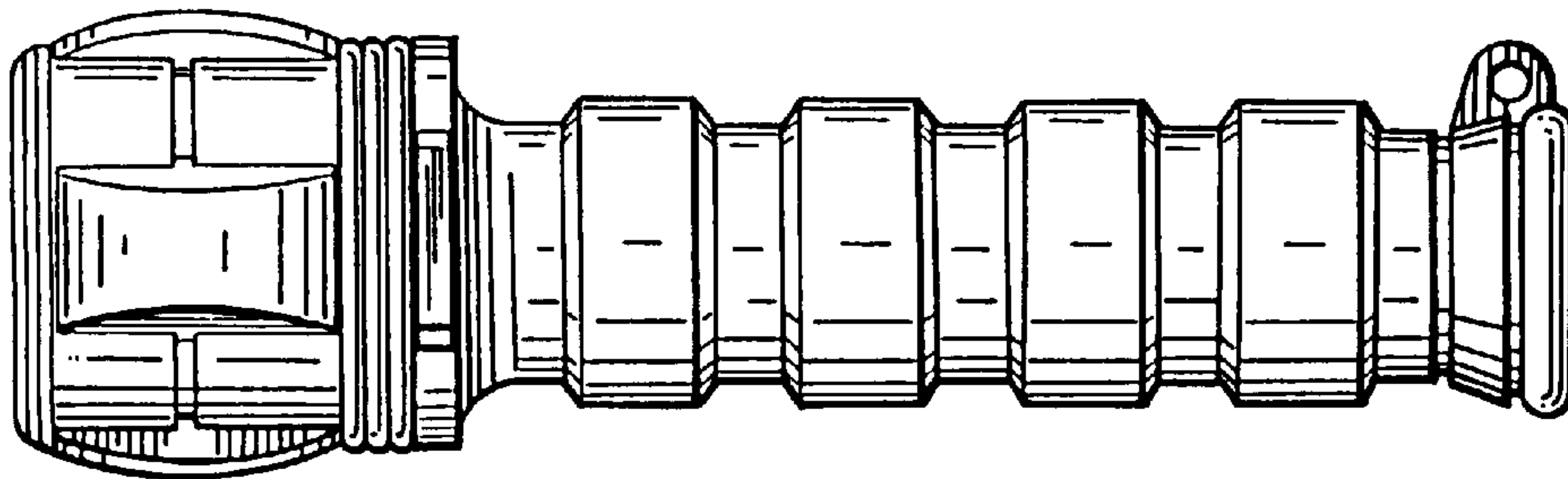
**FIG. 17**



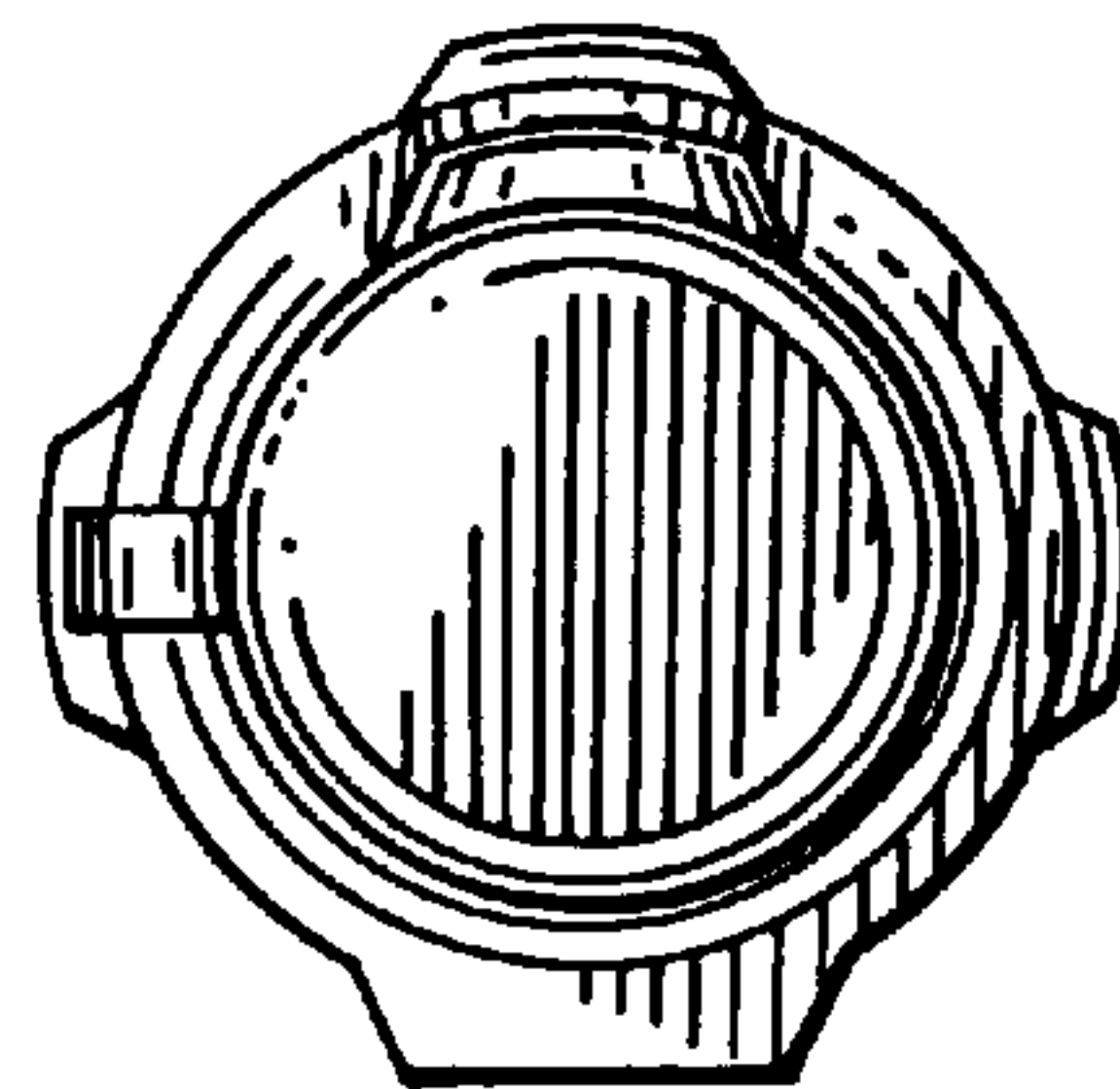
**FIG. 18**



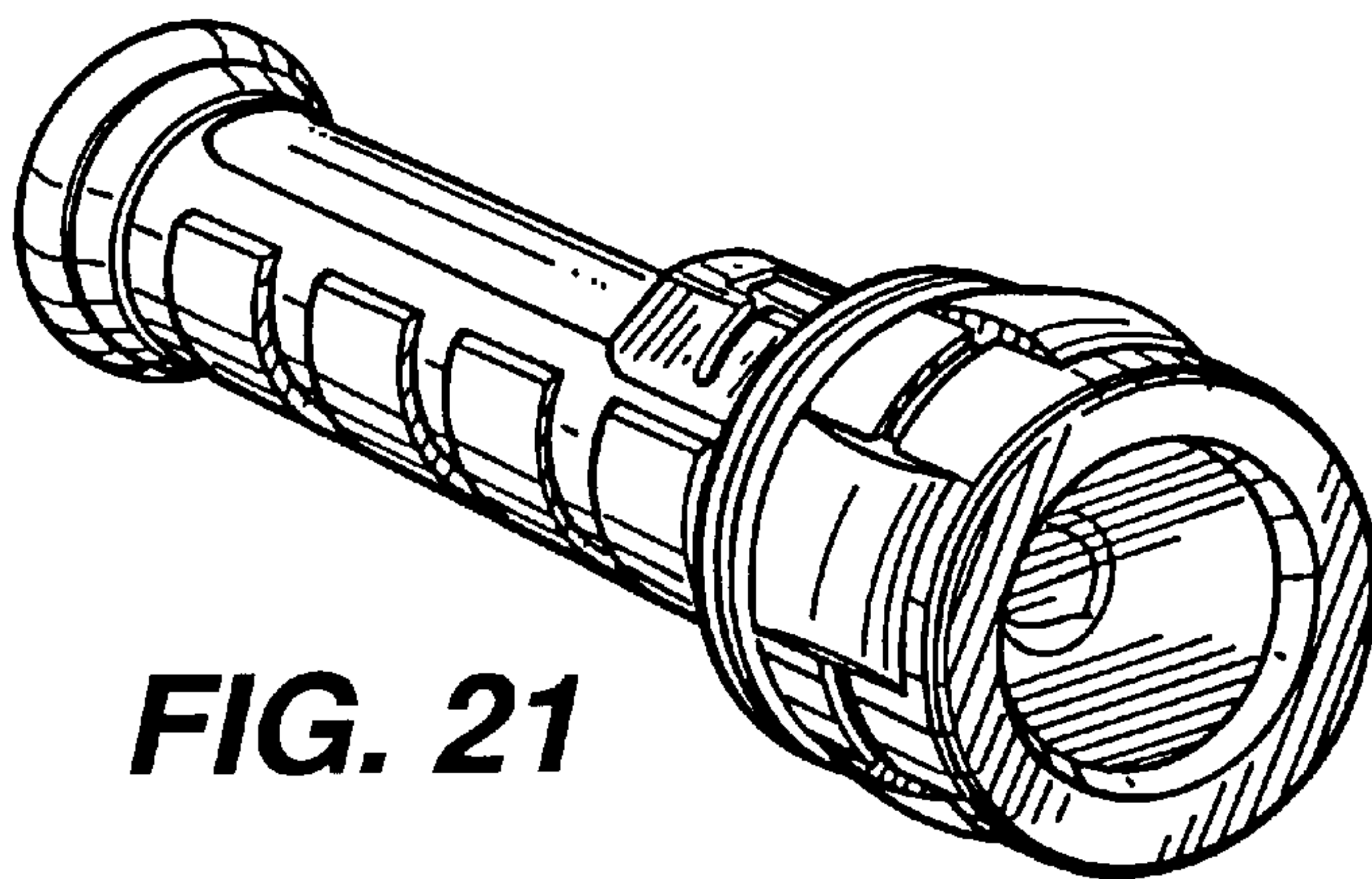
**FIG. 19**



**FIG. 20**



**FIG. 21**





UNITED STATES PATENT AND TRADEMARK OFFICE  
**CERTIFICATE OF CORRECTION**

PATENT NO. : D 422,733

DATED : April 11, 2000

INVENTOR(S) : Kenneth Kung


It is certified that error appears in the above-identified patent and that said Letters Patent is hereby corrected as shown below:

On the Title Page:

Item [75] change "Kennth Kung" to --Kenneth Kung--.

Signed and Sealed this  
Twenty-seventh Day of March, 2001

Attest:



NICHOLAS P. GODICI

Attesting Officer

Acting Director of the United States Patent and Trademark Office