



US00D422731S

# United States Patent [19]

Parsons et al.

[11] Patent Number: **Des. 422,731**

[45] Date of Patent: **\*\* Apr. 11, 2000**

[54] FLASHLIGHT

D. 311,067 10/1990 Chabria ..... D26/46  
D. 394,197 5/1998 Zeller ..... D8/333

[75] Inventors: **Kevin L. Parsons**, Appleton, Wis.;  
**Donald Keller**, Irving; **W Clay Reeves**,  
Dallas, both of Tex.

### OTHER PUBLICATIONS

Photographs of Master Lock Backpack/Luggage Lock.

[73] Assignee: **Armament Systems and Procedures, Inc.**, Appleton, Wis.

*Primary Examiner*—Susan J. Lucas  
*Attorney, Agent, or Firm*—McDonnell Boehnen Hulbert & Berghoff

[\*\*] Term: **14 Years**

### [57] CLAIM

[21] Appl. No.: **29/092,761**

The ornamental design for a flashlight, as shown and described.

[22] Filed: **Aug. 26, 1998**

### DESCRIPTION

#### Related U.S. Application Data

[63] Continuation-in-part of application No. 29/088,506, May 26, 1998, abandoned.

FIG. 1 is a perspective view of the flashlight.  
FIG. 2 is a front elevational view of the flashlight.  
FIG. 3 is a side elevational view of the flashlight, as seen from the left hand side of the flashlight.  
FIG. 4 is a side elevational view of flashlight, as seen from the right hand side of the flashlight.  
FIG. 5 is a rear elevational view of the flashlight.  
FIG. 6 is a top plan view of the flashlight; and,  
FIG. 7 is a bottom plan view of the flashlight.  
The broken lines are shown for illustrative purposes only and form no part of the claimed design.

[51] **LOC (6) Cl.** ..... **26-02**

[52] **U.S. Cl.** ..... **D26/46**

[58] **Field of Search** ..... D26/37-50; 362/86,  
362/87, 183-208; D8/330, 331, 342, 333,  
338, 339; 70/63, 64, 66, 69

#### [56] References Cited

##### U.S. PATENT DOCUMENTS

D. 290,518 6/1987 Rakocy et al. .... D26/48

**1 Claim, 2 Drawing Sheets**

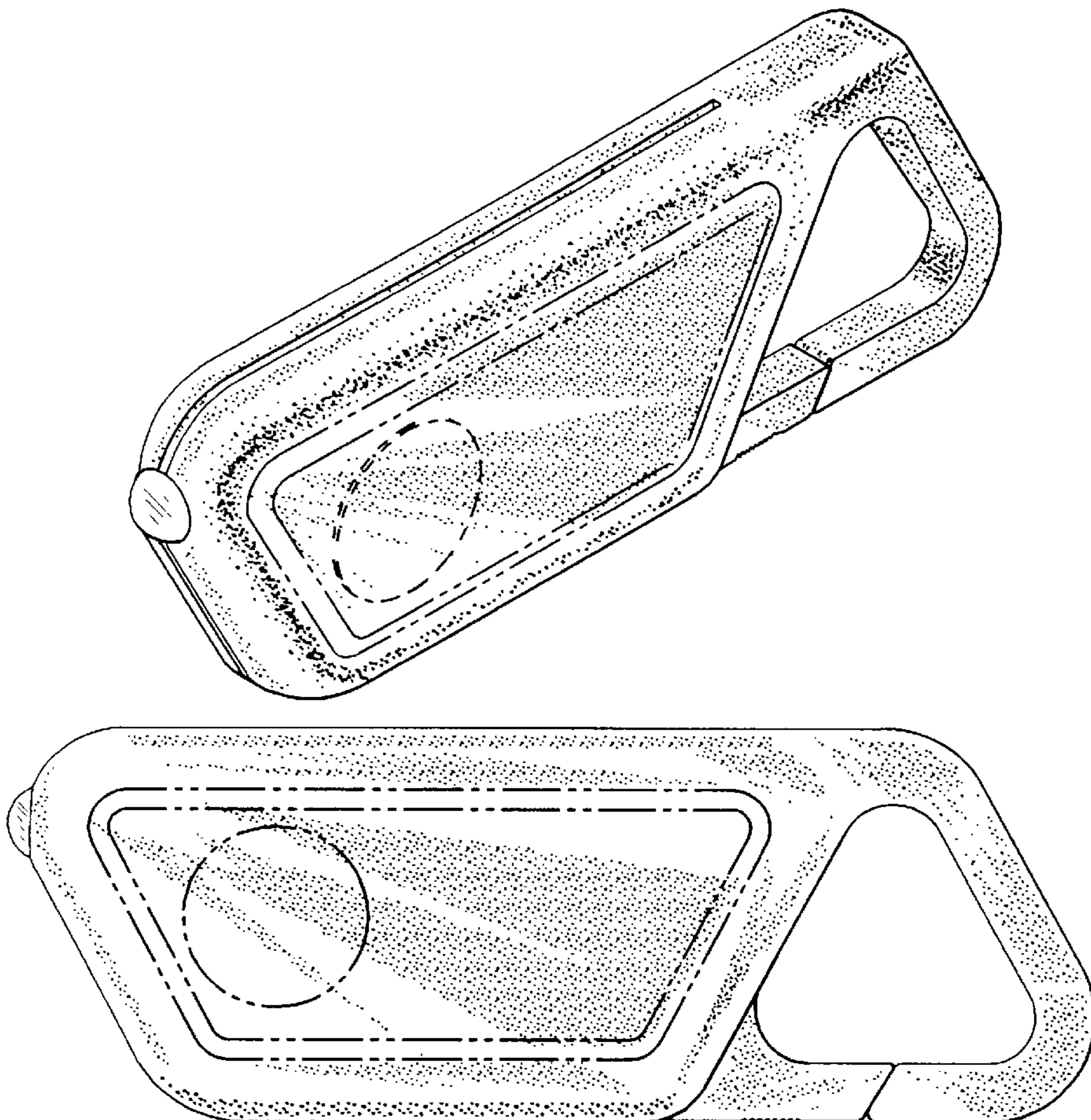


FIG. 1

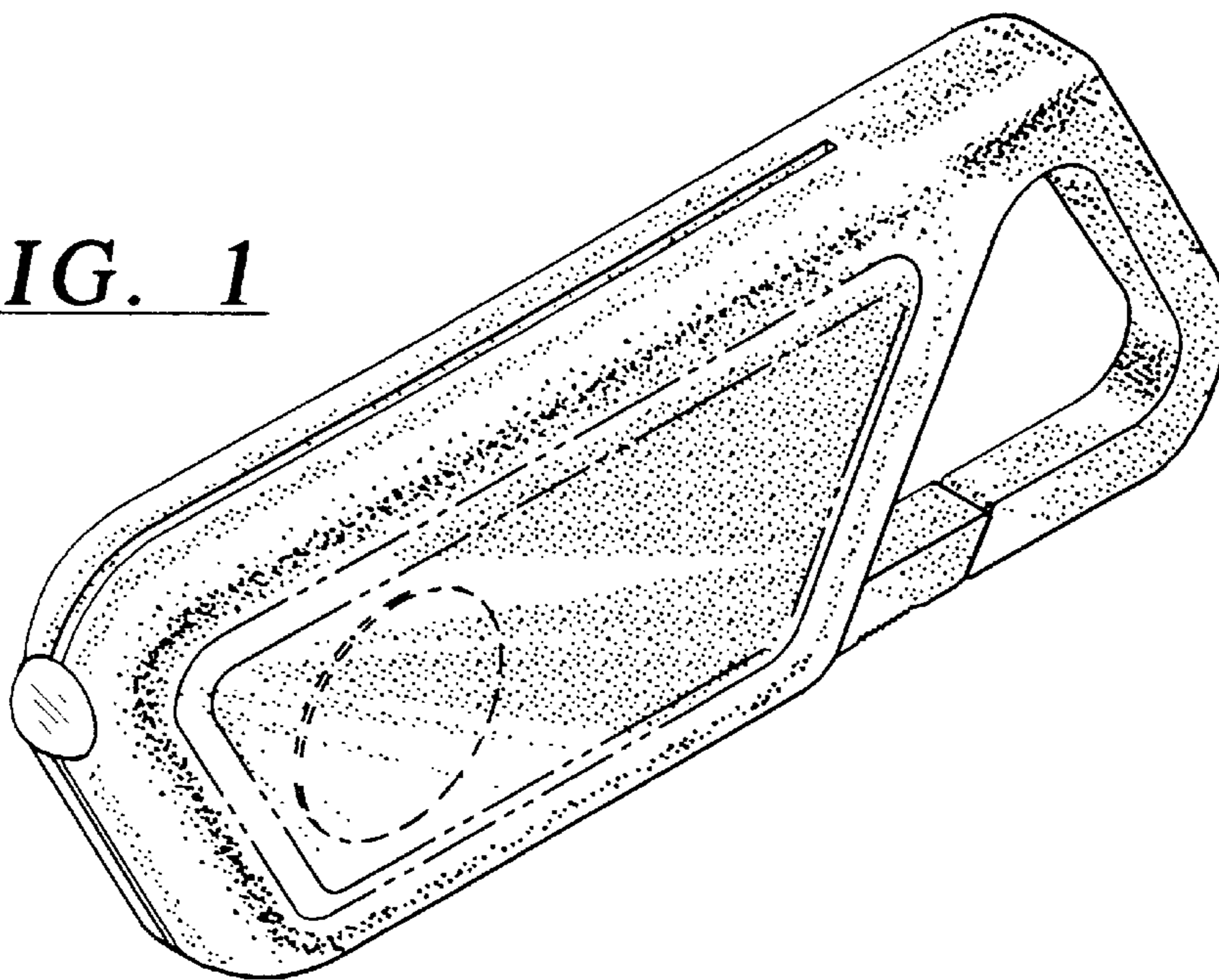


FIG. 2

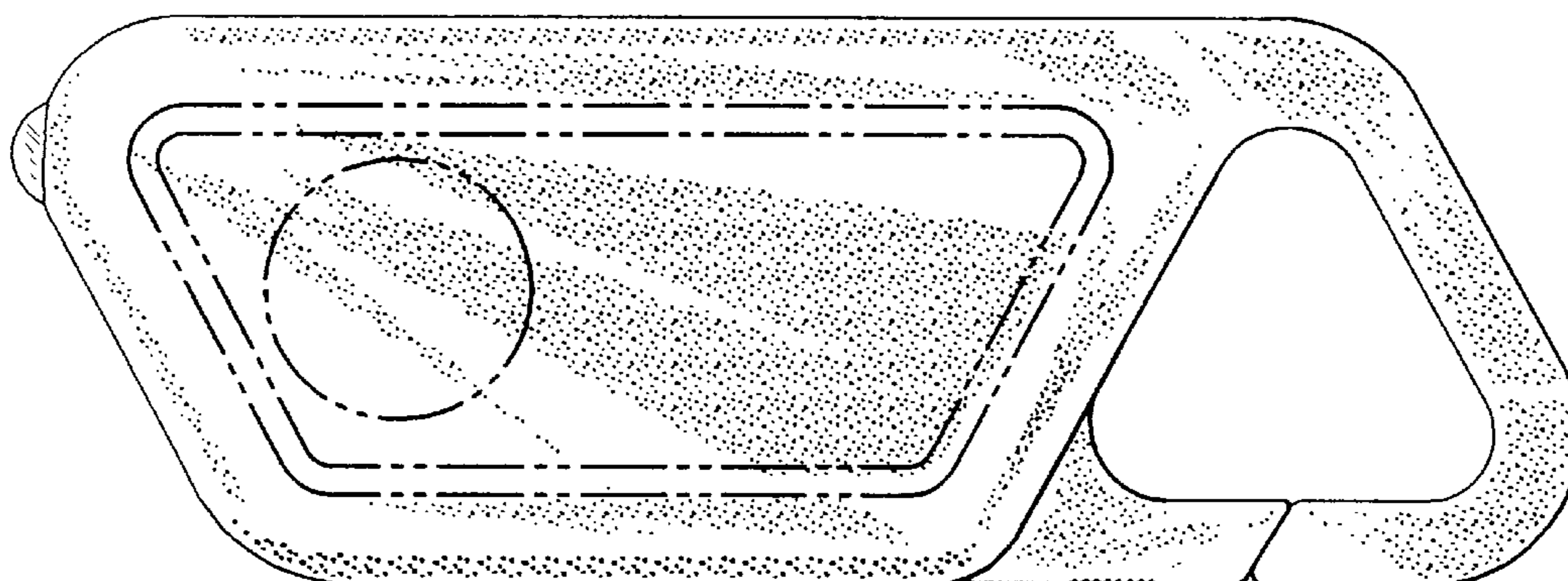


FIG. 3

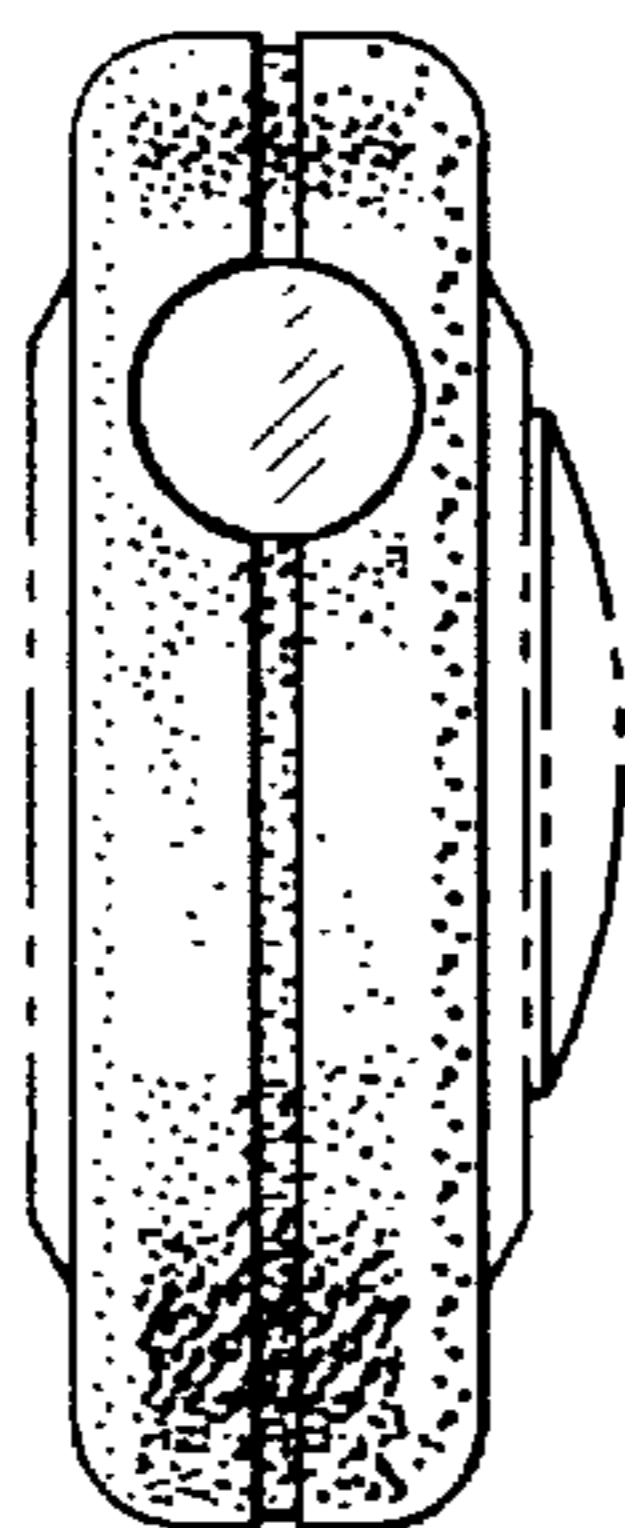


FIG. 4

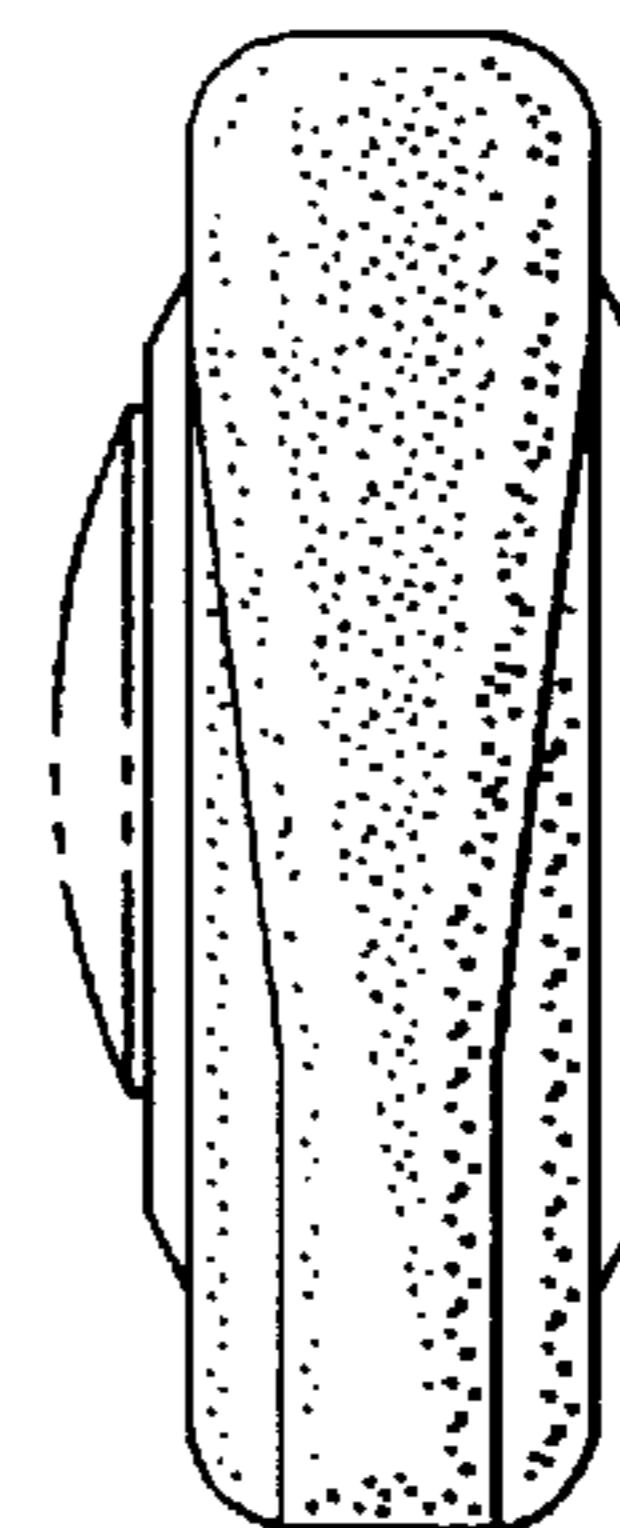


FIG. 5

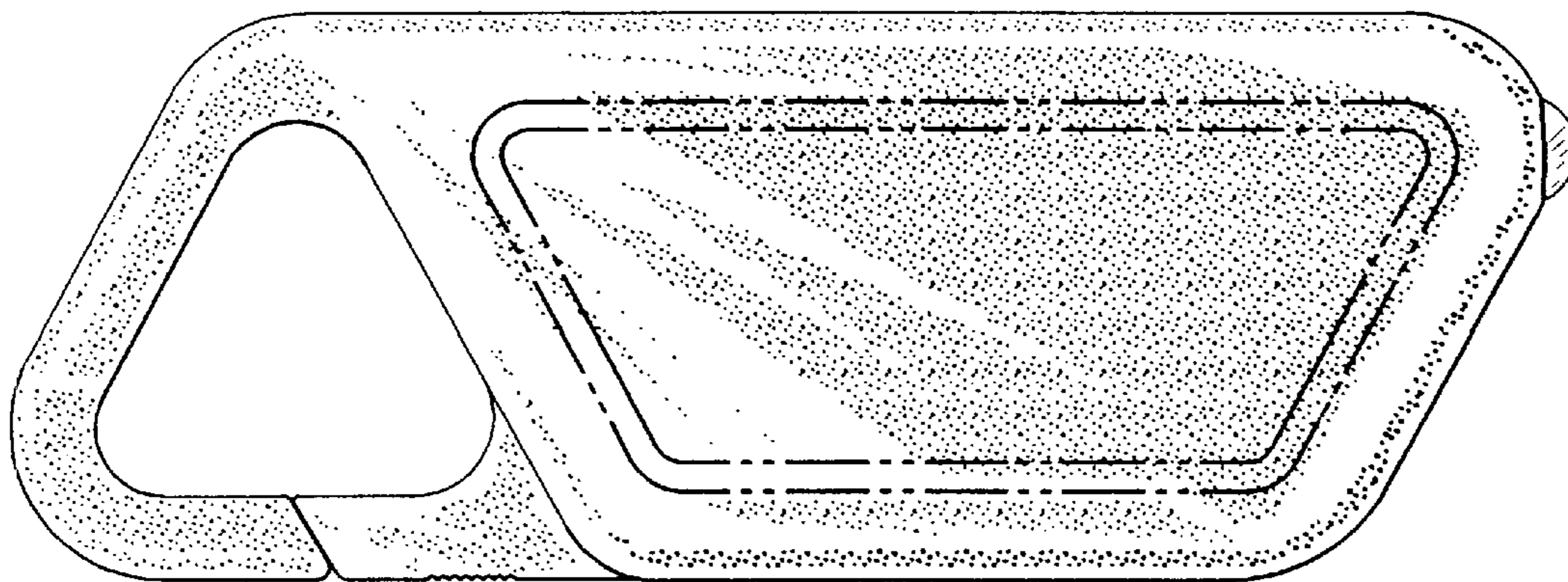


FIG. 6

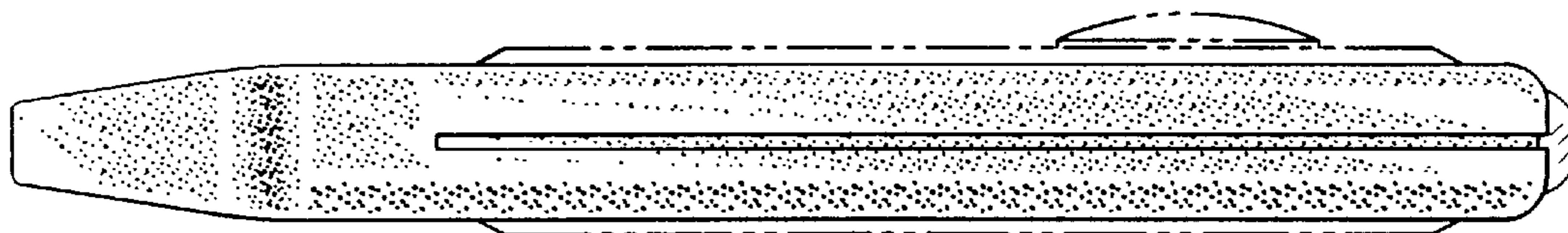


FIG. 7

