



US00D422728S

United States Patent [19] Yuen

[11] Patent Number: Des. 422,728

[45] Date of Patent: ** Apr. 11, 2000

[54] **COMBINED LANTERN AND TOOL HOLDER**

[75] Inventor: **John Se-Kit Yuen**, Kowloon, The Hong Kong Special Administrative Region of the People's Republic of China

[73] Assignee: **John Manufacturing Limited**, Kowloon, The Hong Kong Special Administrative Region of the People's Republic of China

[**] Term: **14 Years**

[21] Appl. No.: **29/104,996**

[22] Filed: **May 14, 1999**

[30] **Foreign Application Priority Data**

Nov. 18, 1998 [GB] United Kingdom 2 079 240

[51] **LOC (6) Cl.** **26-02**

[52] **U.S. Cl.** **D26/38; D3/274**

[58] **Field of Search** **D26/37-50; D3/274, D3/905; 362/109, 154, 183-208**

[56] **References Cited**

U.S. PATENT DOCUMENTS

D. 376,908	12/1996	Hsu	D26/38
D. 389,593	1/1998	Shiao	D26/38
D. 412,371	7/1999	Yuen	D26/38

Primary Examiner—Marcus A. Jackson
Attorney, Agent, or Firm—Beall Law Offices

[57] **CLAIM**

The ornamental design for a "combined lantern and tool holder," as shown and described.

DESCRIPTION

FIG. 1 is a perspective view of a combined lantern and tool holder showing my new design; FIG. 2 is a left side elevational view thereof; FIG. 3 is a front elevational view thereof; FIG. 4 is a right side elevational view thereof; FIG. 5 is a rear elevational view thereof; FIG. 6 is a top plan elevational view thereof; and, FIG. 7 is a bottom plan elevational view thereof.

1 Claim, 3 Drawing Sheets

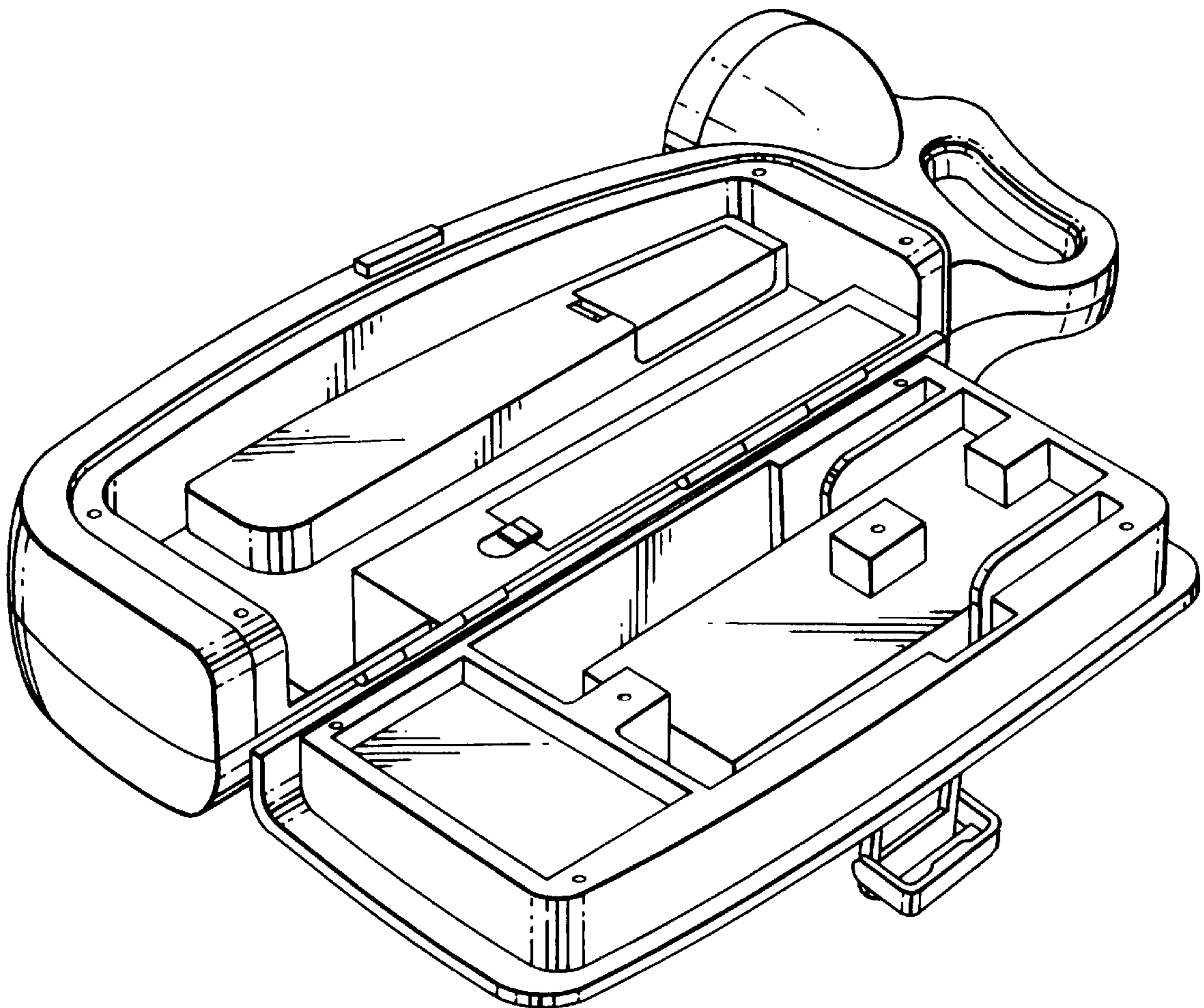


FIG. 1

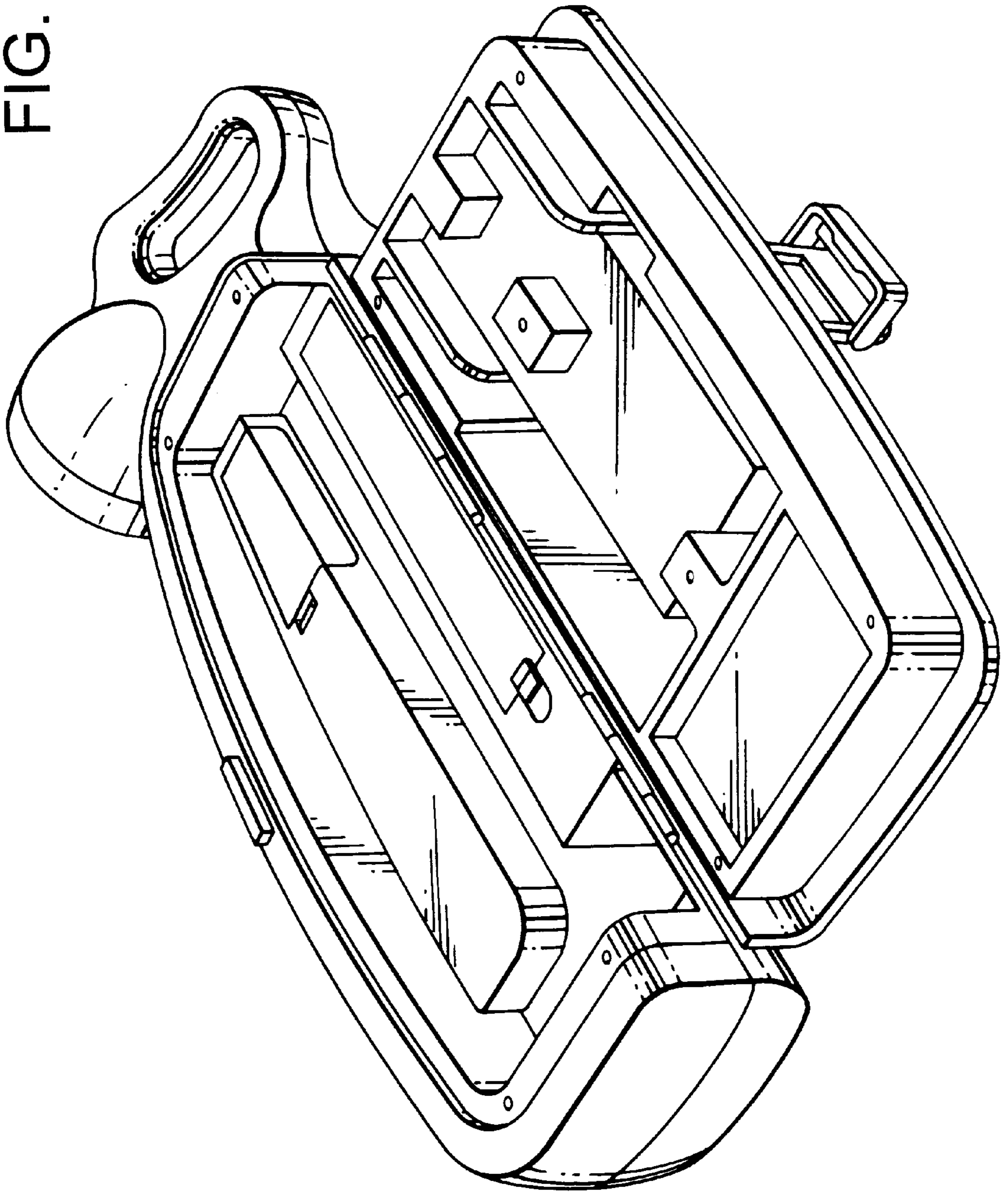


FIG. 4

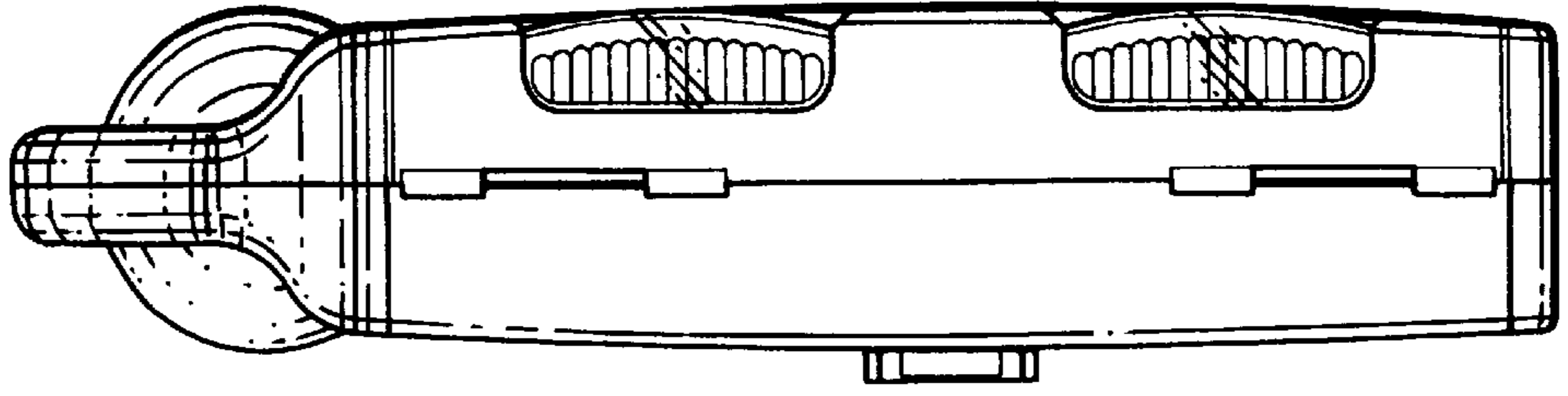


FIG. 3

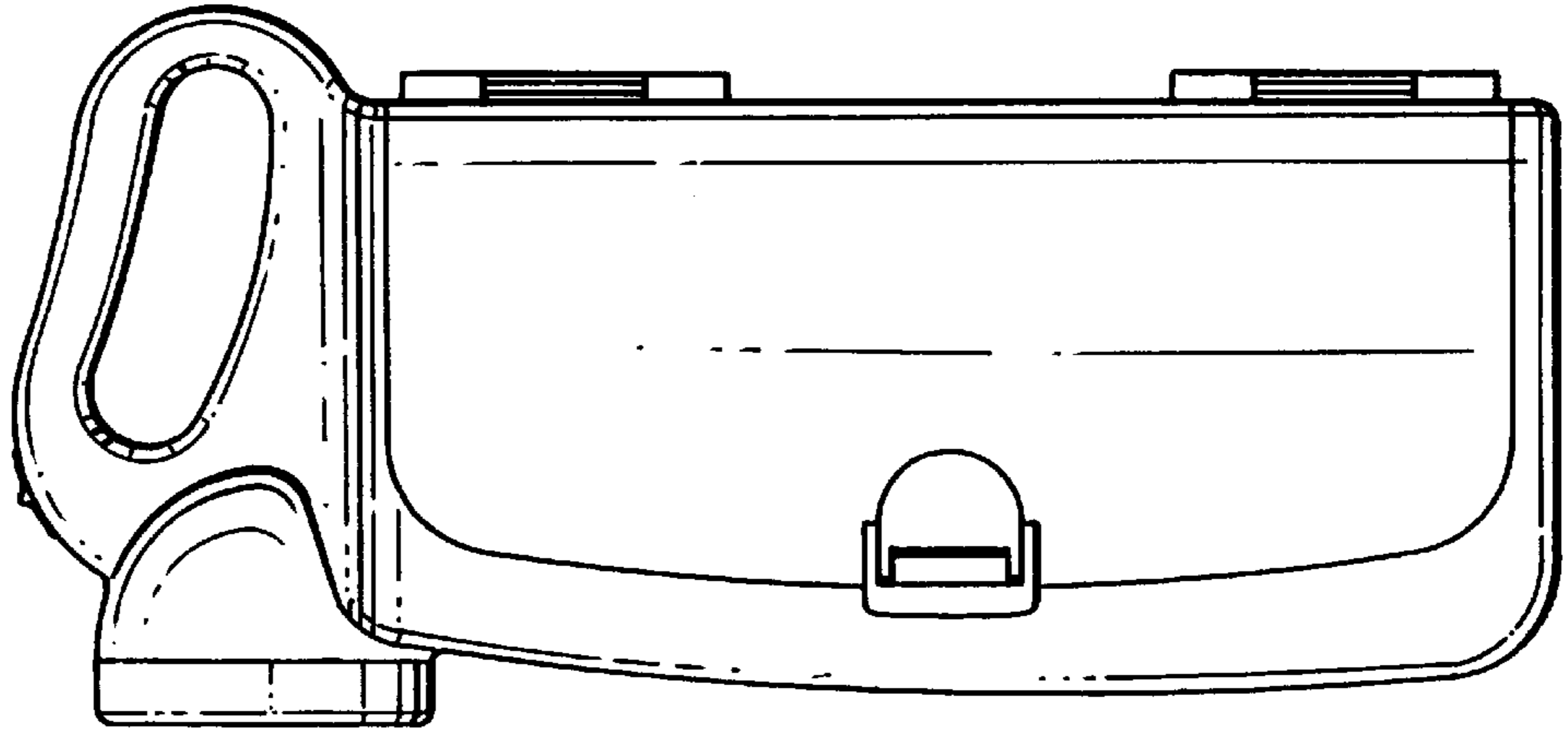


FIG. 2

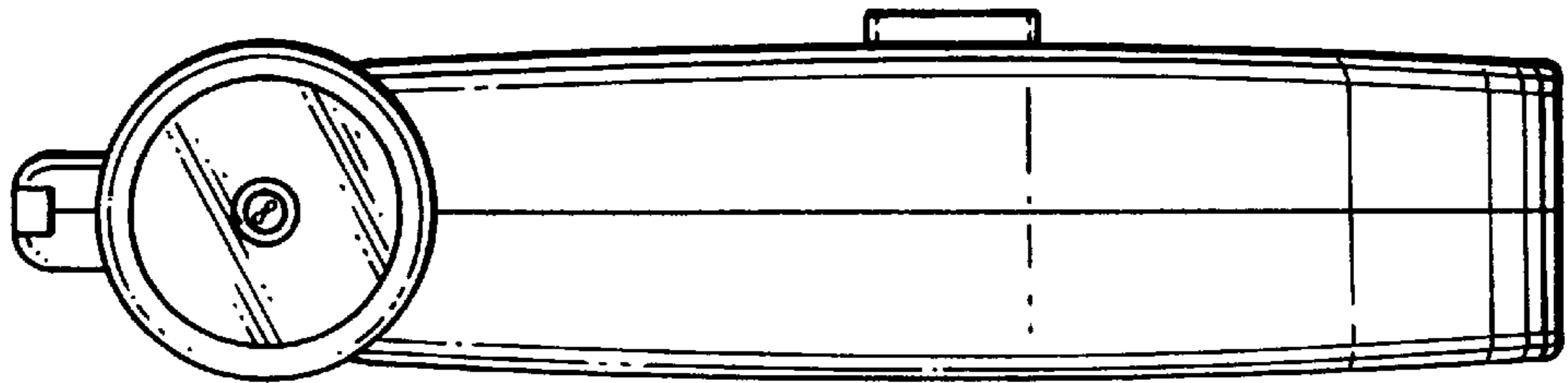


FIG. 5

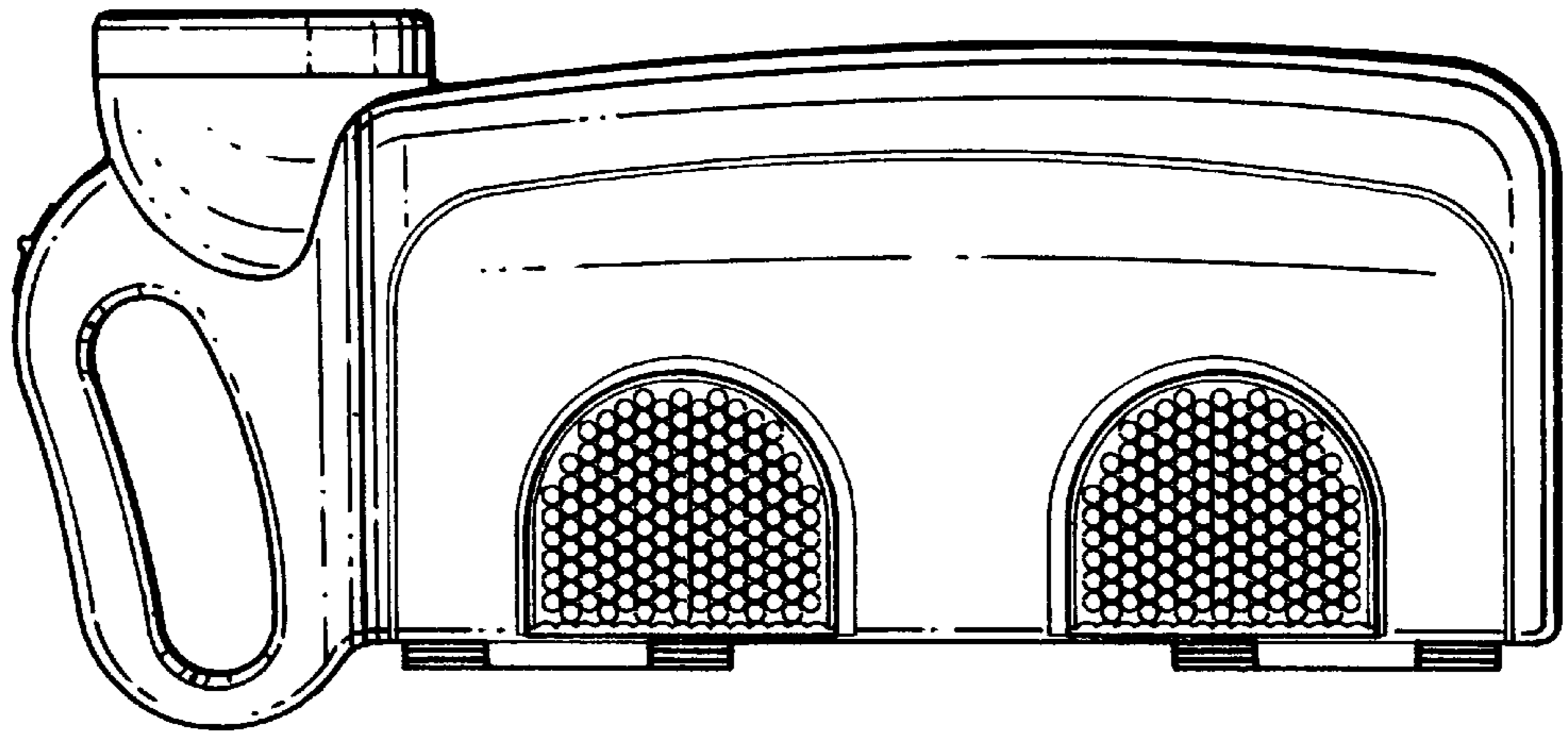


FIG. 6

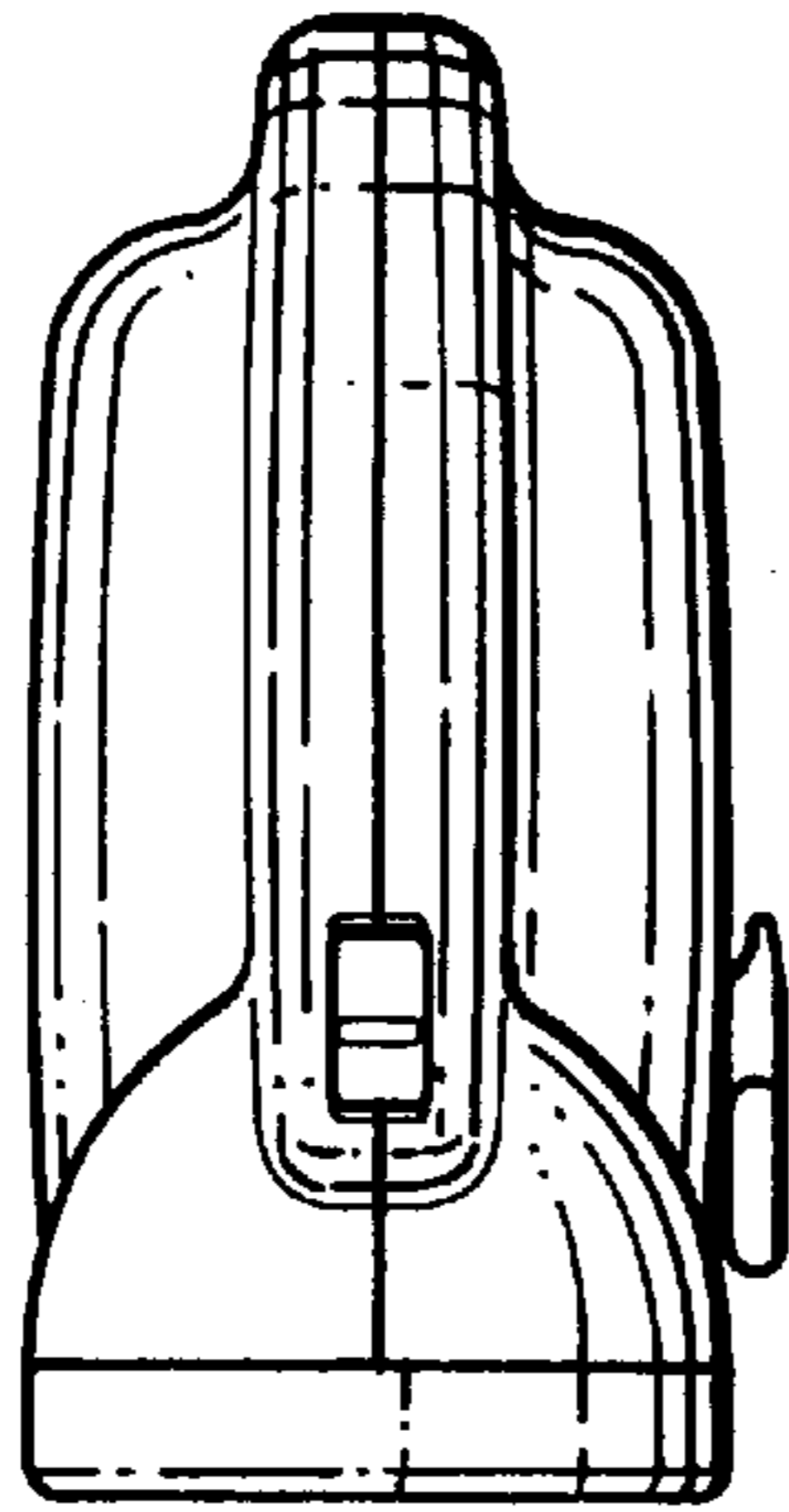


FIG. 7

