



US00D422726S

United States Patent [19]

[11] **Patent Number: Des. 422,726**

Ford et al.

[45] **Date of Patent: ** Apr. 11, 2000**

[54] **PORTABLE LIGHT**

[76] Inventors: **Timothy D. F. Ford**, 7 Redfern Place, Beaconsfield, Quebec, Canada, H9W 4M7; **Michel S. Côté**, 4181 de la Seine, Apartment 702, Laval, Quebec, Canada, H7W 5E3

[**] Term: **14 Years**

[21] Appl. No.: **29/107,194**

[22] Filed: **Jul. 1, 1999**

[51] **LOC (6) Cl. 26-02**

[52] **U.S. Cl. D26/37**

[58] **Field of Search D26/37-50; 362/157, 362/158, 183-208**

[56] **References Cited**

U.S. PATENT DOCUMENTS

- D. 384,181 9/1997 Borden D26/37
- D. 397,233 8/1998 Bassford D26/37

Primary Examiner—Marcus A. Jackson
Attorney, Agent, or Firm—Goudreau Gage Dubuc

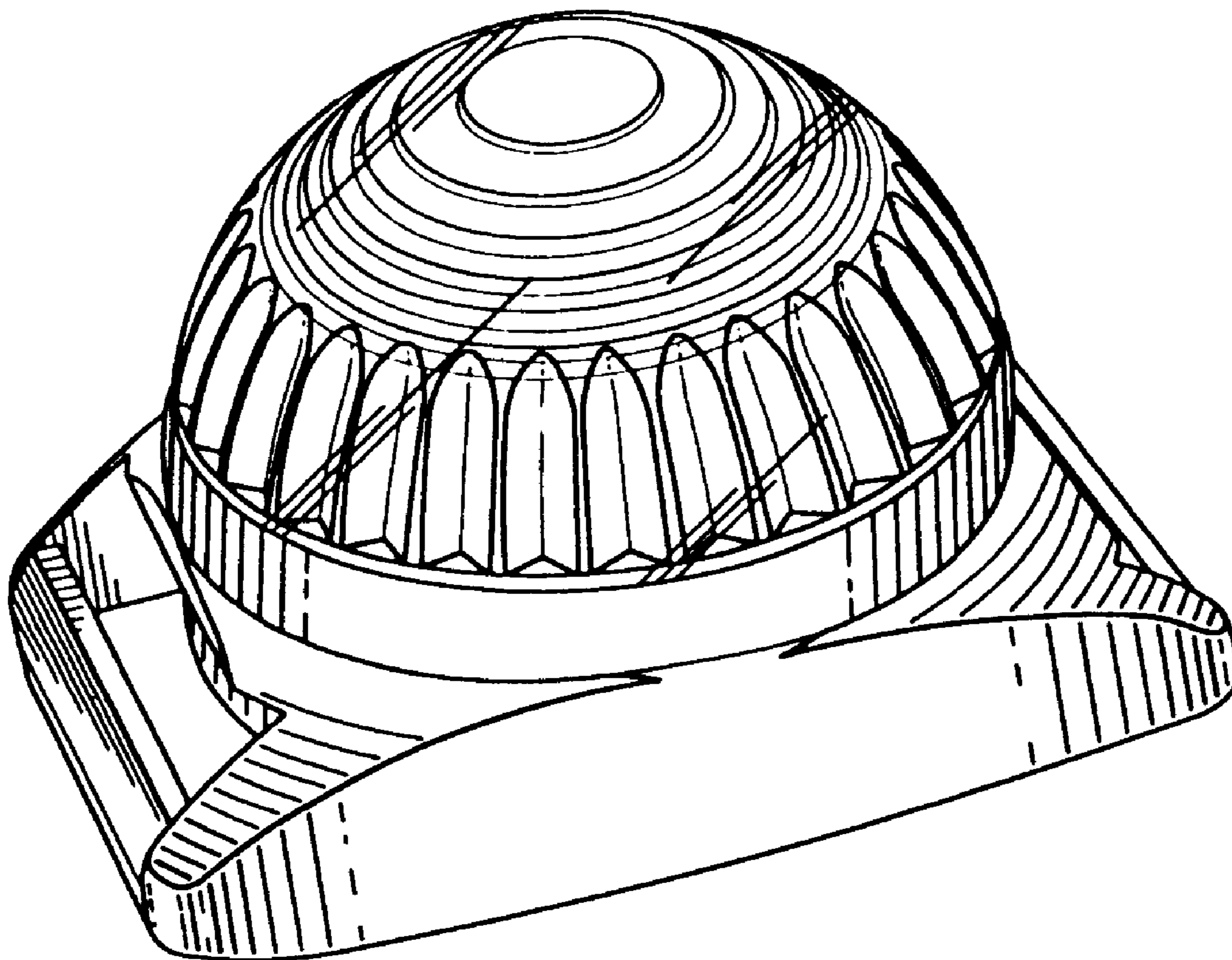
[57] **CLAIM**

The ornamental design for a portable light, as shown and described.

DESCRIPTION

FIG. 1 is a perspective view of a first version of the portable light showing my new design;
 FIG. 2 is a top plan view thereof;
 FIG. 3 is a bottom plan view thereof;
 FIG. 4 is a side elevational view thereof; and
 FIG. 5 is an elevational end view thereof;
 FIG. 6 is a perspective view of a second version of the portable light showing my new design;
 FIG. 7 is a top plan view thereof;
 FIG. 8 is a bottom plan view thereof;
 FIG. 9 is a first elevational end view thereof;
 FIG. 10 is a side elevational end view thereof; and
 FIG. 11 is a second elevational end view thereof;
 FIG. 12 is a perspective view of a third version of the portable light showing my new design;
 FIG. 13 is a top plan view thereof;
 FIG. 14 is a bottom plan view thereof;
 FIG. 15 is a side elevational view thereof; and,
 FIG. 16 is an elevational end view thereof.

1 Claim, 6 Drawing Sheets



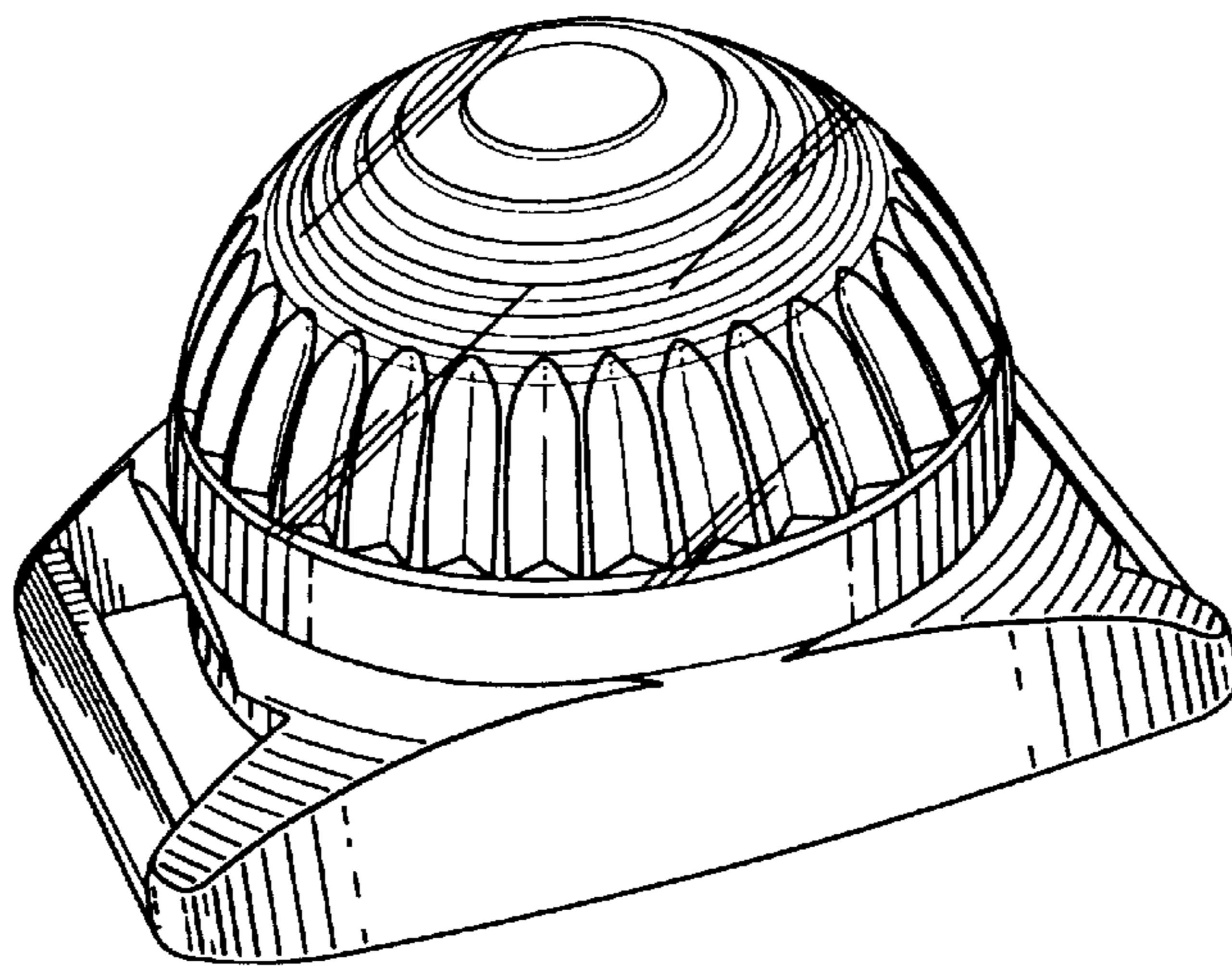


FIG. 1

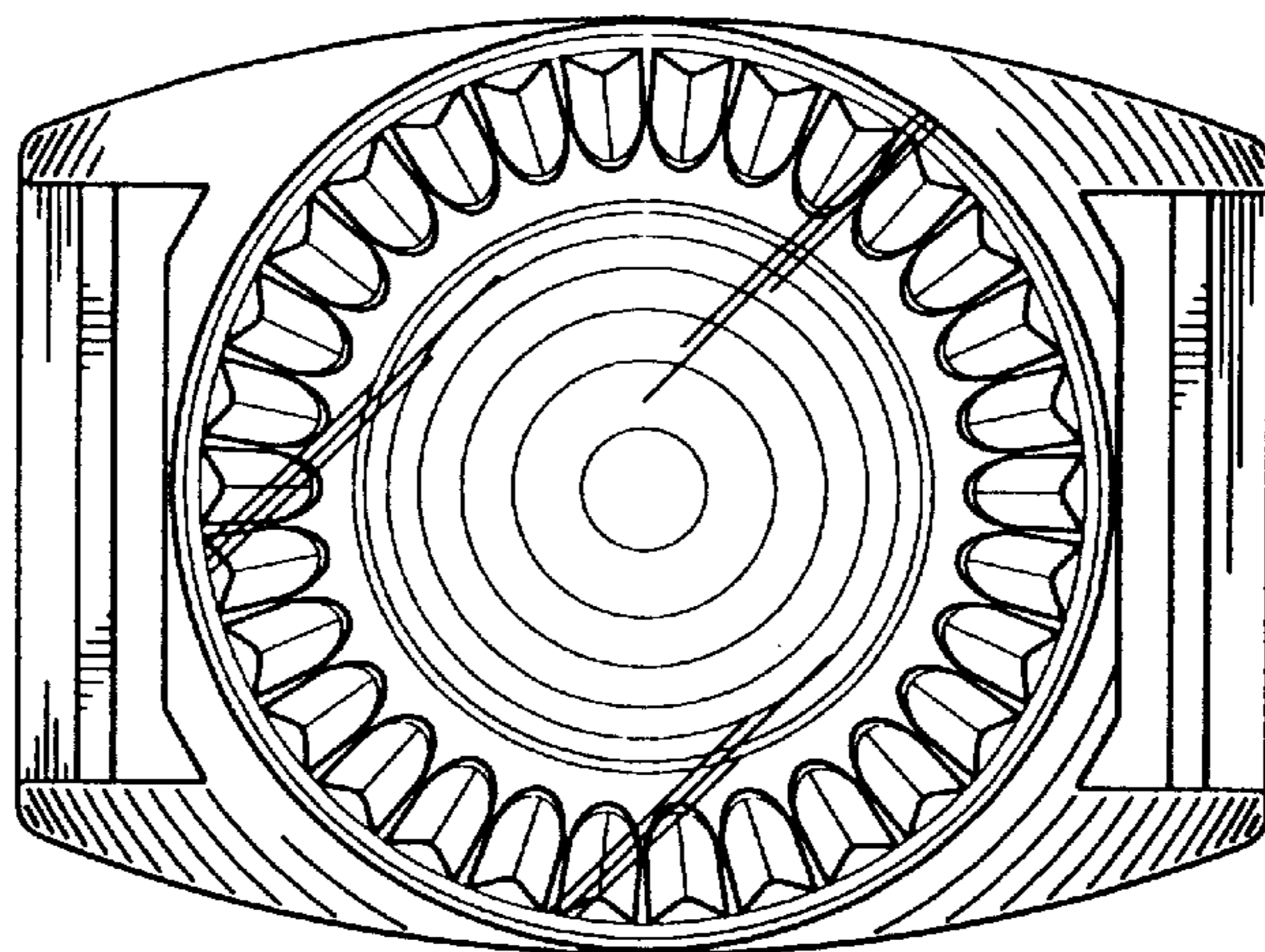


FIG. 2

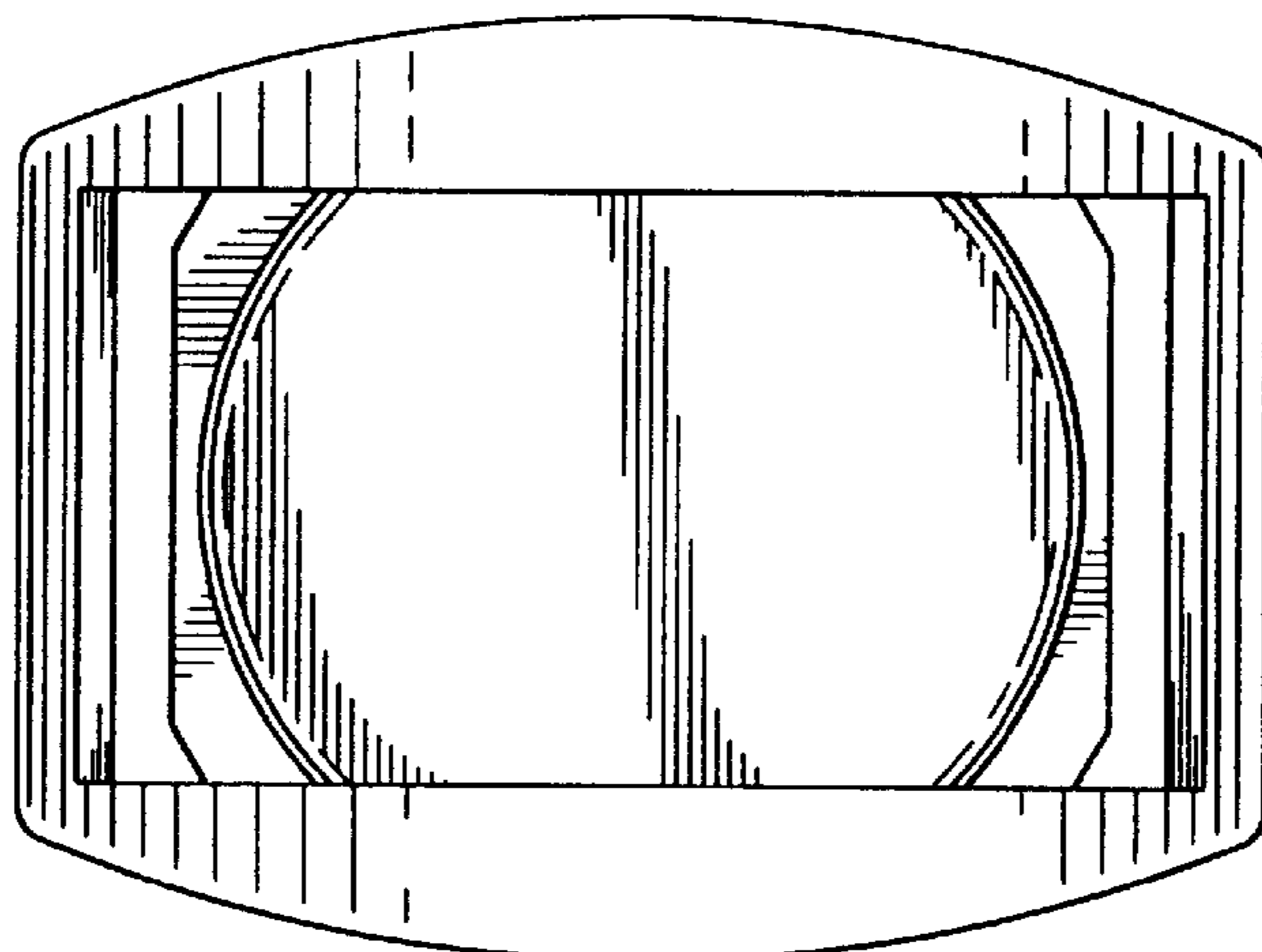


FIG. 3

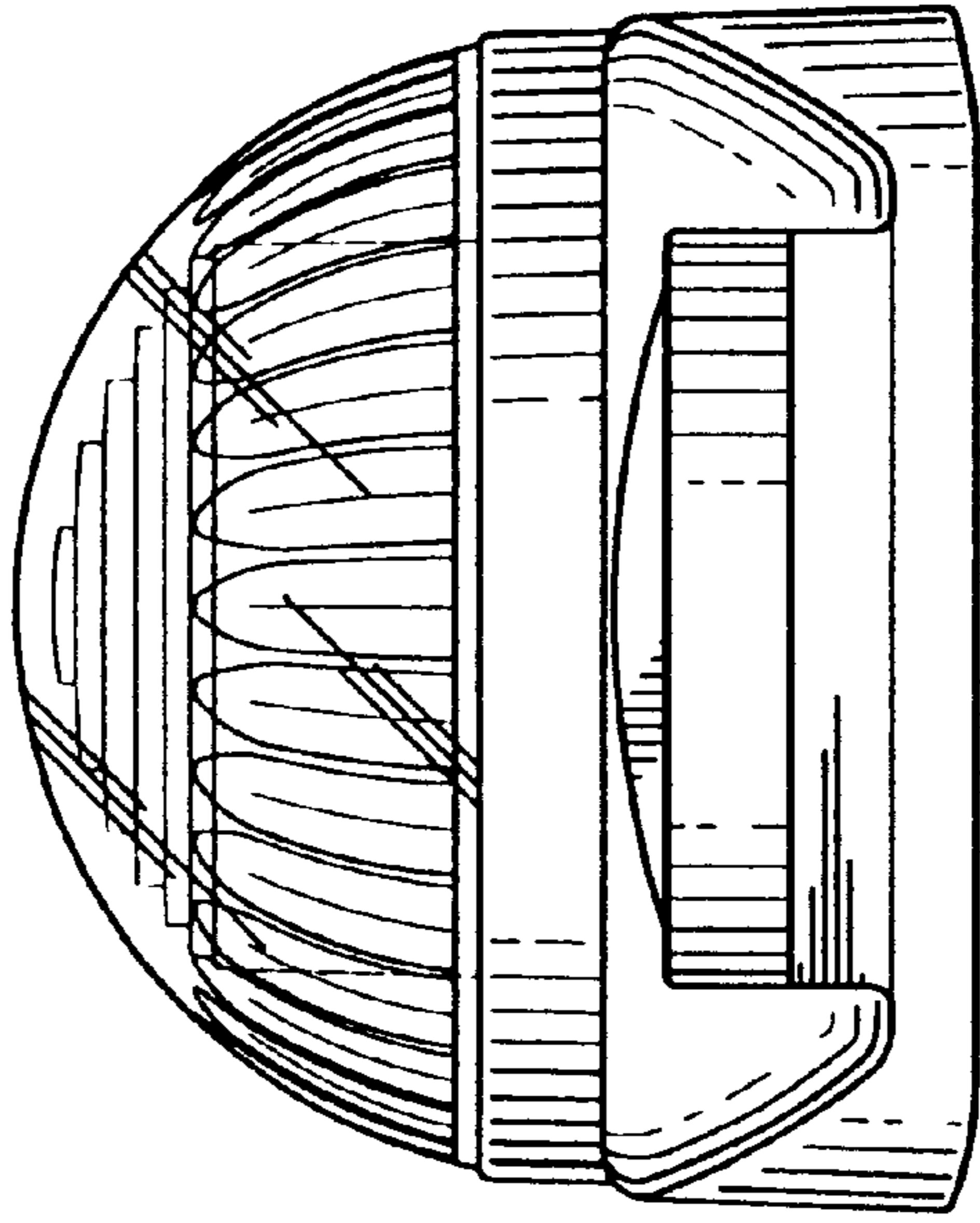


FIG. 5

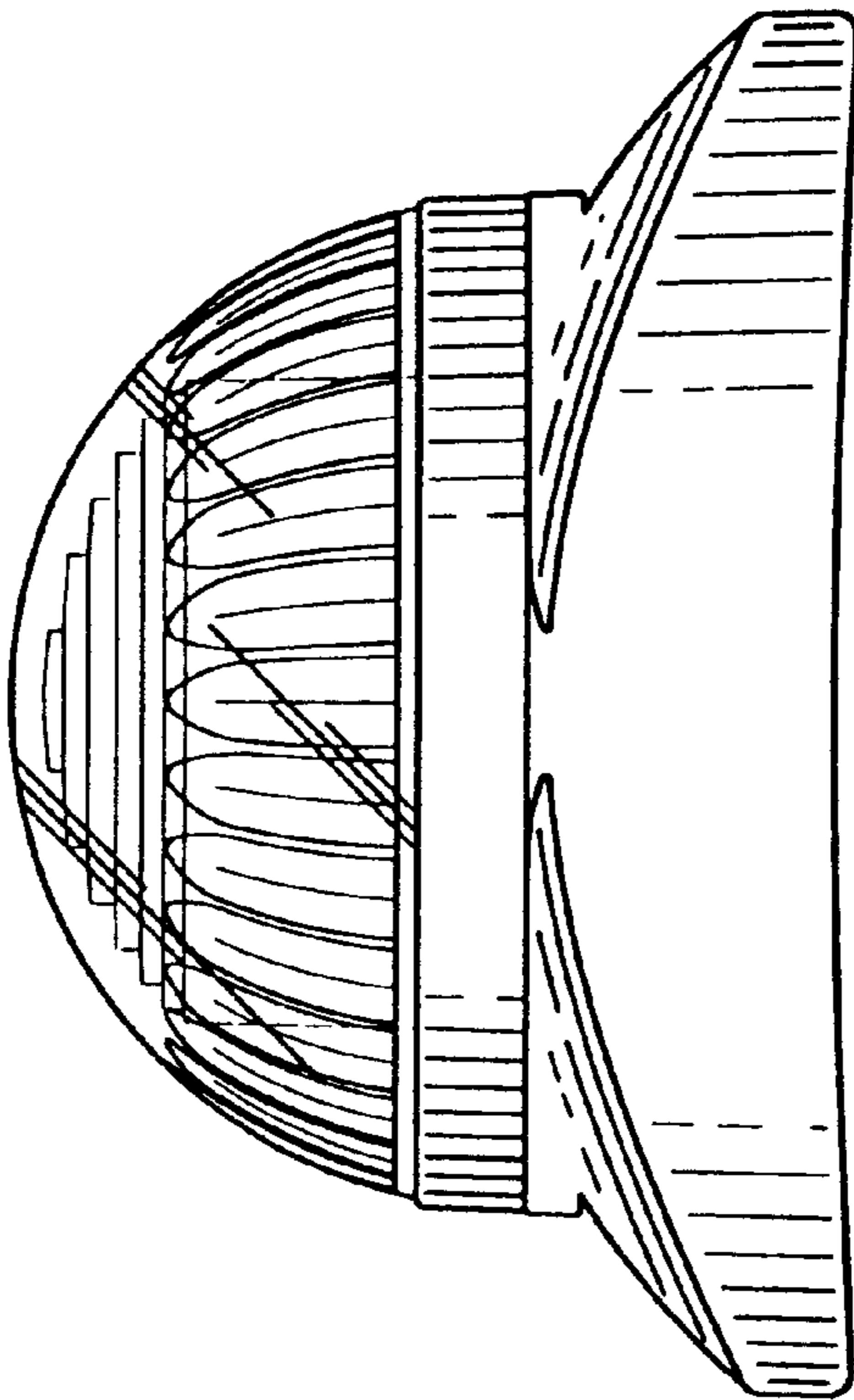


FIG. 4

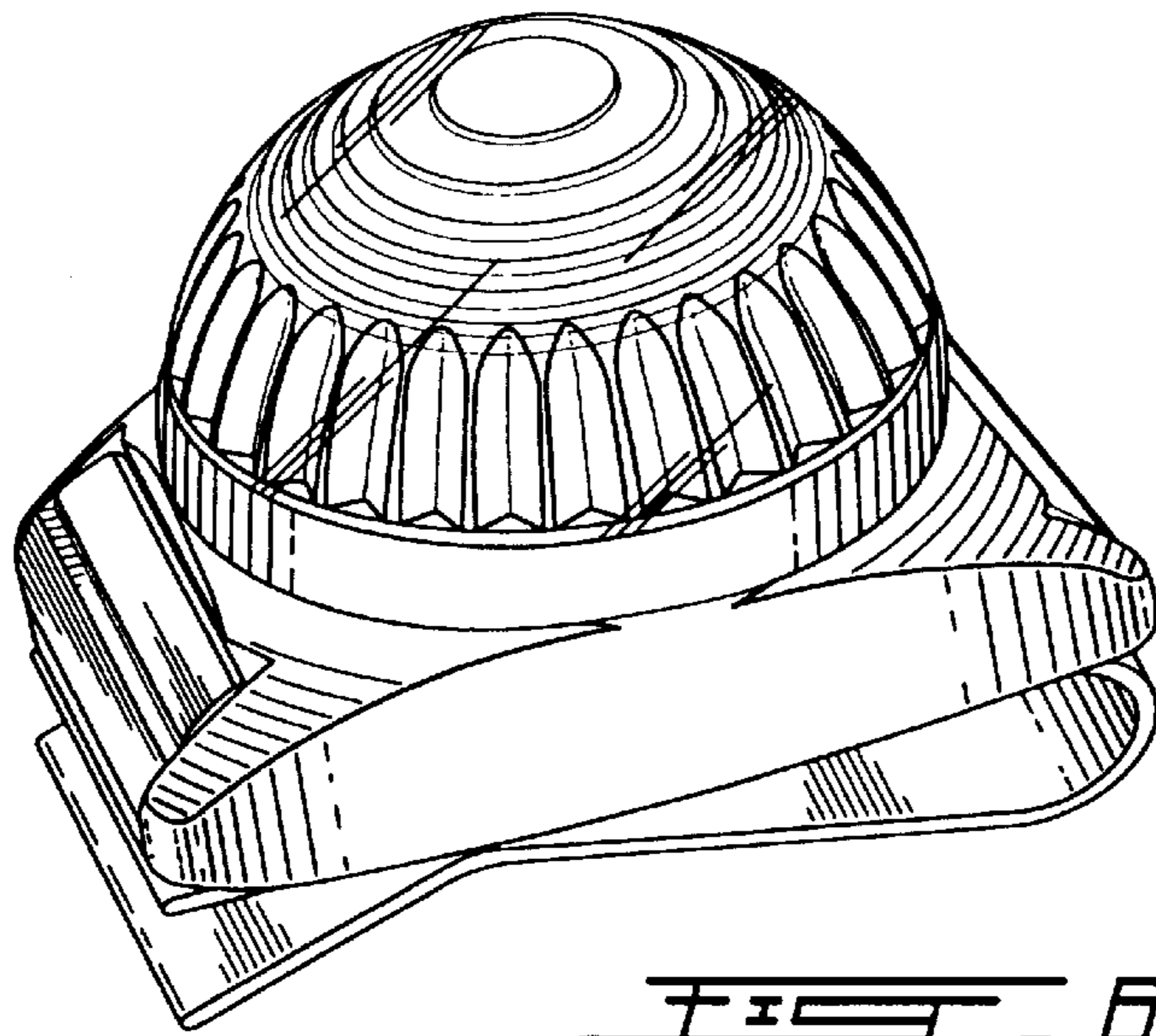


FIG. 6

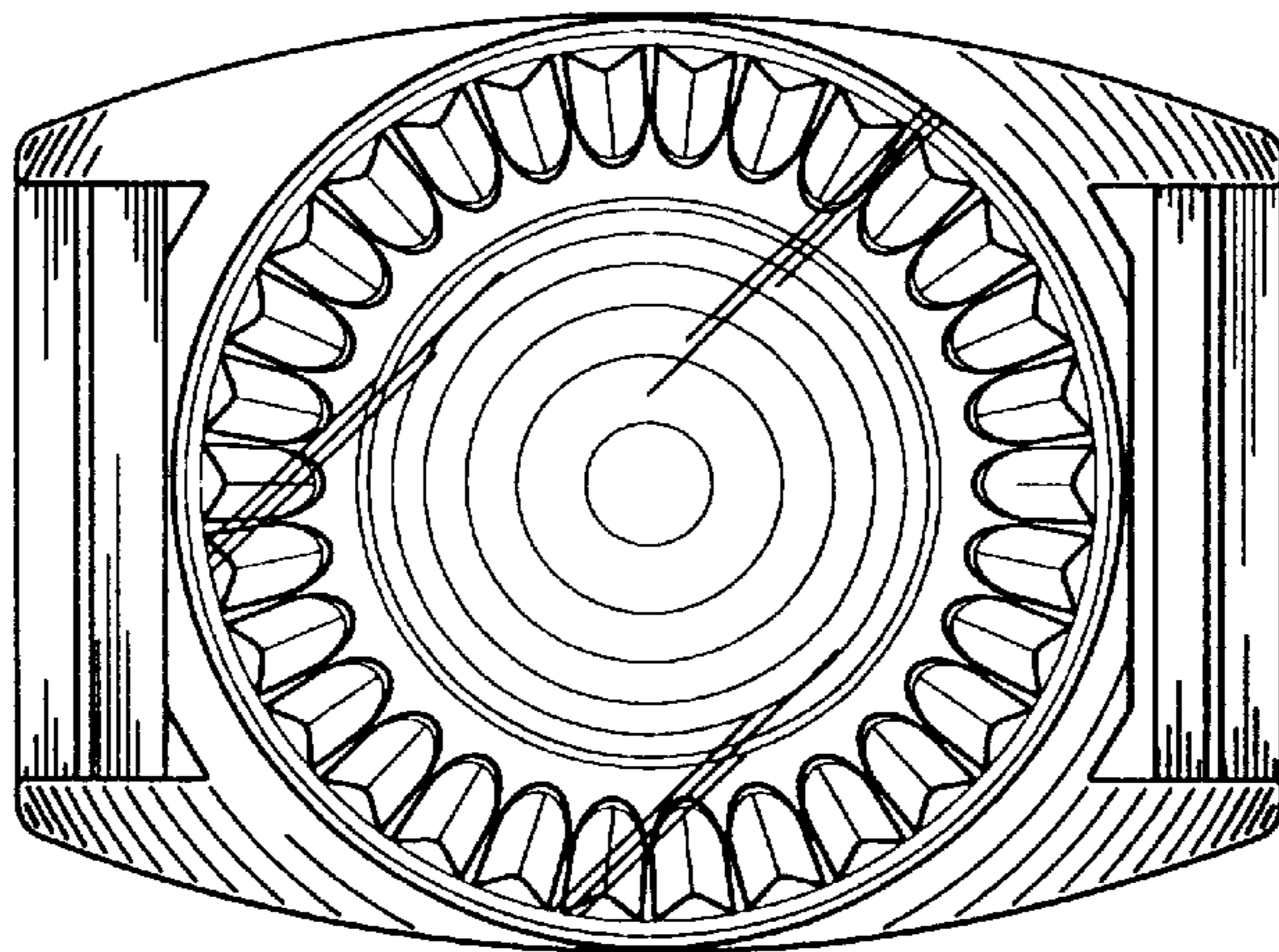


FIG. 7

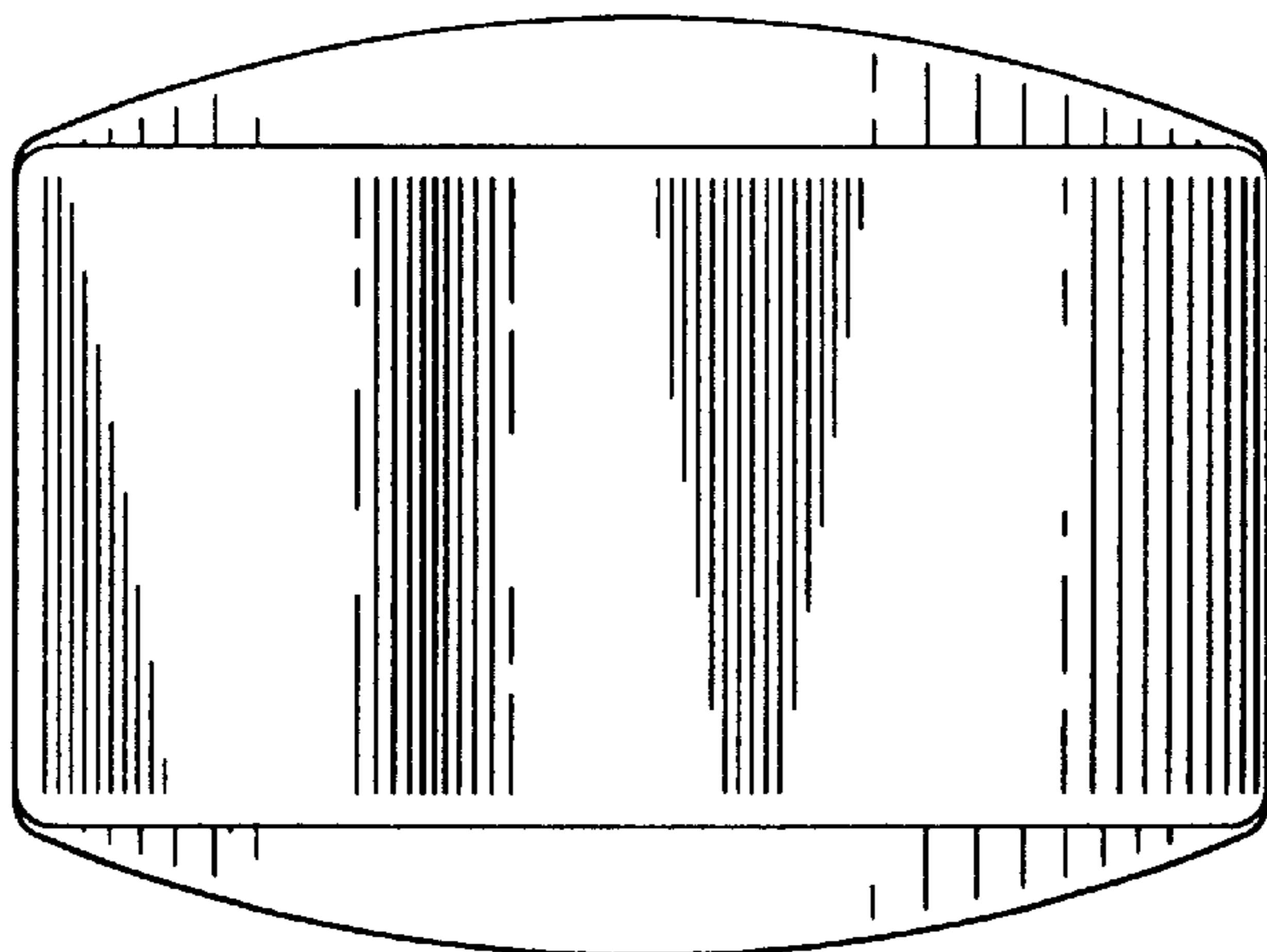


FIG. 8

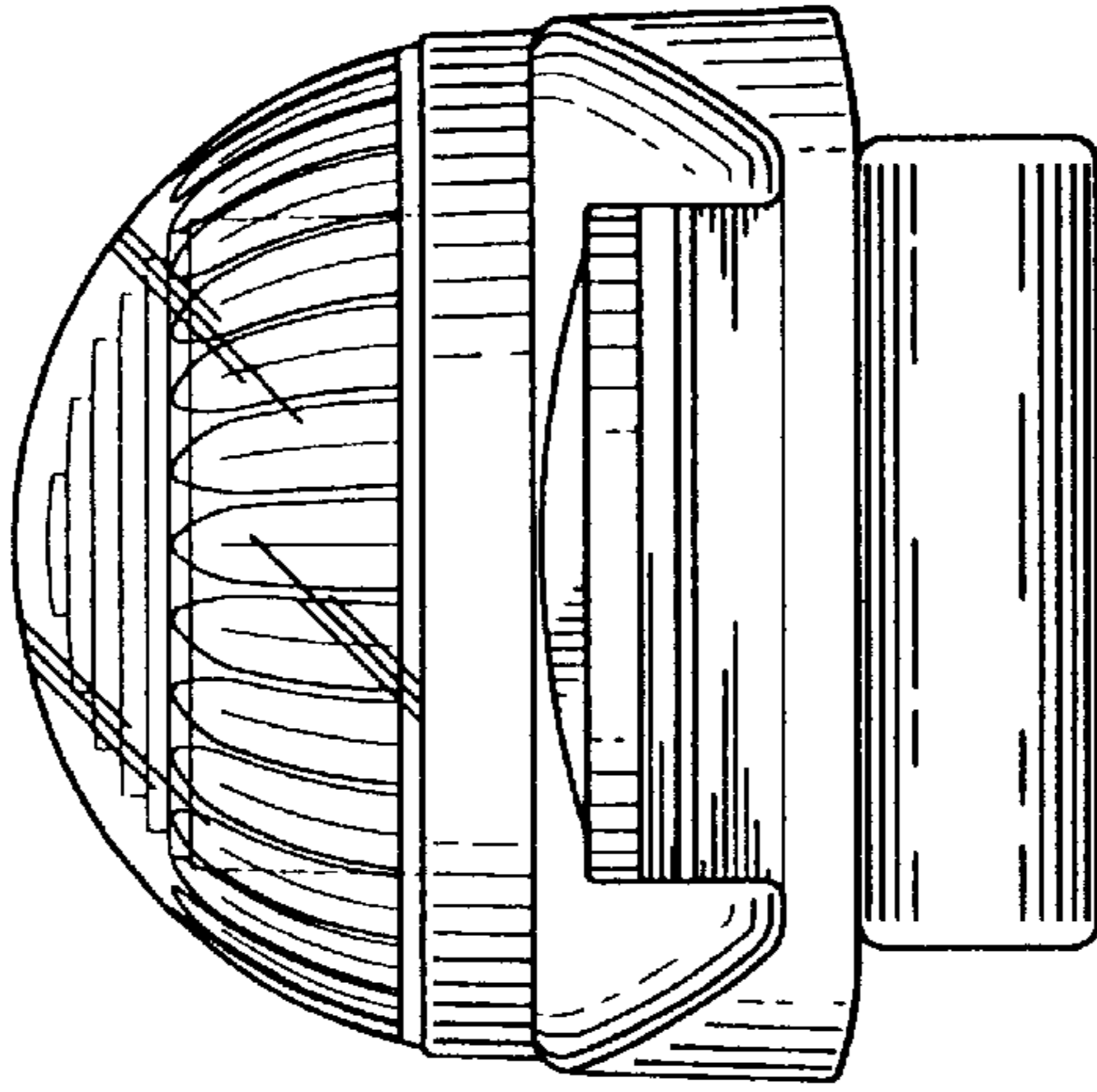


FIG. 11

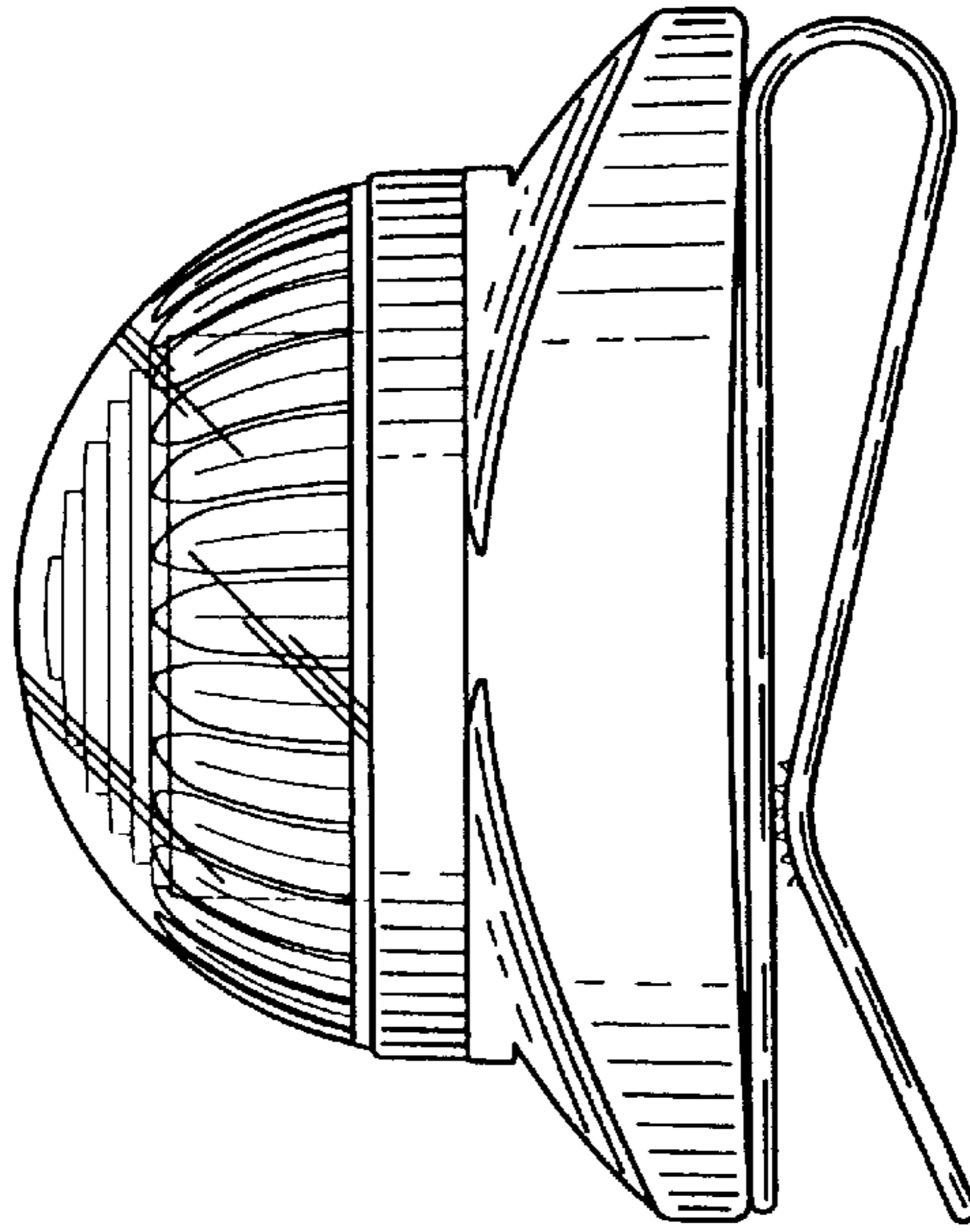


FIG. 10

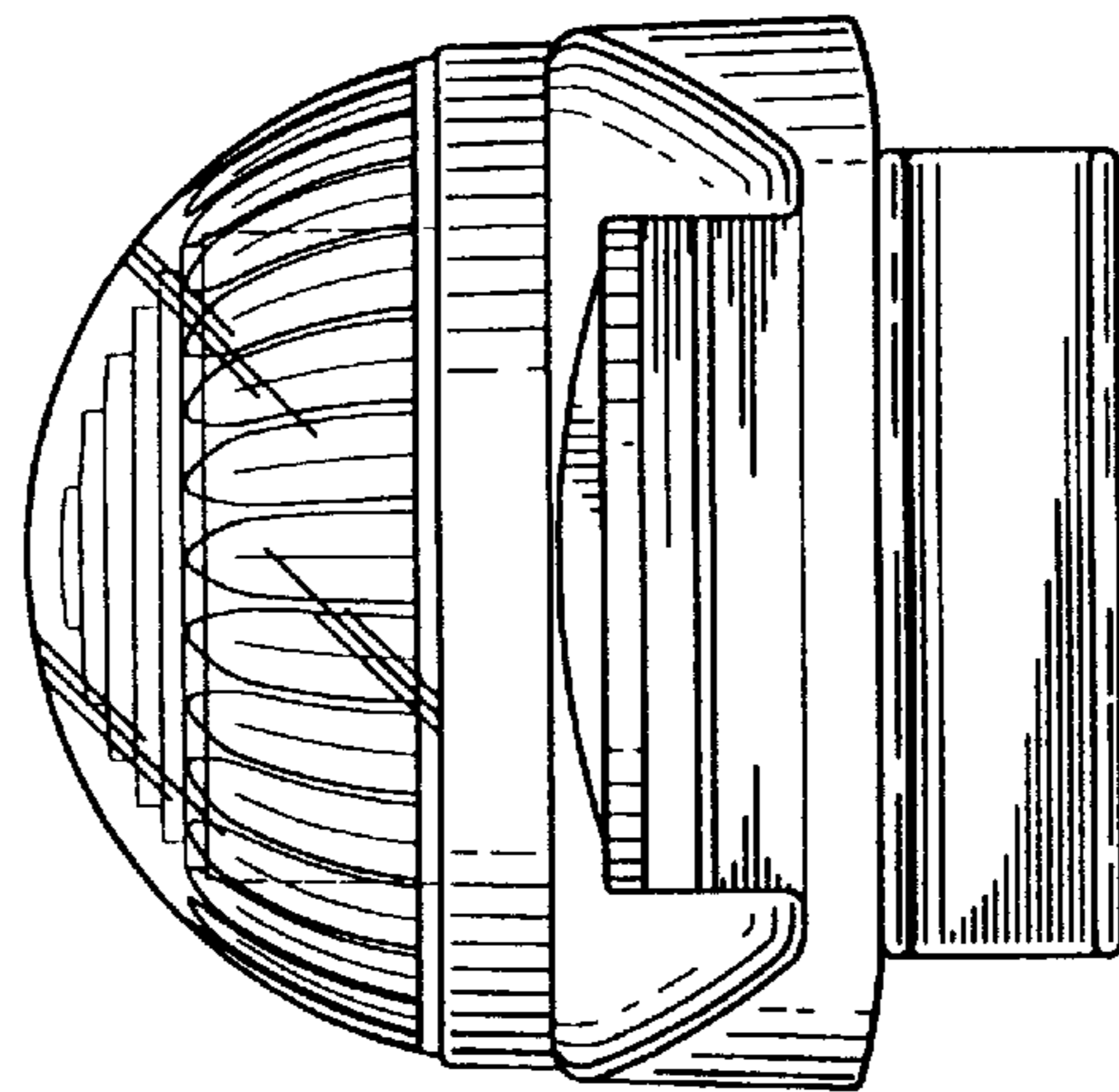


FIG. 9

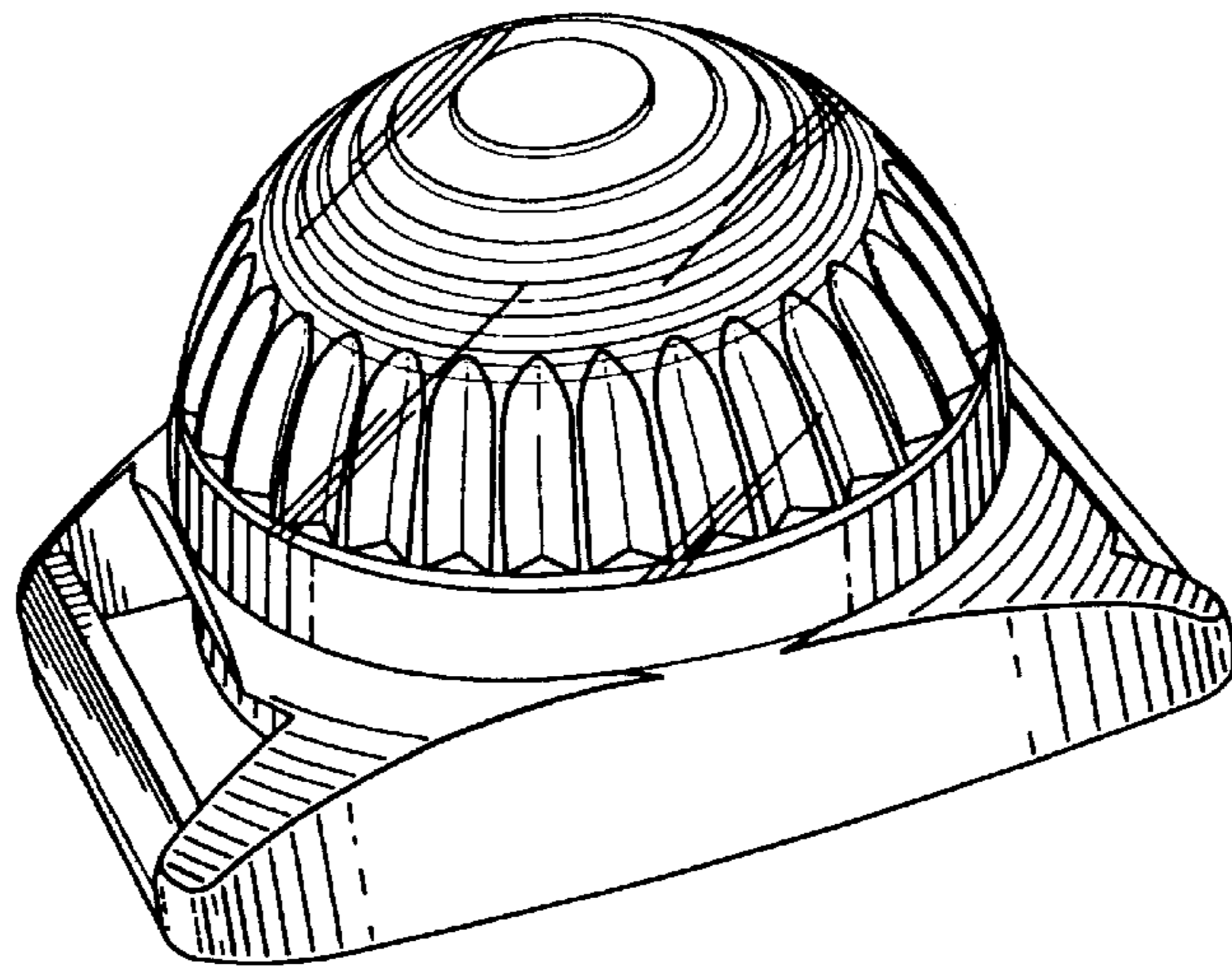


FIG. 12

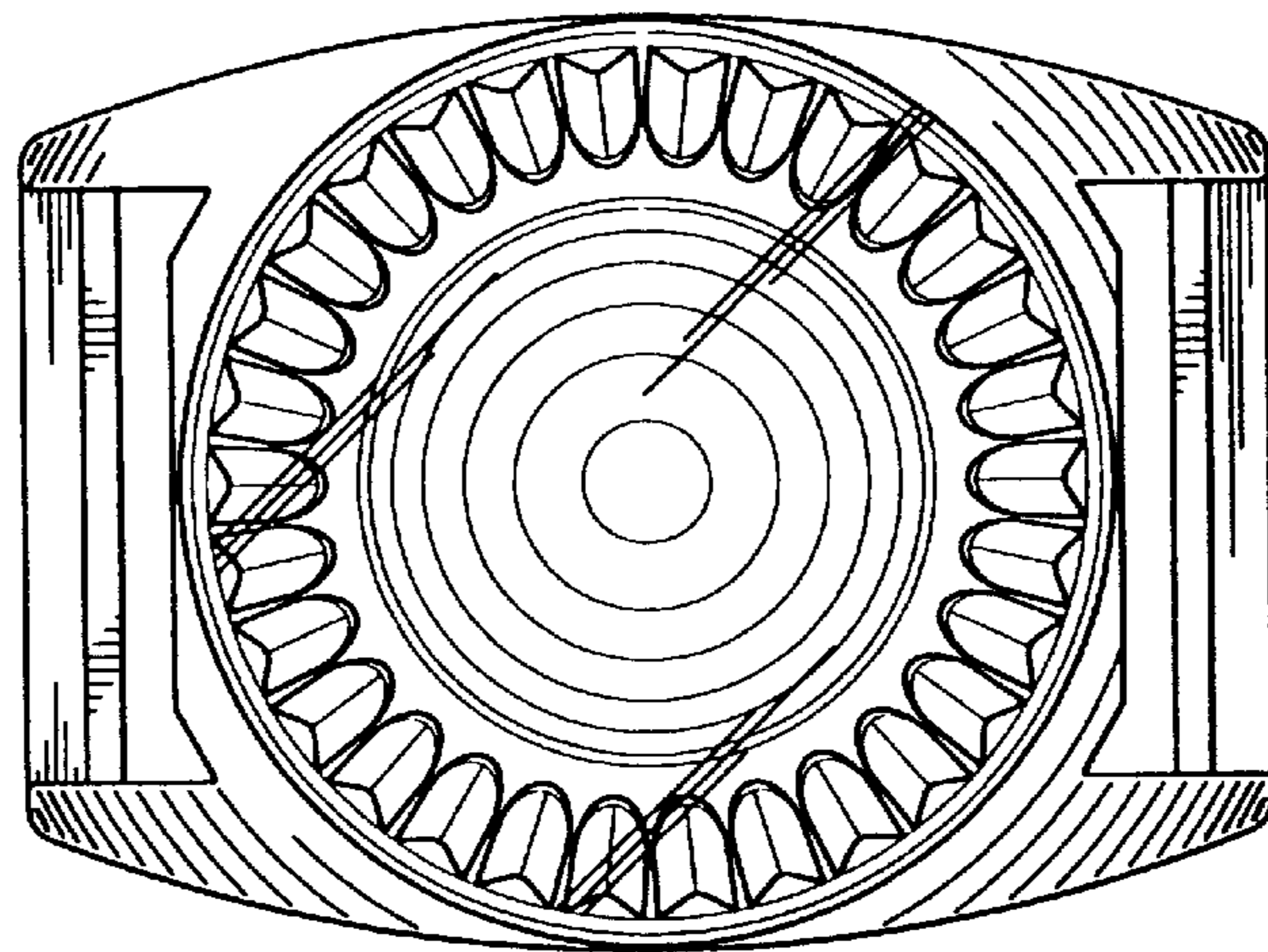


FIG. 13

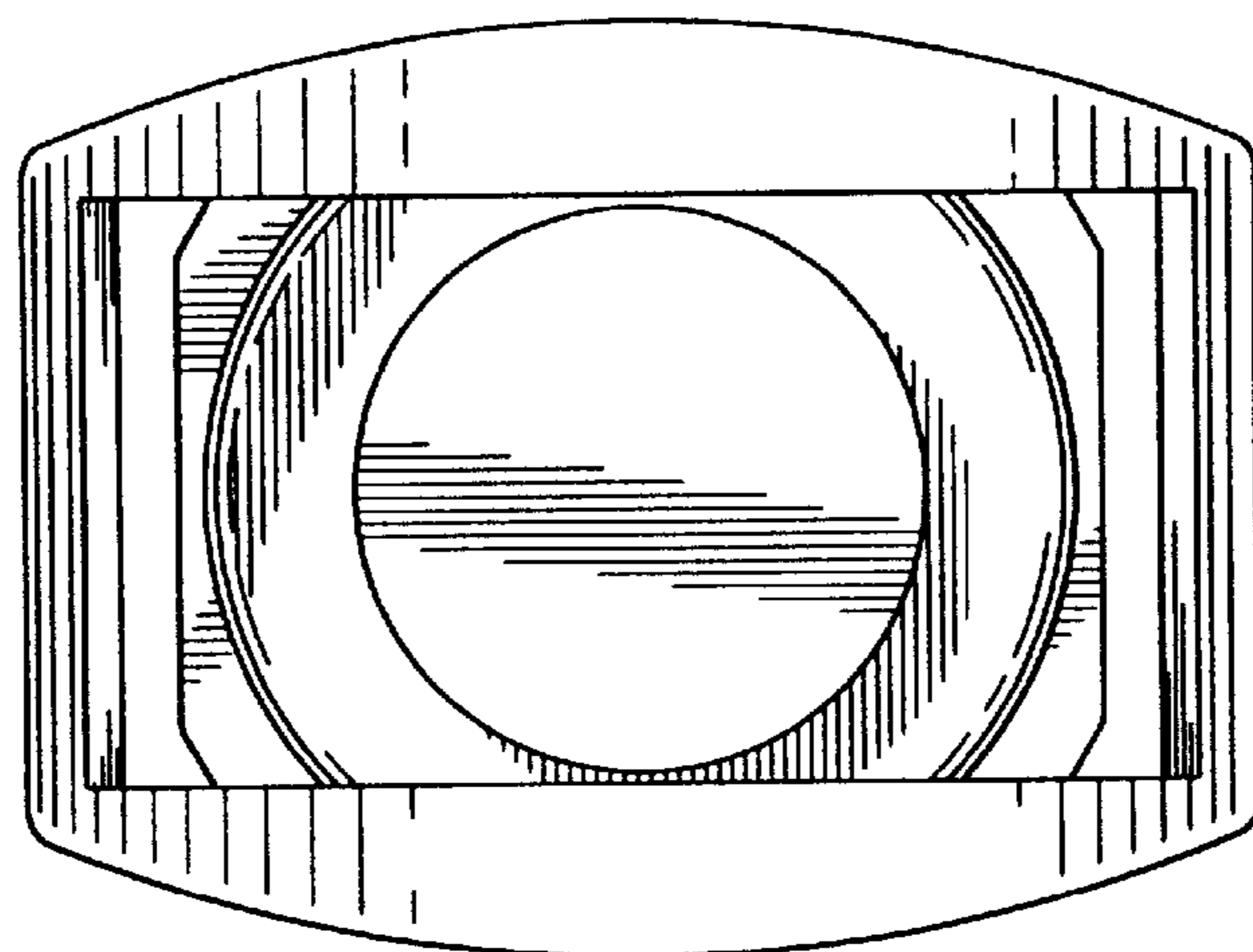


FIG. 14

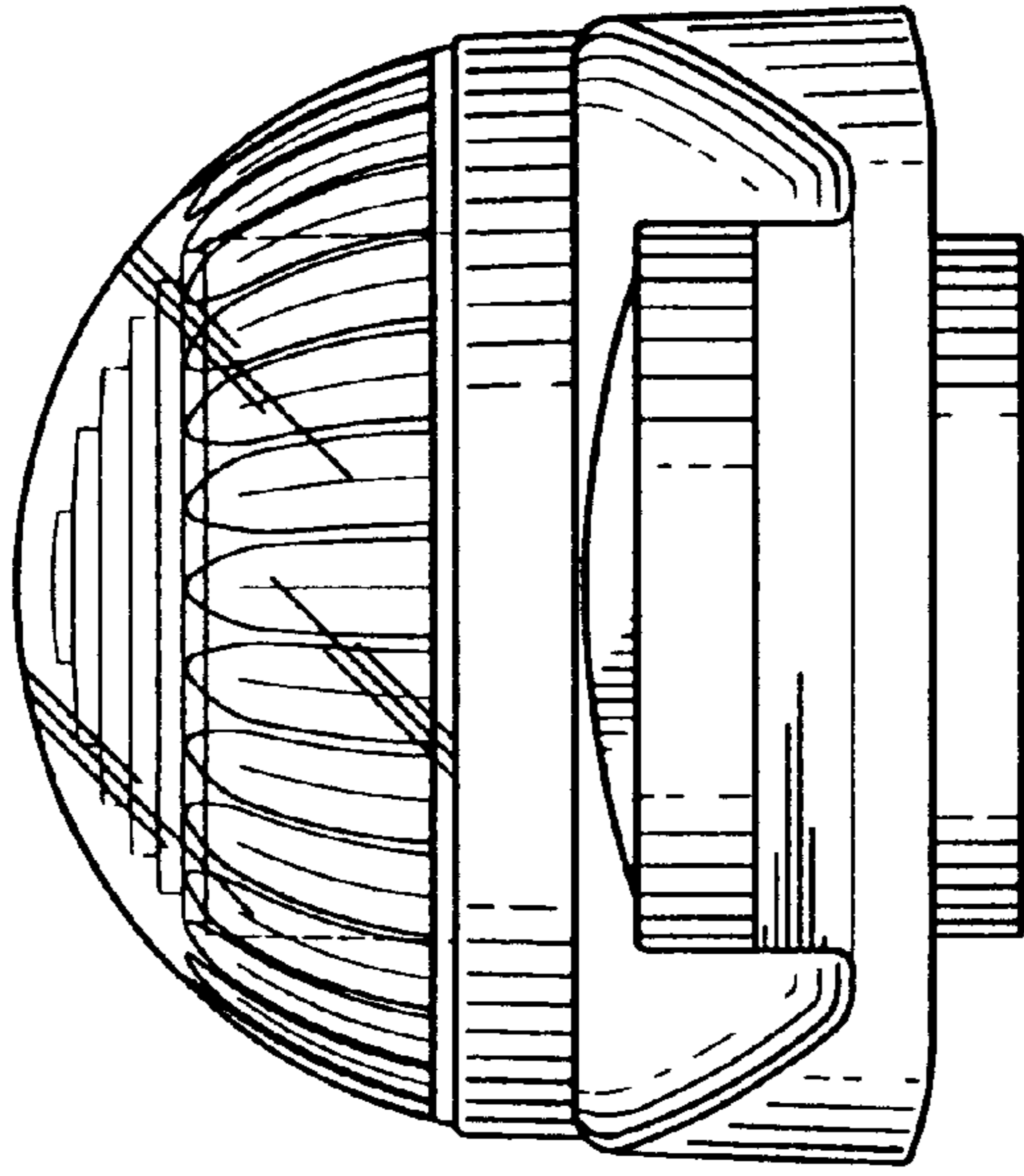


FIG. 16

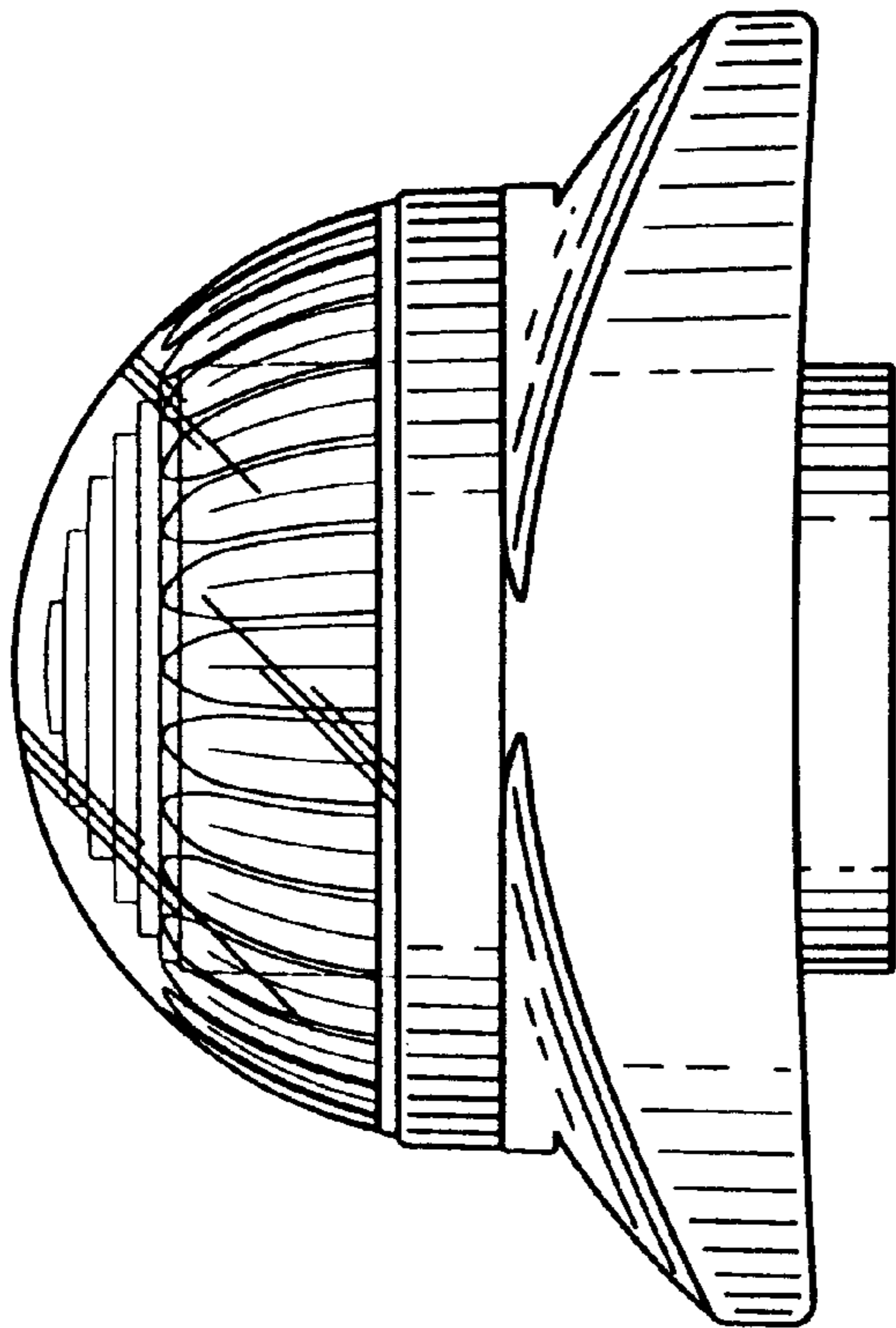


FIG. 15