



US00D422723S

United States Patent [19]

Hussaini et al.

[11] Patent Number: Des. 422,723

[45] Date of Patent: ** Apr. 11, 2000

[54] **AUXILIARY VEHICLE LIGHT**

[75] Inventors: **Saied Hussaini; Marc Iacovelli**, both of Miami, Fla.

[73] Assignee: **Rally Manufacturing, Inc.**, Miami, Fla.

[**] Term: **14 Years**

[21] Appl. No.: **29/097,624**

[22] Filed: **Dec. 10, 1998**

[51] **LOC (6) Cl.** **26-06**

[52] **U.S. Cl.** **D26/29**

[58] **Field of Search** D26/28, 29, 36; 362/460, 464, 465, 467, 493, 499, 507, 512, 523, 529, 530, 538, 269, 277, 285, 287, 418, 419, 427

[56] **References Cited**

U.S. PATENT DOCUMENTS

D. 231,014	3/1974	Nielson	D26/36
D. 354,362	1/1995	Tsai	D26/28
D. 390,979	2/1998	Yamamoto	D26/28
D. 390,980	2/1998	Yamamoto	D26/28
5,611,510	3/1997	Yamamoto	362/269 X
5,788,363	8/1998	Kamaya	362/285

Primary Examiner—Susan J. Lucas
Attorney, Agent, or Firm—Liniak, Berenato, Longacre & White

[57] **CLAIM**

The ornamental design for an auxiliary vehicle light, as shown and described.

DESCRIPTION

FIG. 1 is a front view of an auxiliary vehicle light showing my new design.

FIG. 2 is a rear view of the auxiliary vehicle light shown in FIG. 1.

FIG. 3 is a top view of the auxiliary vehicle light shown in FIG. 1.

FIG. 4 is a bottom view of the auxiliary vehicle light shown in FIG. 1.

FIG. 5 is a left side view of the auxiliary vehicle light shown in FIG. 1.

FIG. 6 is a right side view of the auxiliary vehicle light shown in FIG. 1; and,

FIG. 7 is a top and left side perspective view of the auxiliary vehicle light shown in FIG. 1.

The broken lines are shown for illustrative purposes only and form no part of the claimed design.

1 Claim, 4 Drawing Sheets

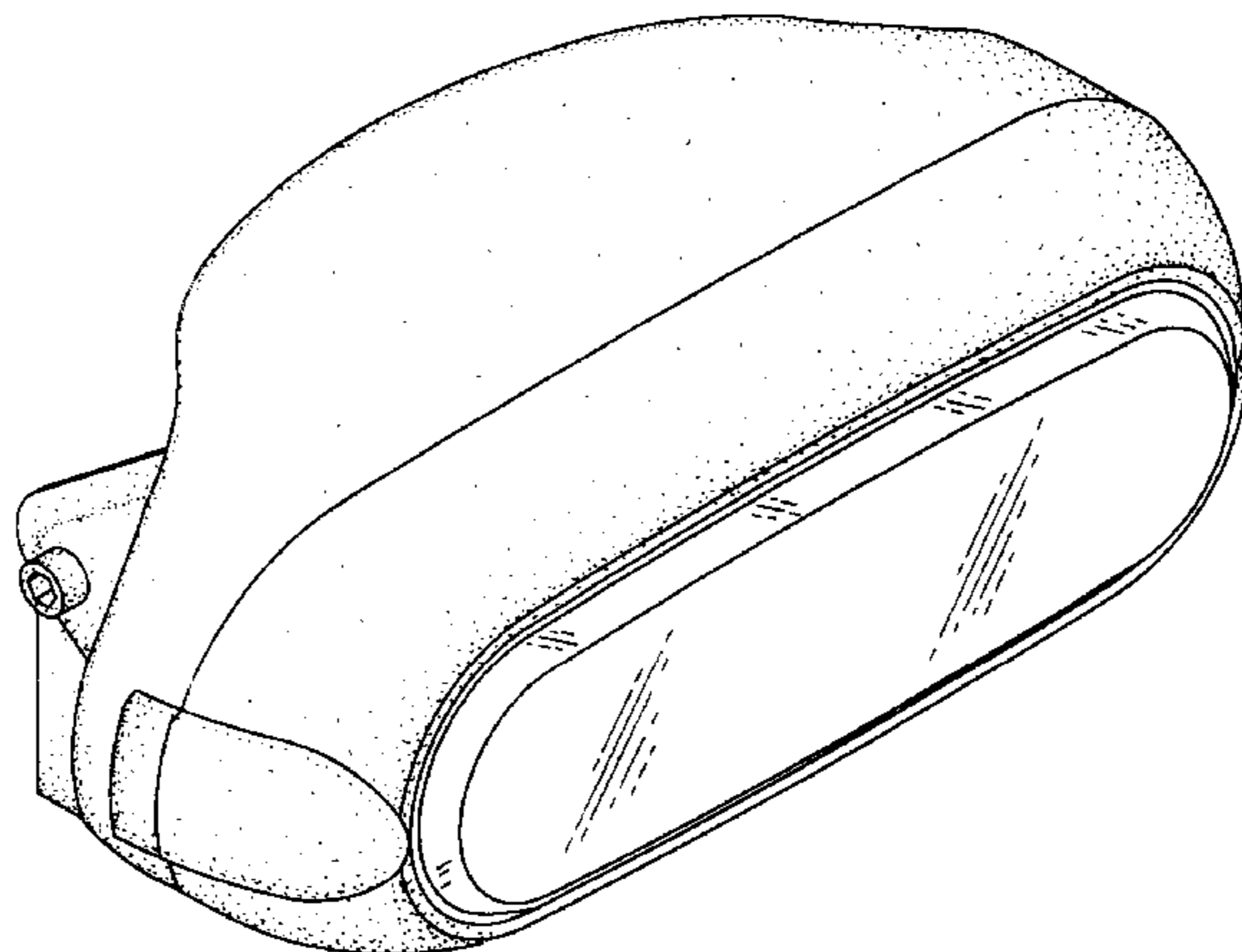
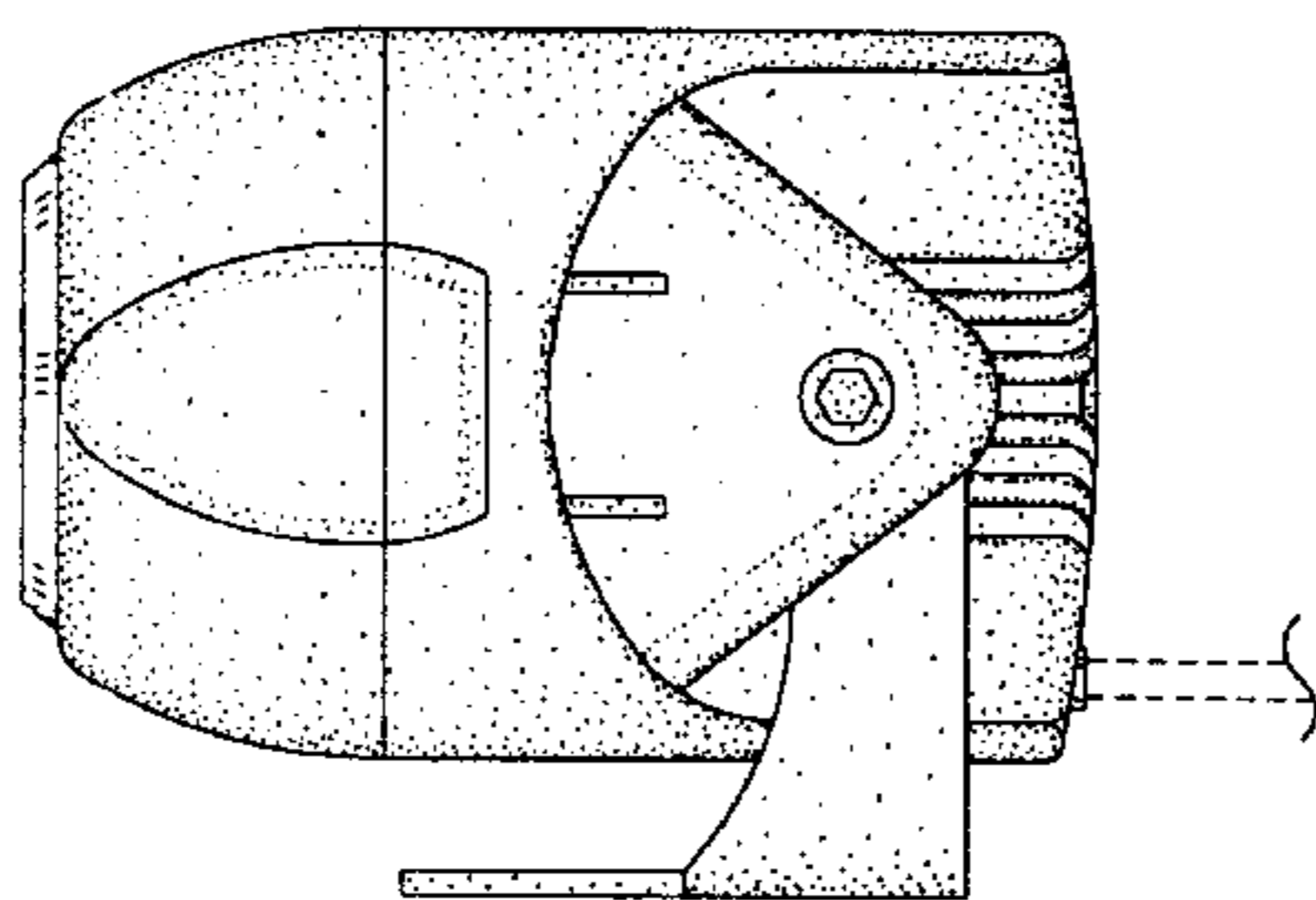


Fig. 1

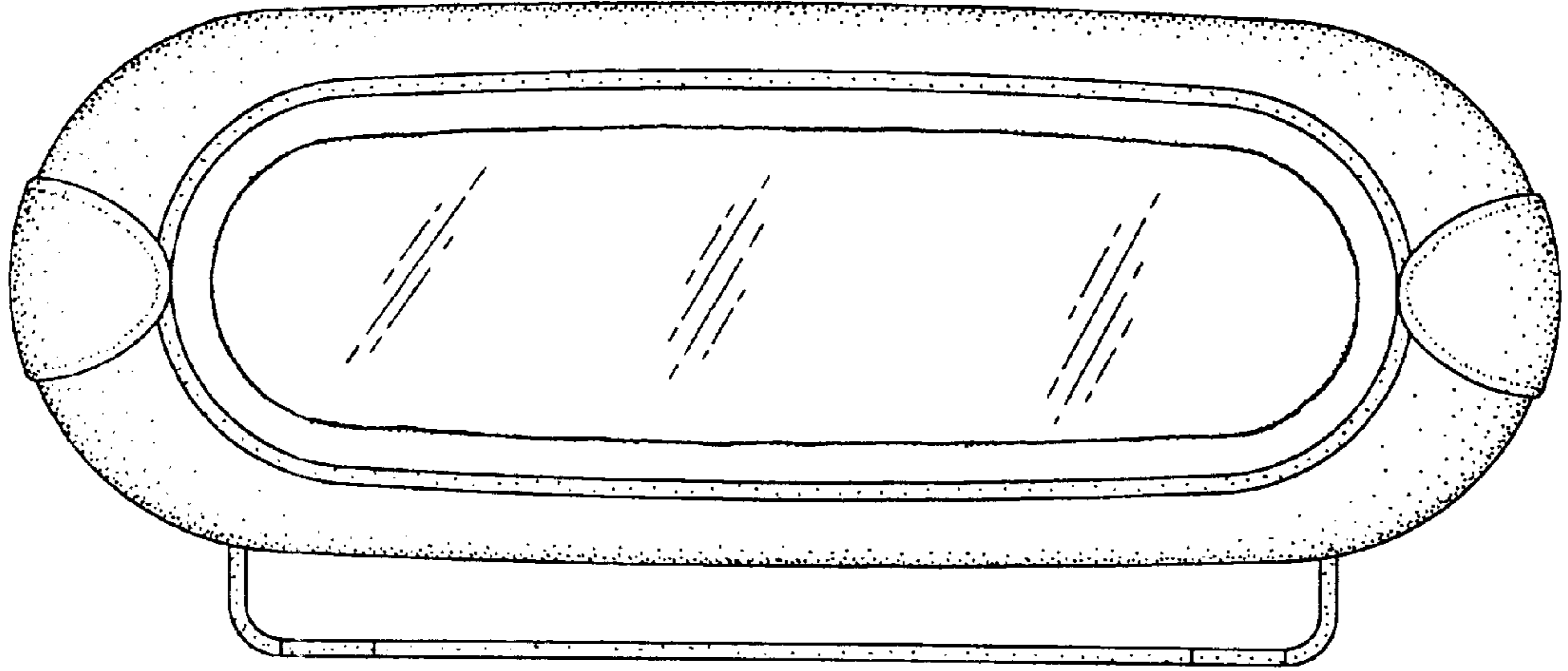


Fig. 2

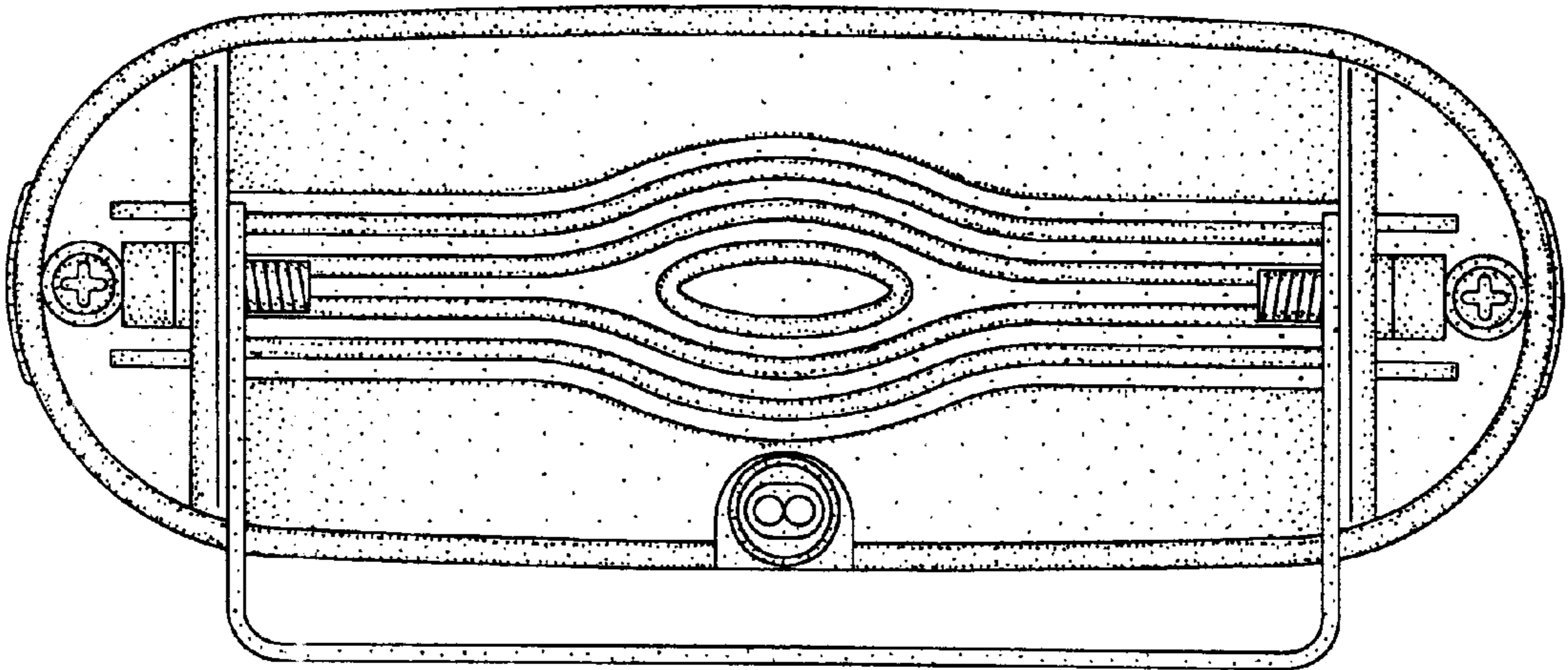


Fig. 3

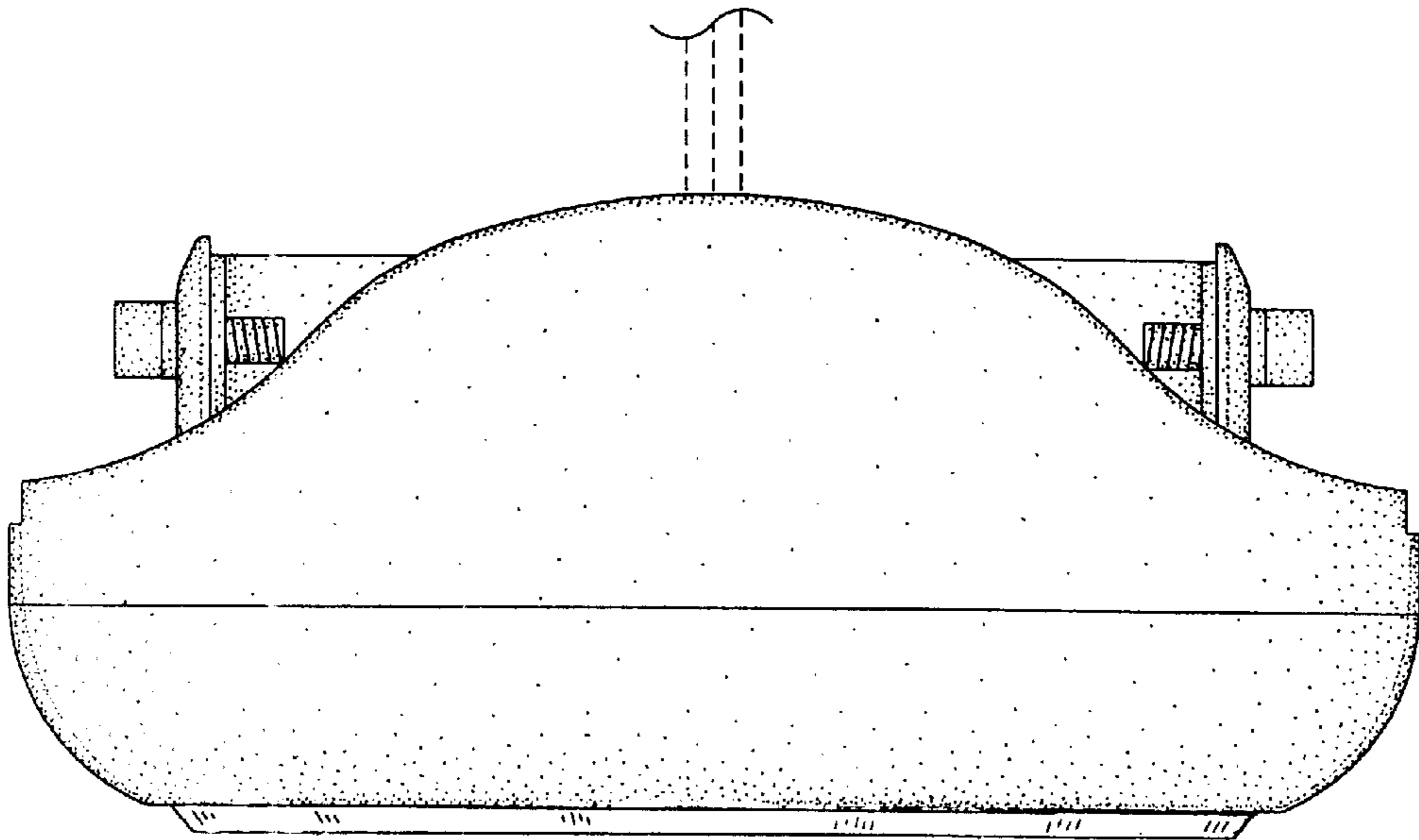


Fig. 4

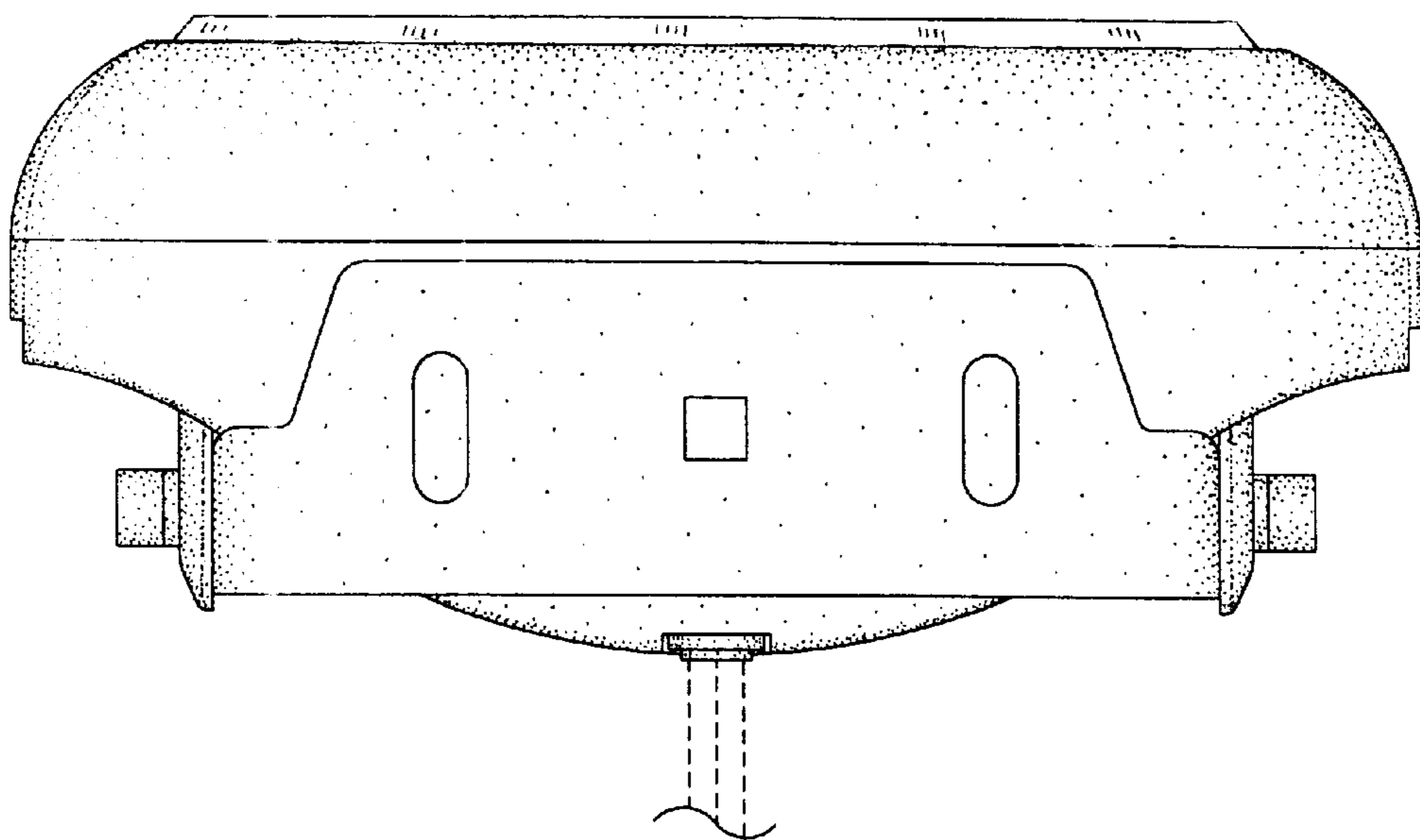


Fig. 5

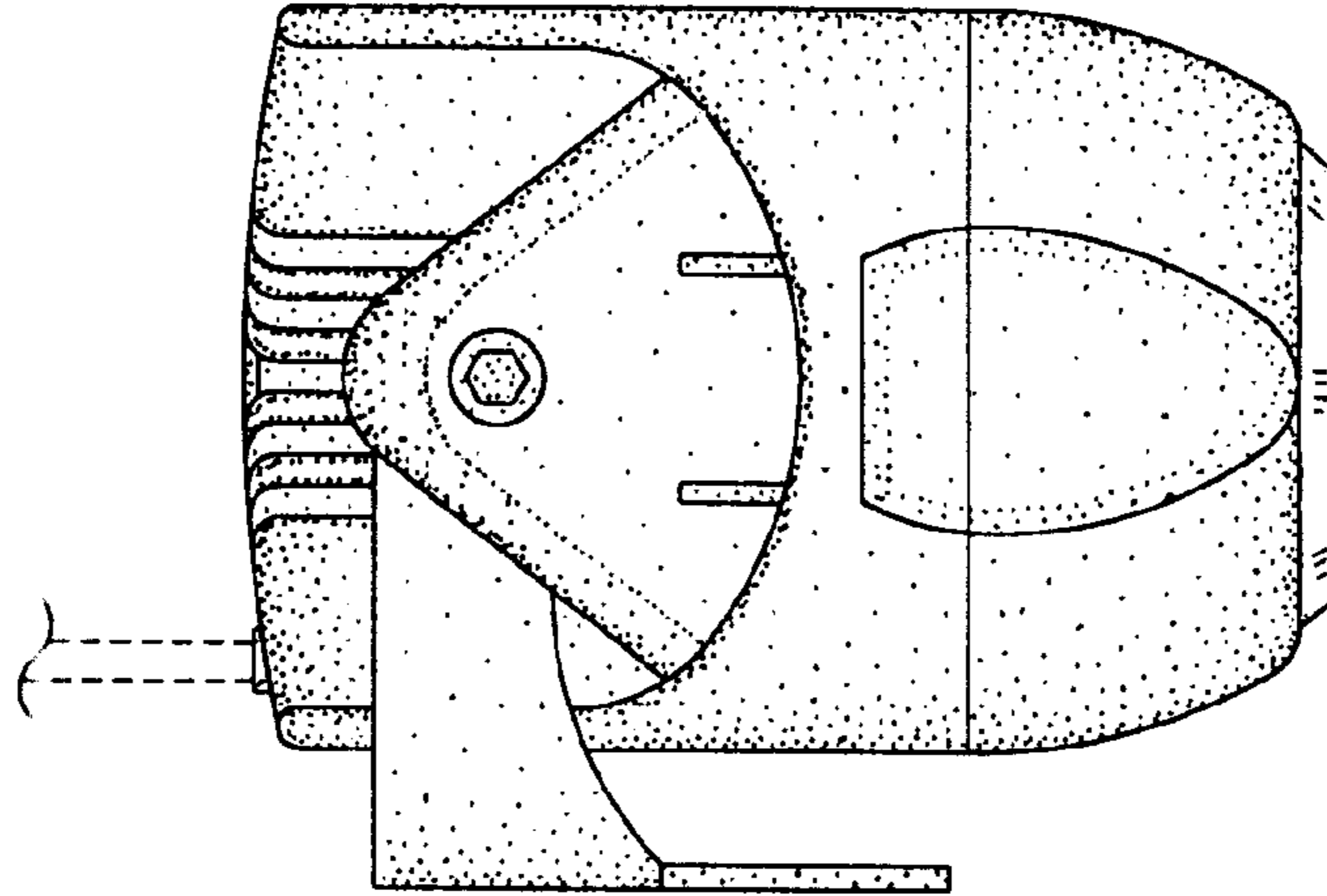


Fig. 6

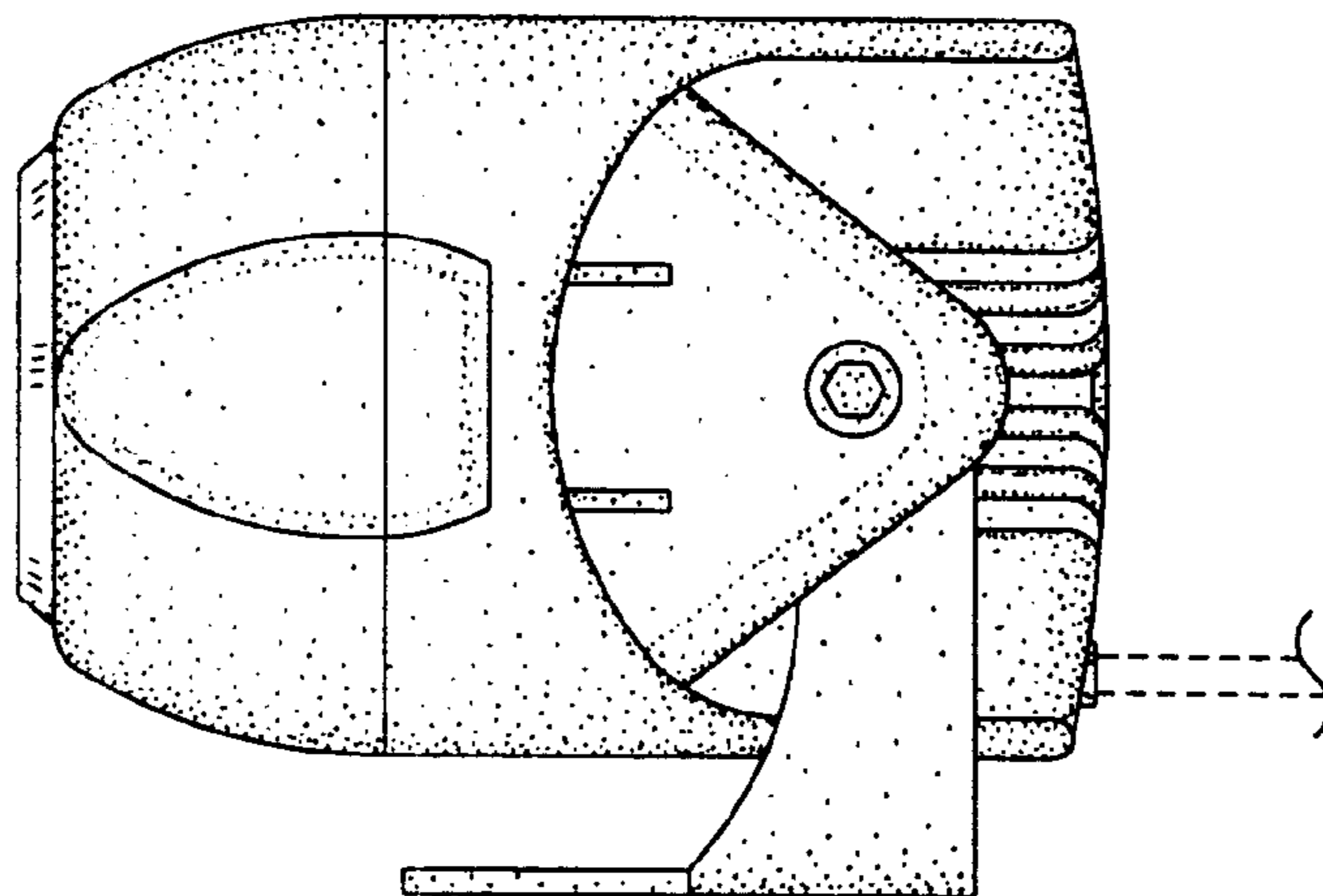


Fig. 7

