



US00D422722S

# United States Patent [19] Reed

[11] **Patent Number: Des. 422,722**

[45] **Date of Patent: \*\* Apr. 11, 2000**

[54] **MOTORCYCLE SIGNAL LIGHT**

[75] Inventor: **John Geoffrey Reed**, Morgan Hill, Calif.

[73] Assignee: **Custom Chrome, Inc.**, Morgan Hill, Calif.

[\*\*] Term: **14 Years**

[21] Appl. No.: **29/111,075**

[22] Filed: **Sep. 20, 1999**

[51] **LOC (6) Cl.** ..... **26-06**

[52] **U.S. Cl.** ..... **D26/28**

[58] **Field of Search** ..... D26/28-35; 362/61, 362/72, 235, 236, 239, 269, 297, 301, 306, 307, 310, 311, 325, 362, 375

[56] **References Cited**

**U.S. PATENT DOCUMENTS**

D. 354,147	1/1995	Ueda	.....	D26/28
D. 355,269	2/1995	Matthies	.....	D26/28
D. 389,255	1/1998	Nagano	.....	D26/28
D. 392,401	3/1998	Nagano	.....	D26/28
D. 397,642	9/1998	Jolefson	.....	D26/28

**OTHER PUBLICATIONS**

Catalog—Midwest Motorcycle Supply, 1997; pp. 1-12, 1-13, 1-14, 1-15; 1-18, 1-19.

Catalog—V-Twin Manufacturing, 1998; pp. 548, 551, 552, 555.

Catalog—Mid USA Motorcycle Parts, 1997; pp. 1-16, 1-17, 1-18, 1-19, 1-22, 1-23, 1-24, 1-25.

Catalog—Nempco, 1996; pp. 303-311; 314-315.

Catalog—Drag Specialties, 1998, pp. 421-425; 427-429.

Catalog—Chrome Specialties, Inc., 1999, pp. 123, 126-131, 133, 136-139.

Catalog—Custom Chrome, Inc., 1998, pp. 6-6 through 6-14; 6-20 through 6-23.

*Primary Examiner*—Marcus A. Jackson

*Attorney, Agent, or Firm*—Max Ciccarelli

[57] **CLAIM**

The ornamental design for a motorcycle signal light, as shown and described.

**DESCRIPTION**

FIG. 1 is a perspective front view of the motorcycle signal light.

FIG. 2 is a top view of the motorcycle signal light.

FIG. 3 is a front view of the motorcycle signal light.

FIG. 4 is a left view of the motorcycle signal light.

FIG. 5 is a rear view of the motorcycle signal light; and,

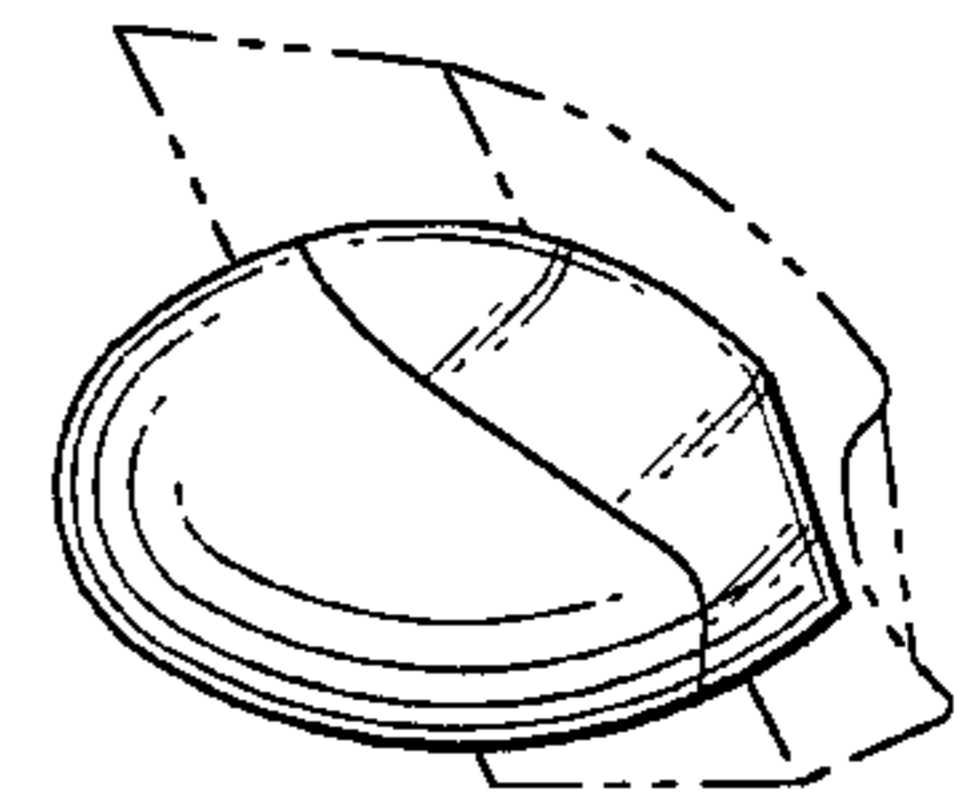
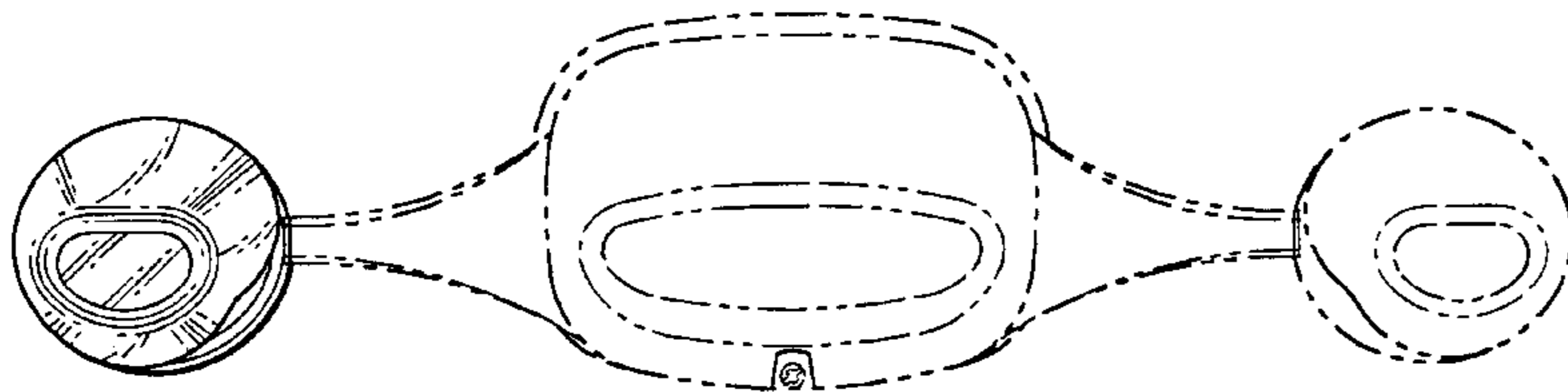
FIG. 6 is a right view of the motorcycle signal light.

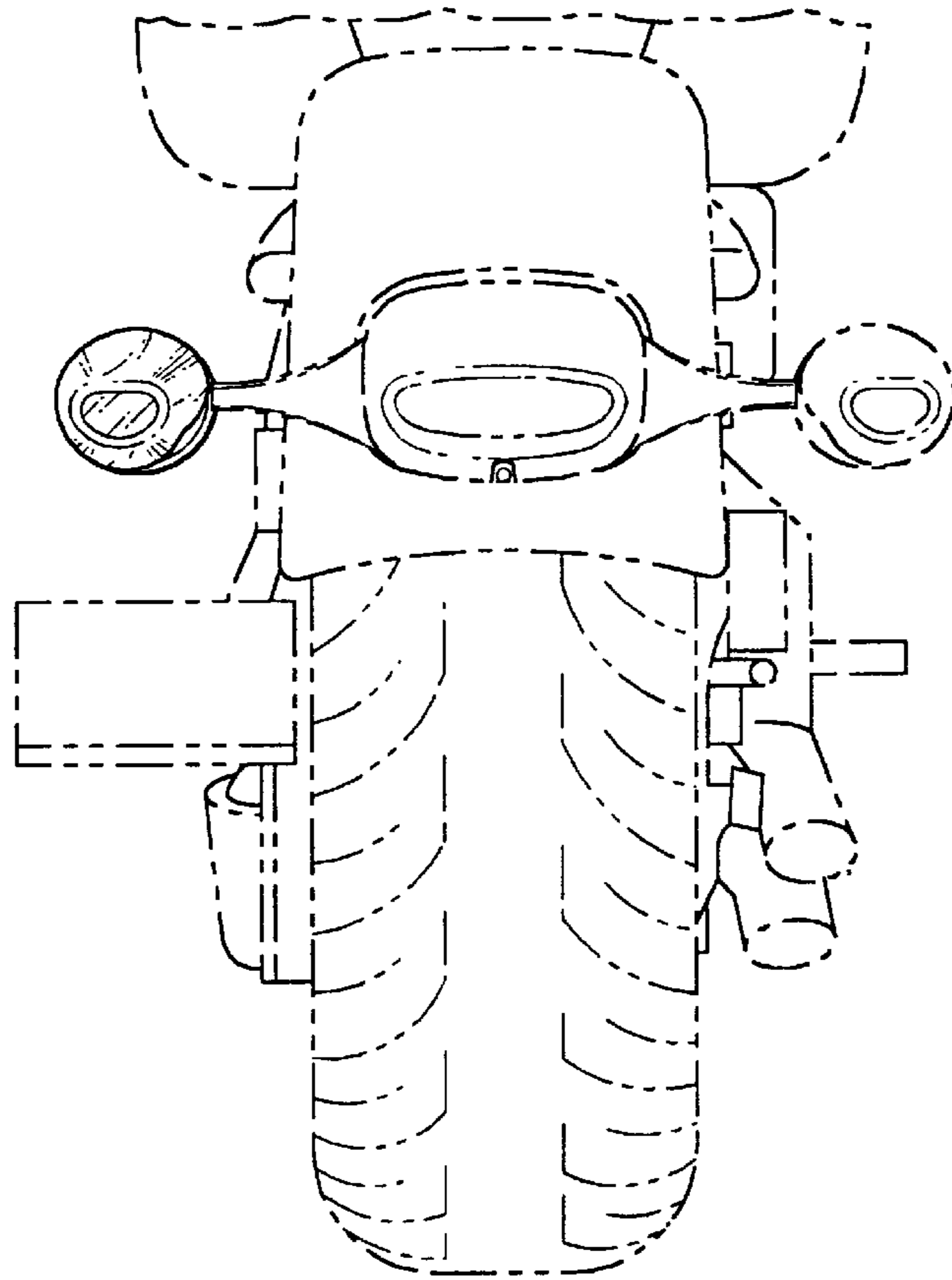
The bottom of the motorcycle signal light is generally not visible during ordinary use. Accordingly, this view now has been omitted.

The design envisioned will contain a second part on whose image is mirror symmetrical to this item. The embodiment shown is the left side portion.

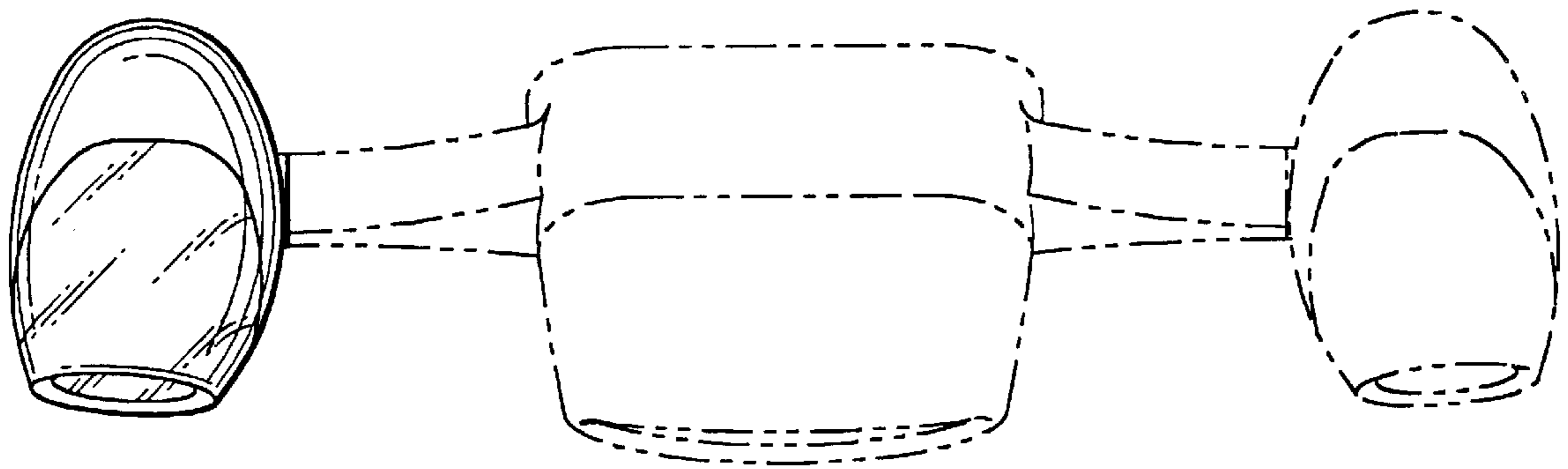
The dash lines depict environment and is not part of the claimed design.

**1 Claim, 2 Drawing Sheets**

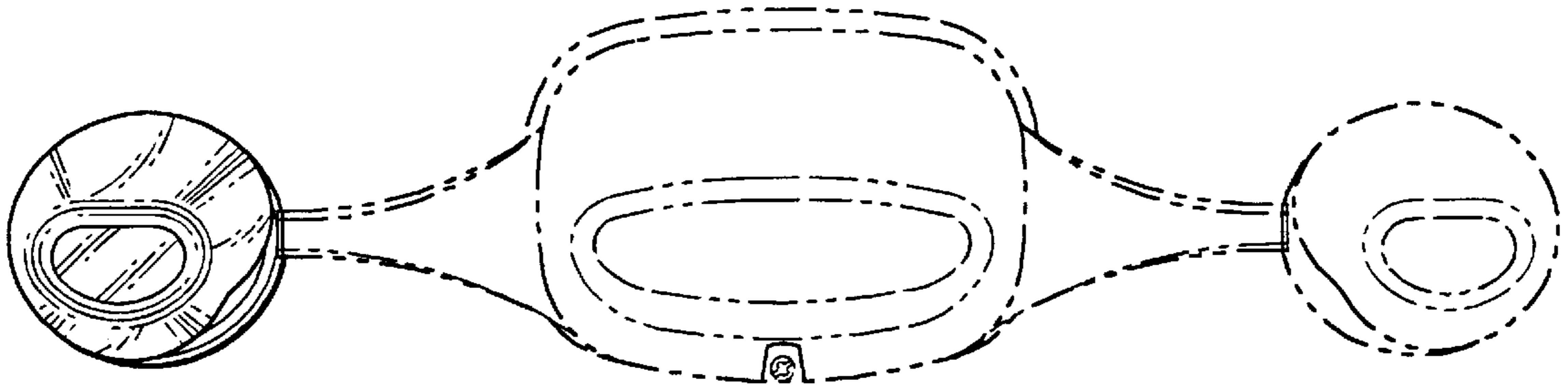




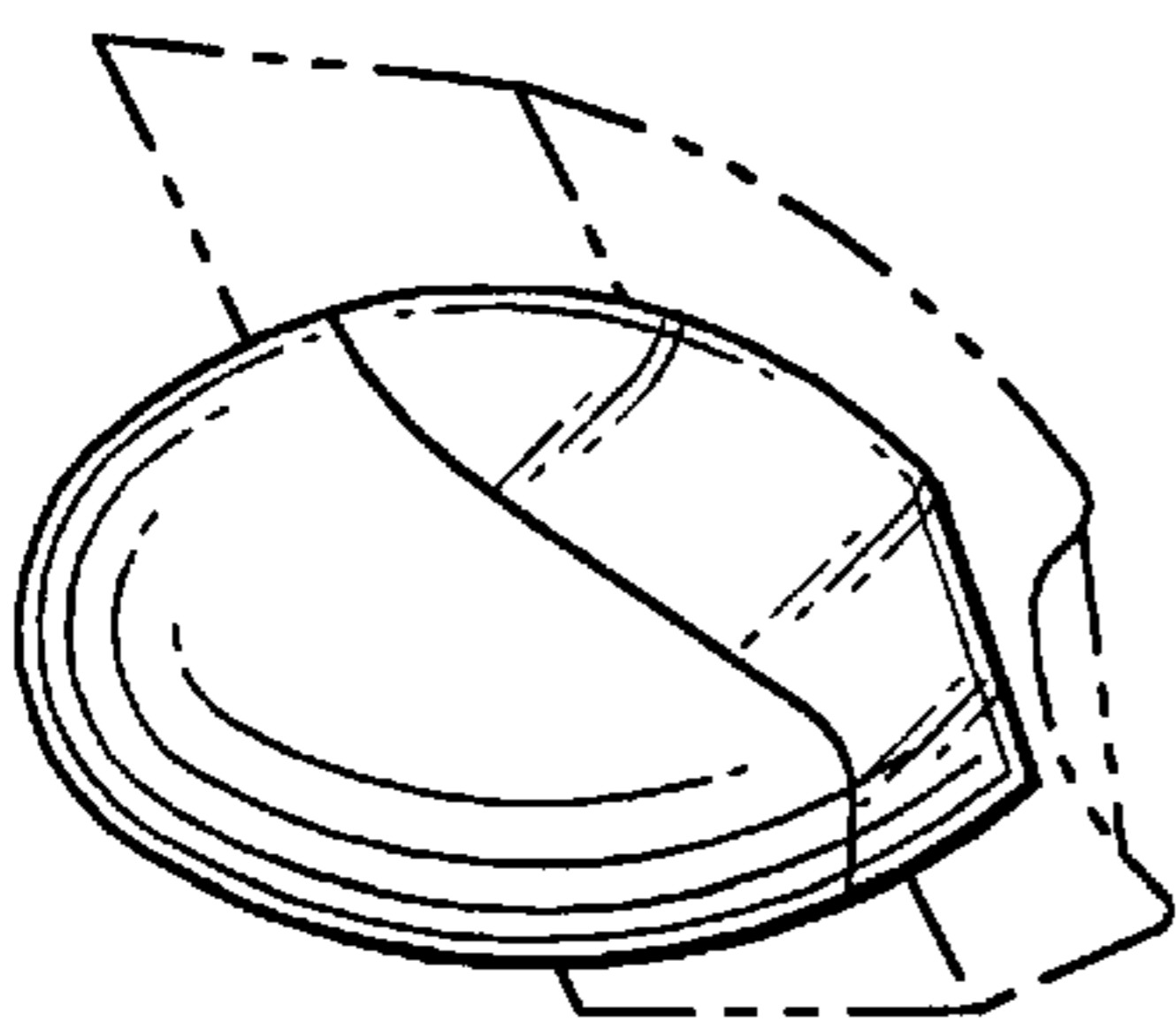
*Fig. 1*



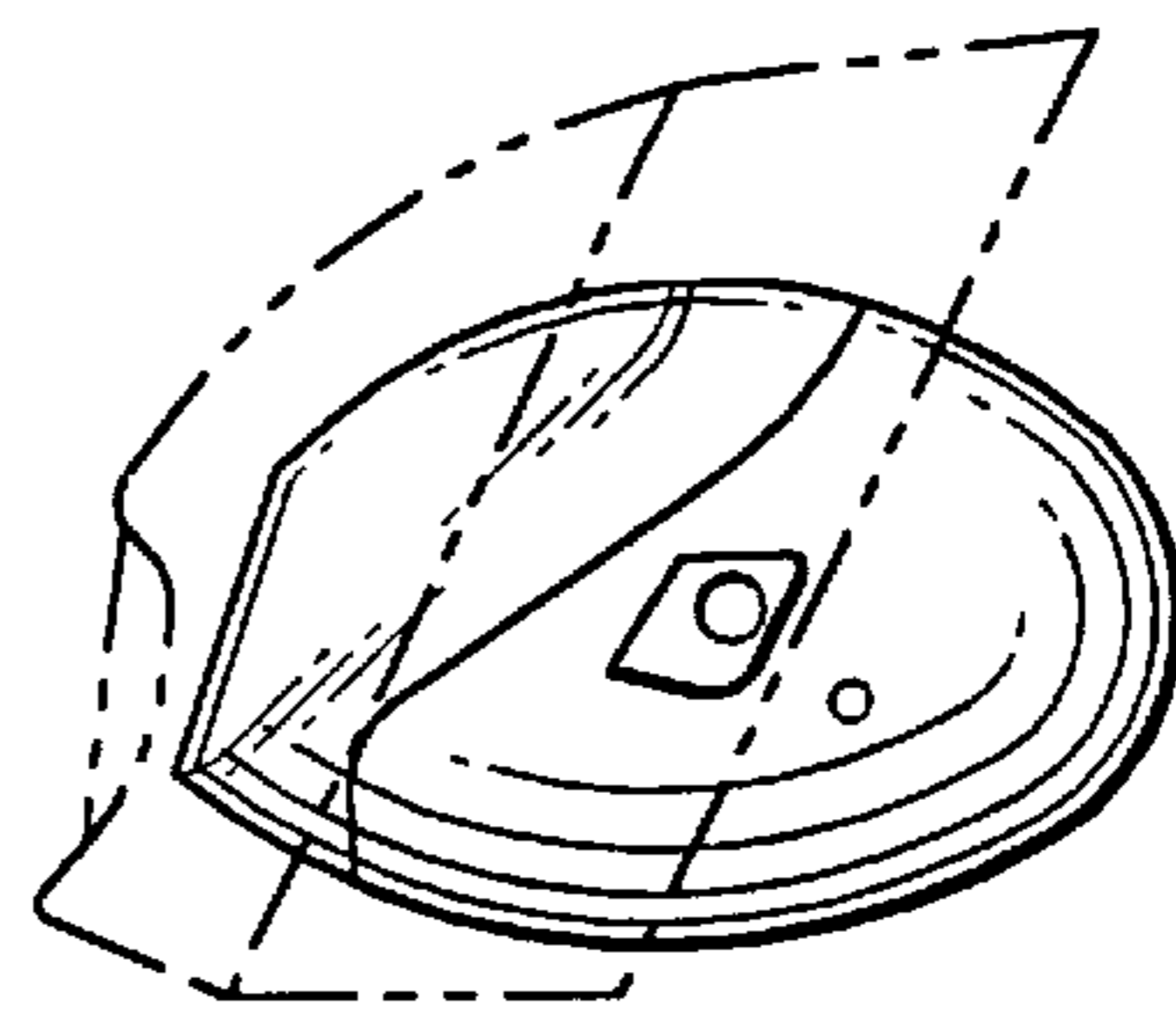
*Fig. 2*



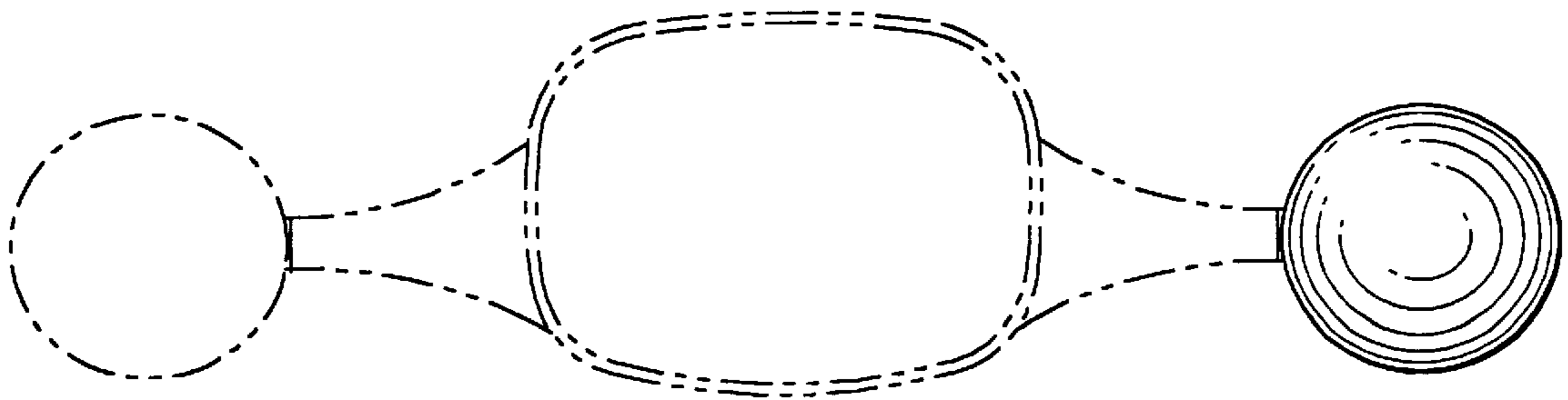
*Fig. 3*



*Fig. 4*



*Fig. 6*



*Fig. 5*