



US00D422720S

United States Patent [19] Hardy

[11] **Patent Number: Des. 422,720**

[45] **Date of Patent: ** Apr. 11, 2000**

[54] **CANDLE LANTERN AND SPOON THEREFOR**

[75] Inventor: **Christopher Hardy**, Springfield, Ill.

[73] Assignee: **Design Ideas, Ltd.**, Springfield, Ill.

[**] Term: **14 Years**

[21] Appl. No.: **29/110,147**

[22] Filed: **Aug. 30, 1999**

[51] **LOC (6) Cl.** **26-01**

[52] **U.S. Cl.** **D26/11**

[58] **Field of Search** D26/9-13, 134,
D26/119; 431/125, 288, 291-295; 362/161-3,
392

[56] **References Cited**

U.S. PATENT DOCUMENTS

D. 243,709	3/1977	Moore	D26/9
D. 262,999	2/1982	Spencer	.	
D. 271,056	10/1983	Perkins	.	
D. 280,242	8/1985	Burket et al.	.	
D. 357,085	4/1995	Ratia	.	
D. 412,759	8/1999	Hardy	D26/9

OTHER PUBLICATIONS

Party Magazine; cover photo of hanging lanterns; design digest, July 1927.

Primary Examiner—Robin V. Taylor

Attorney, Agent, or Firm—Saidman DesignLaw Group

[57] **CLAIM**

The ornamental design for a candle lantern and spoon therefor, as shown and described.

DESCRIPTION

FIG. 1 is a perspective view of a candle lantern and spoon therefor showing my new design;

FIG. 2 is a front view thereof, the rear view being a mirror image;

FIG. 3 is a left side view thereof, the right side view being a mirror image;

FIG. 4 is a top view thereof;

FIG. 5 is a bottom view thereof;

FIG. 6 is a perspective view thereof with the spoon removed from the candle lantern;

FIG. 7 is a perspective view of a second embodiment of my new design;

FIG. 8 is a front view thereof, the rear view being a mirror image;

FIG. 9 is a left side view thereof, the right side being a mirror image;

FIG. 10 is a top view thereof; and,

FIG. 11 is a bottom view thereof.

The shading shown in FIGS. 7-11 represents a frosted surface appearance.

1 Claim, 8 Drawing Sheets

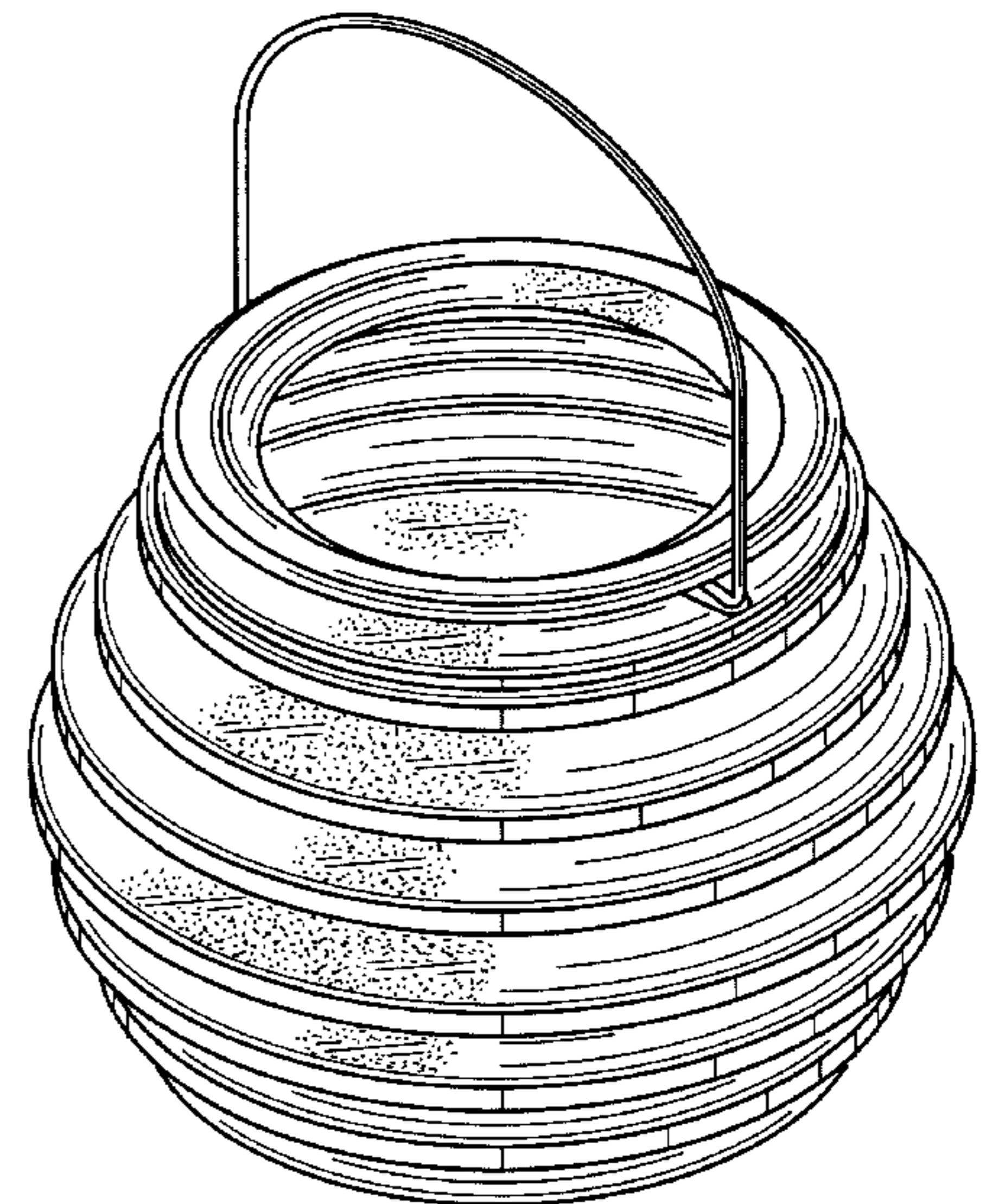
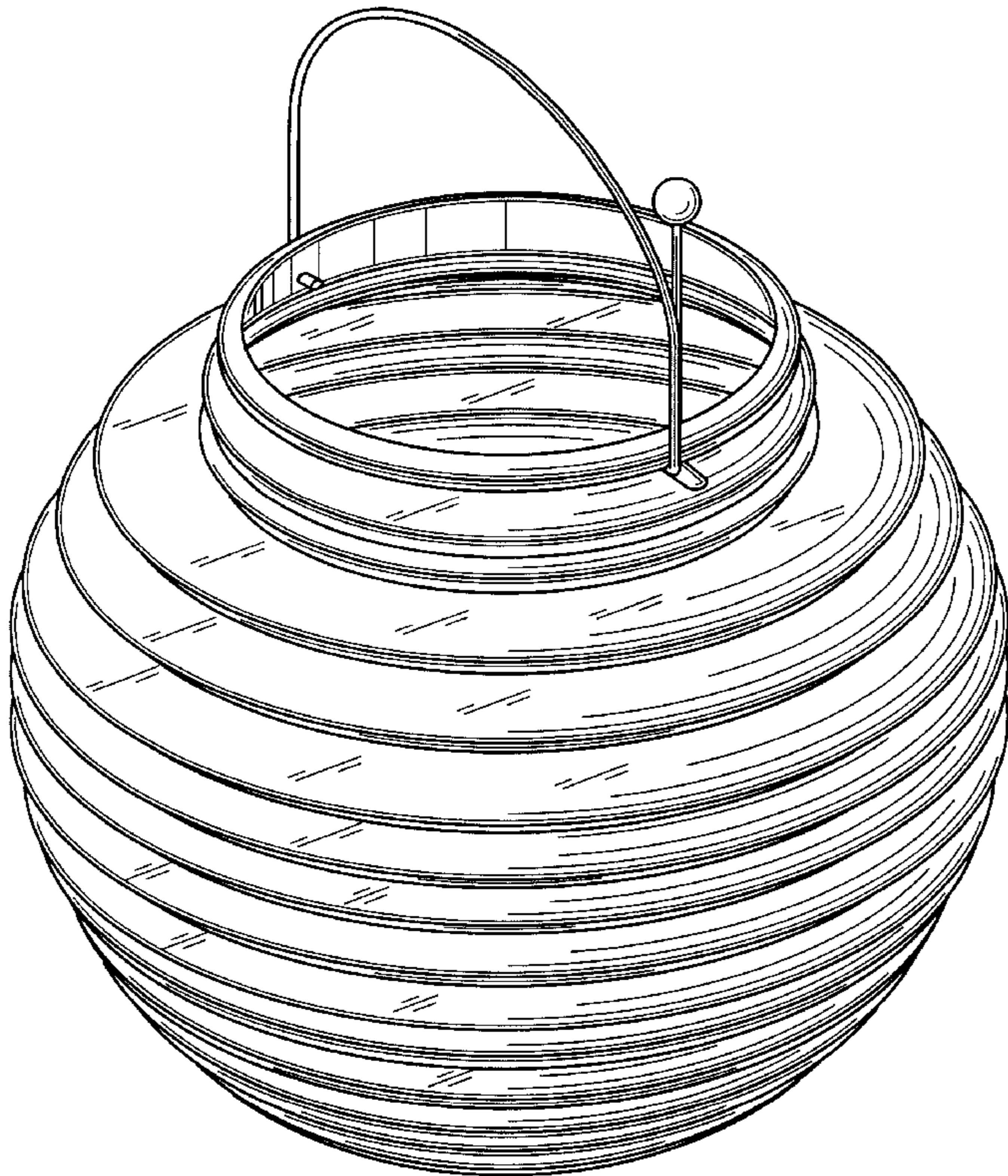


FIG. 1

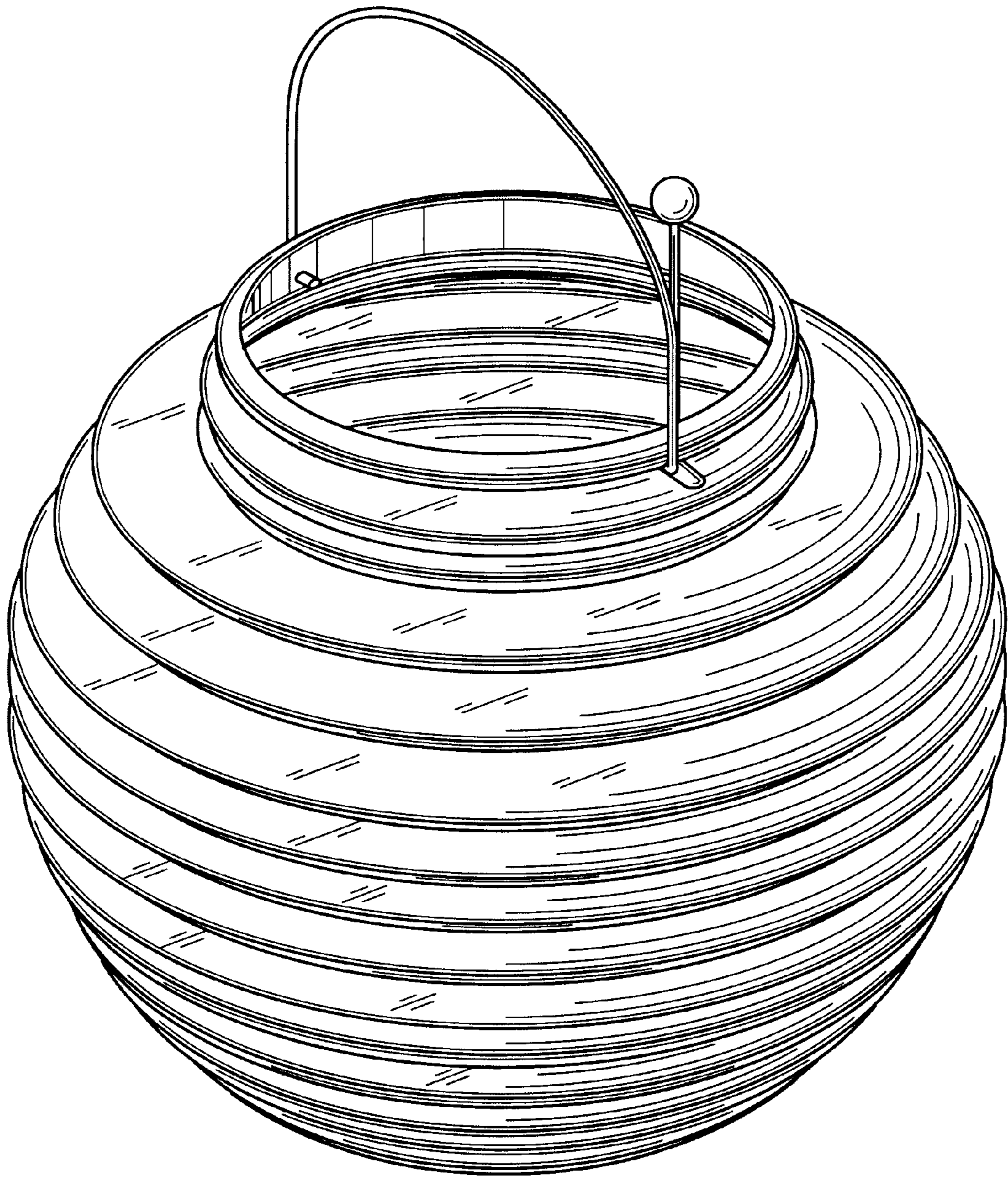


FIG. 2

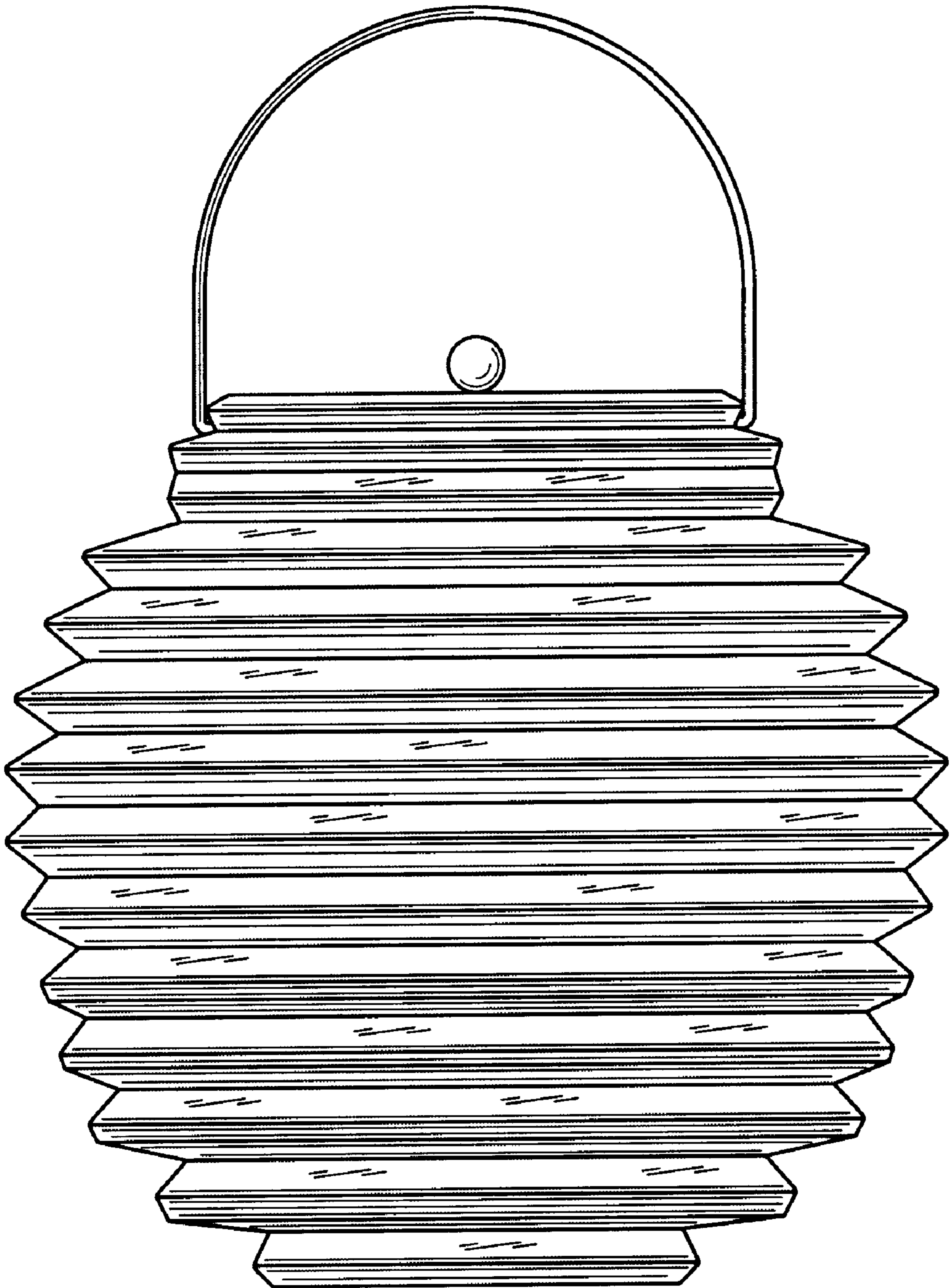


FIG. 3

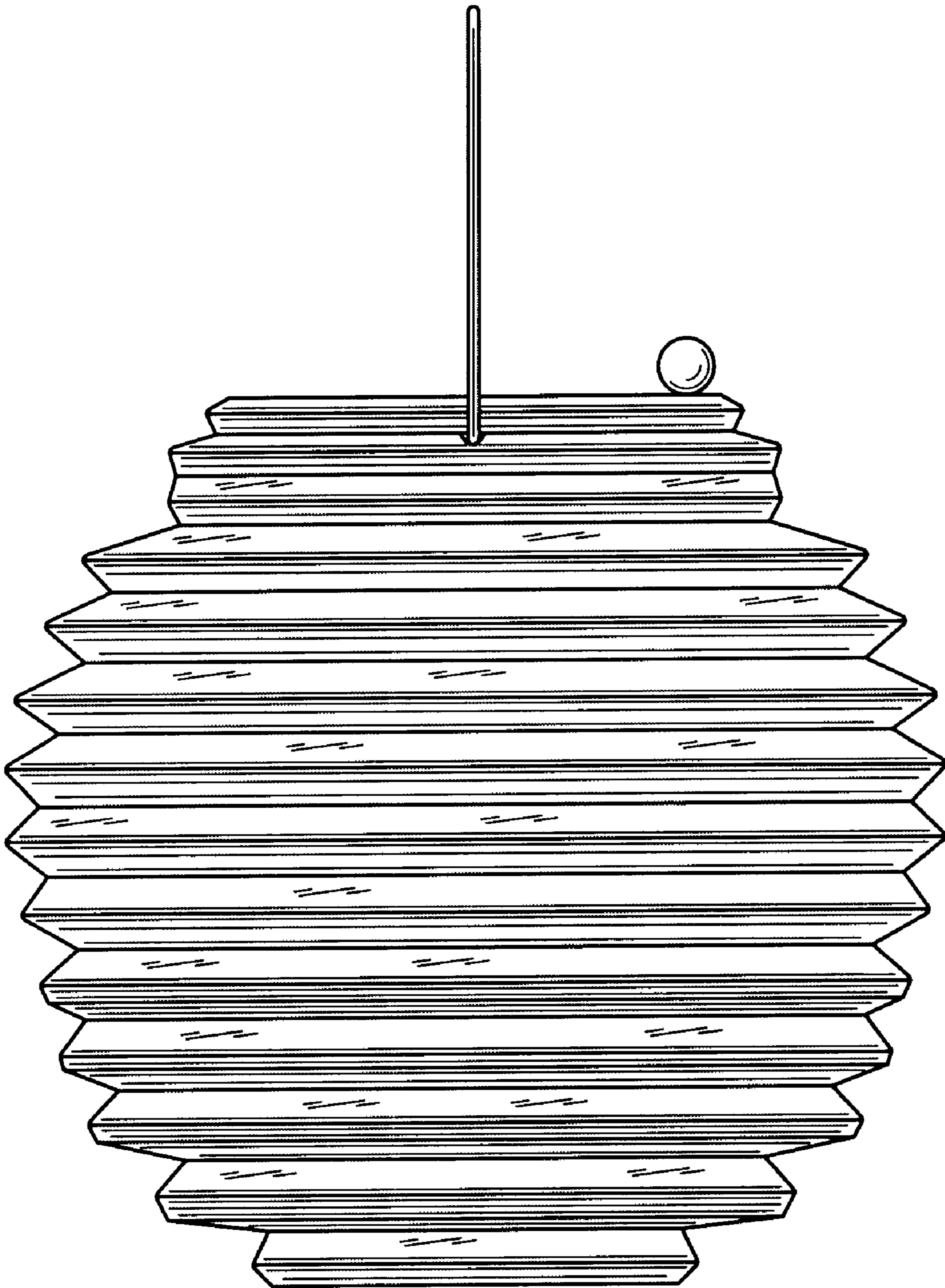


FIG. 4

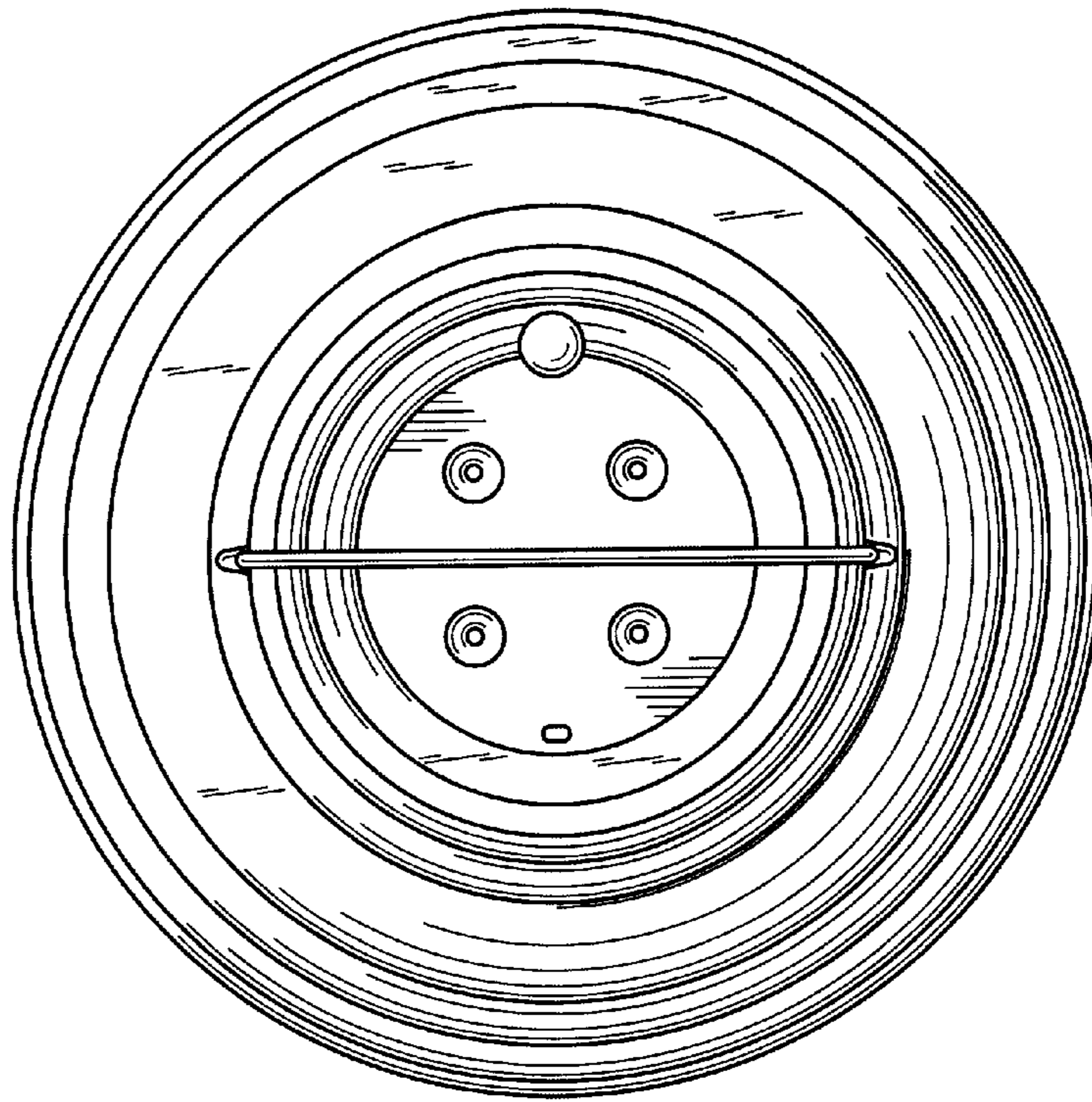


FIG. 5

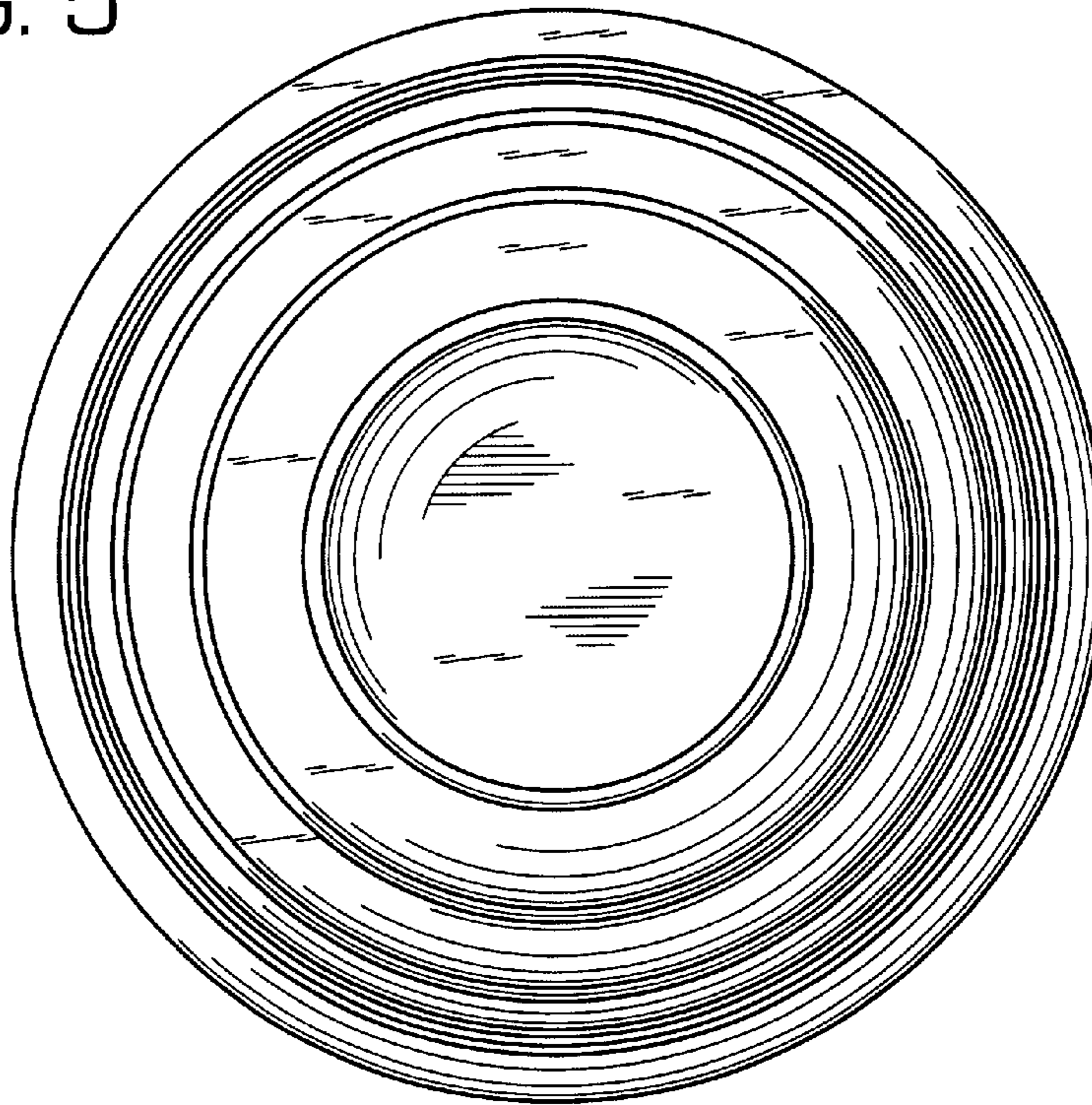


FIG. 6

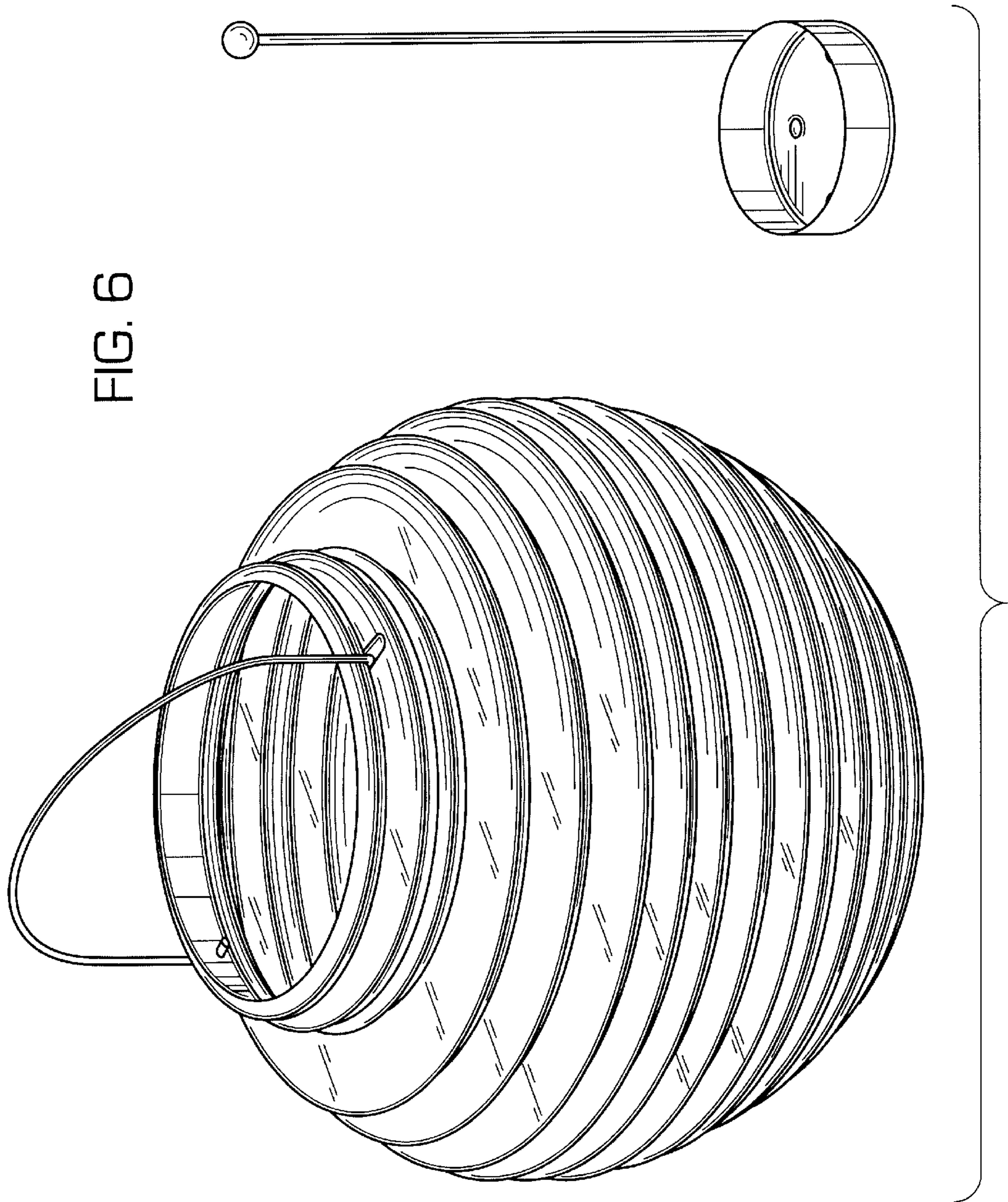


FIG. 7

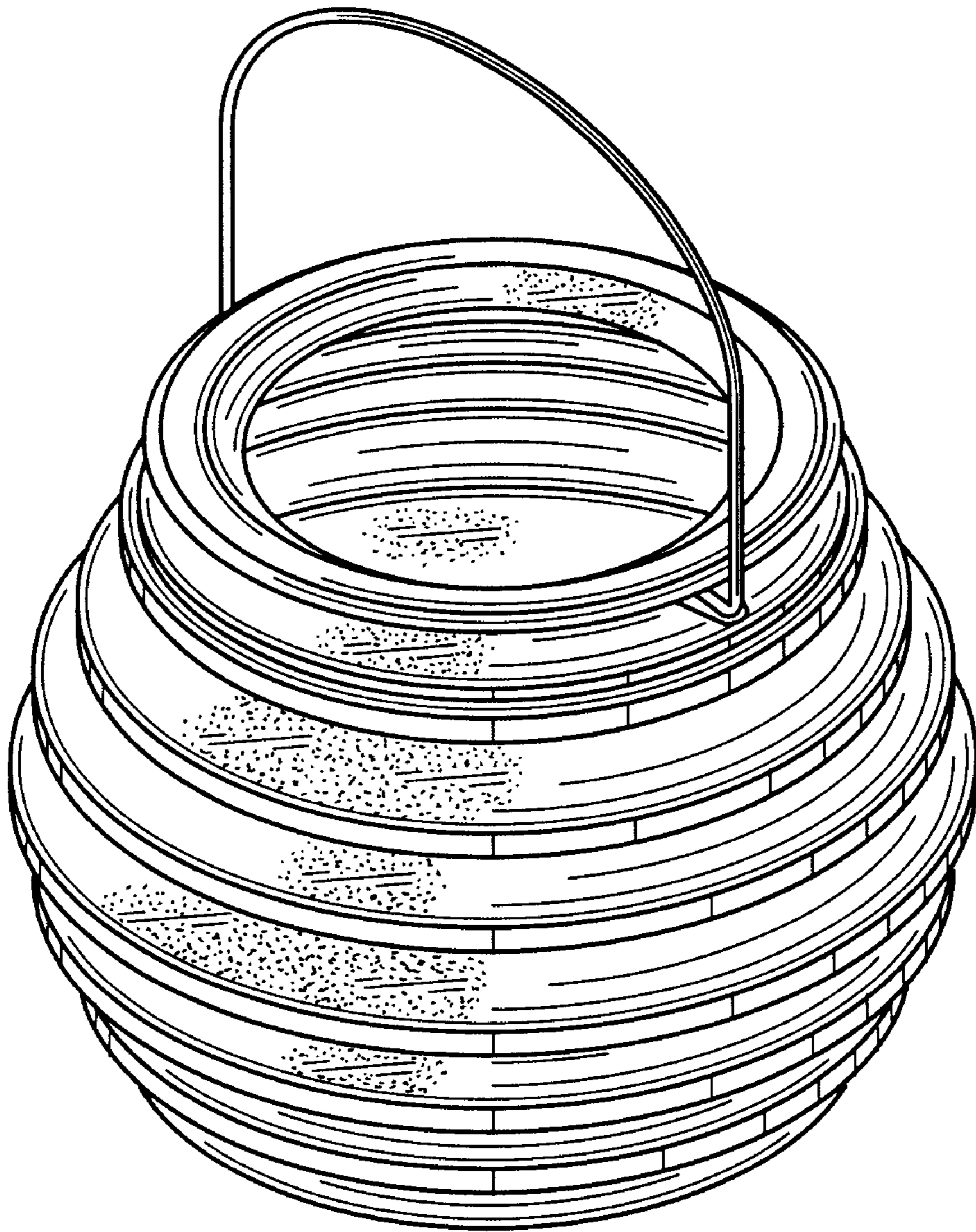


FIG. 8

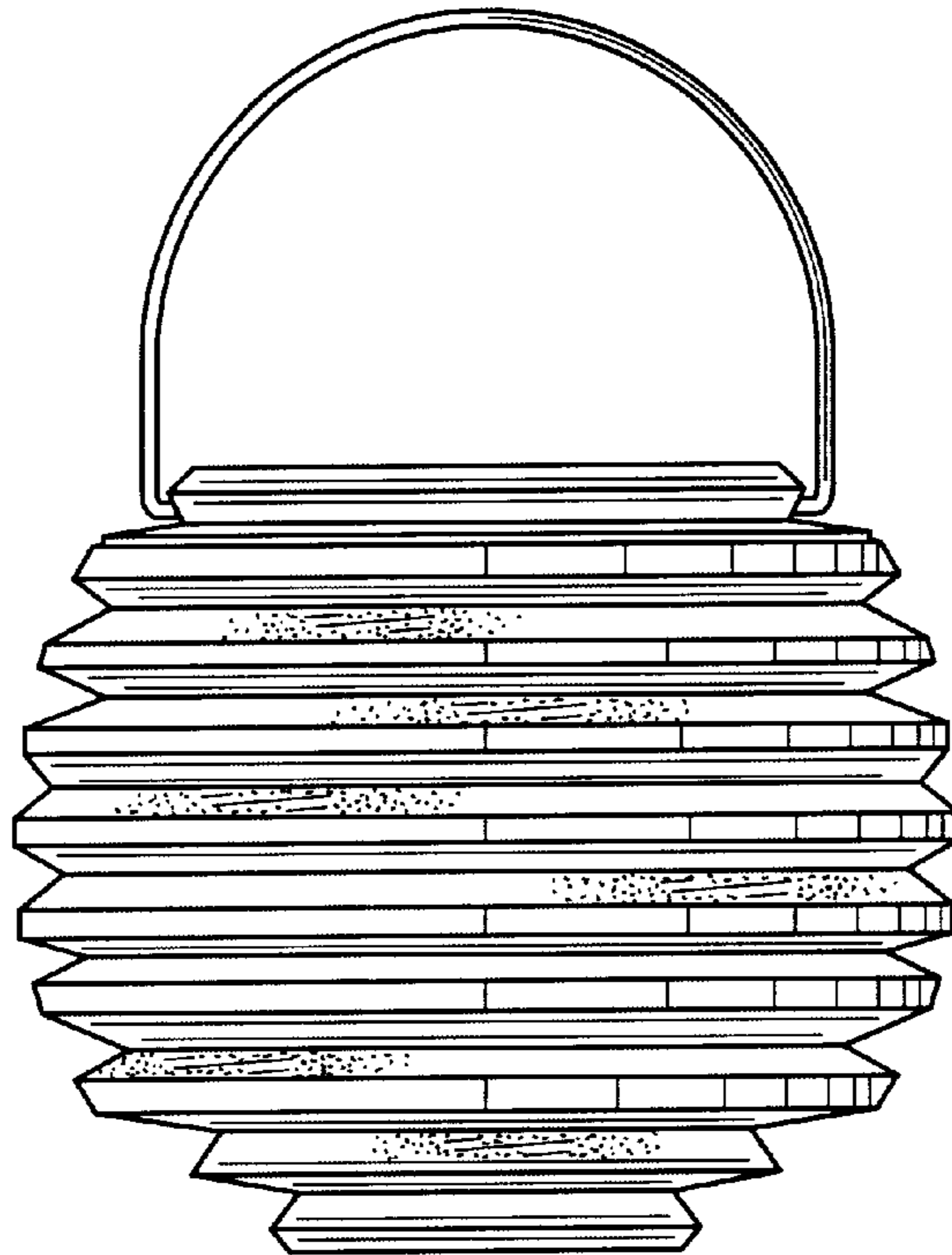


FIG. 9

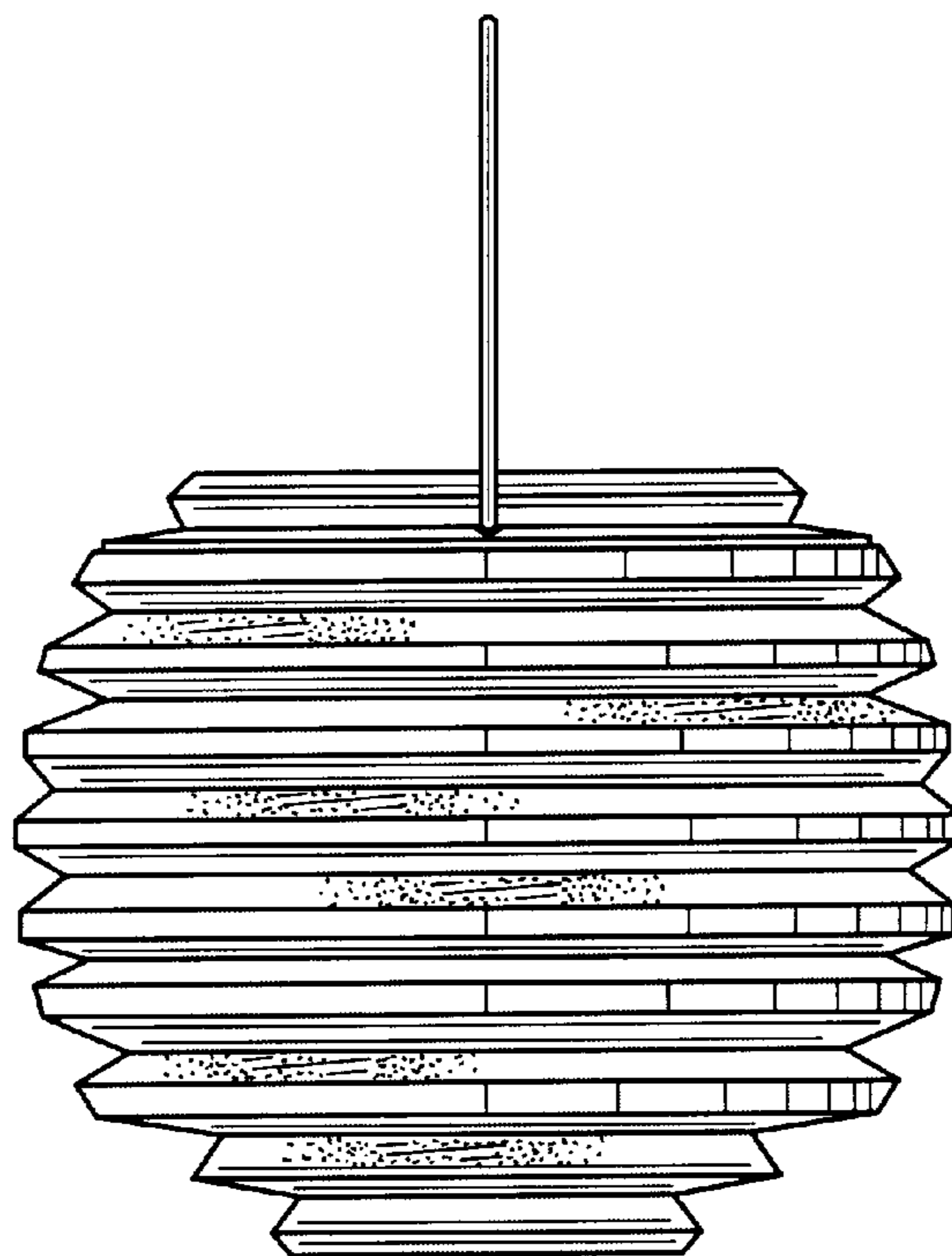


FIG. 10

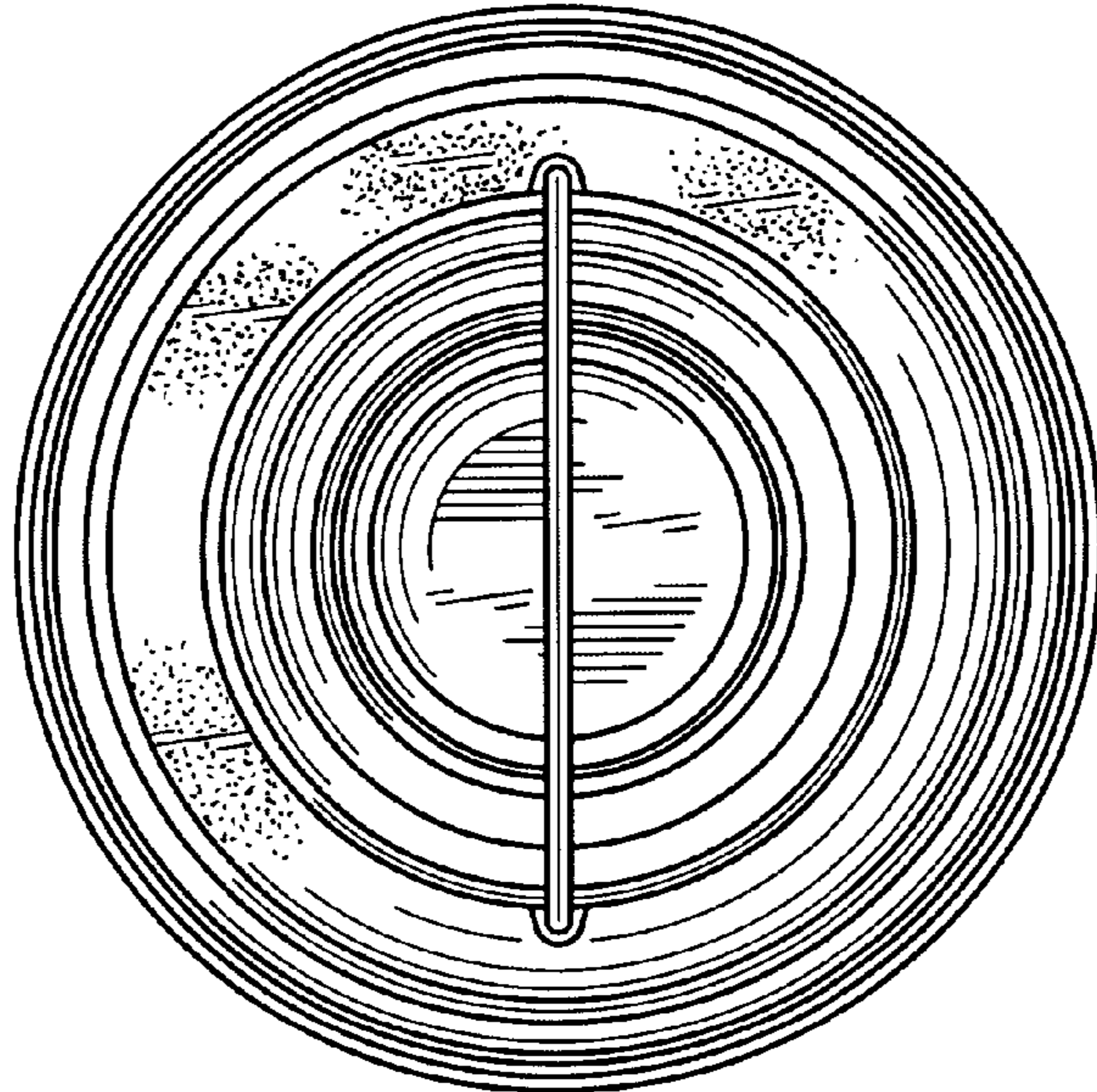


FIG. 11

