



US00D422718S

**United States Patent** [19]  
**Chaney et al.**

[11] **Patent Number: Des. 422,718**  
[45] **Date of Patent: \*\* Apr. 11, 2000**

[54] **DECK PLANK EXTRUSION**

[75] Inventors: **Michael T. Chaney**, Middletown;  
**Jonathan C. Hauberg**, Beavercreek;  
**Paul A. Siudzinski**, Springboro, all of  
Ohio

[73] Assignee: **Dayton Technologies, Inc.**, Monroe,  
Ohio

[\*\*] Term: **14 Years**

[21] Appl. No.: **29/106,082**

[22] Filed: **Jun. 10, 1999**

[51] **LOC (6) Cl.** ..... **25-01**

[52] **U.S. Cl.** ..... **D25/122**

[58] **Field of Search** ..... 14/73; 405/196;  
119/406, 407, 525, 529; 52/177, 181; D25/124,  
122, 138

[56] **References Cited**

**U.S. PATENT DOCUMENTS**

D. 345,222 3/1994 Hallsten et al. .... D25/125  
5,483,716 1/1996 Burnaman ..... 14/73

*Primary Examiner*—Doris Clark  
*Attorney, Agent, or Firm*—Jacox, Meckstroth & Jenkins

[57] **CLAIM**

The ornamental design of a deck plank extrusion, as shown and described.

**DESCRIPTION**

FIG. 1 is a front perspective view of a deck plank extrusion, showing our new design, with a middle portion broken away in the center to disclose indefinite length; and, FIG. 2 is an end view thereof, the opposite end view being the same.

**1 Claim, 1 Drawing Sheet**

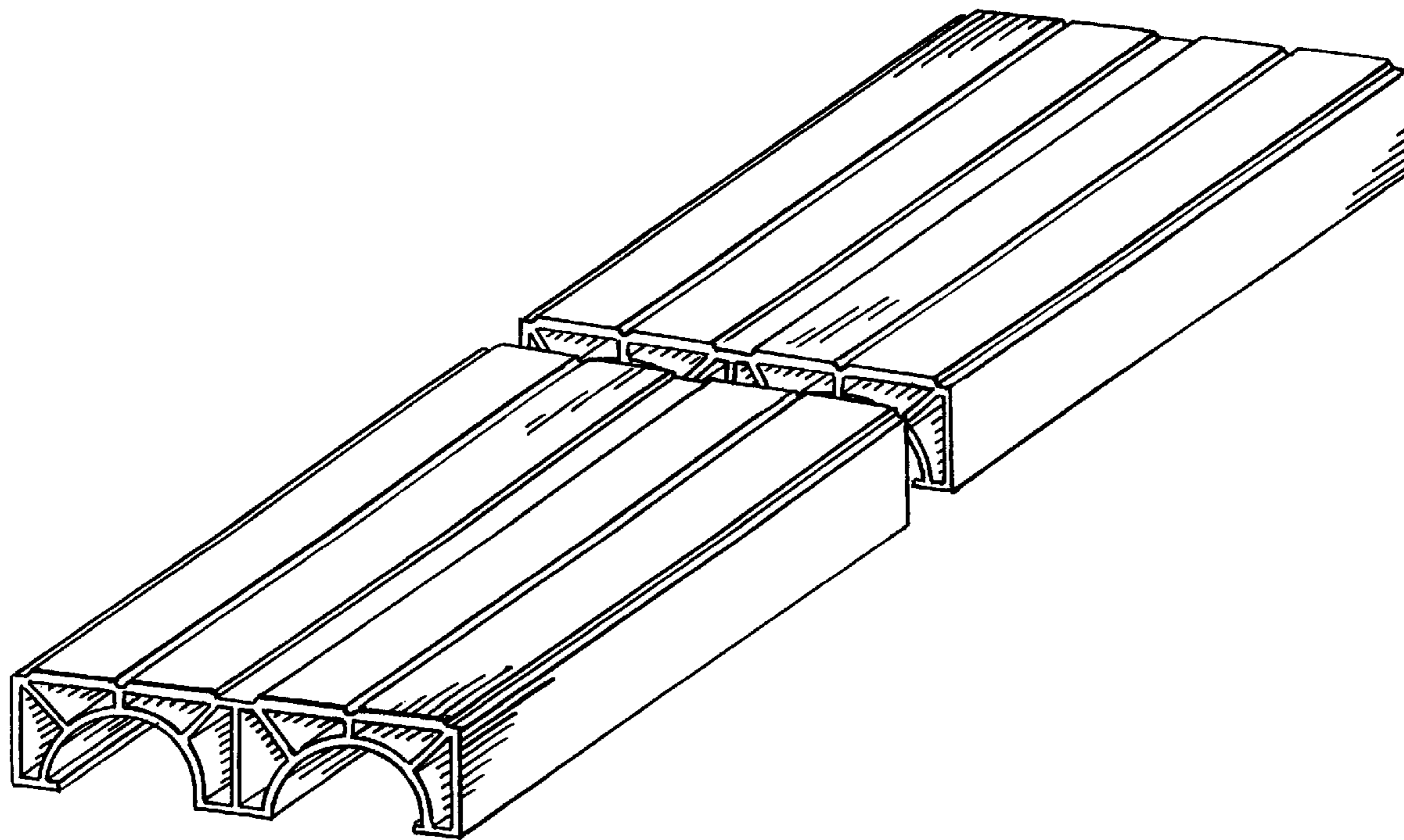


FIG-1

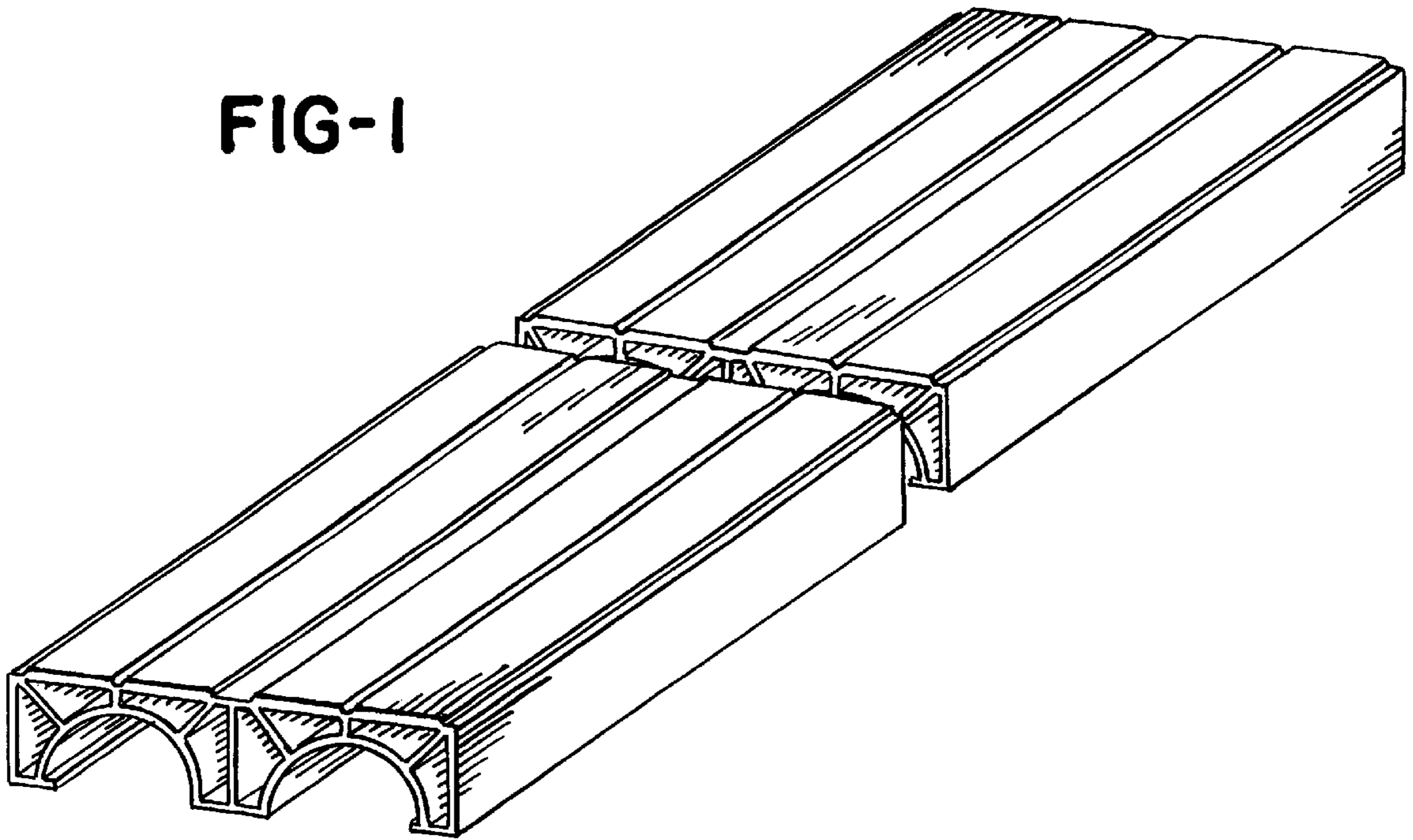


FIG-2

