



US00D422717S

# United States Patent [19]

[11] **Patent Number: Des. 422,717**

**Bartnicki et al.**

[45] **Date of Patent: \*\* Apr. 11, 2000**

[54] **LADDER TOP**

[75] Inventors: **Frederick J. Bartnicki**, Greenville, Pa.; **James Hand**, Glen Ellyn, Ill.; **Randall Bell**, River Forest, Ill.; **John J. Dylik**, LaGrange, Ill.; **Edward E. Heald**, Greenville, Pa.

[73] Assignee: **Werner Co.**, Greenville, Pa.

[\*\*] Term: **14 Years**

[21] Appl. No.: **29/104,975**

[22] Filed: **May 13, 1999**

### Related U.S. Application Data

[62] Division of application No. 29/096,139, Nov. 5, 1998.

[51] **LOC (6) Cl.** ..... **25-04**

[52] **U.S. Cl.** ..... **D25/68**

[58] **Field of Search** ..... D25/68; 248/236, 248/238, 210; 182/120, 129

[56] **References Cited**

### U.S. PATENT DOCUMENTS

5,673,885 10/1997 Pham ..... 248/238

*Primary Examiner*—Doris Clark  
*Attorney, Agent, or Firm*—Howrey & Simon; Michael J. Bell

### [57] CLAIM

The ornamental design for a ladder top, as shown and described.

### DESCRIPTION

FIG. 1 is a perspective view of a ladder top embodying our design;

FIG. 2 is a front top plan thereof;

FIG. 3 is a bottom plan view thereof;

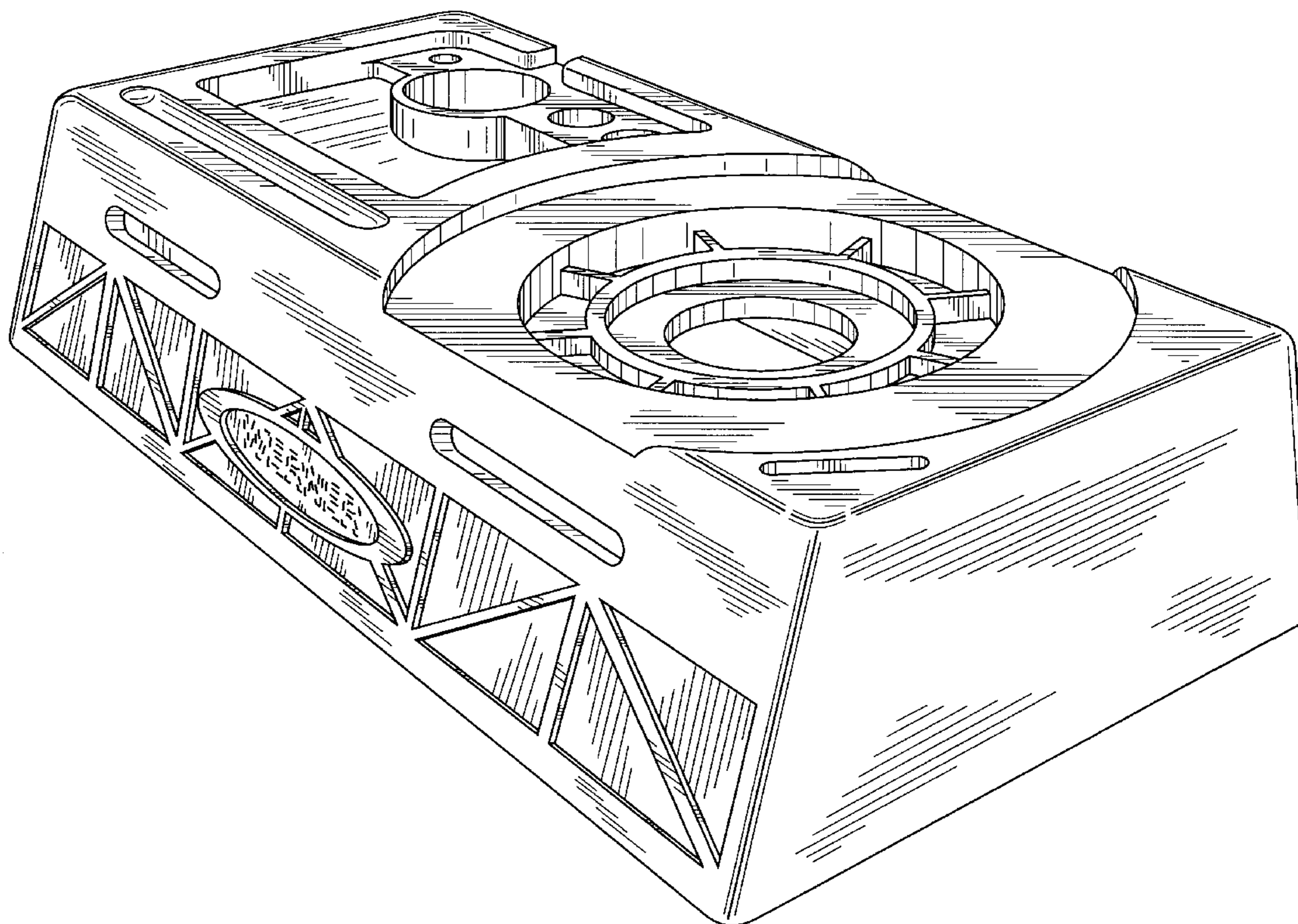
FIG. 4 is a front elevational view thereof;

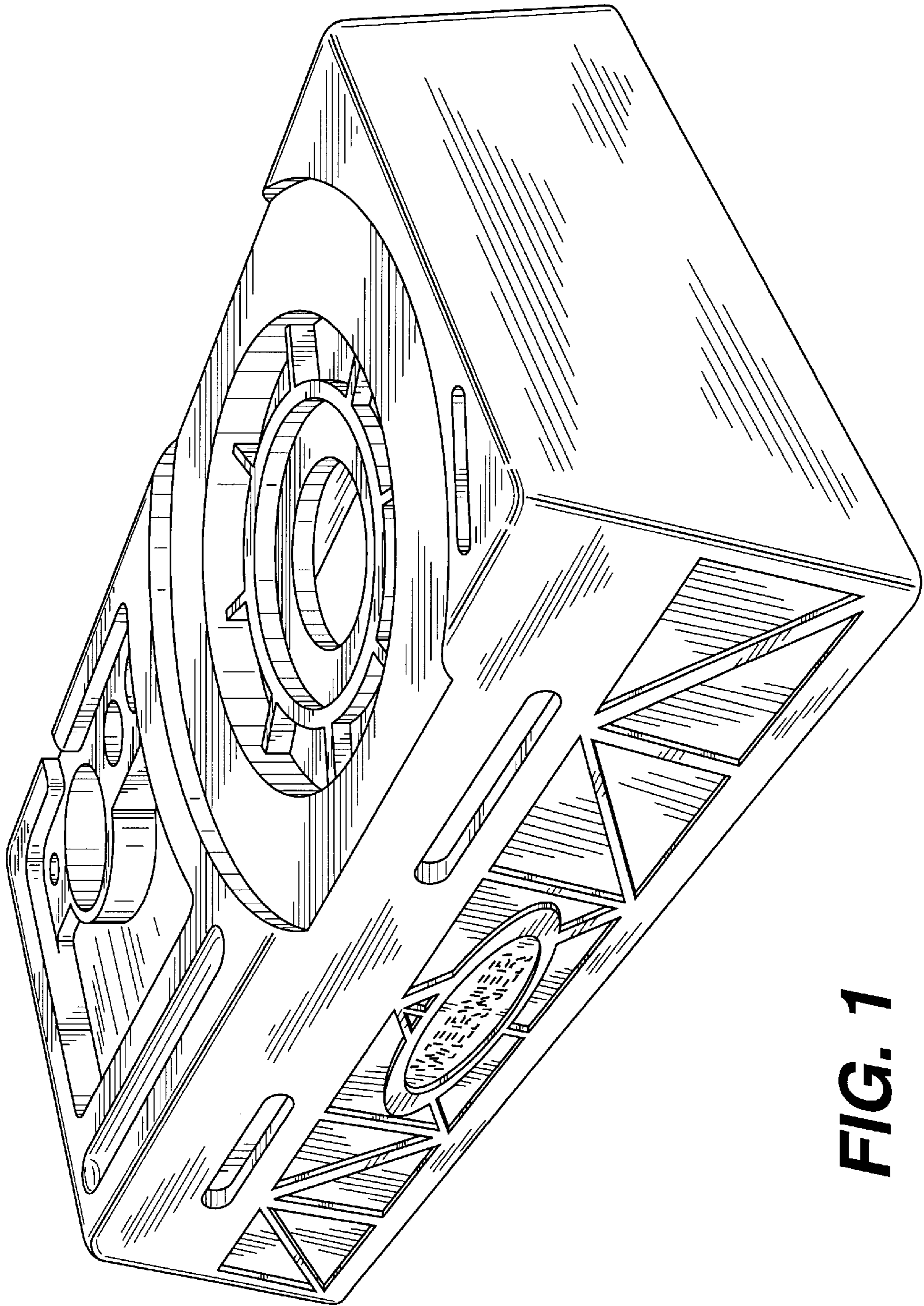
FIG. 5 is a rear elevational view thereof; and,

FIG. 6 is a left side elevational view thereof, the right side elevational view being a mirror image thereof.

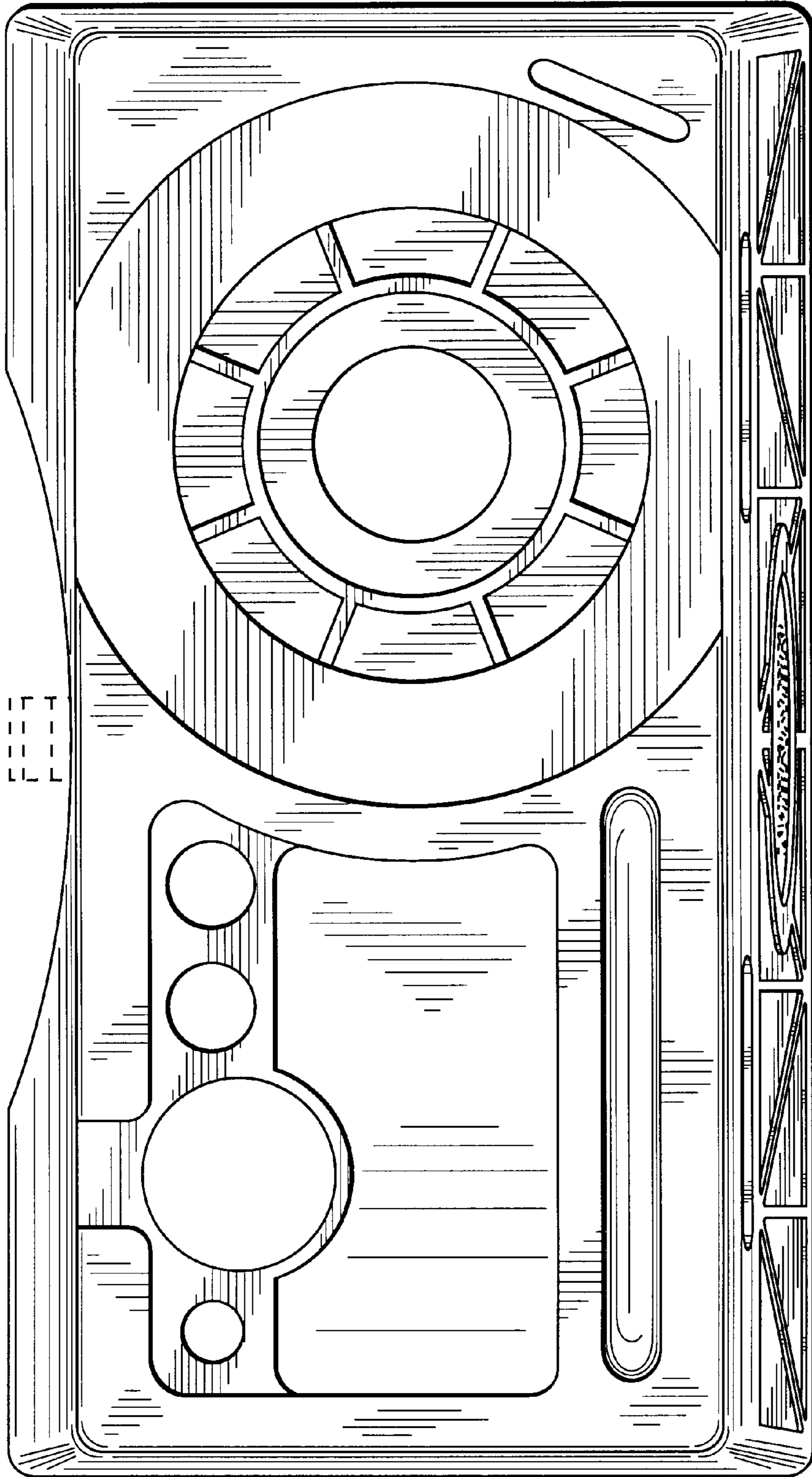
The broken lines are for illustrative purposes only and form no part of the claimed design.

**1 Claim, 4 Drawing Sheets**

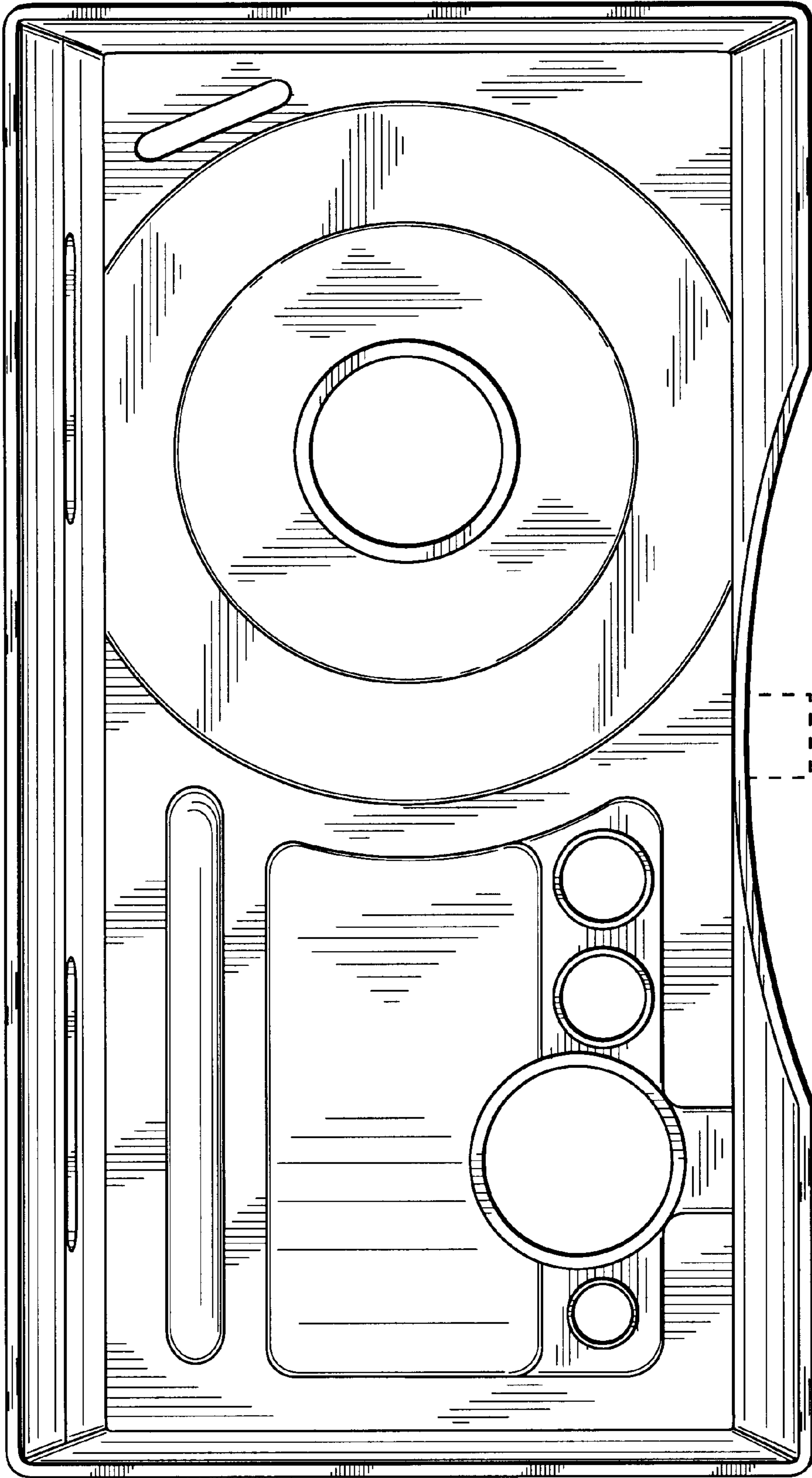




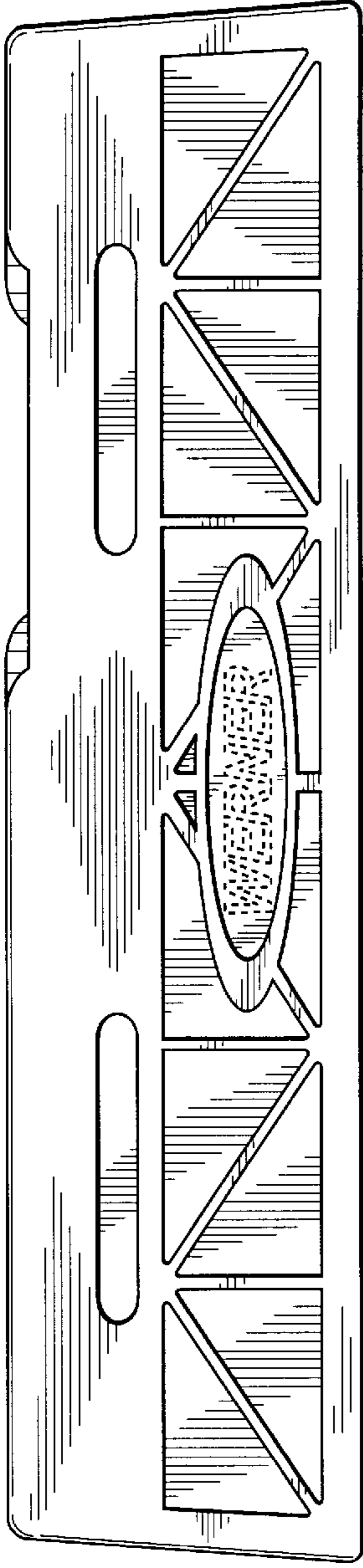
**FIG. 1**



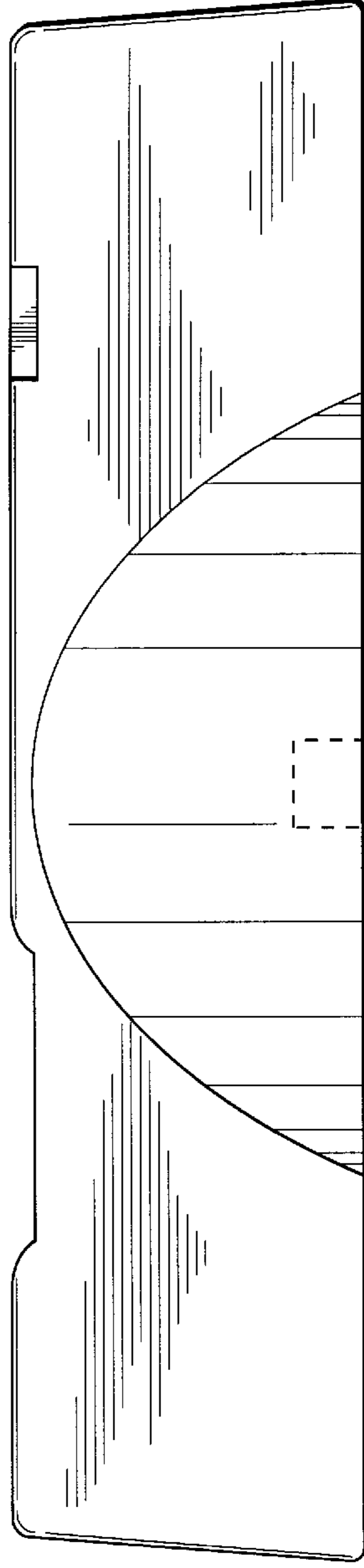
**FIG. 2**



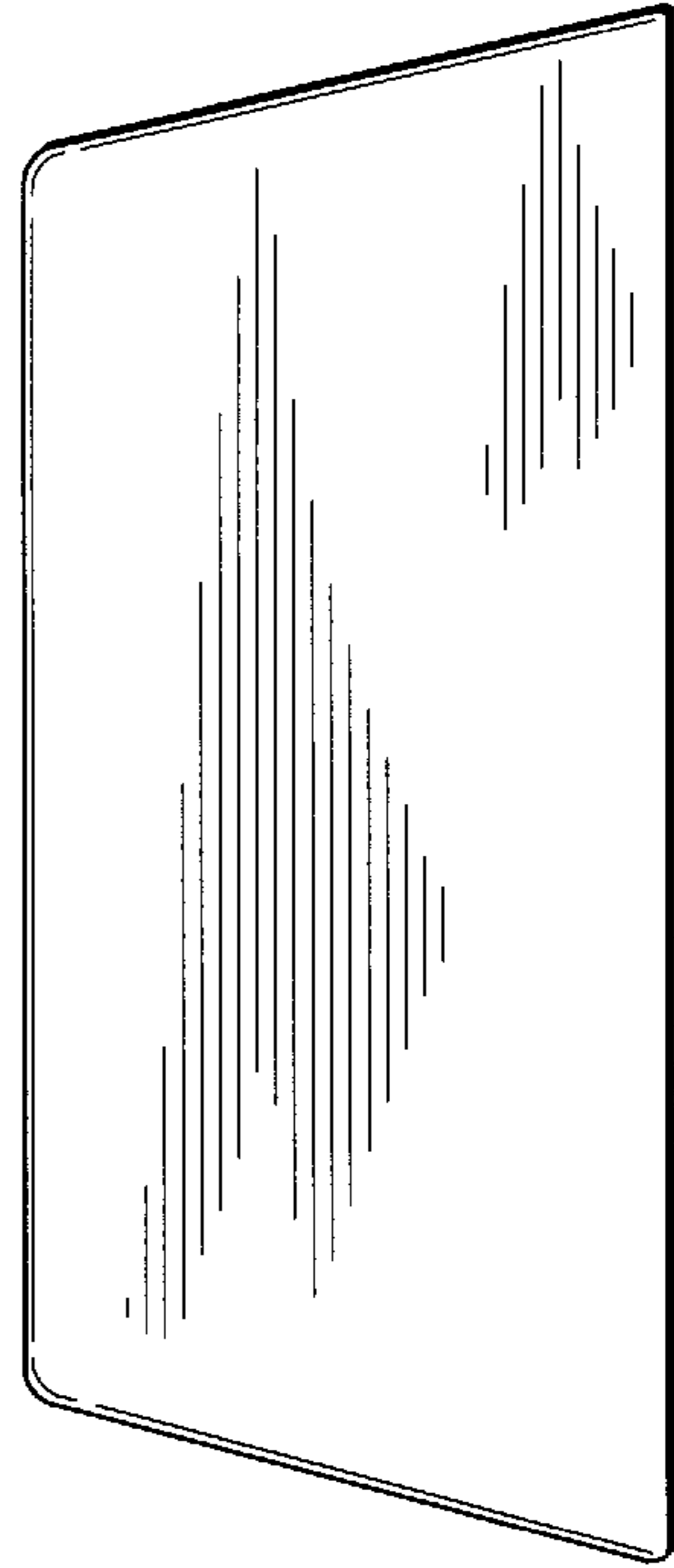
**FIG. 3**



**FIG. 4**



**FIG. 5**



**FIG. 6**