



US00D422716S

United States Patent [19]
Buldra, II

[11] **Patent Number: Des. 422,716**
[45] **Date of Patent: ** Apr. 11, 2000**

[54] **SAFETY LADDER WITH SAFETY KIT**

[57] **CLAIM**

[76] **Inventor: Frank J Buldra, II, 312 W. Hoard St., Watertown, N.Y. 13601**

The ornamental design for a safety ladder with safety kit, as shown and described.

[**] **Term: 14 Years**

DESCRIPTION

[21] **Appl. No.: 29/108,626**

FIG. 1 is a rear elevational view of the safety ladder with safety kit of the present invention;

[22] **Filed: Jul. 30, 1999**

FIG. 2 is a front elevational view of the safety ladder with safety kit of FIG. 1;

[51] **LOC (6) Cl. 25-04**

FIG. 3 is a right side elevational view of the safety ladder with safety kit of FIG. 1;

[52] **U.S. Cl. D25/64**

FIG. 4 is a left side elevational view of the safety ladder with safety kit of FIG. 1;

[58] **Field of Search D25/64; 182/194, 182/20, 70, 76**

FIG. 5 is a top plan view of the safety ladder with safety kit of FIG. 1; and,

[56] **References Cited**

FIG. 6 is a bottom plan view of the safety ladder with safety kit of FIG. 1.

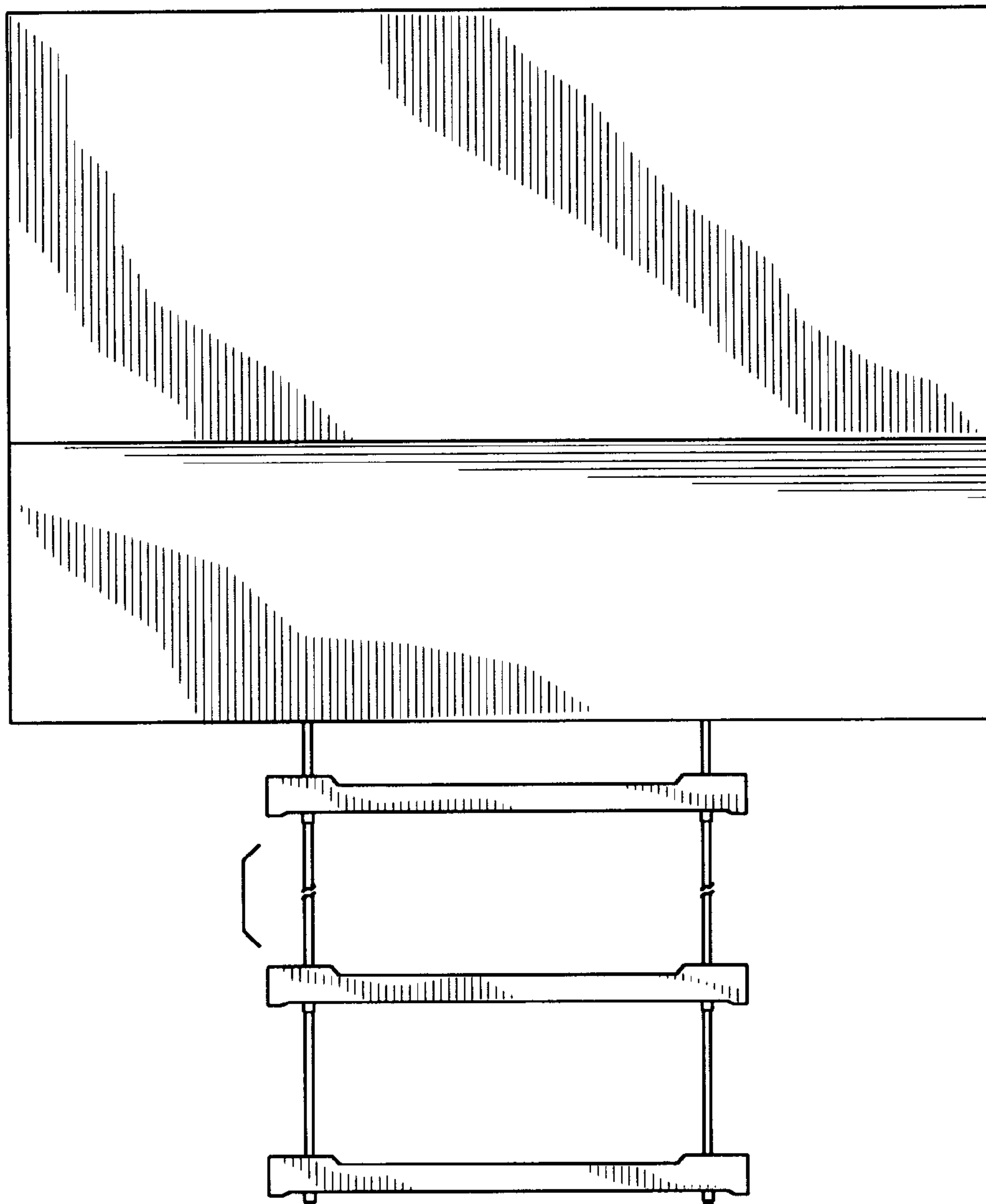
U.S. PATENT DOCUMENTS

D. 370,736 6/1996 Douglas et al. D25/64
4,164,991 8/1979 Marra 182/70

The stile on the ladder portion of the claimed design has been broken to indicate indefinite length of the ladder.

Primary Examiner—Doris Clark

1 Claim, 3 Drawing Sheets



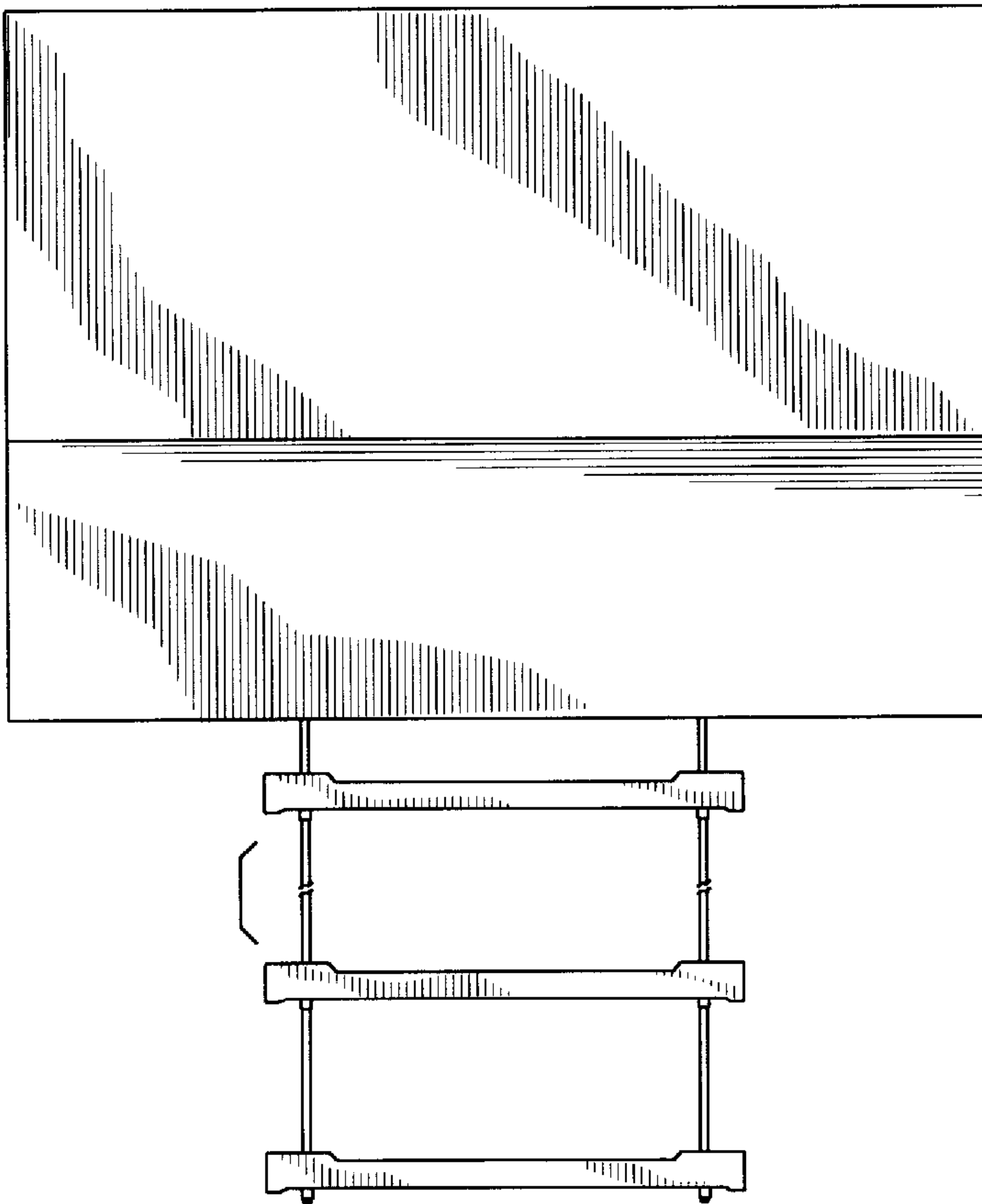
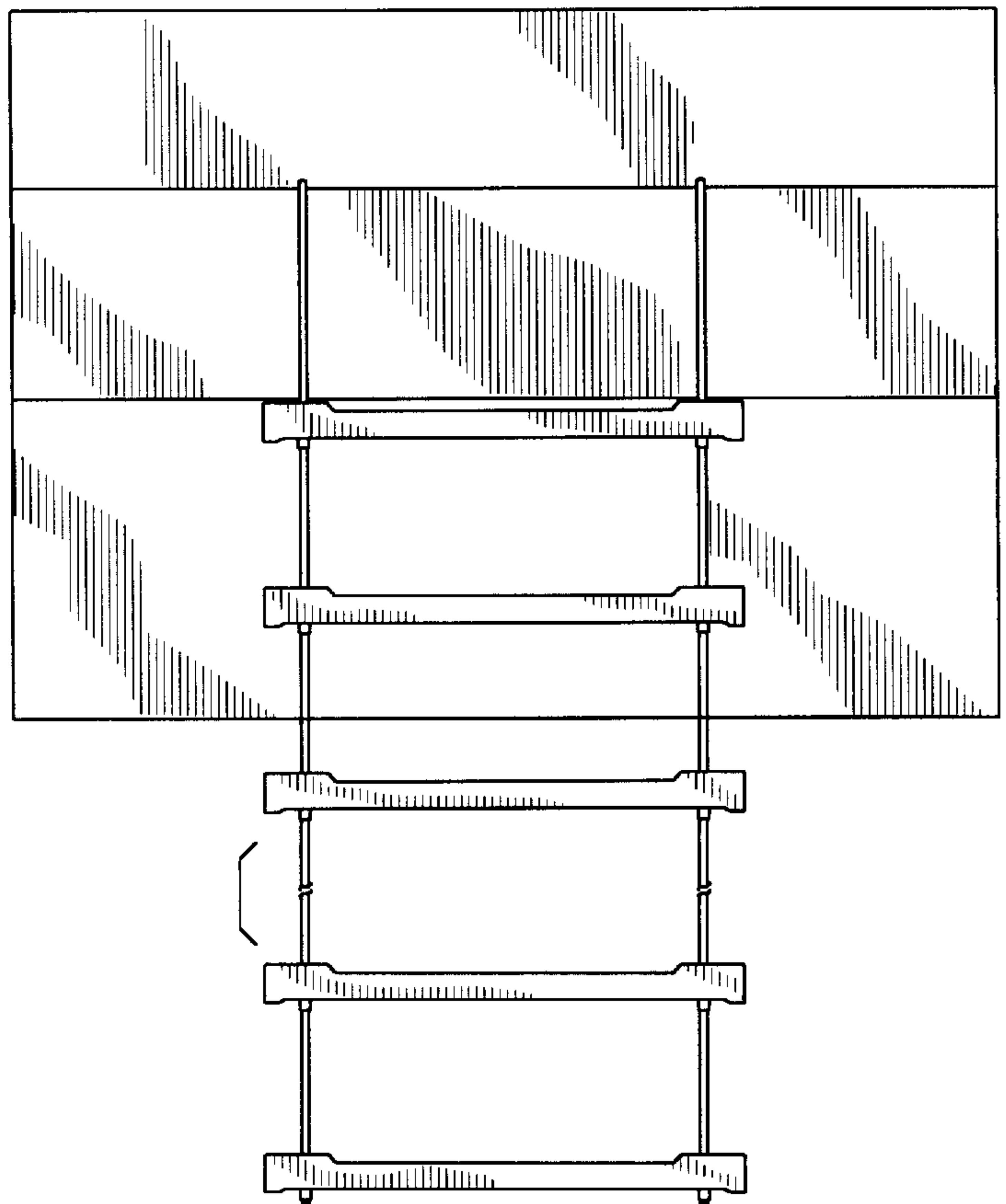


FIG. 1

FIG. 2



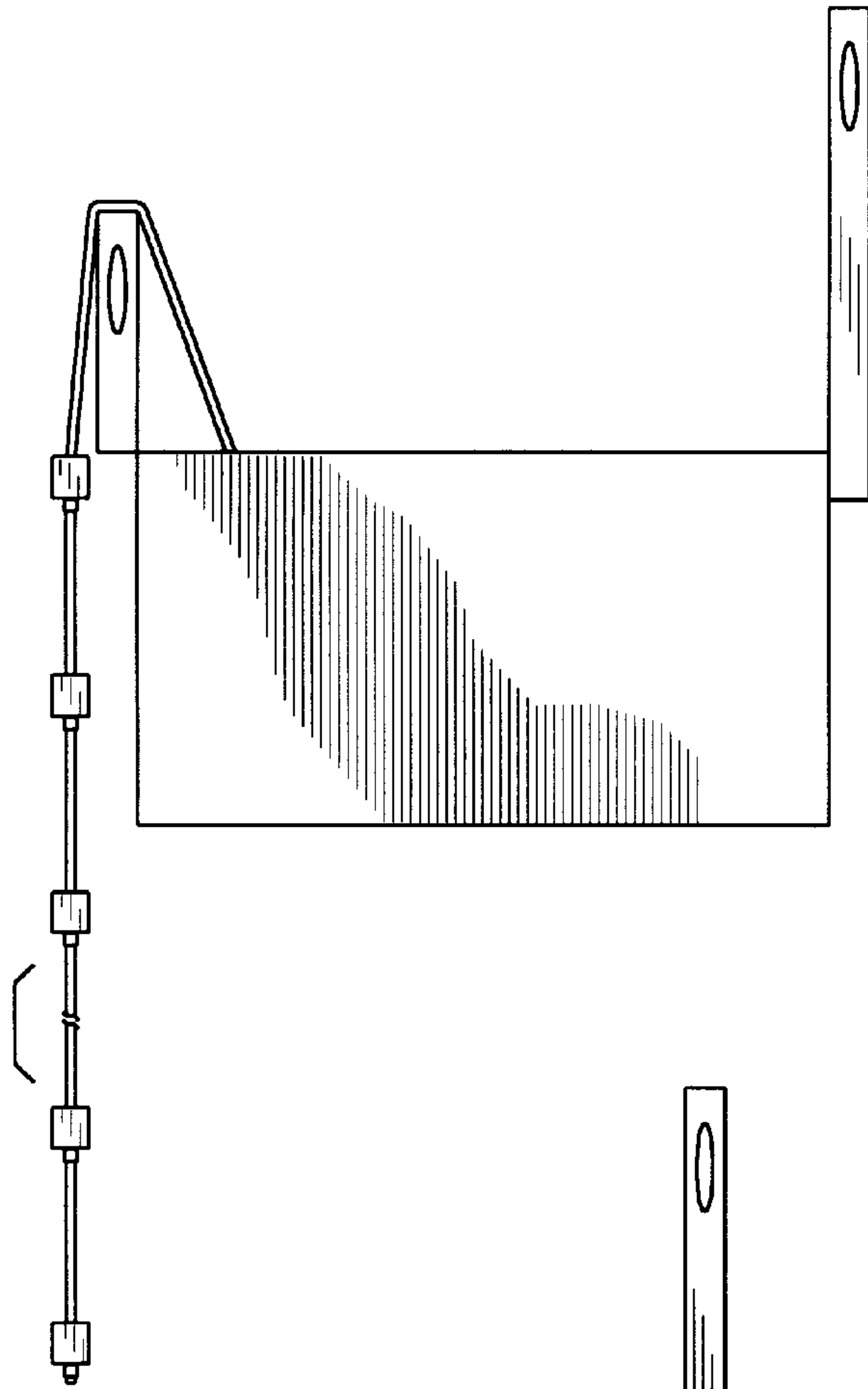


FIG. 3

FIG. 4

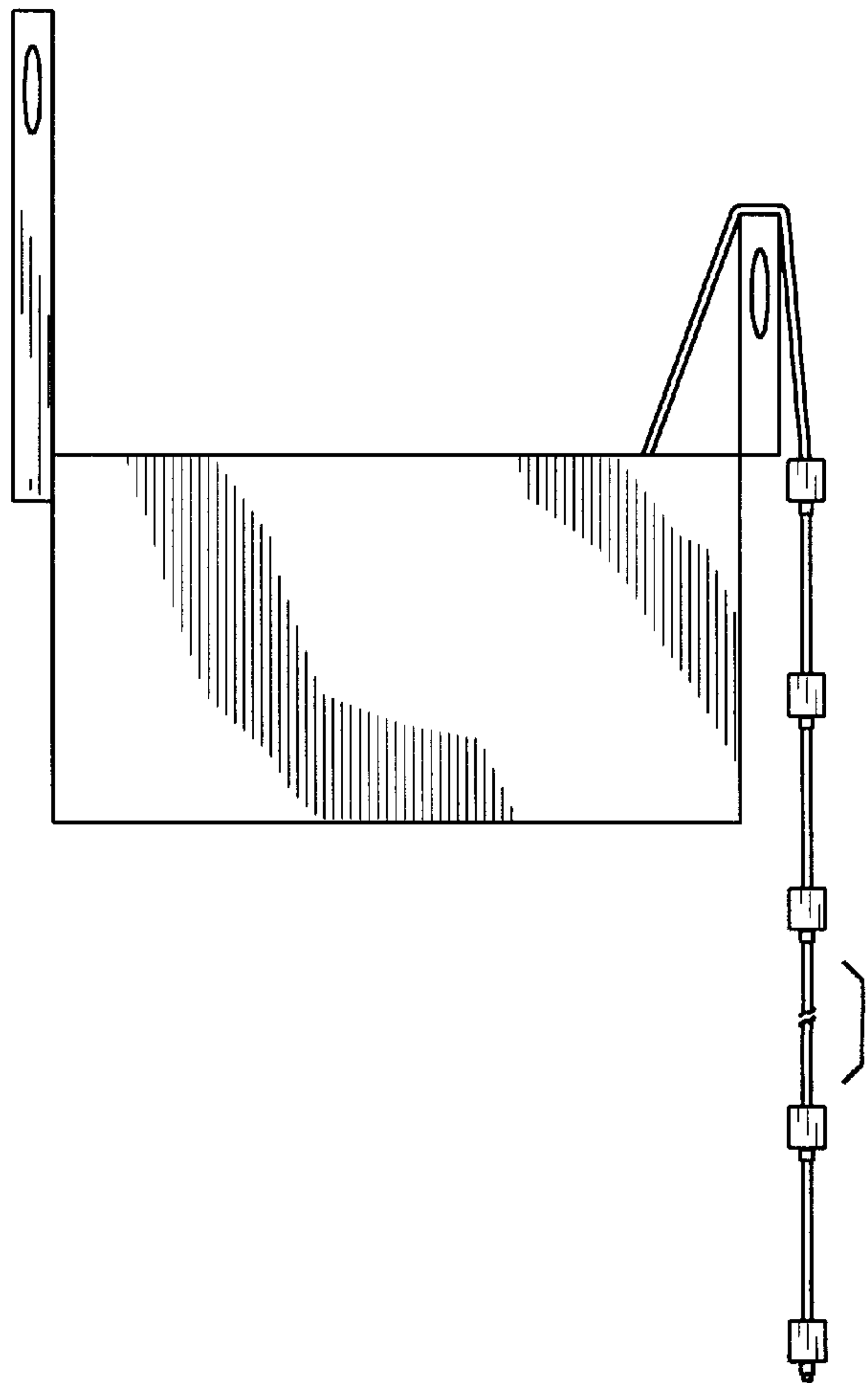


FIG. 5

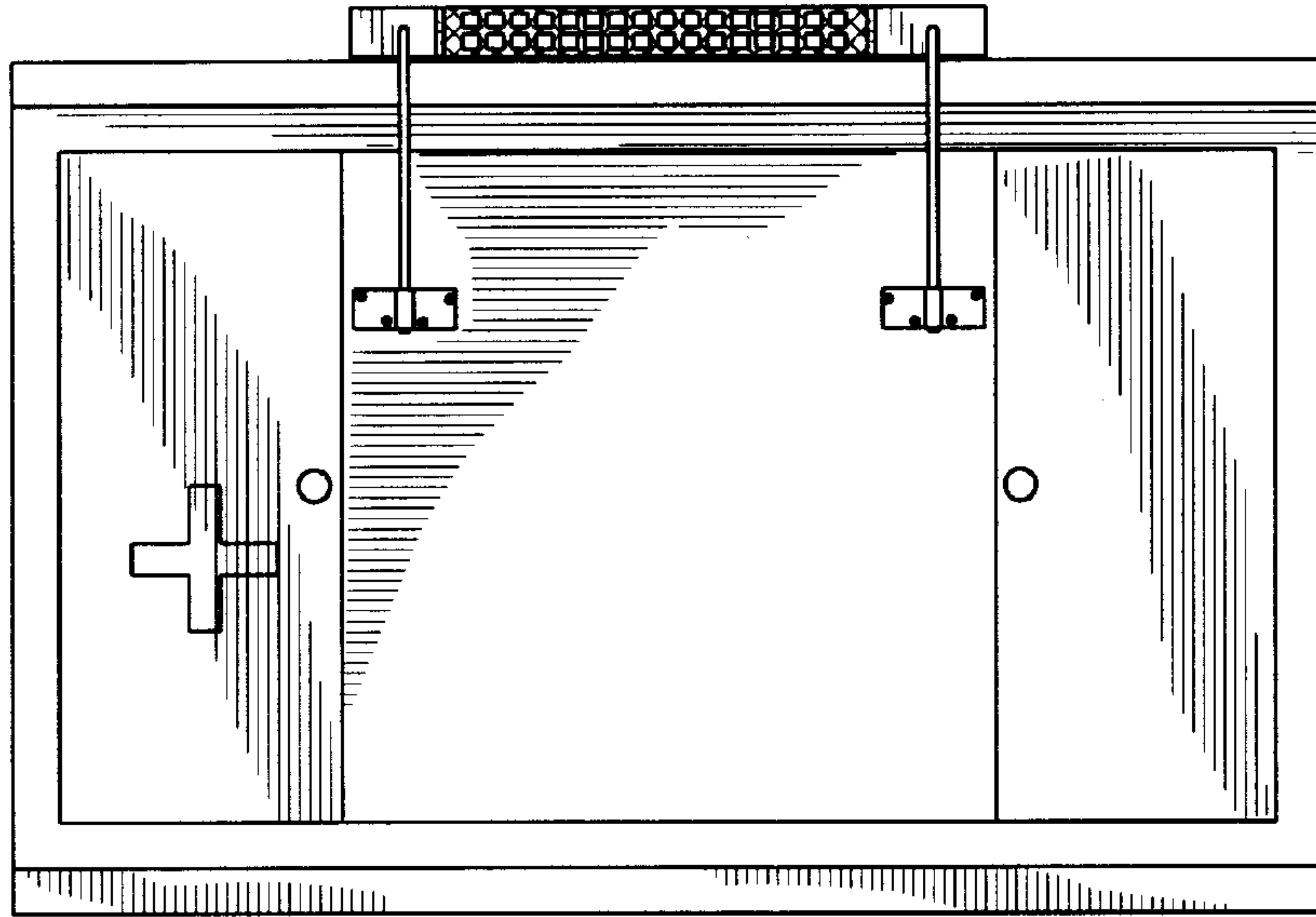


FIG. 6

