



US00D422714S

# United States Patent [19]

[11] **Patent Number: Des. 422,714**

**Hsu**

[45] **Date of Patent: \*\* Apr. 11, 2000**

[54] **SYRINGE CARRYING CASE**

*Primary Examiner*—Stella Reid  
*Attorney, Agent, or Firm*—Pro-Techtor International Services

[76] Inventor: **Junior Julian Hsu**, 3633 Palm Canyon, Northbrook, Ill. 60062

[\*\*] Term: **14 Years**

[57] **CLAIM**

The ornamental design for a syringe carrying case, as shown and described.

[21] Appl. No.: **29/088,989**

[22] Filed: **Jun. 4, 1998**

**DESCRIPTION**

[51] **LOC (6) Cl.** ..... **24-01**

[52] **U.S. Cl.** ..... **D24/229**

[58] **Field of Search** ..... D24/130, 229;  
206/364, 365, 366

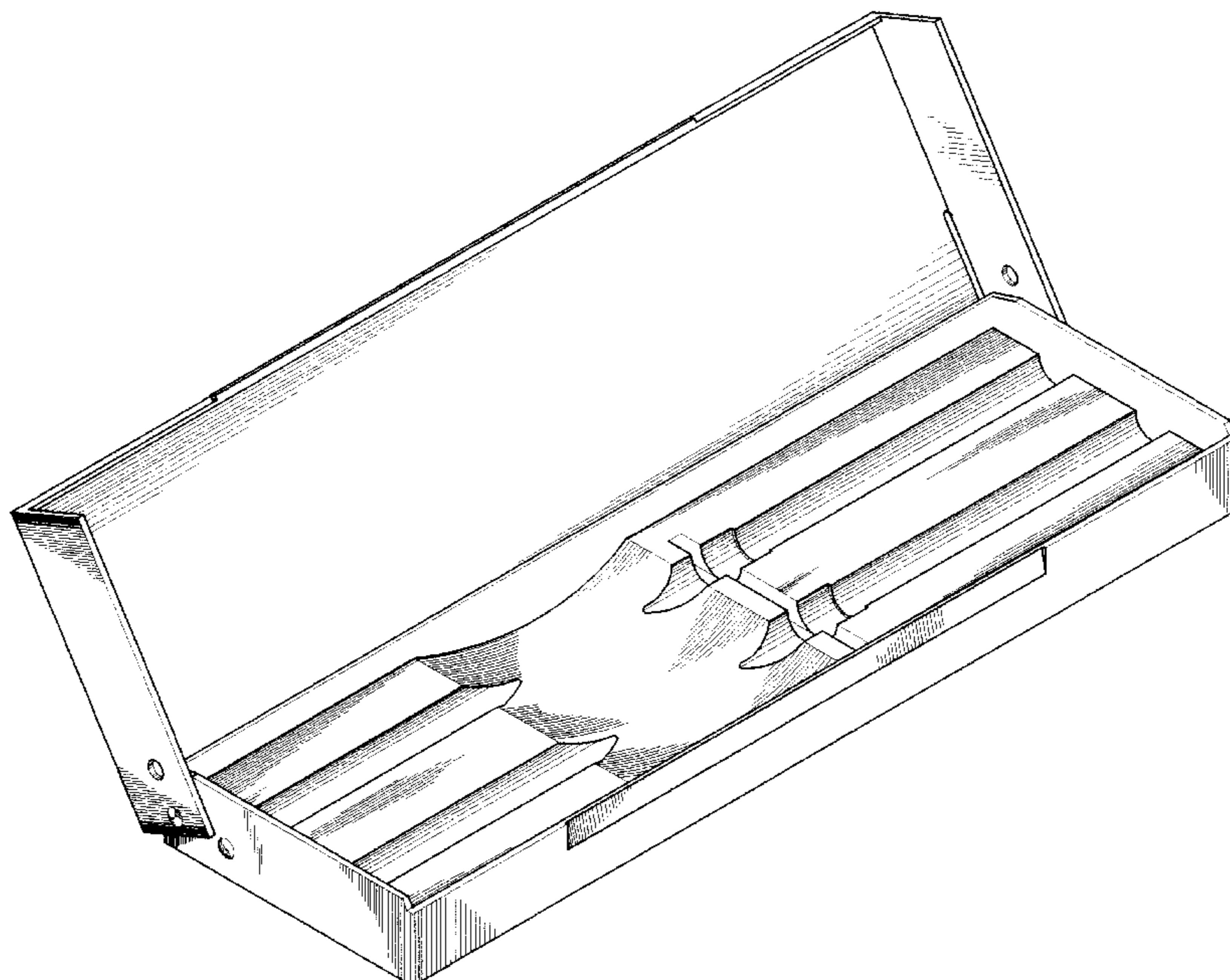
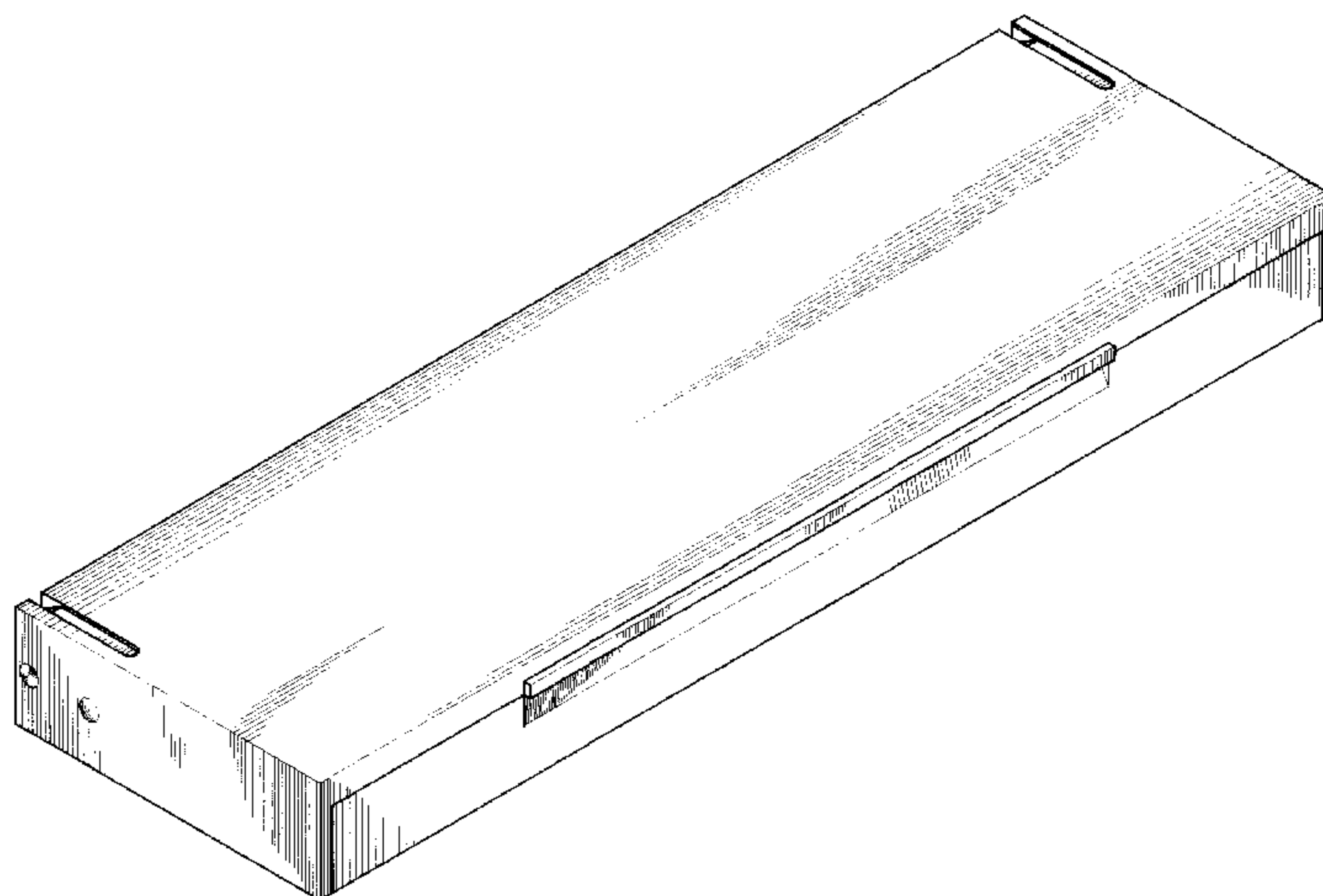
FIG. 1 is a perspective view of a syringe carrying case showing my design;  
FIG. 2 is a front elevation view thereof;  
FIG. 3 is a rear elevation view thereof;  
FIG. 4 is a left side elevation view thereof;  
FIG. 5 is a right side elevation view thereof;  
FIG. 6 is a top view thereof;  
FIG. 7 is a bottom view thereof; and,  
FIG. 8 is a perspective view show in the syringe carrying case with cover opened.

[56] **References Cited**

**U.S. PATENT DOCUMENTS**

|            |         |                |       |         |
|------------|---------|----------------|-------|---------|
| D. 194,418 | 1/1963  | Gaspar         | ..... | D24/229 |
| D. 365,633 | 12/1995 | Walker         | ..... | D24/130 |
| 4,524,868  | 6/1985  | Buckley et al. | ..... | 206/364 |
| 5,522,503  | 6/1996  | Halbich        | ..... | 206/366 |

**1 Claim, 5 Drawing Sheets**



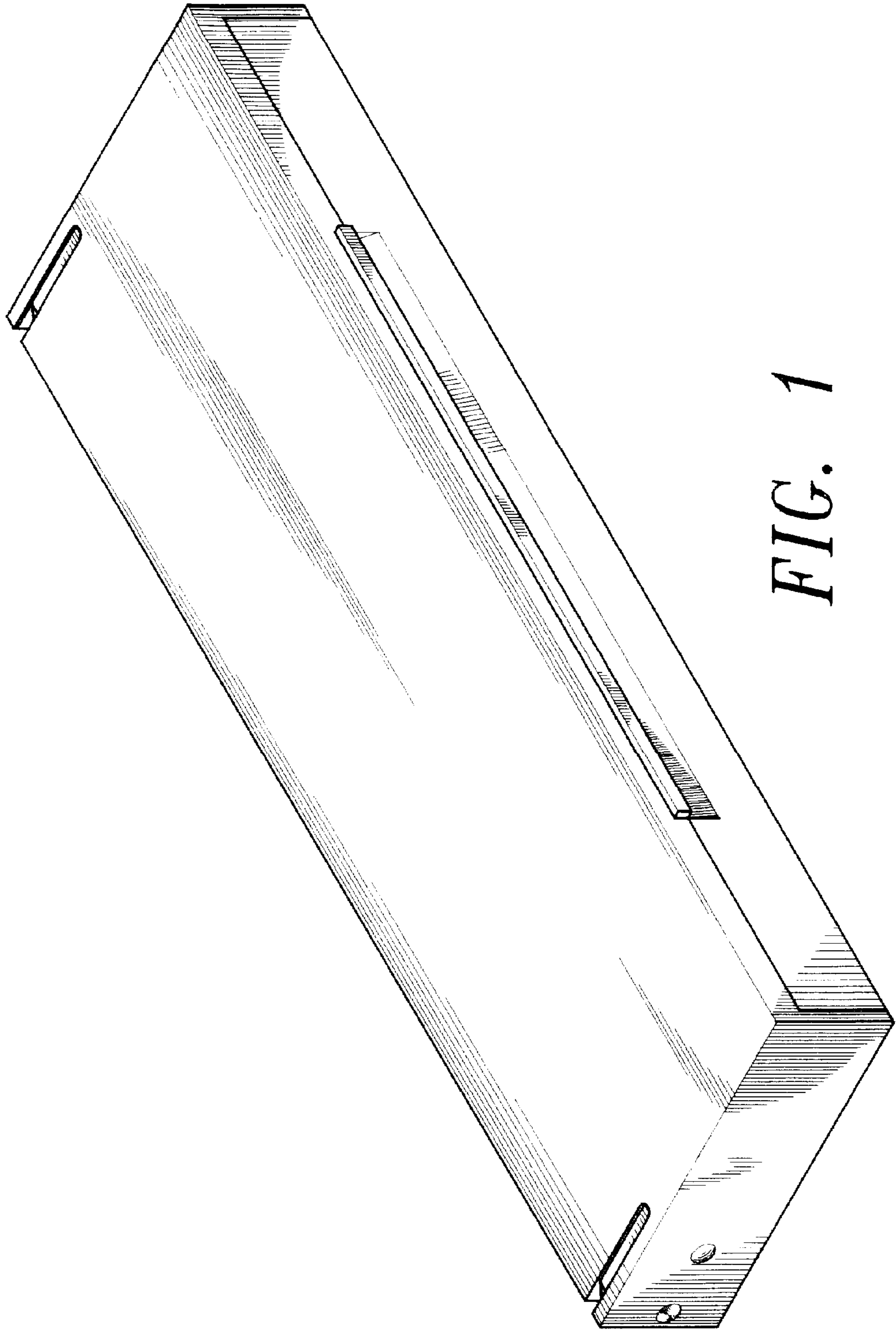
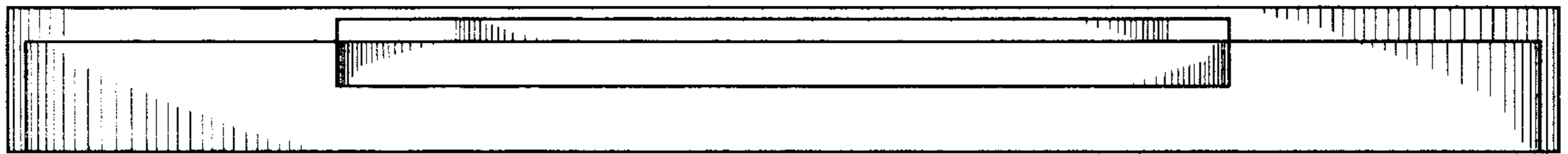
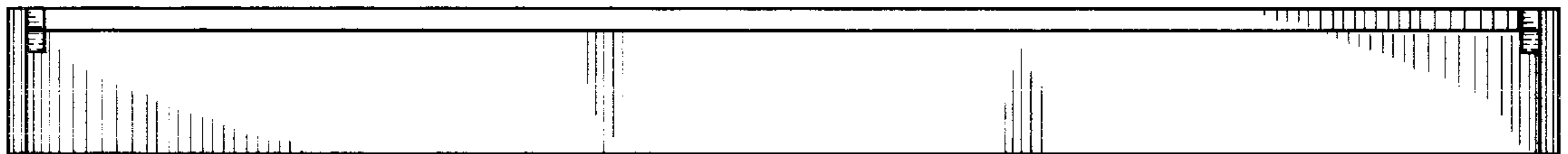


FIG. 1



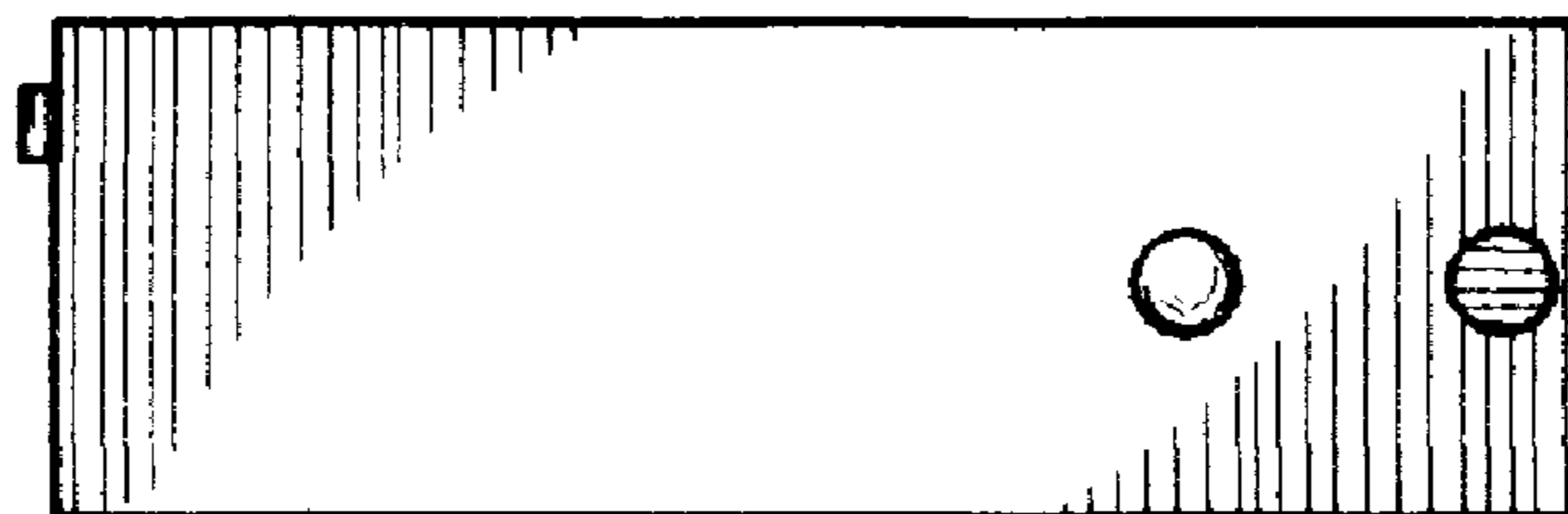
*FIG. 2*



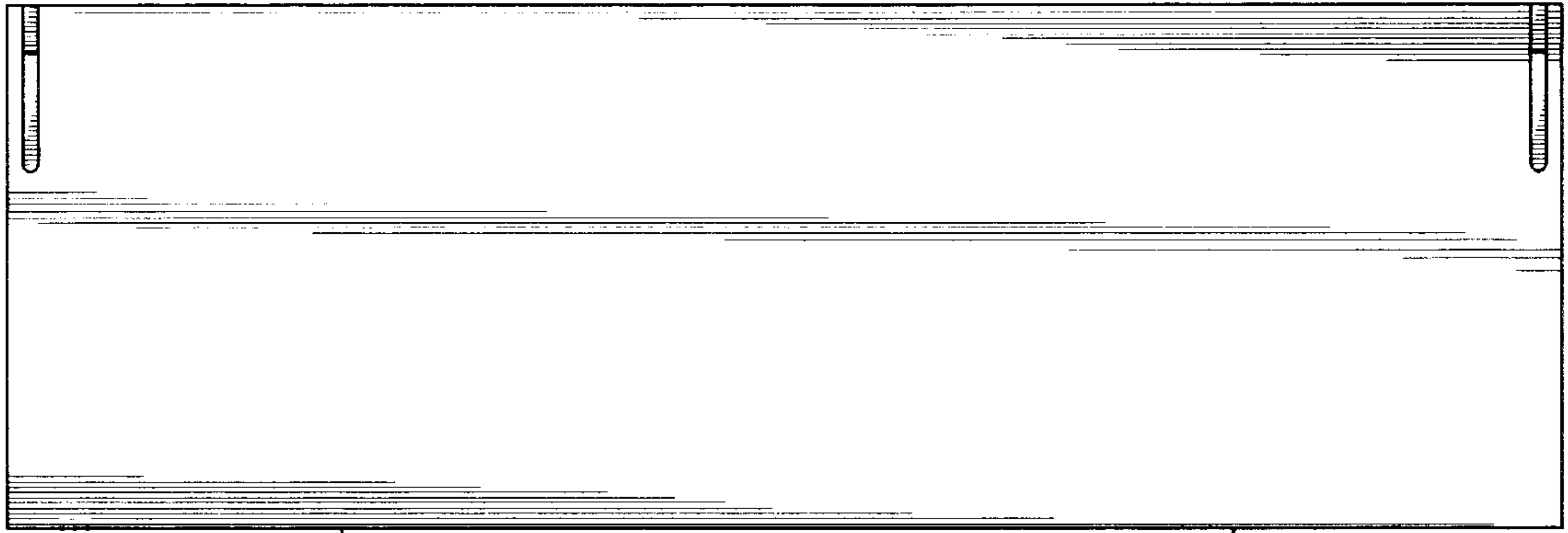
*FIG. 3*



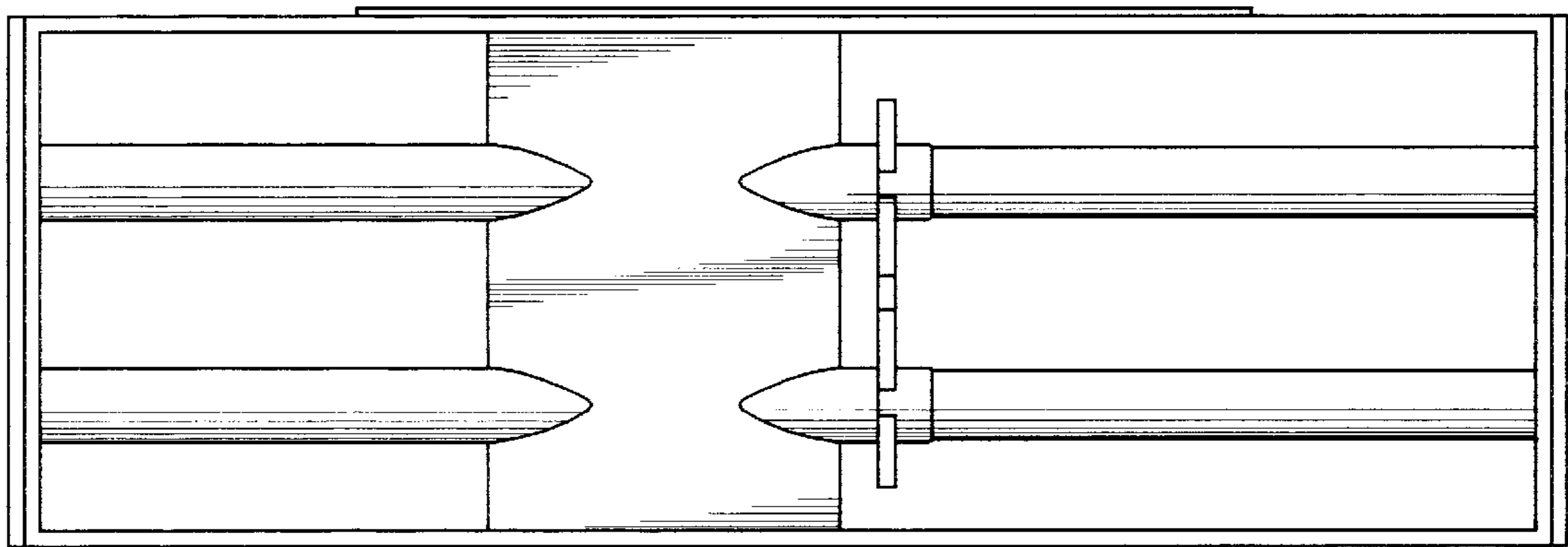
*FIG. 4*



*FIG. 5*



*FIG. 6*



*FIG. 7*

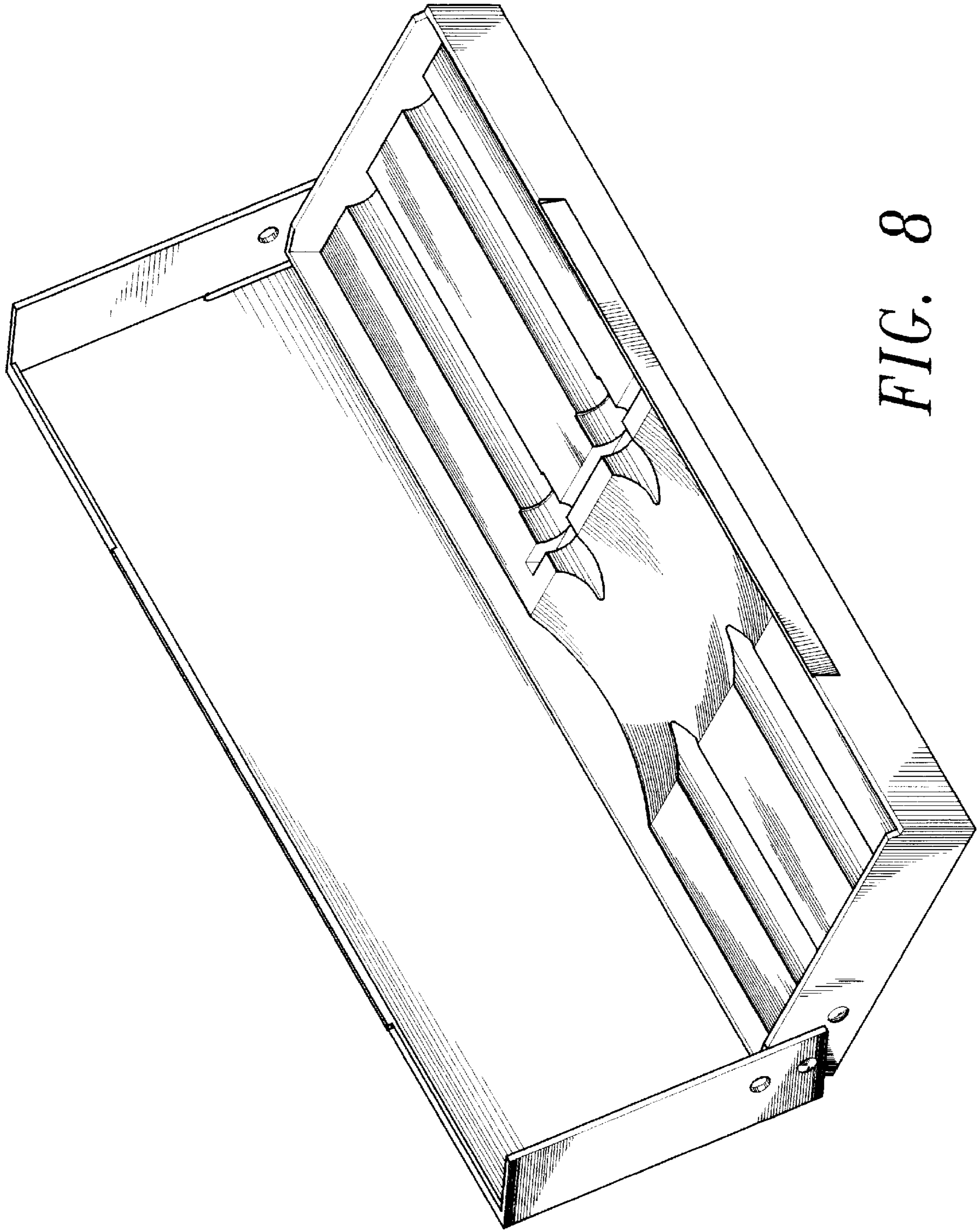


FIG. 8