



US00D422711S

# United States Patent [19] Park

[11] **Patent Number: Des. 422,711**

[45] **Date of Patent: \*\* Apr. 11, 2000**

[54] **MOXA STAND**

[76] Inventor: **Jae Woo Park**, Chong Ro Ku, Myong  
Ryun Dong 2 Ga 8-5, Seoul, Rep. of  
Korea

[\*\*] Term: **14 Years**

[21] Appl. No.: **29/092,653**

[22] Filed: **Aug. 24, 1998**

[30] **Foreign Application Priority Data**

Feb. 25, 1998 [RU] Russian Federation ..... 98500201

[51] **LOC (6) Cl.** ..... **24-02**

[52] **U.S. Cl.** ..... **D24/200**

[58] **Field of Search** ..... D24/200, 206;  
607/96, 111, 108, 109, 114; 604/24, 291

[56] **References Cited**

**U.S. PATENT DOCUMENTS**

D. 386,262	11/1997	Shimada	.....	D24/200
4,203,438	5/1980	Shiu	.....	607/96
4,604,088	8/1986	Nottbohm	.....	604/24
4,731,050	3/1988	Harada et al.	.....	607/96 X
5,549,960	8/1996	Yoo	.....	428/139
5,931,806	8/1999	Shimada	.....	604/24

*Primary Examiner*—Stella Reid

*Assistant Examiner*—I Simmons

*Attorney, Agent, or Firm*—Garrison & Associates PS;  
Matthew J. Marquardt; David L. Garrison

[57] **CLAIM**

The ornamental design for a moxa stand, as shown and described.

**DESCRIPTION**

FIG. 1 is a front perspective view of a moxa stand showing my new design, in extended configuration;

FIG. 2 is a front side elevational view thereof, with all other side elevational views being a mirror image thereto;

FIG. 3 is a top plan view thereof;

FIG. 4 is bottom plan view thereof;

FIG. 5 is a front perspective thereof, shown in inserted configuration;

FIG. 6 is a front side elevational view thereof, with all other side elevational views being a mirror image thereto;

FIG. 7 is a top plan view thereof;

FIG. 8 is bottom plan view thereof;

FIG. 9 is a cross-sectional view thereof, taken along the line 9—9 of FIG. 7;

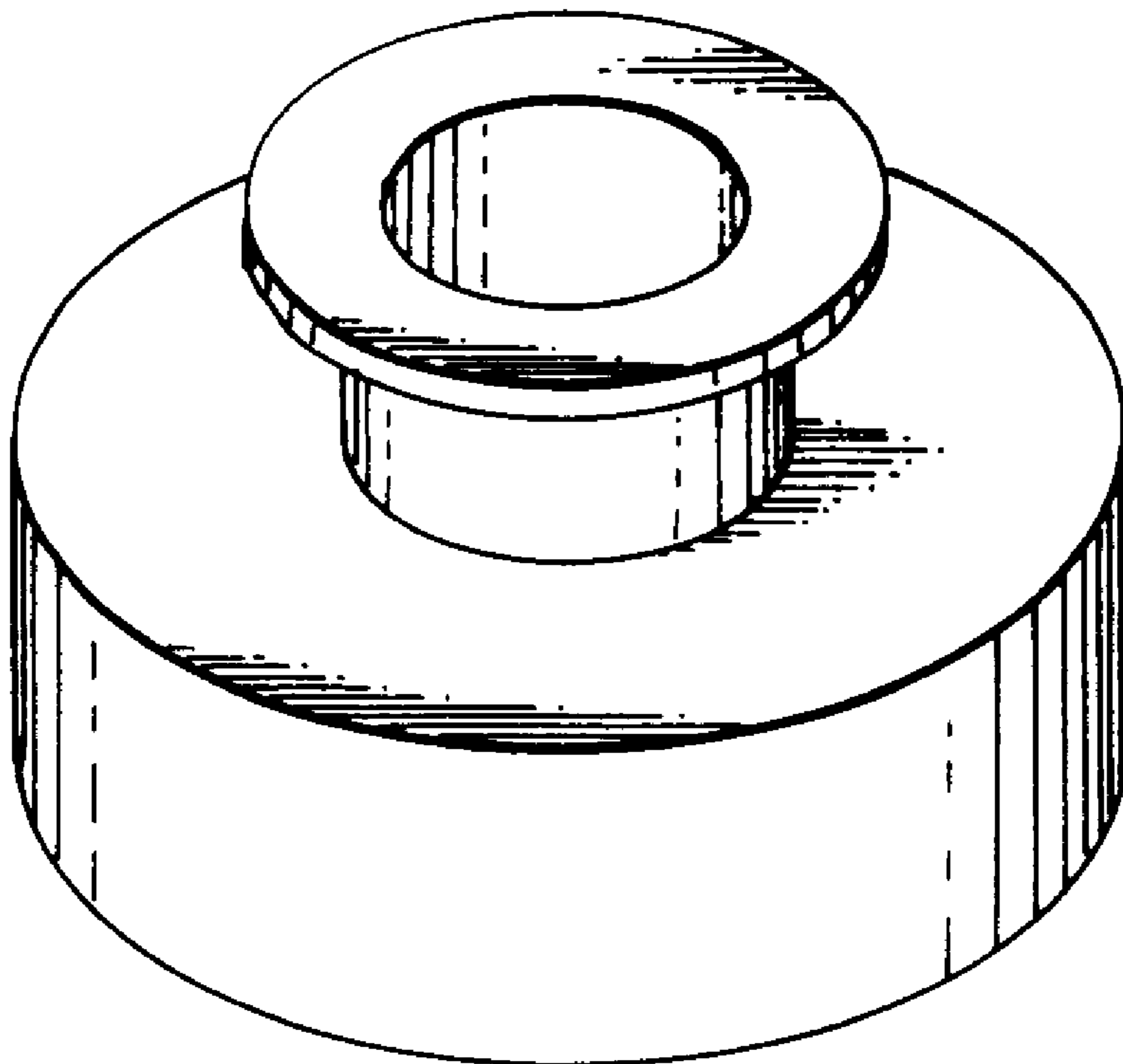
FIG. 10 is a cross-sectional view thereof, taken along the line 10—10 of FIG. 3;

FIG. 11 is an upper exploded perspective view thereof;

FIG. 12 is a lower exploded perspective view thereof; and,

FIG. 13 is a front perspective view thereof, shown in inserted configuration. The broken line showing of the moxa wick is for illustrative purposes only and forms no part of the claimed design.

**1 Claim, 3 Drawing Sheets**



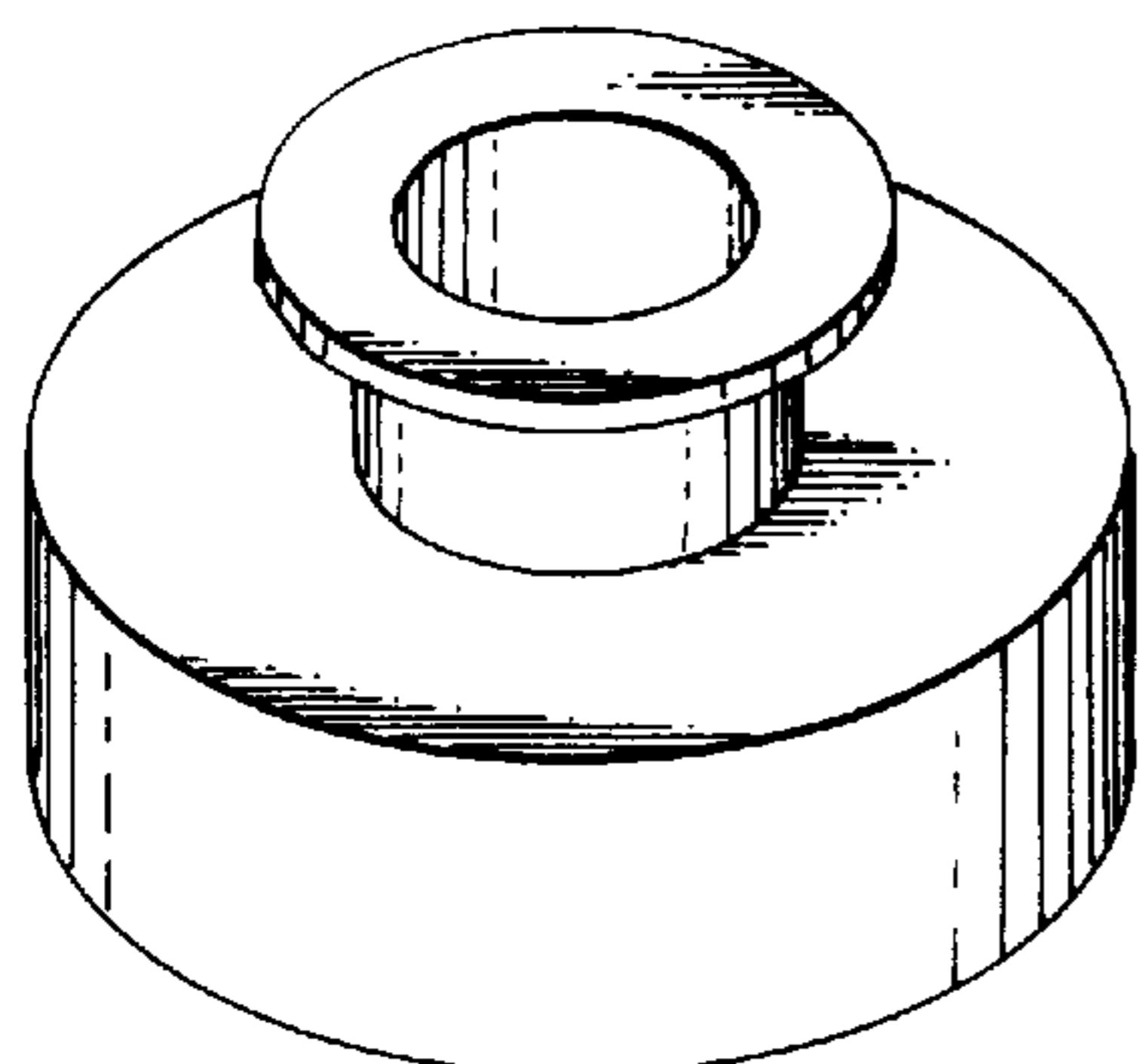


FIG. 1

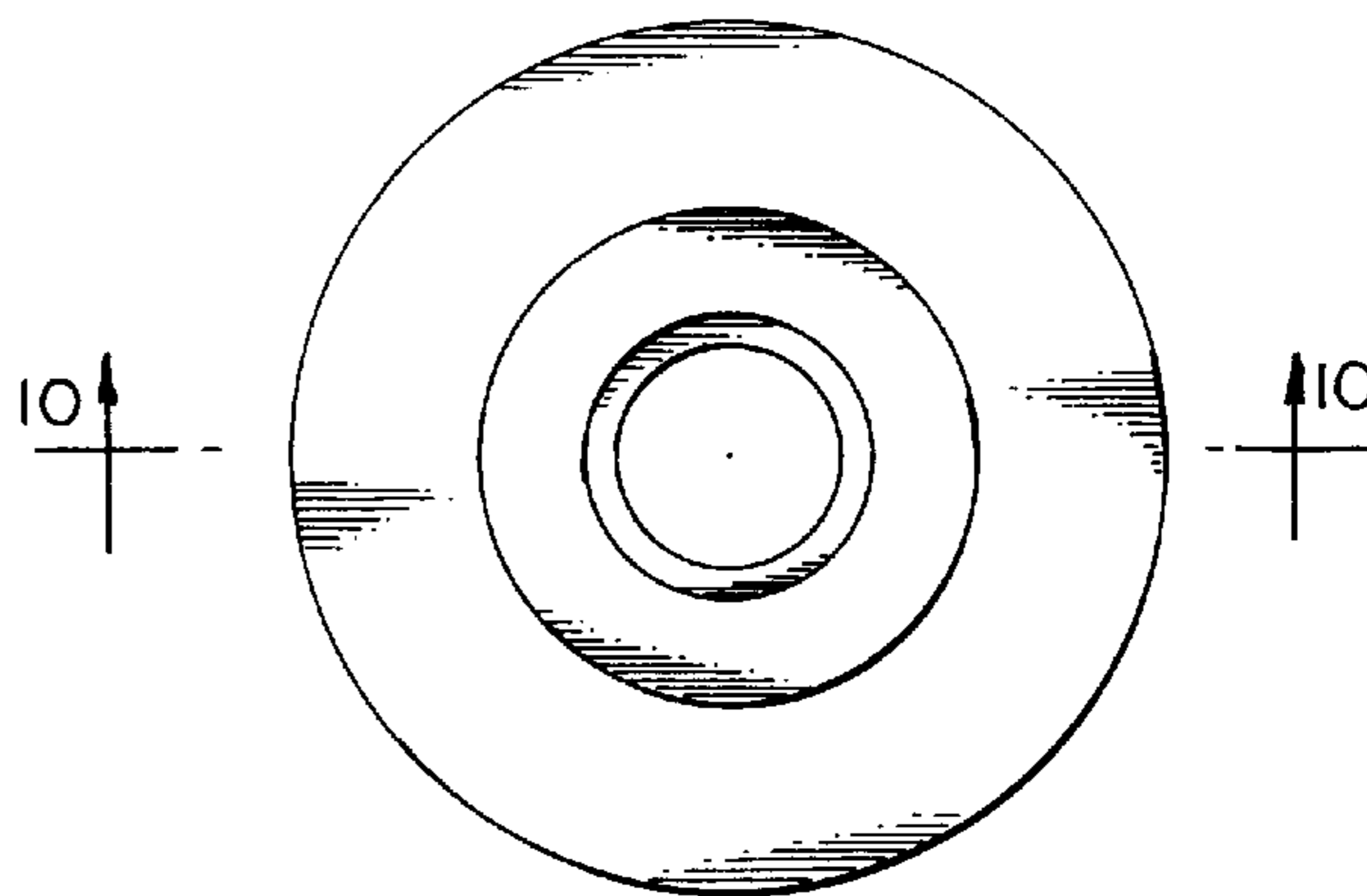


FIG. 3

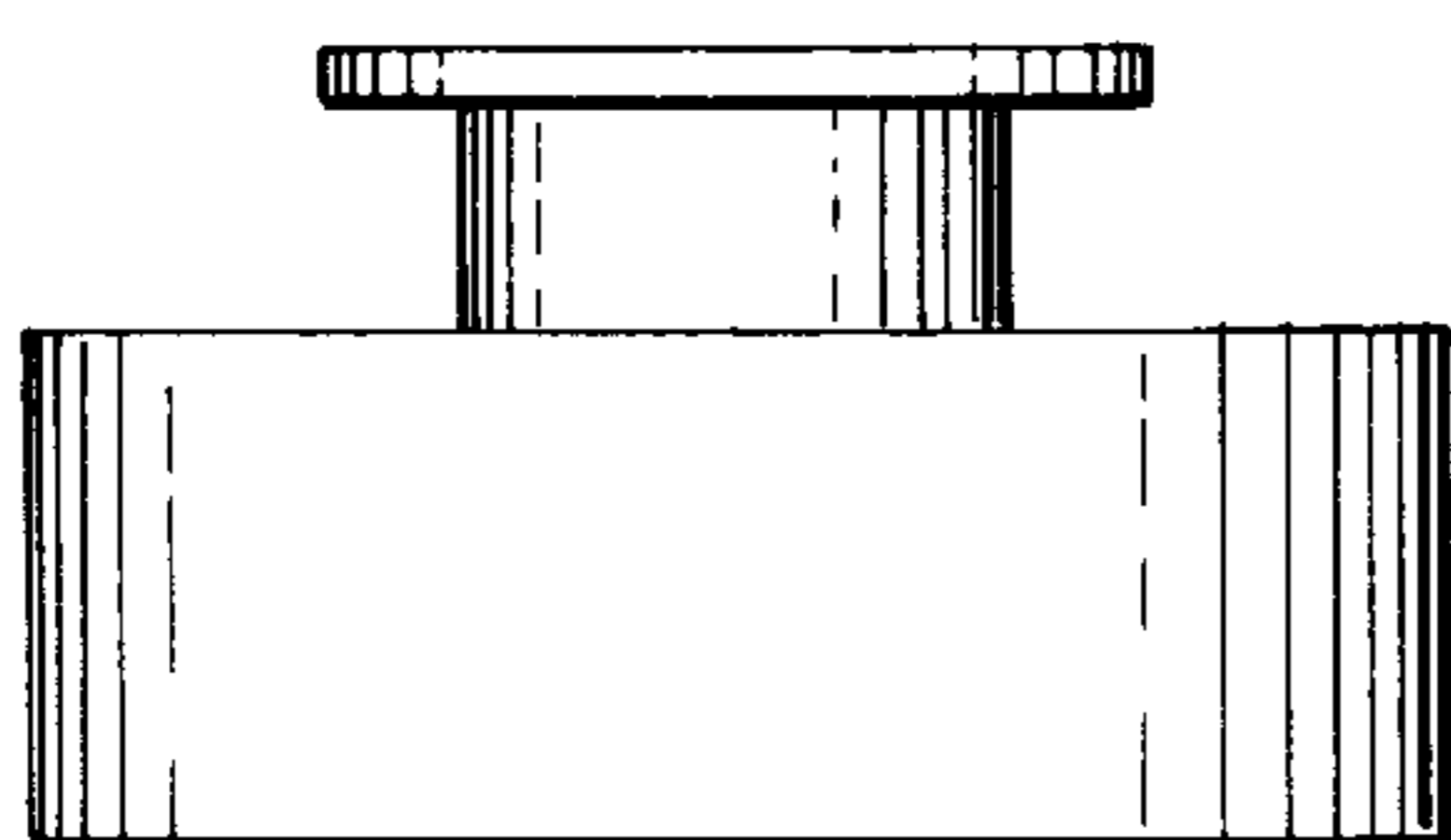


FIG. 2

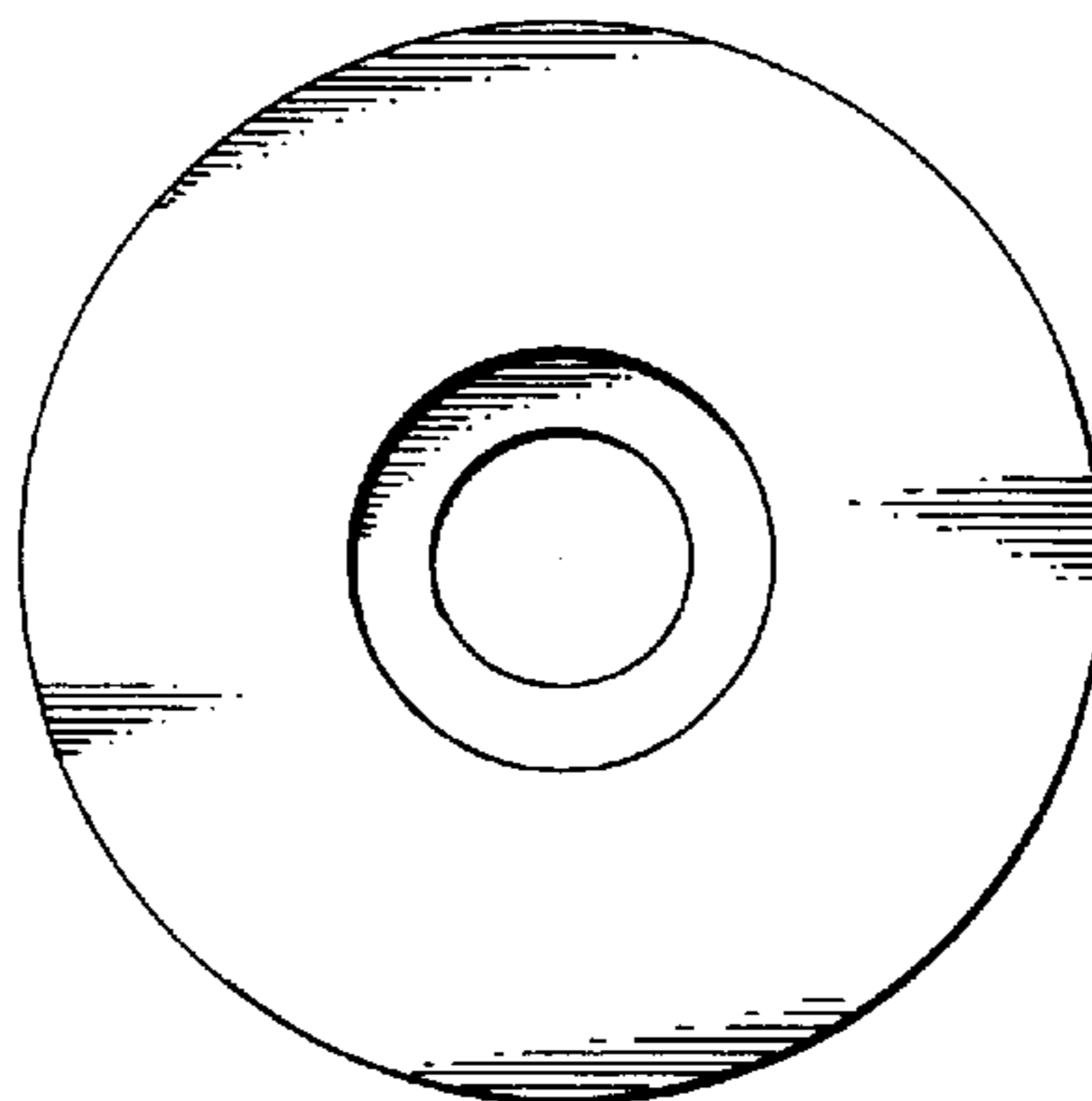


FIG. 4

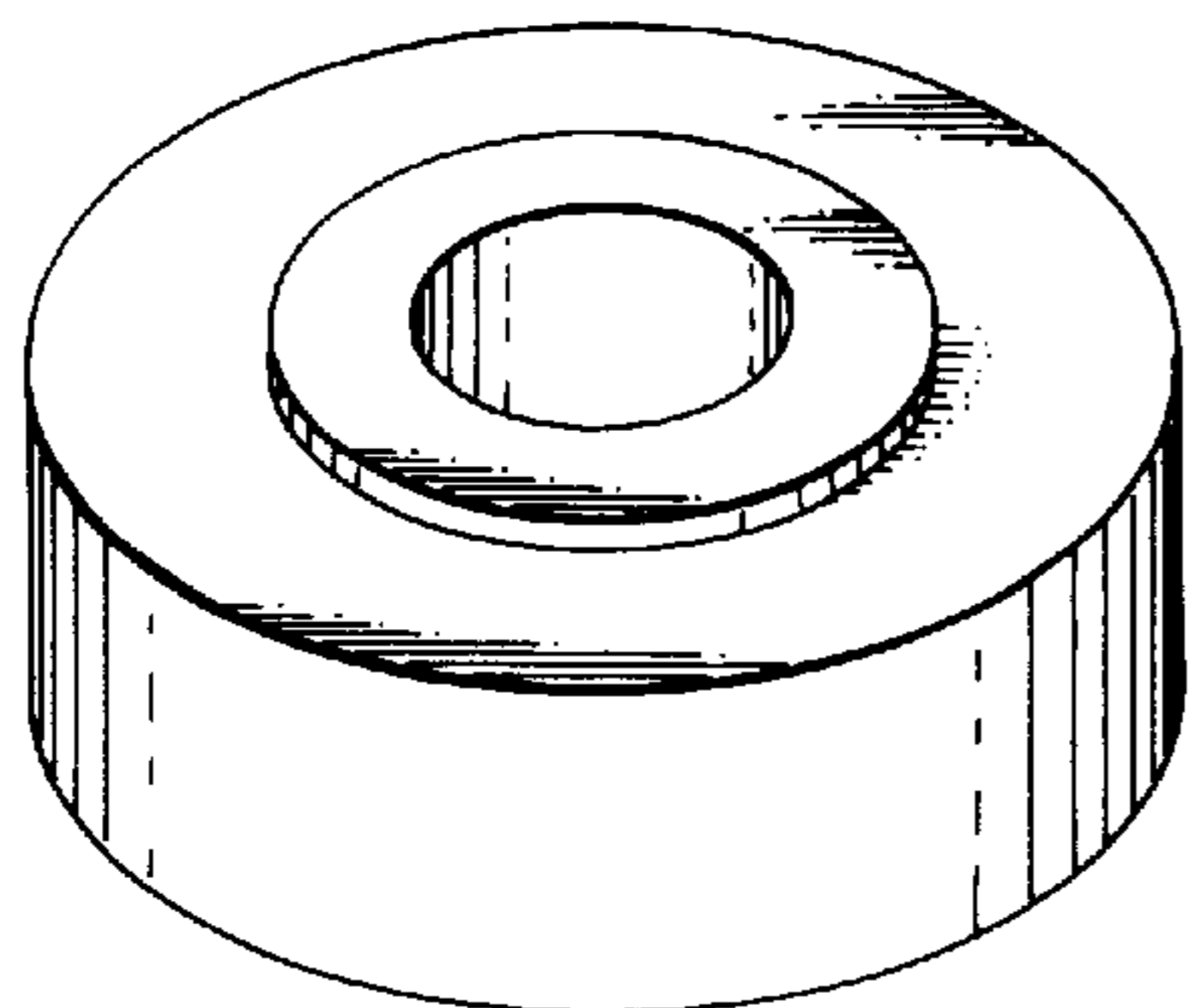


FIG. 5

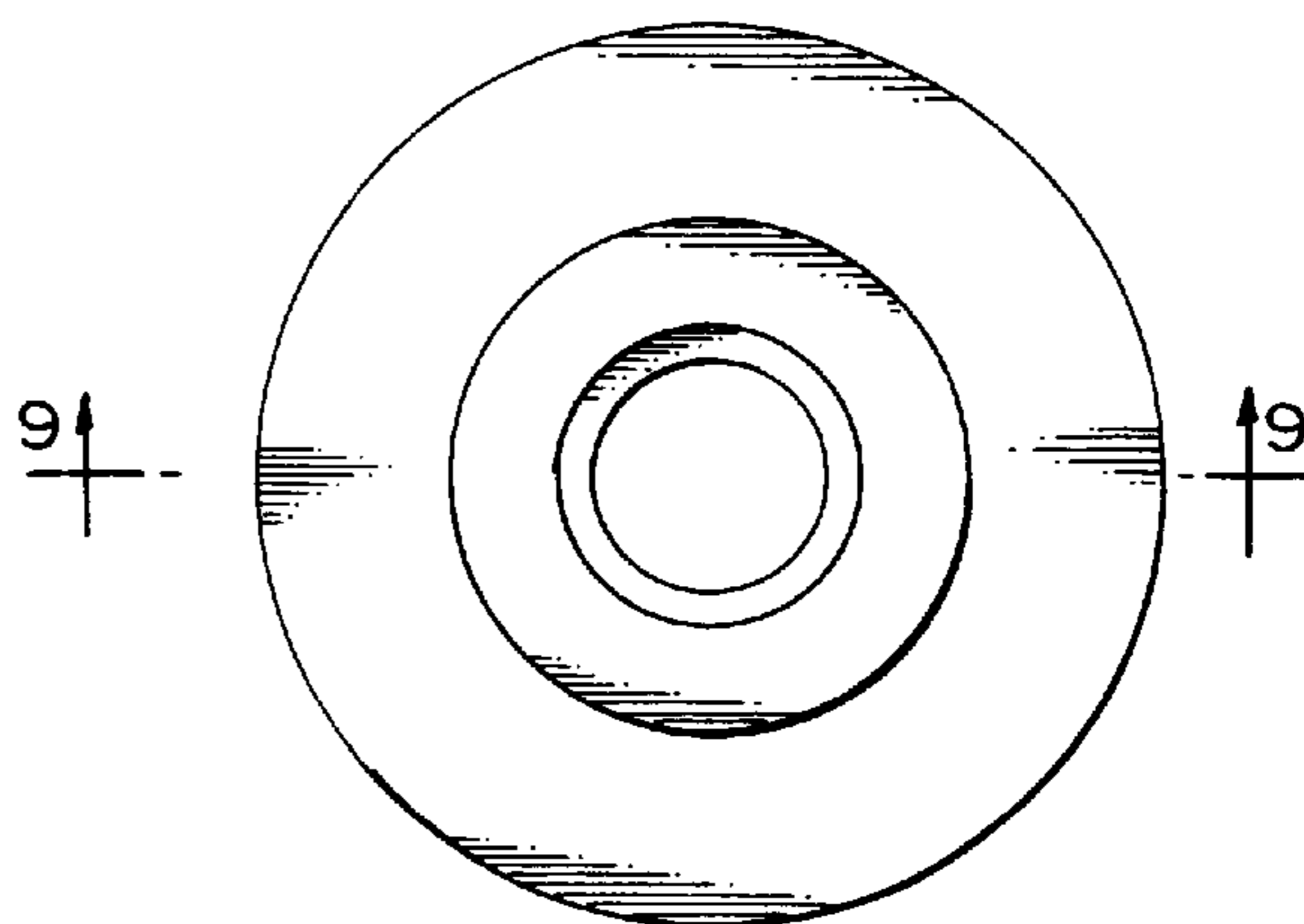


FIG. 7

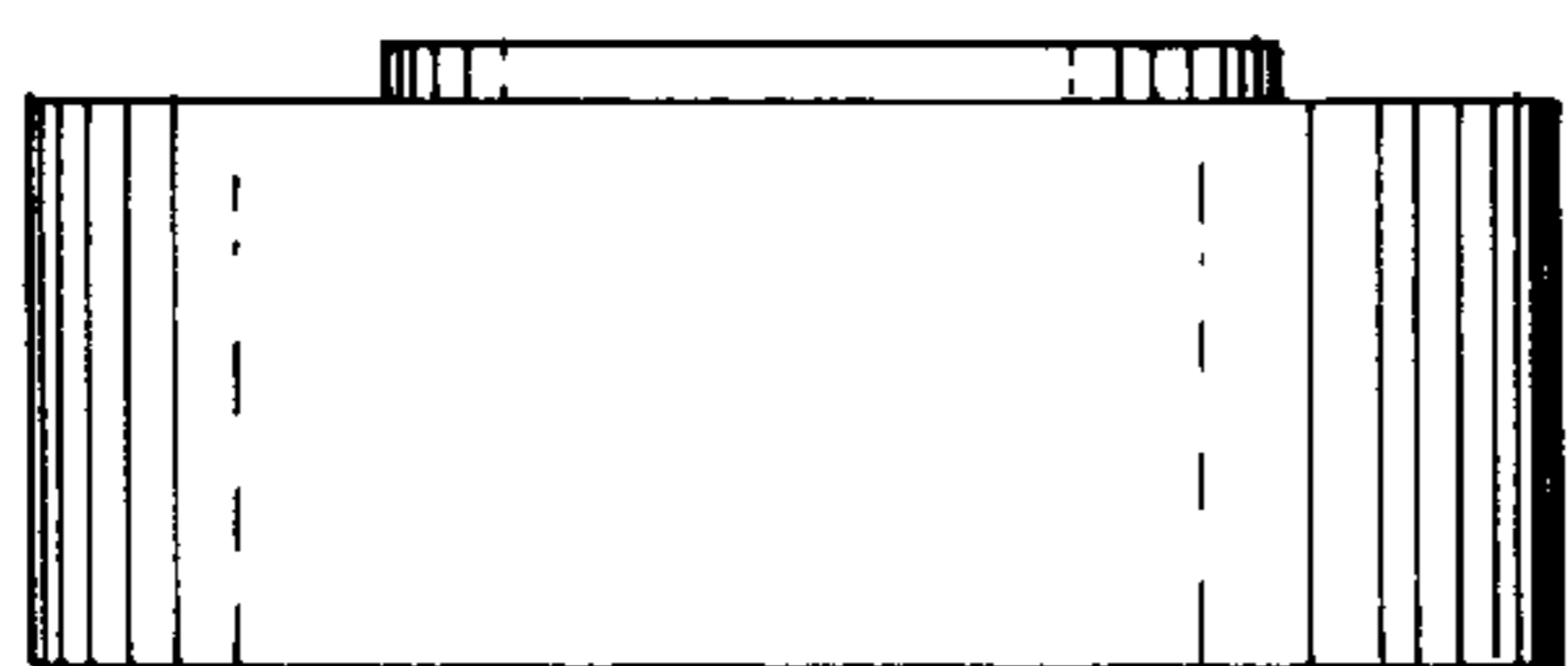


FIG. 6

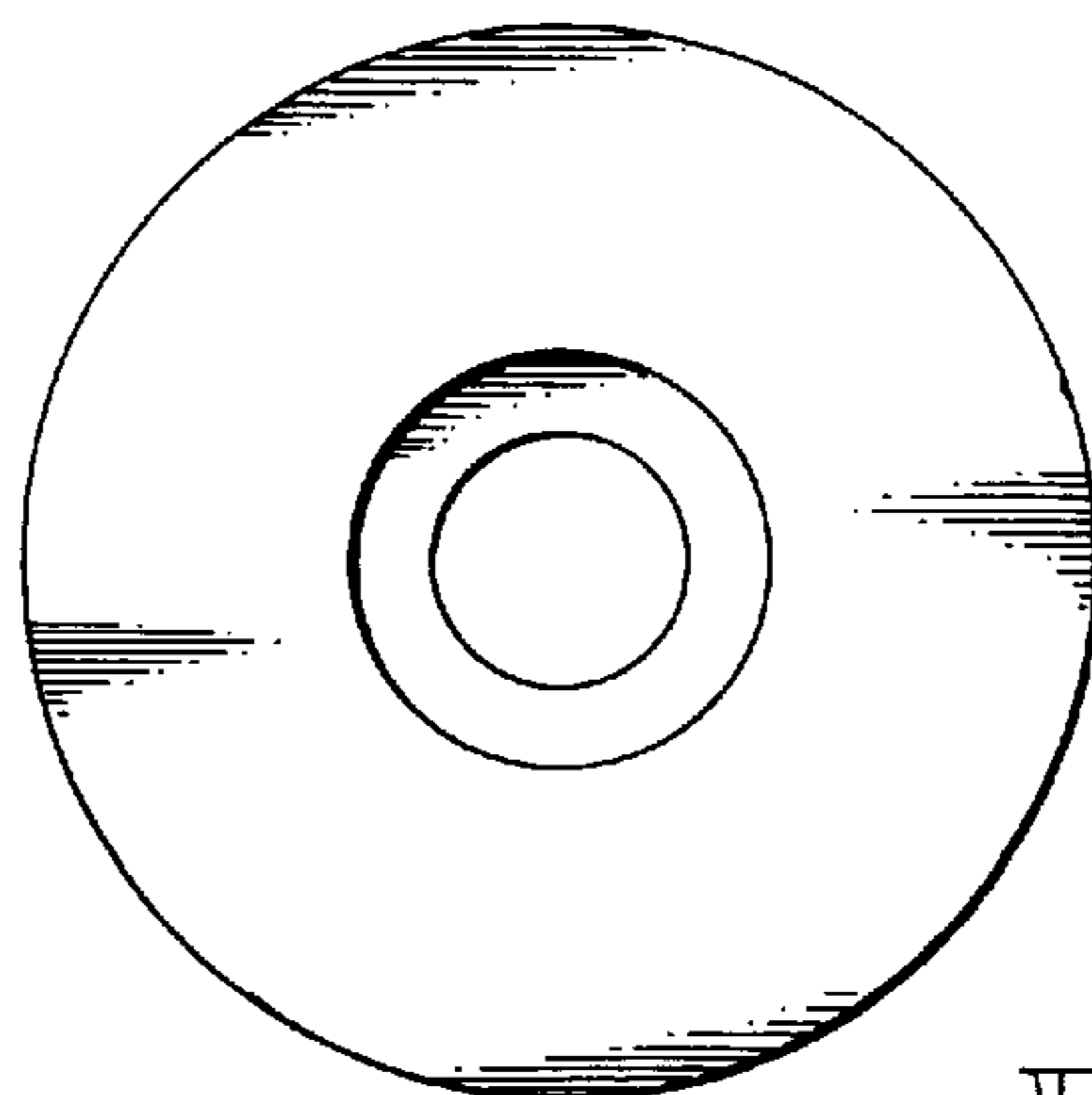


FIG. 8

FIG.9

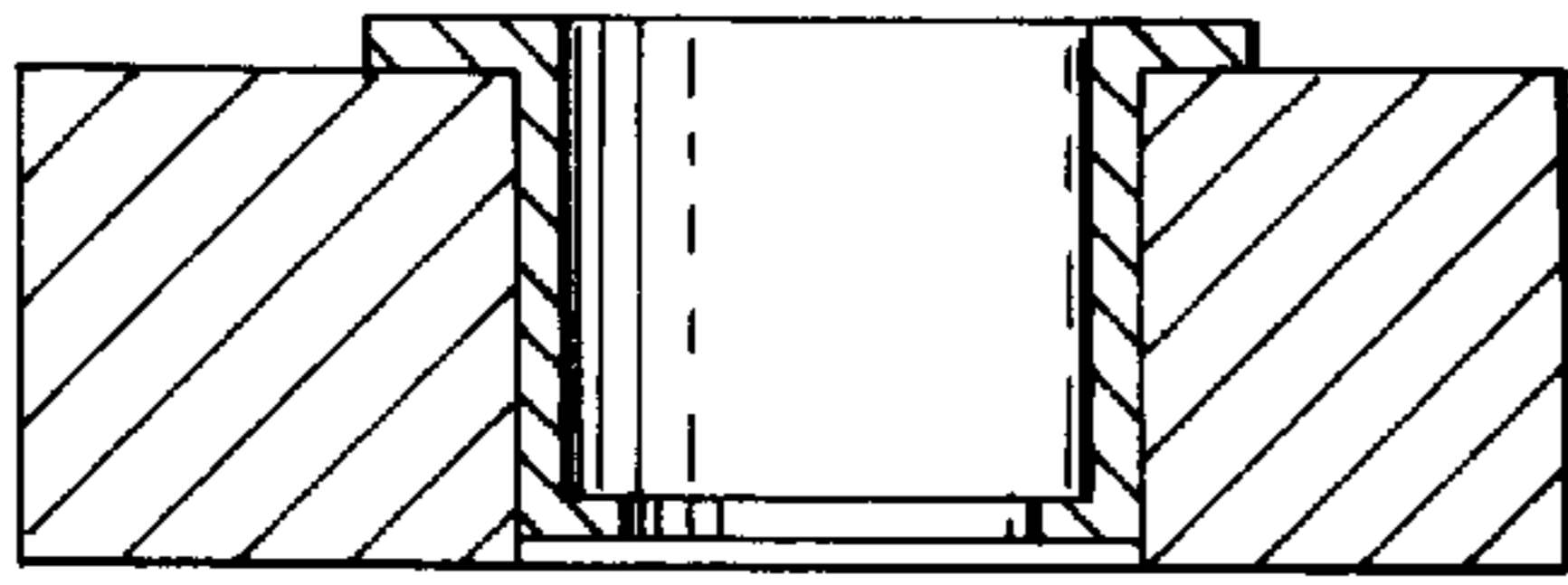


FIG.10

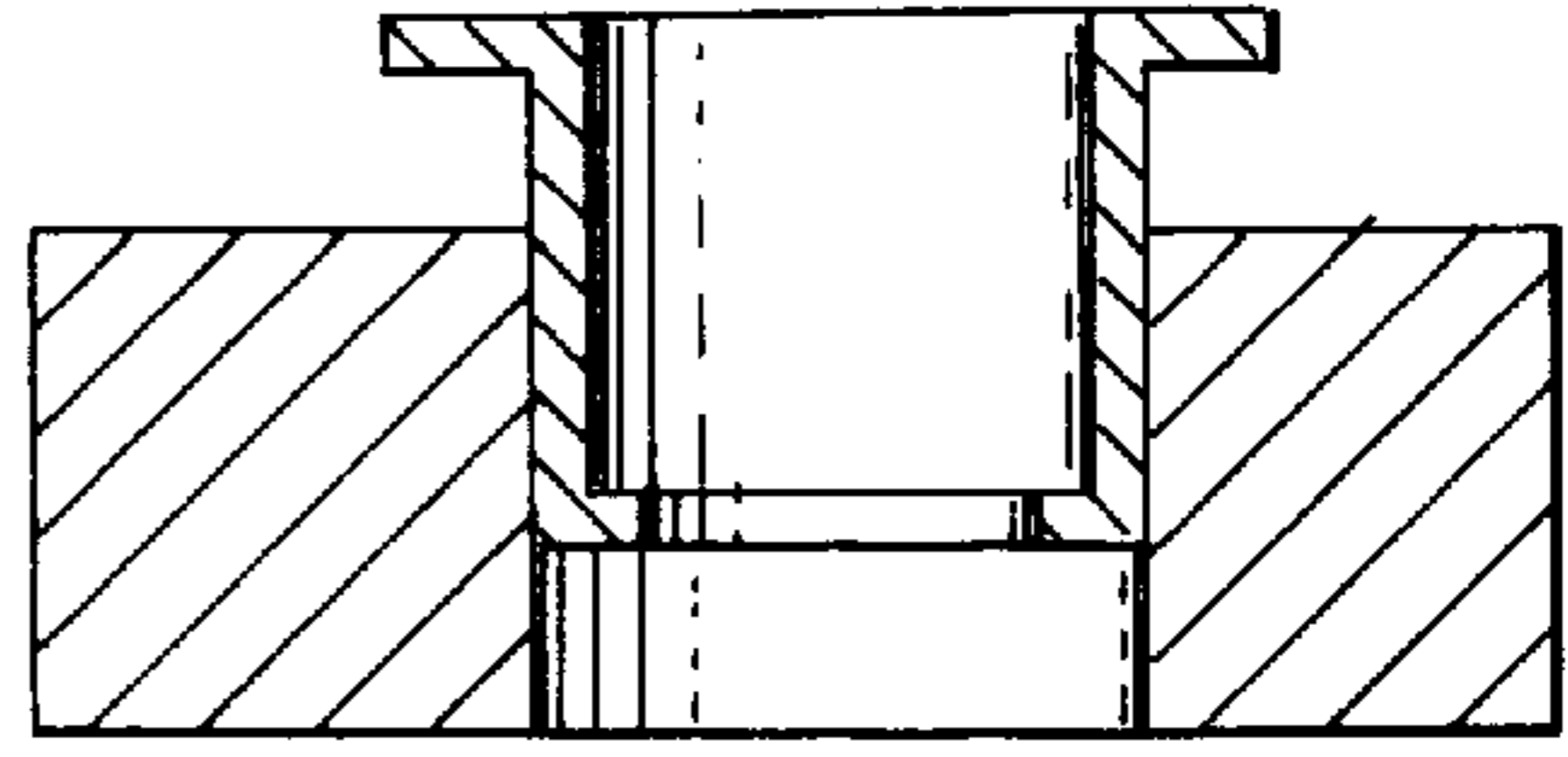


FIG.11

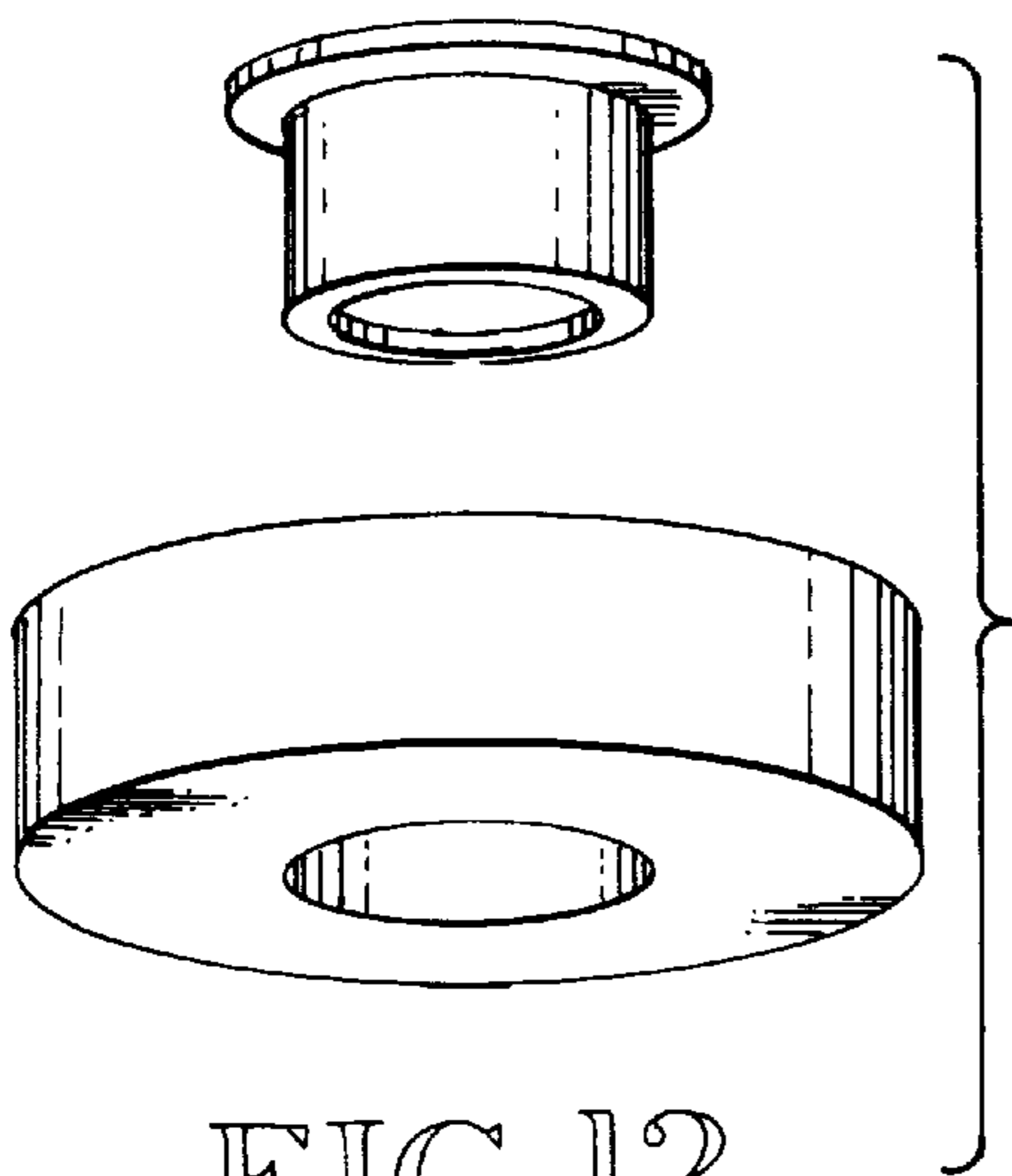
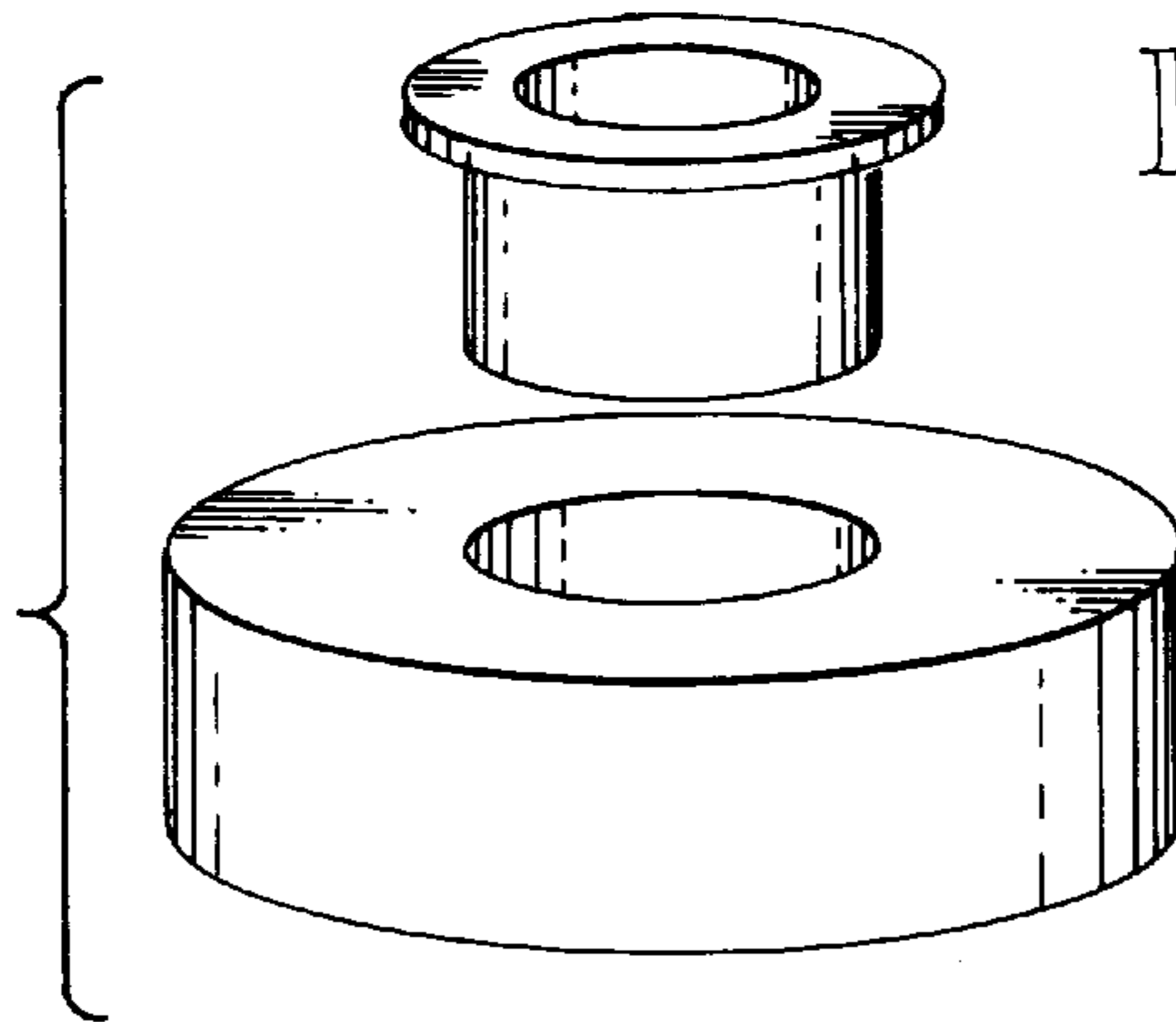


FIG.12

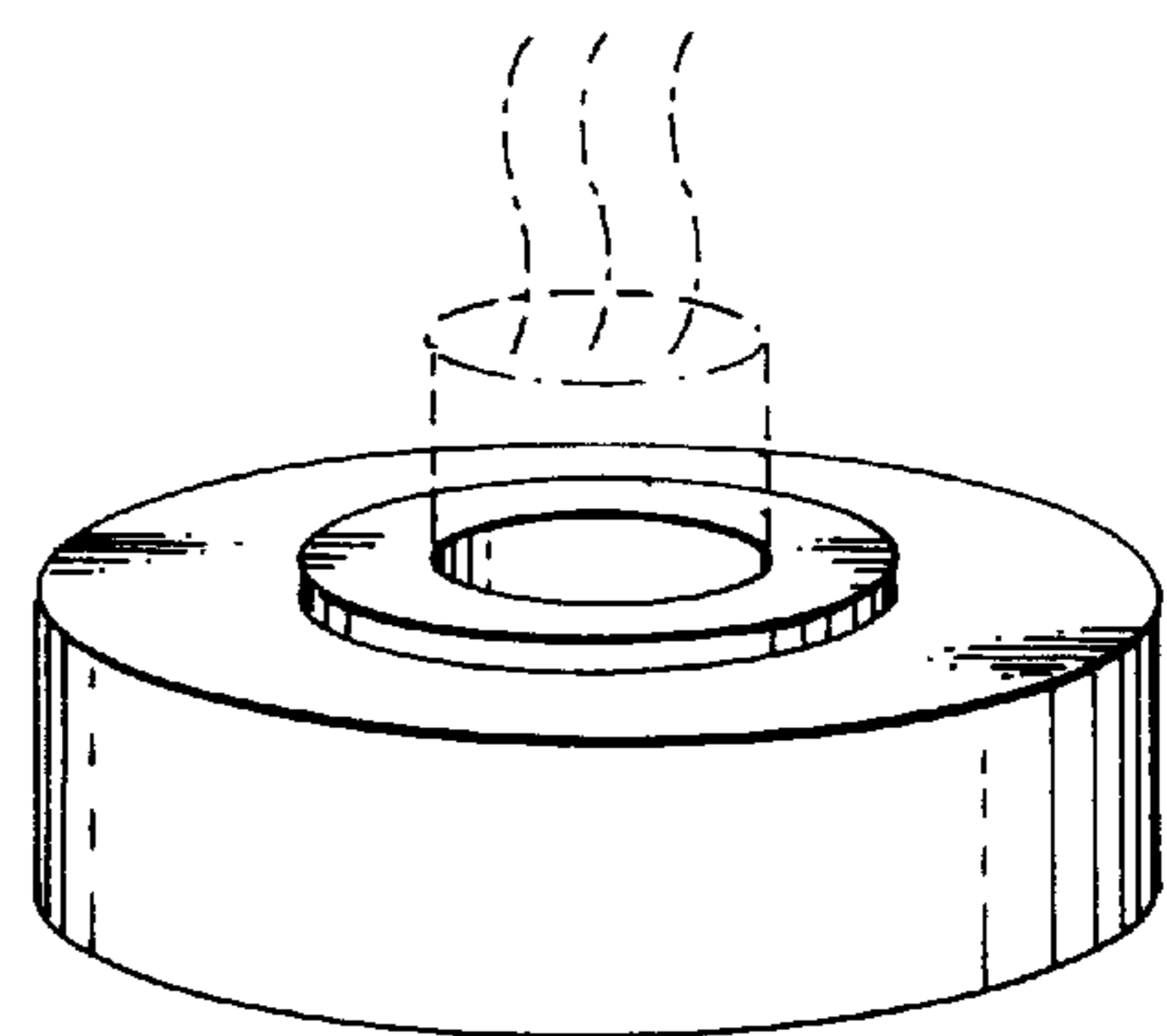


FIG.13