



US00D422706S

United States Patent [19]

[11] **Patent Number: Des. 422,706**

Bucholz et al.

[45] **Date of Patent: ** Apr. 11, 2000**

[54] **BIOPSY GUIDE TUBE**

[75] Inventors: **Richard D. Bucholz**, St. Louis, Mo.;
Kevin T. Foley, Memphis, Tenn.; **Kurt R. Smith**, Broomfield, Colo.; **Todd Pope**, San Francisco; **Udo Wiedenmaier**, San Mateo, both of Calif.

[73] Assignee: **Surgical Navigation Technologies**, Broomfield, Colo.

[**] Term: **14 Years**

[21] Appl. No.: **29/070,111**

[22] Filed: **Apr. 30, 1997**

Related U.S. Application Data

[62] Division of application No. 29/053,746, Apr. 29, 1996, abandoned.

[51] **LOC (6) Cl.** **24-02**

[52] **U.S. Cl.** **D24/140**

[58] **Field of Search** D24/140, 130; 606/79, 96, 88, 102, 87, 86, 103

[56] References Cited

U.S. PATENT DOCUMENTS

- D. 233,265 10/1974 Walchle D24/2
- D. 291,246 8/1987 Lower D24/26
- D. 349,573 8/1994 Bookwalter et al. D24/128
- D. 353,668 12/1994 Banks et al. D24/112
- D. 357,534 4/1995 Hayes D24/140
- D. 359,557 6/1995 Hayes D24/140
- 3,963,028 6/1976 Cooley et al. 128/276
- 4,182,312 1/1980 Mushabac 433/68
- 4,465,069 8/1984 Barbier et al. 128/303 B
- 4,583,538 4/1986 Onik et al. 128/303 B
- 4,723,544 2/1988 Moore et al. 128/303 B
- 4,733,661 3/1988 Palestrant 128/303 B
- 4,733,662 3/1988 DeSatnick et al. 128/305
- 4,733,969 3/1988 Case et al. 356/375
- 4,809,694 3/1989 Ferrara 128/303 B

- 4,841,967 6/1989 Chang et al. 128/303 B
- 4,875,478 10/1989 Chen 128/303 B
- 4,931,056 6/1990 Ghajar et al. 606/130
- 5,078,140 1/1992 Kwoh 128/653.1
- 5,154,723 10/1992 Kubota et al. 606/130
- 5,198,877 3/1993 Schulz .
- 5,251,127 10/1993 Raab 364/413.13
- 5,305,203 4/1994 Raab 364/413.13
- 5,309,913 5/1994 Kormos et al. 128/653.1
- 5,383,454 1/1995 Bucholz 128/653.1
- 5,517,990 5/1996 Kalfas et al. 128/653.1
- 5,569,207 10/1996 Gisselberg et al. 604/175

FOREIGN PATENT DOCUMENTS

PCT/US95/12894 4/1996 WIPO .

OTHER PUBLICATIONS

Reinhardt, H. et al., "Sonic Stereometry in Microsurgical Procedures for Deep-Seated Brain Tumors and Vascular Malformations," *Neurosurgery*, vol. 32, No. 1, Jan., 1993.

Primary Examiner—Stella Reid
Assistant Examiner—I Simmons
Attorney, Agent, or Firm—Finnegan, Henderson, Farabow, Garrett & Dunner

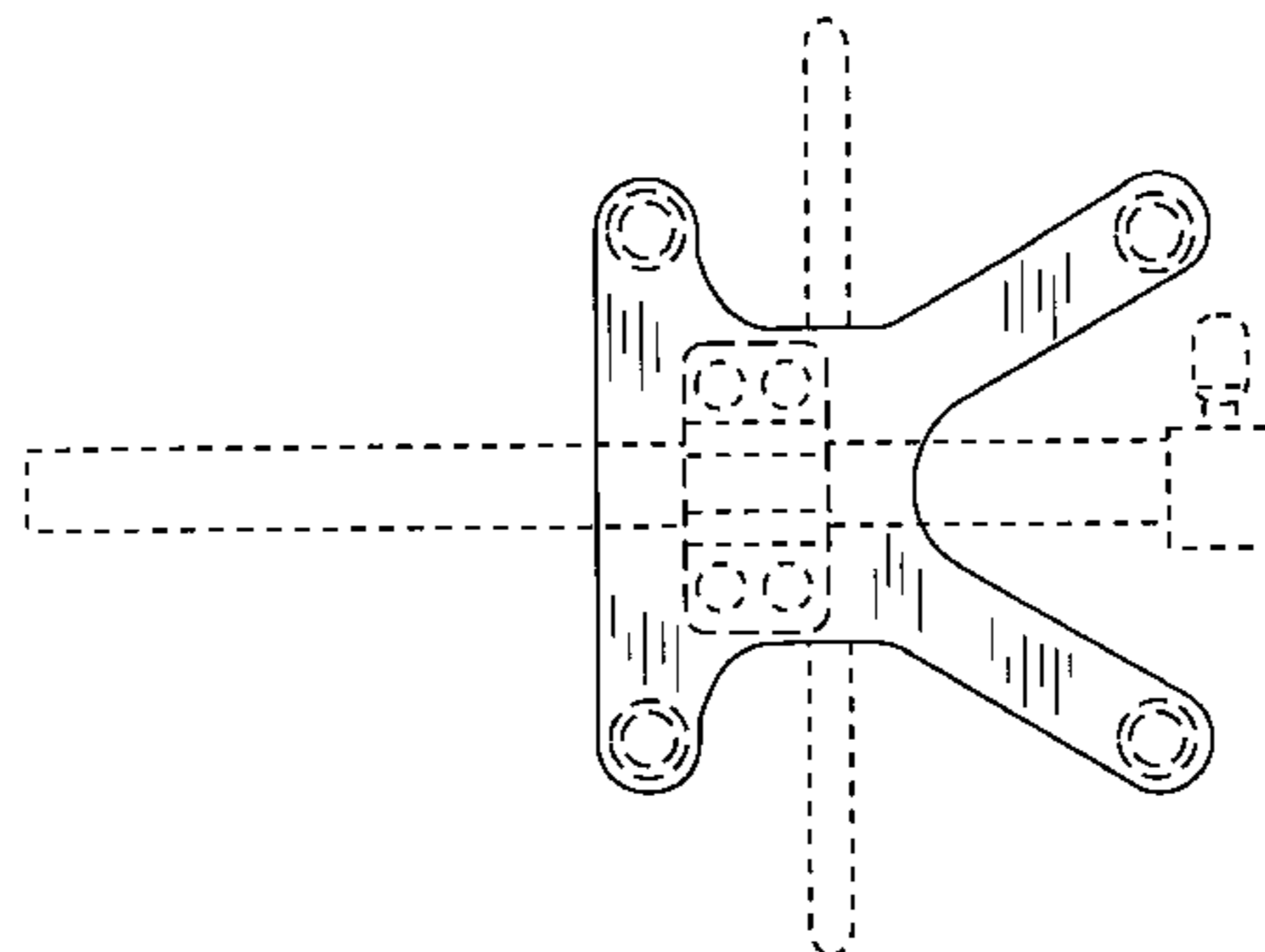
[57] CLAIM

The ornamental design for a biopsy guide tube, as shown and described.

DESCRIPTION

FIG. 1 is a left side elevational view of a biopsy guide tube showing our new design;
FIG. 2 is a right side elevational view thereof;
FIG. 3 is a top plan view thereof;
FIG. 4 is a bottom plan view thereof;
FIG. 5 is a front elevational view thereof; and,
FIG. 6 is a rear elevational view thereof.
The broken line showing of FIGS. 1-6 is for illustrative purposes only and forms no part of the claimed design.

1 Claim, 3 Drawing Sheets



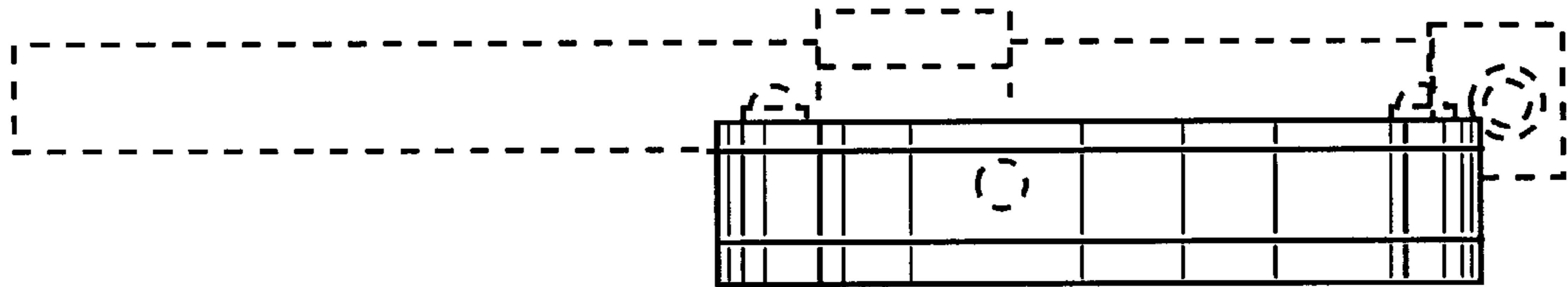


FIG. 1

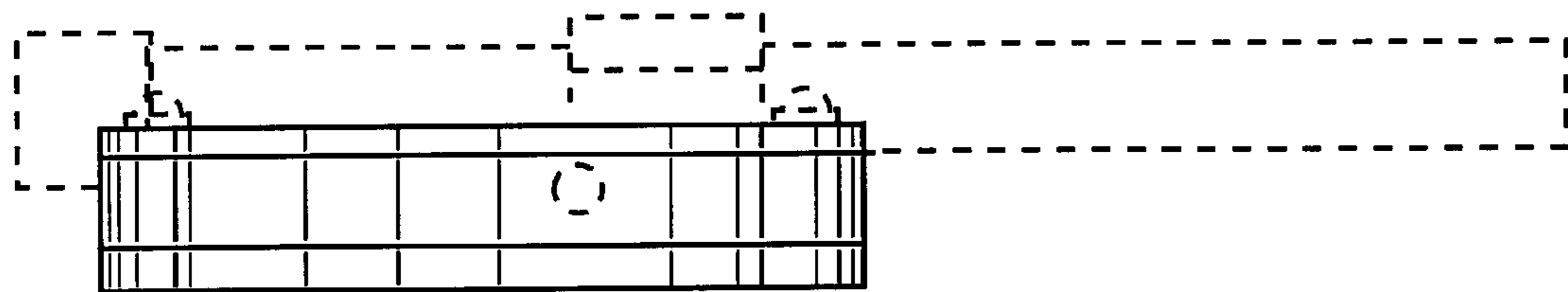


FIG. 2

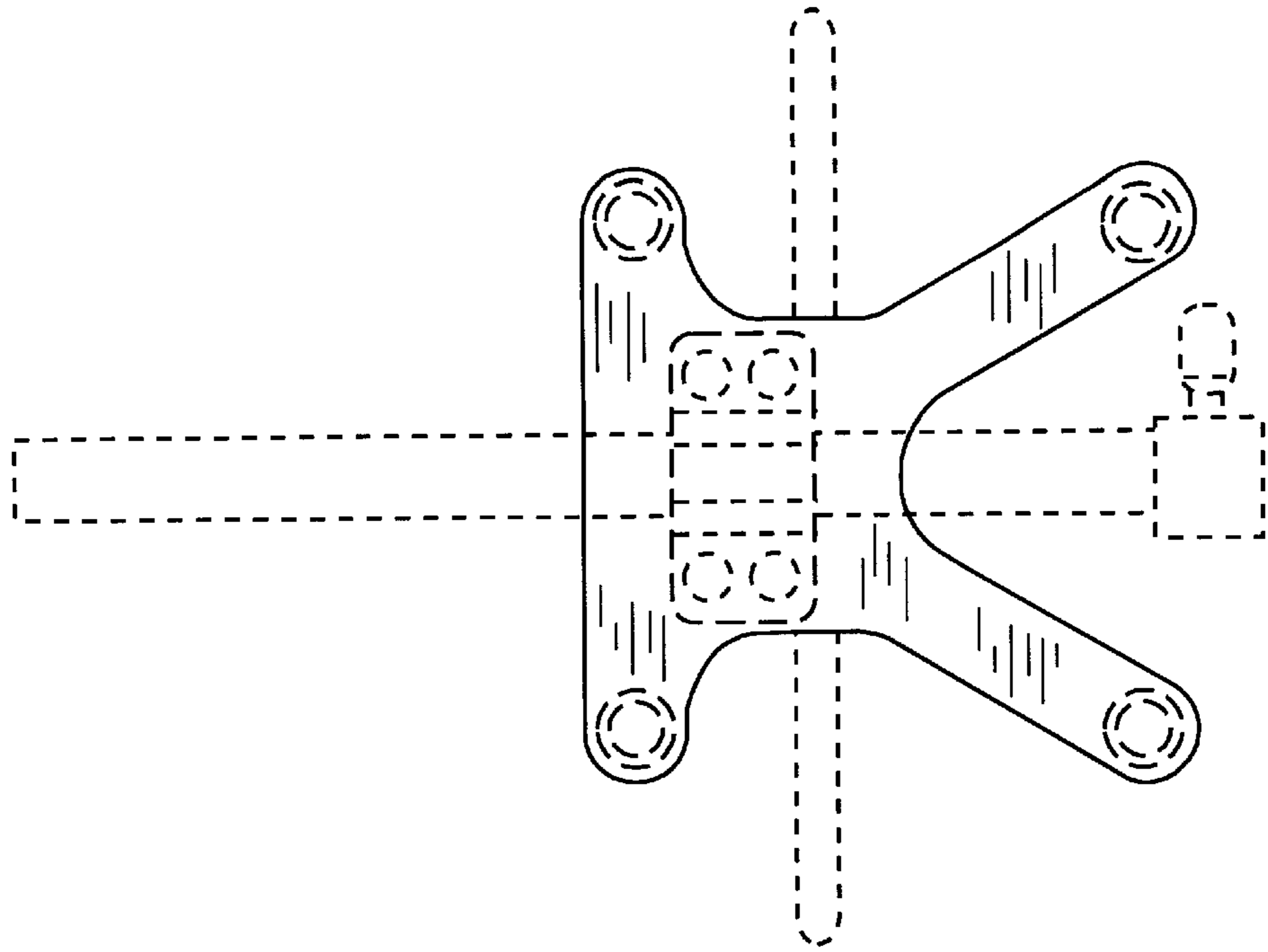


FIG. 3

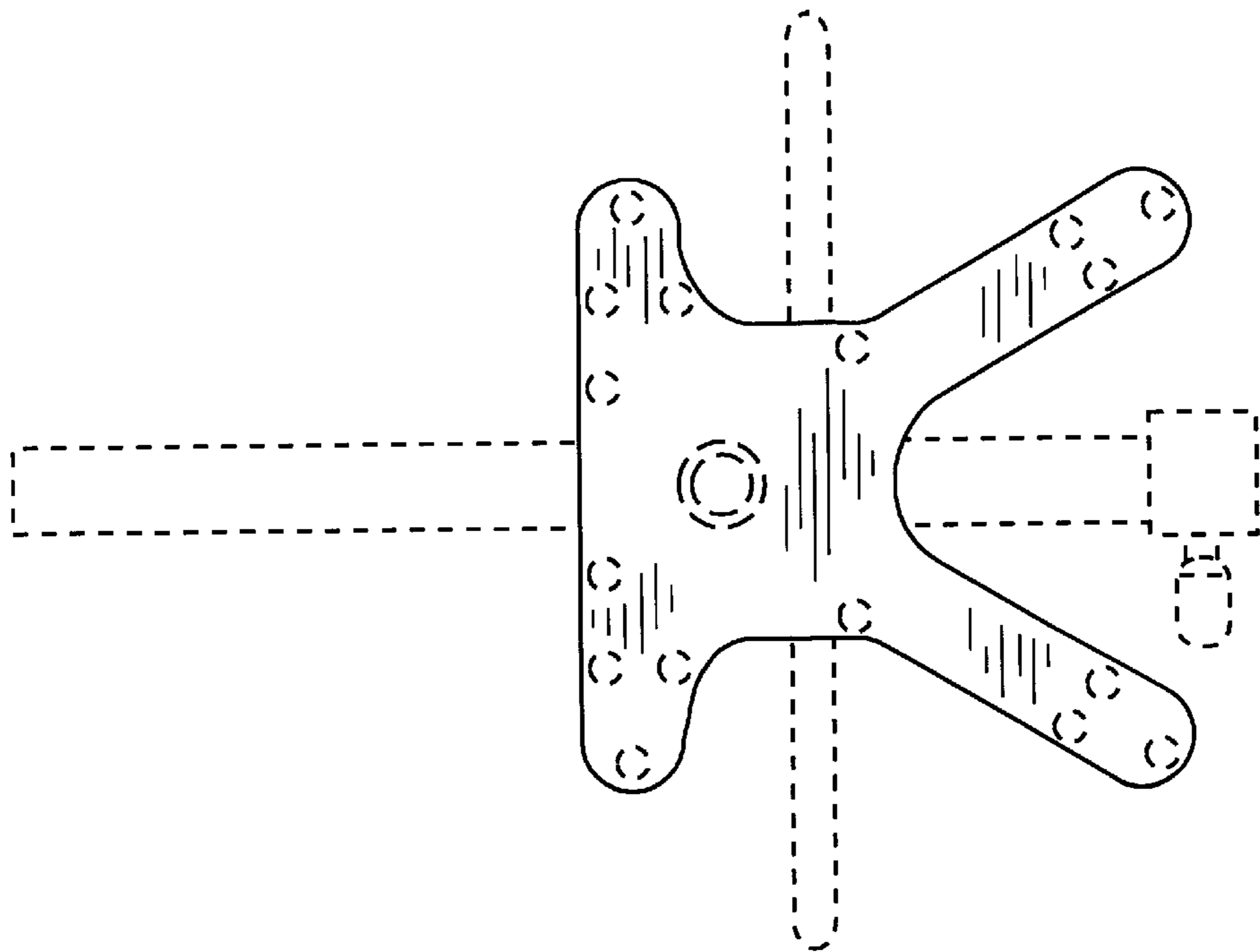


FIG. 4

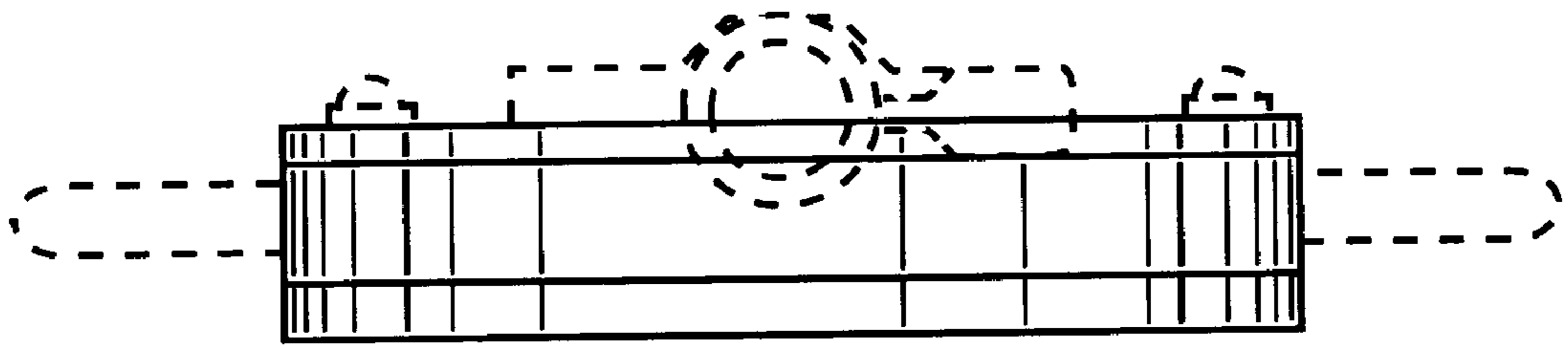


FIG. 5

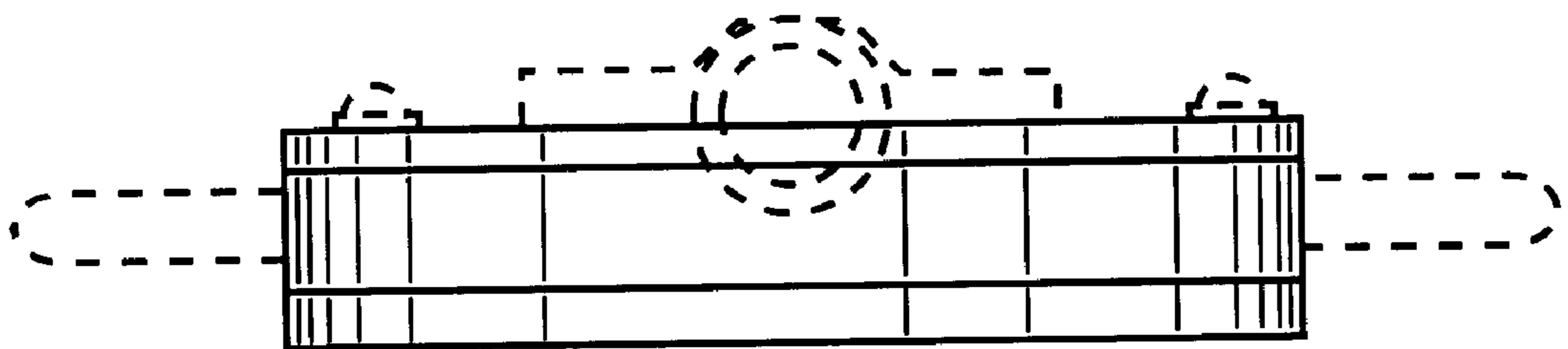


FIG. 6