



US00D422699S

**United States Patent** [19]  
**Weatherholt**

[11] **Patent Number: Des. 422,699**  
[45] **Date of Patent: \*\* Apr. 11, 2000**

[54] **FLEXIBLE PAD FOR NASAL CANNULA**

[75] Inventor: **Marjorie F. Weatherholt**, La Crescenta, Calif.

[73] Assignee: **The Living Trust of Marjorie F. Weatherholt**, La Crescenta, Calif.

[\*\*] Term: **14 Years**

[21] Appl. No.: **29/084,341**

[22] Filed: **Feb. 28, 1998**

4,699,139	10/1987	Marshall et al. .	
4,742,824	5/1988	Payton et al. .	
4,818,320	4/1989	Weichselbaum .	
4,838,878	6/1989	Kalt et al. .	
4,981,475	1/1991	Haindl .	
5,025,805	6/1991	Nutter .	
5,037,397	8/1991	Kalt et al. .	
5,117,818	6/1992	Palfy .	
5,147,320	9/1992	Reynolds et al. .	
5,163,914	11/1992	Abel .	
5,496,283	3/1996	Alexander .....	128/DIG. 26 X
5,499,976	3/1996	Dalton .....	128/DIG. 26 X
5,509,409	4/1996	Weatherholt .....	128/207.17 X

**Related U.S. Application Data**

[63] Continuation of application No. 08/700,023, Aug. 20, 1996, abandoned.

[51] **LOC (6) Cl.** ..... **24-02**  
 [52] **U.S. Cl.** ..... **D24/128; D24/189**  
 [58] **Field of Search** ..... D24/128, 127, D24/189, 190; 128/DIG. 26, 207.11, 207.17, 207.18

**References Cited**

**U.S. PATENT DOCUMENTS**

2,831,487	4/1958	Tafilaw .
3,802,431	4/1974	Farr .
4,122,857	10/1978	Haerr .
4,336,806	6/1982	Eldridge, Jr. .
4,457,754	7/1984	Buttaravoli .
4,583,976	4/1986	Ferguson .
4,632,670	12/1986	Mueller, Jr. .
4,660,555	4/1987	Payton .

*Primary Examiner*—Louis B. Zarfes  
*Assistant Examiner*—I Simmon  
*Attorney, Agent, or Firm*—Kelly Bauersfeld Lowry & Kelley, LLP

**CLAIM**

[57] The ornamental design for a flexible pad for nasal cannula, as shown and described.

**DESCRIPTION**

FIG. 1 is a top, front and side perspective view of a flexible pad for nasal cannula embodying my new design; FIG. 2 is a front elevational view thereof, the rear elevational view being a mirror image; FIG. 3 is a left side elevational view thereof, the right side elevational view being a mirror image; FIG. 4 is a top plan view thereof; and, FIG. 5 is a bottom plan view thereof.

**1 Claim, 1 Drawing Sheet**

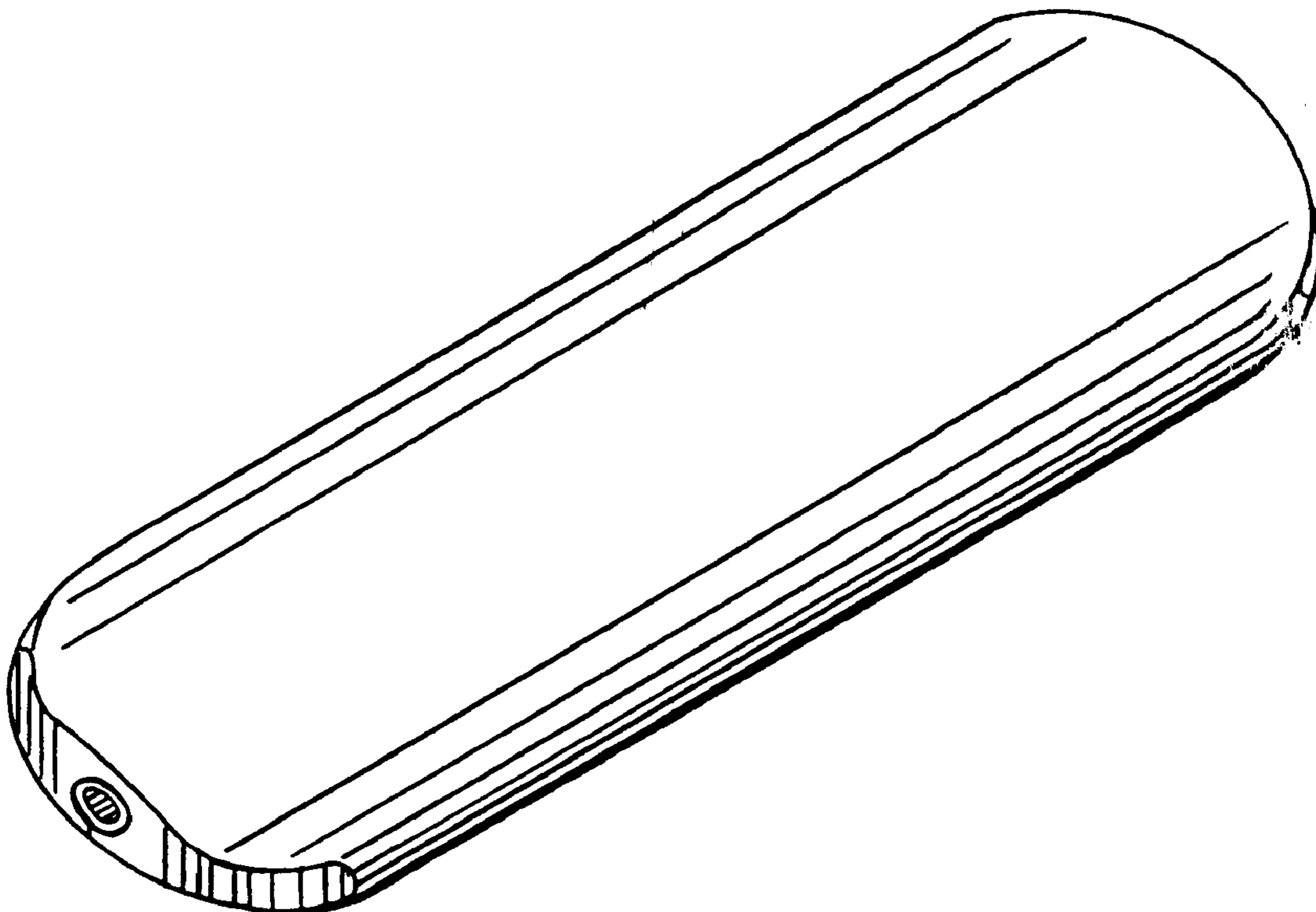


FIG. 1

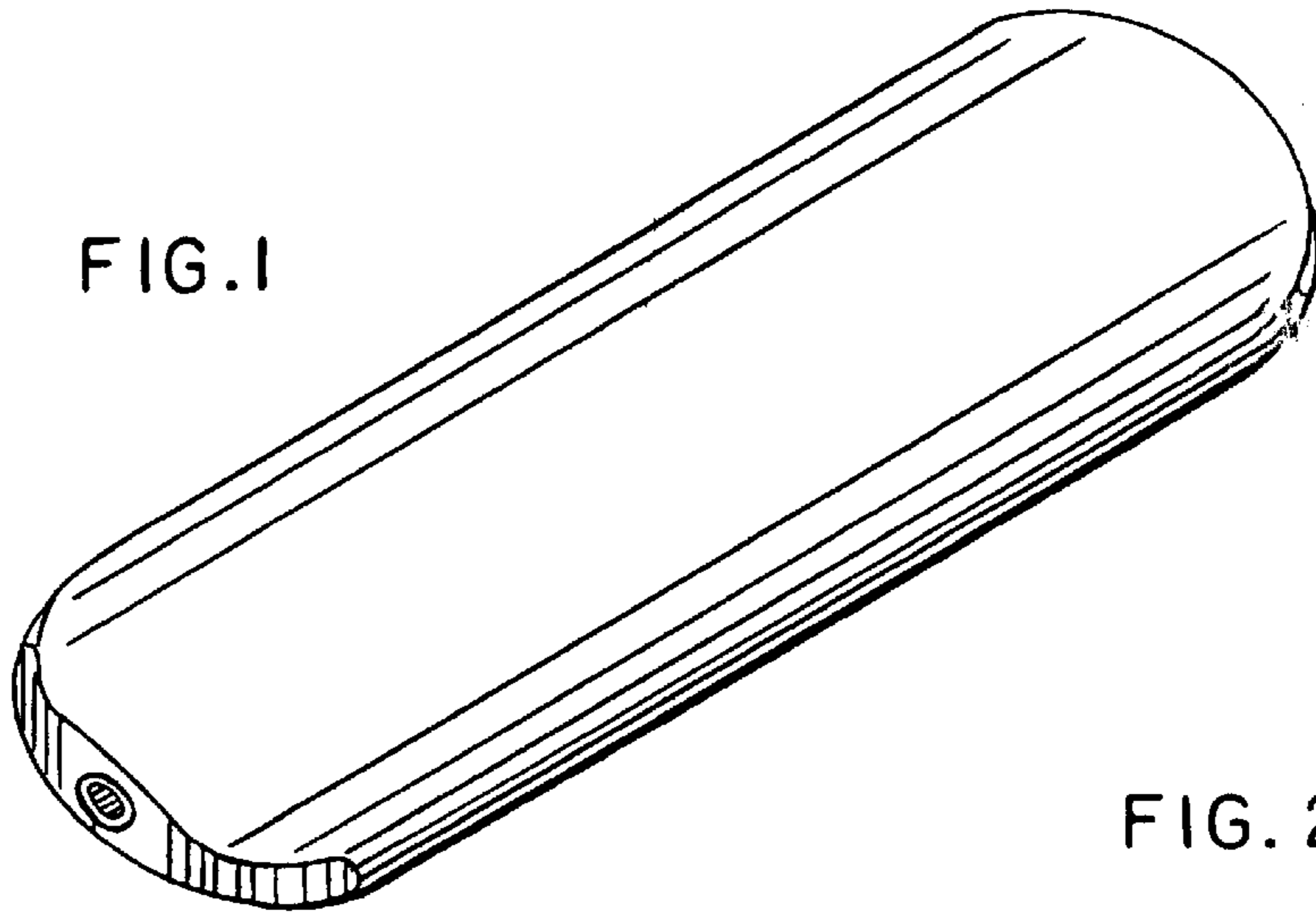


FIG. 2



FIG. 3

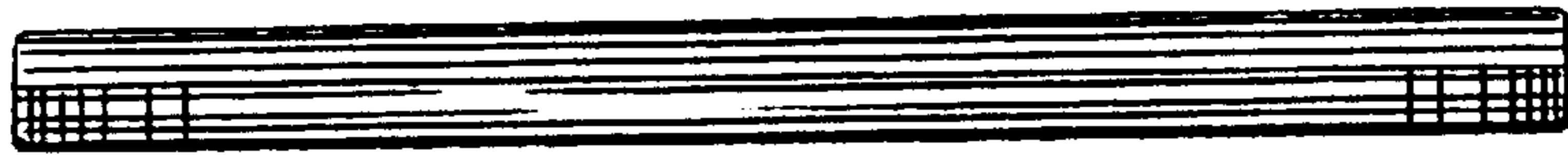


FIG. 4

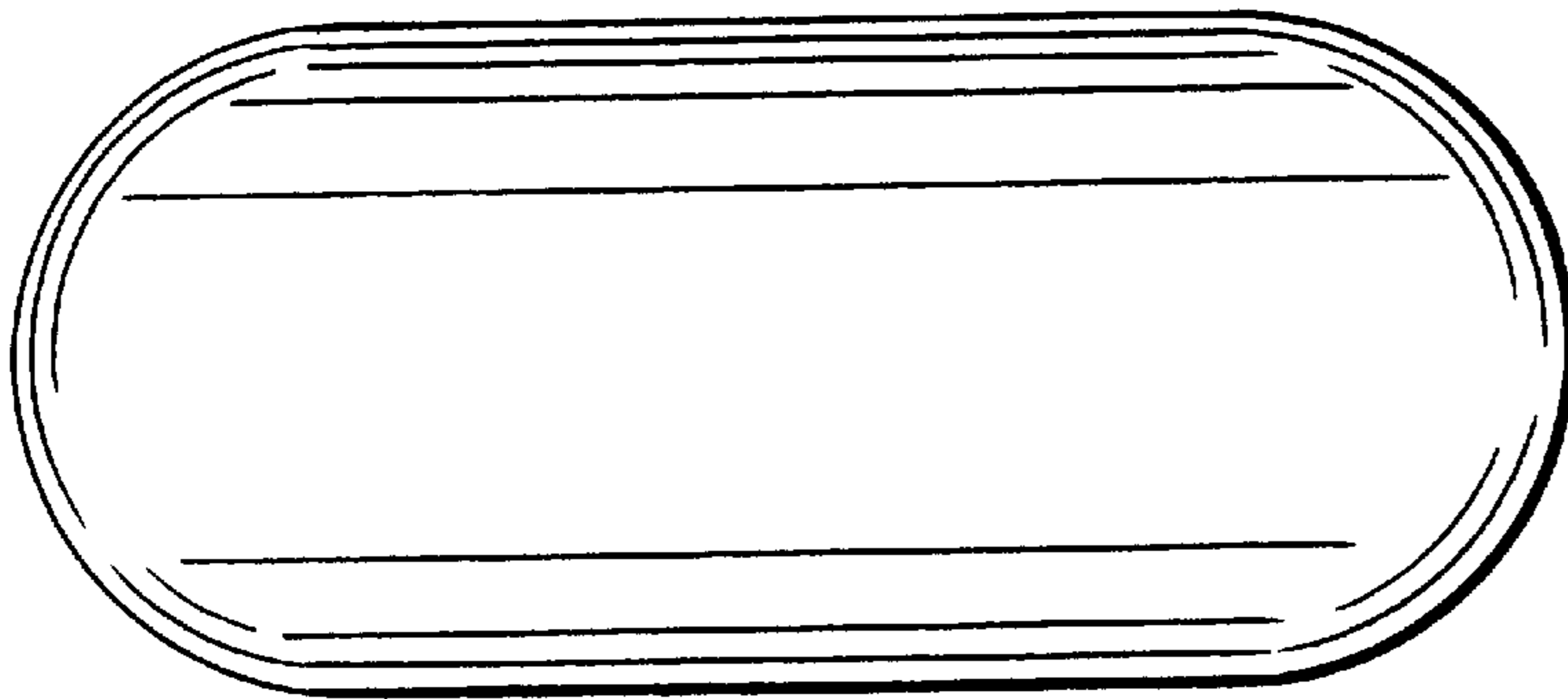


FIG. 5

