



US00D422697S

United States Patent [19]

Bellhouse et al.

[11] Patent Number: **Des. 422,697**

[45] Date of Patent: **** Apr. 11, 2000**

[54] **HAND HELD INJECTOR**

[75] Inventors: **Emily L. Bellhouse**, Oxford; **Stuart G. Weekes**, Littlemore; **Graeme L. J. Paterson**, Cheddar, all of United Kingdom

[73] Assignee: **PowderJect Research Limited**, United Kingdom

[**] Term: **14 Years**

[21] Appl. No.: **29/099,173**

[22] Filed: **Jan. 13, 1999**

[51] **LOC (6) Cl.** **24-02**

[52] **U.S. Cl.** **D24/112; D24/113**

[58] **Field of Search** D24/114, 113, D24/112; 604/68, 69, 67, 70, 71, 72, 73, 135, 134, 143

[56] **References Cited**

U.S. PATENT DOCUMENTS

| | | | |
|------------|---------|-----------------------|---------|
| D. 316,899 | 5/1991 | Amdersson et al. | D24/113 |
| D. 343,897 | 2/1994 | Rand et al. | D24/112 |
| D. 349,958 | 8/1994 | Hollis et al. | D24/112 |
| D. 375,789 | 11/1996 | Bryant et al. | D24/112 |

| | | | |
|-----------|--------|---------------------|--------|
| 5,503,628 | 4/1996 | Fetters et al. | 604/72 |
| 5,746,714 | 5/1998 | Salo et al. | 604/68 |
| 5,899,879 | 5/1999 | Umbaugh | 604/68 |

Primary Examiner—Stella Reid
Assistant Examiner—I Simmons
Attorney, Agent, or Firm—Thomas P. McCracken

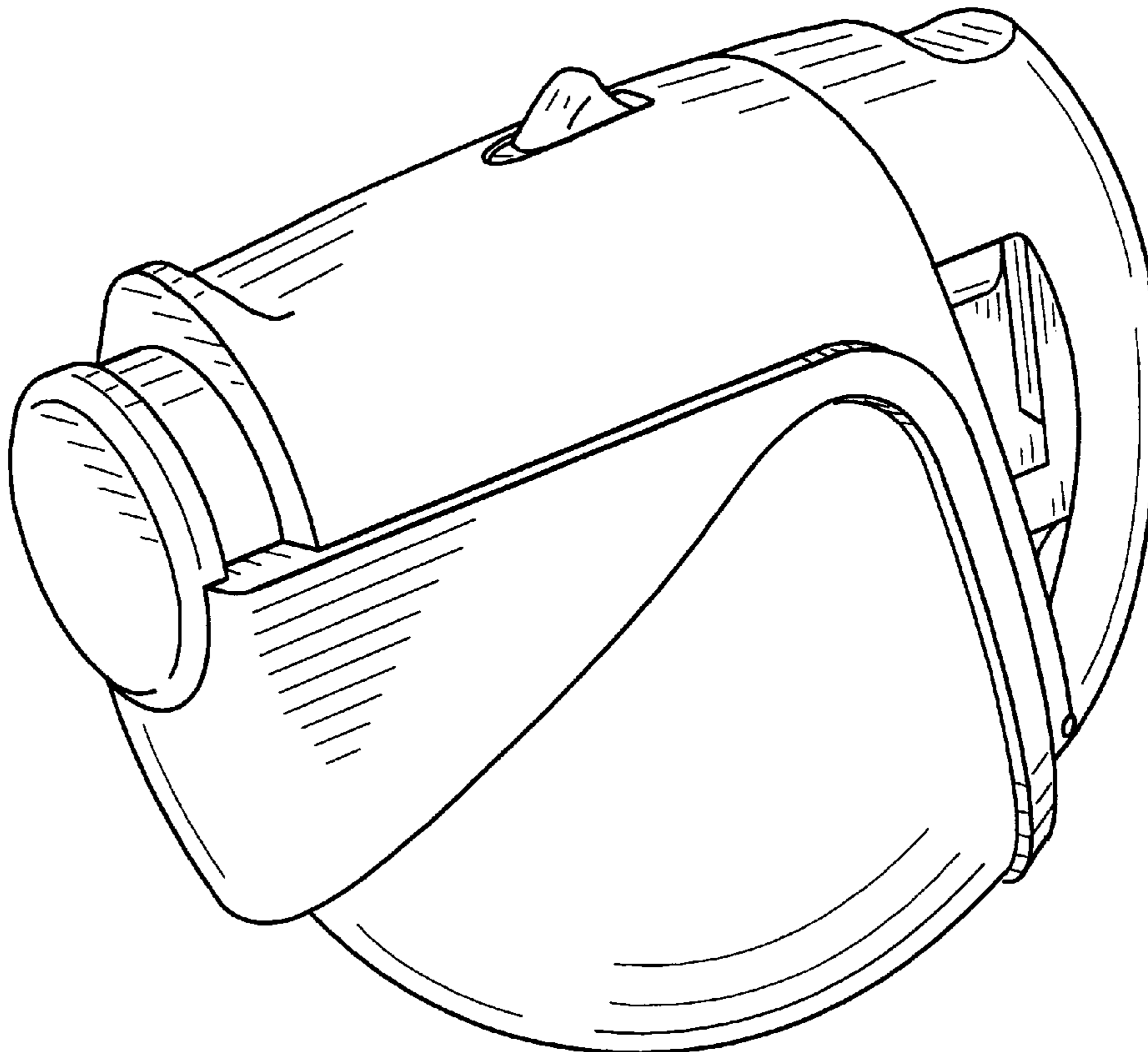
[57] **CLAIM**

The ornamental design for a hand held injector, as shown and described.

DESCRIPTION

FIG. 1 is a perspective view of a hand held injector viewed approximately from the front, right side, showing my new design;
FIG. 2 is a right side elevational view of the hand held injector and the left side view being a mirror image of this view;
FIG. 3 is a top plan view thereof;
FIG. 4 is an elevational front view thereof;
FIG. 5 is an elevational rear view thereof;
FIG. 6 is a bottom plan view thereof; and,
FIG. 7 is an alternate right side elevational view showing the same injector with a dust guard element pivoted to an alternate position.

1 Claim, 3 Drawing Sheets



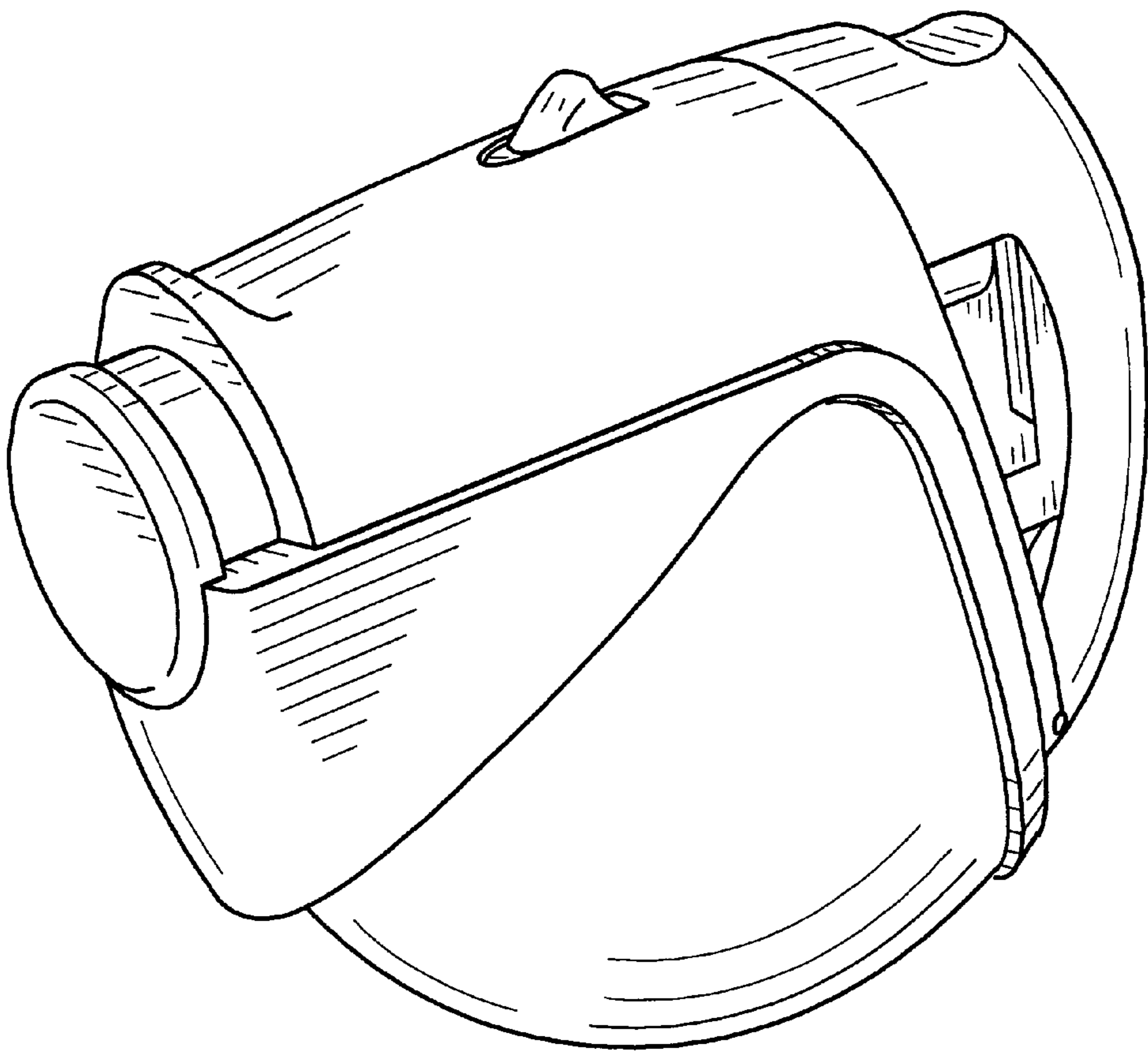


FIG. 1

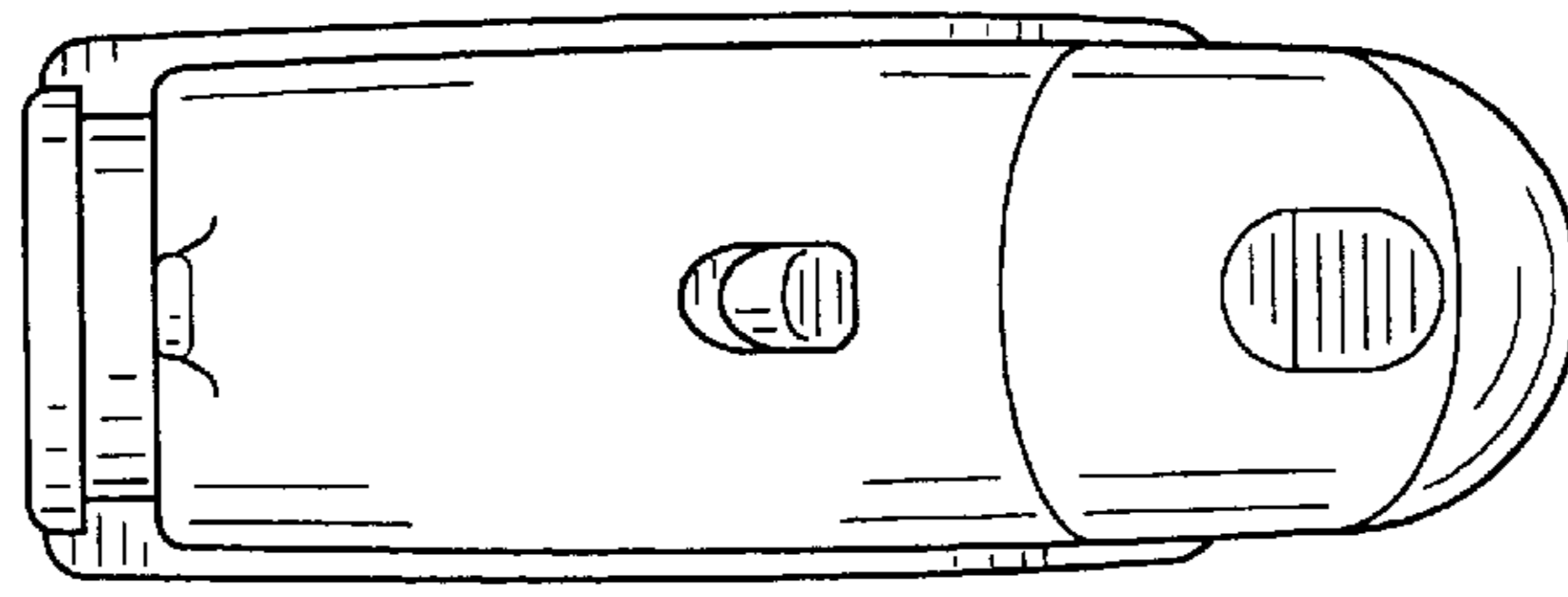


FIG. 3

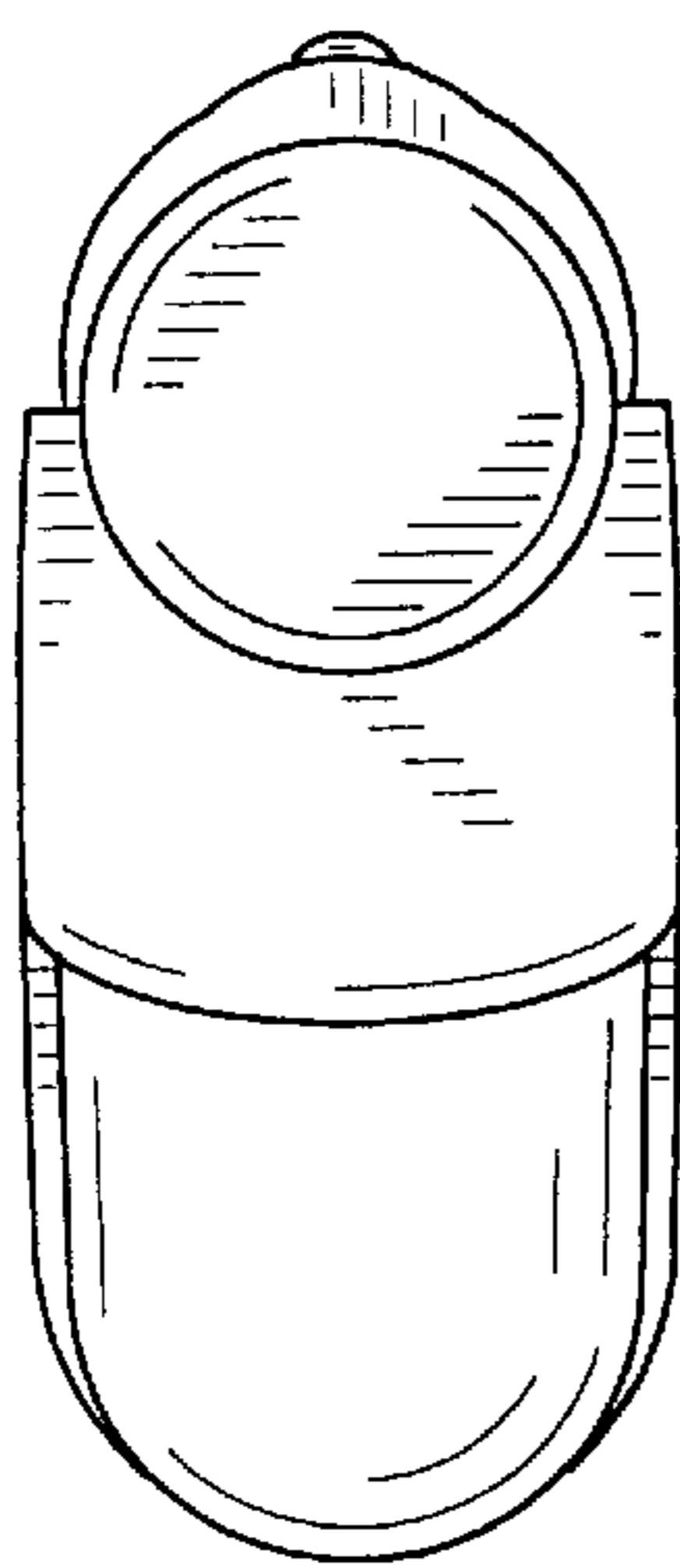


FIG. 4

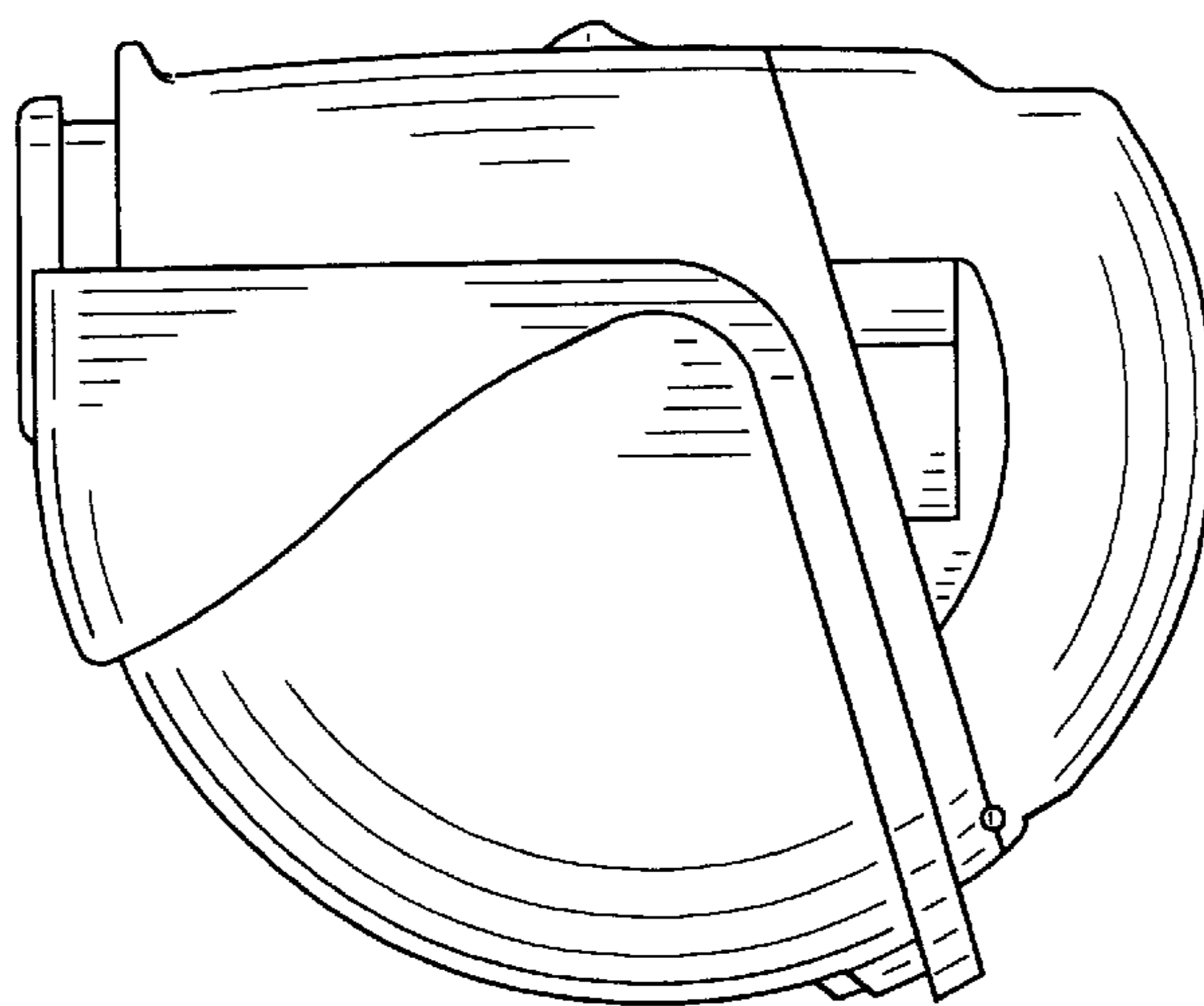


FIG. 2

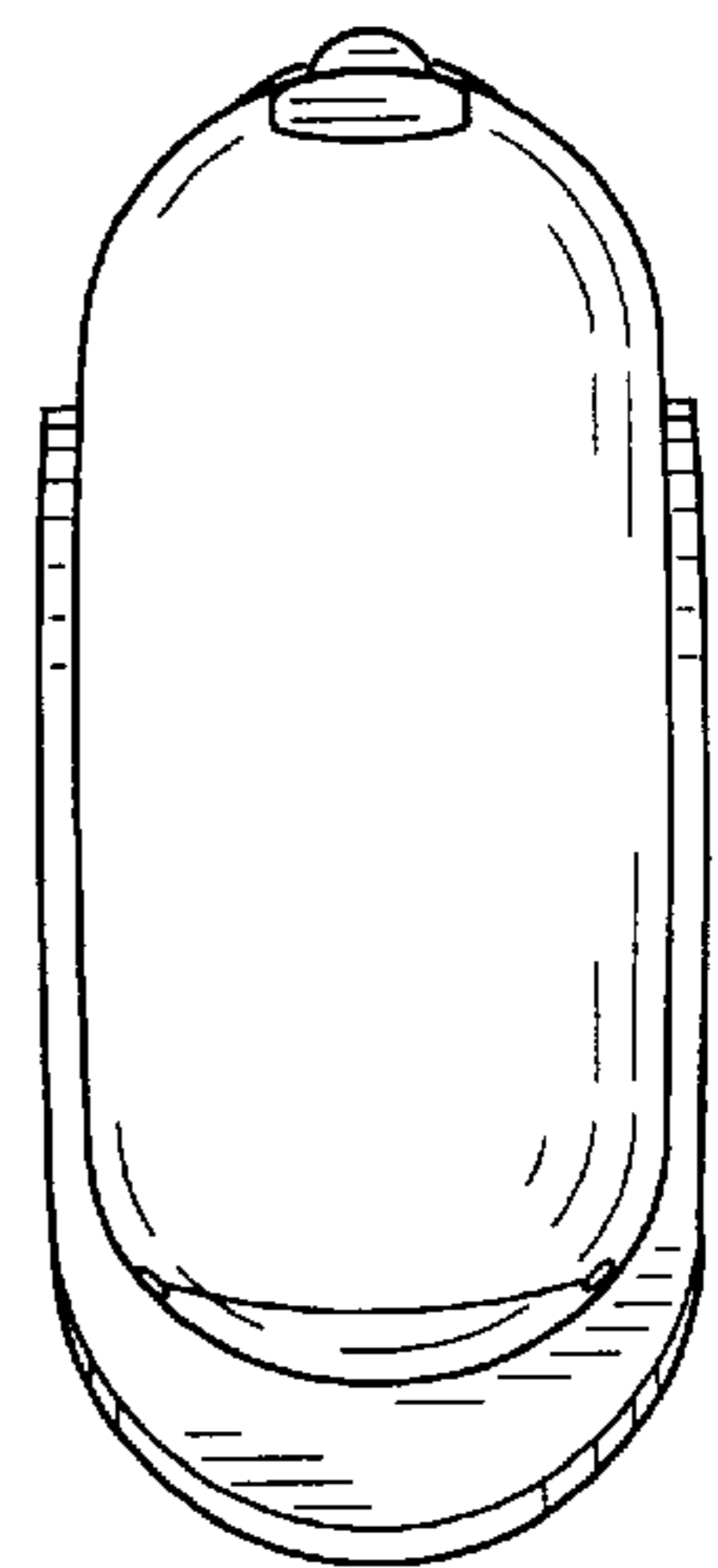


FIG. 5

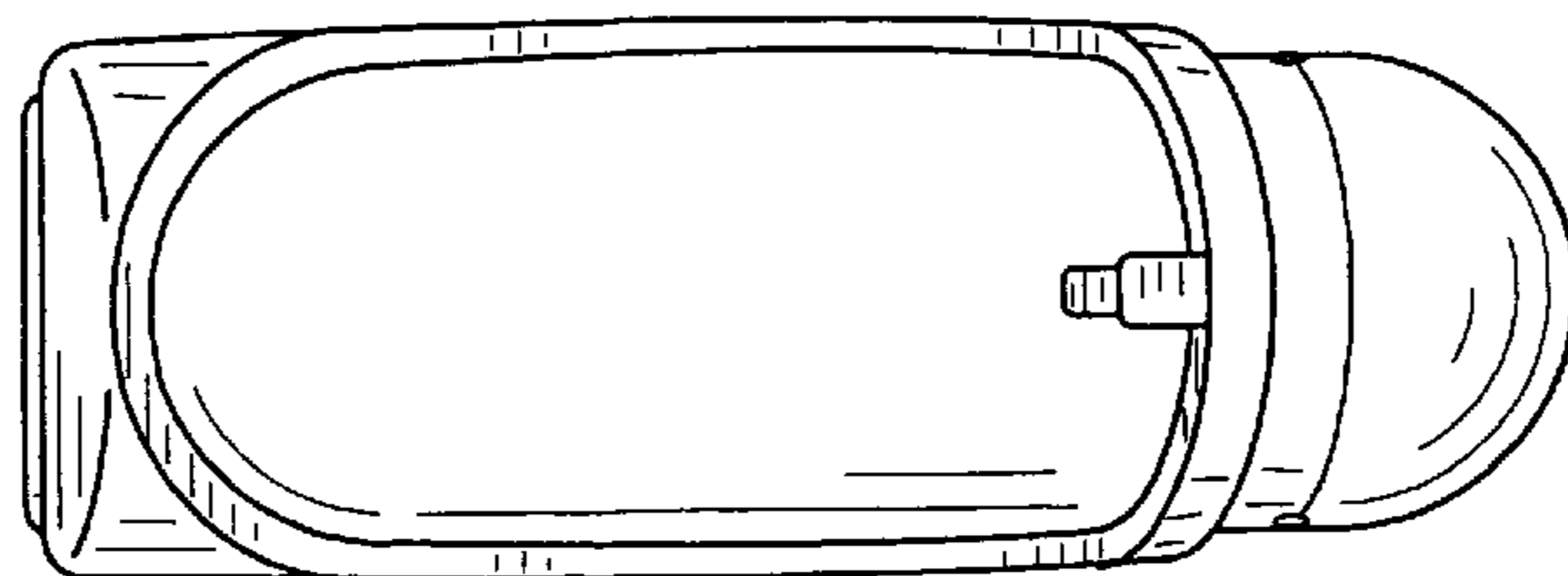


FIG. 6

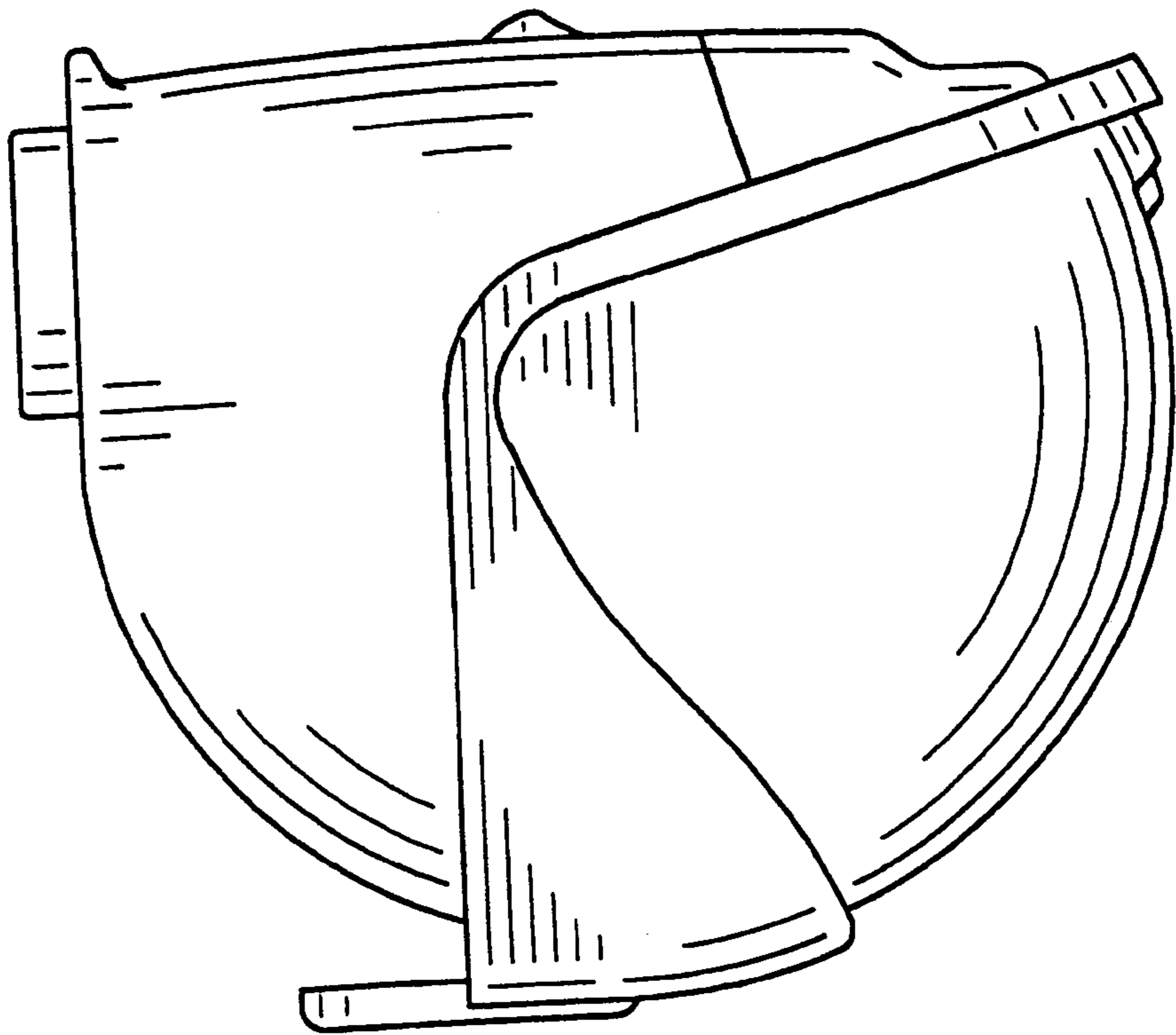


FIG. 7