



US00D422696S

**United States Patent** [19]  
**van Engelen et al.**

[11] **Patent Number: Des. 422,696**

[45] **Date of Patent: \*\* Apr. 11, 2000**

[54] **SURGICAL CONTROLLER PANEL FOR HEART PUMP**

D. 338,272 8/1993 Cunagin et al. .... D24/186 X  
D. 352,106 11/1994 Fanney et al. .... D24/150 X  
D. 396,289 7/1998 McGugan .... D24/169

[75] Inventors: **Fernd van Engelen**, Bellevue, Wash.;  
**Klaus Rosburg**, Brooklyn, N.Y.

*Primary Examiner*—Stella Reid  
*Assistant Examiner*—I Simmons

[73] Assignee: **United States Surgical**, Norwalk, Conn.

[57] **CLAIM**

[\*\*] Term: **14 Years**

The ornamental design for a surgical controller panel for heart pump, as shown and described.

[21] Appl. No.: **29/081,375**

**DESCRIPTION**

[22] Filed: **Dec. 31, 1997**

FIG. 1 is a perspective view of the surgical controller panel for heart pump showing our new design;  
FIG. 2 is a front view thereof;  
FIG. 3 is a side view thereof, the opposite side view being a mirror image thereto;  
FIG. 4 is a rear view thereof;  
FIG. 5 is a top view thereof; and,  
FIG. 6 is a bottom view thereof.  
The broken line showing in FIGS. 1–6 is for illustrative purposes only and forms no part of the claimed design.

[51] **LOC (6) Cl.** ..... **24-02**

[52] **U.S. Cl.** ..... **D24/107; D24/169**

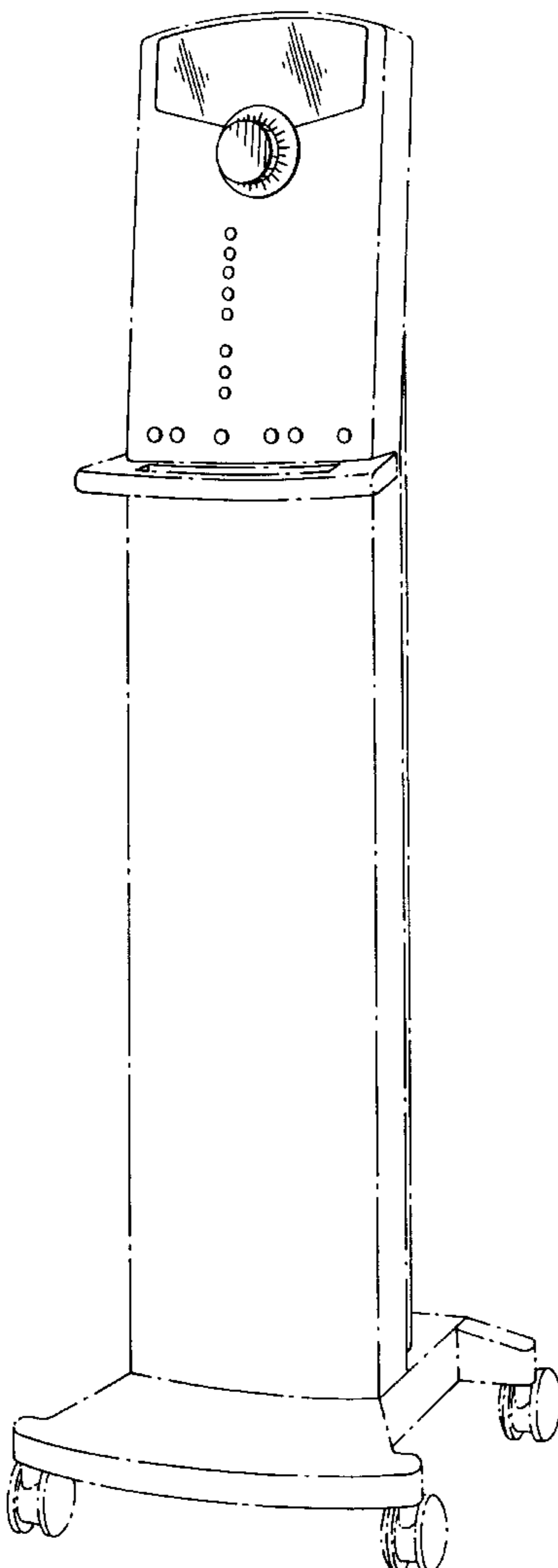
[58] **Field of Search** ..... D24/231, 232,  
D24/107, 169, 167, 185, 186; 604/4, 6,  
48, 26; 600/486, 503, 510

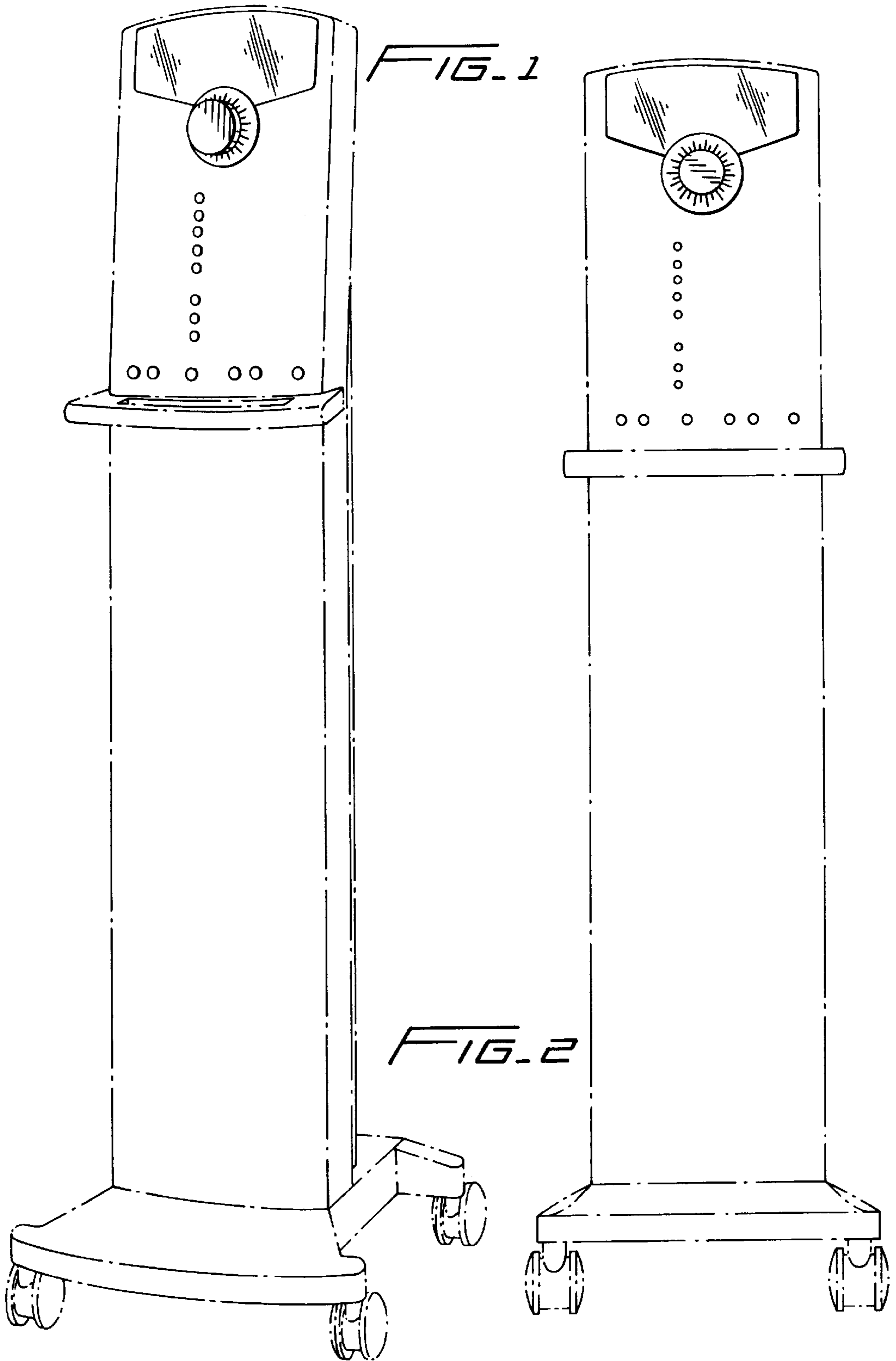
[56] **References Cited**

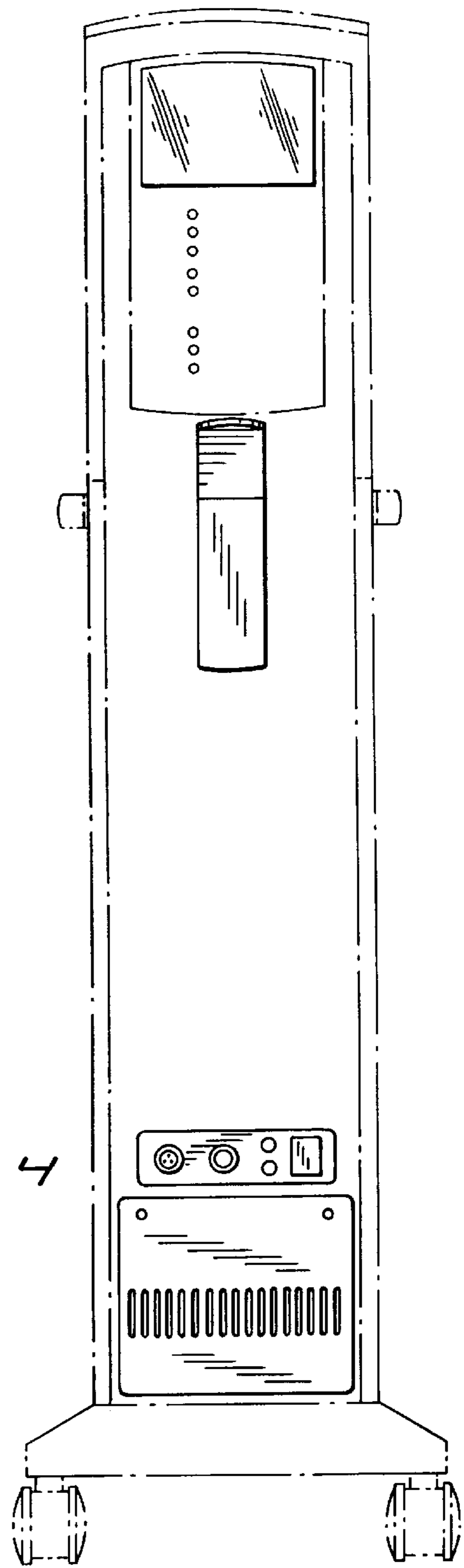
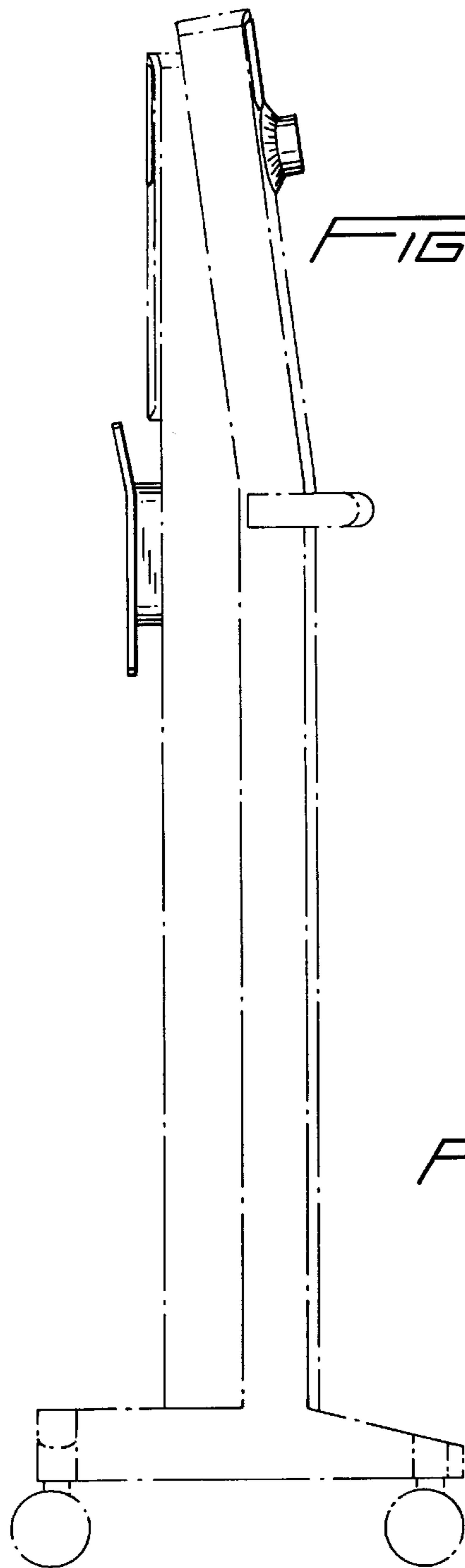
**U.S. PATENT DOCUMENTS**

D. 316,297 4/1991 Neumeister ..... D24/185 X

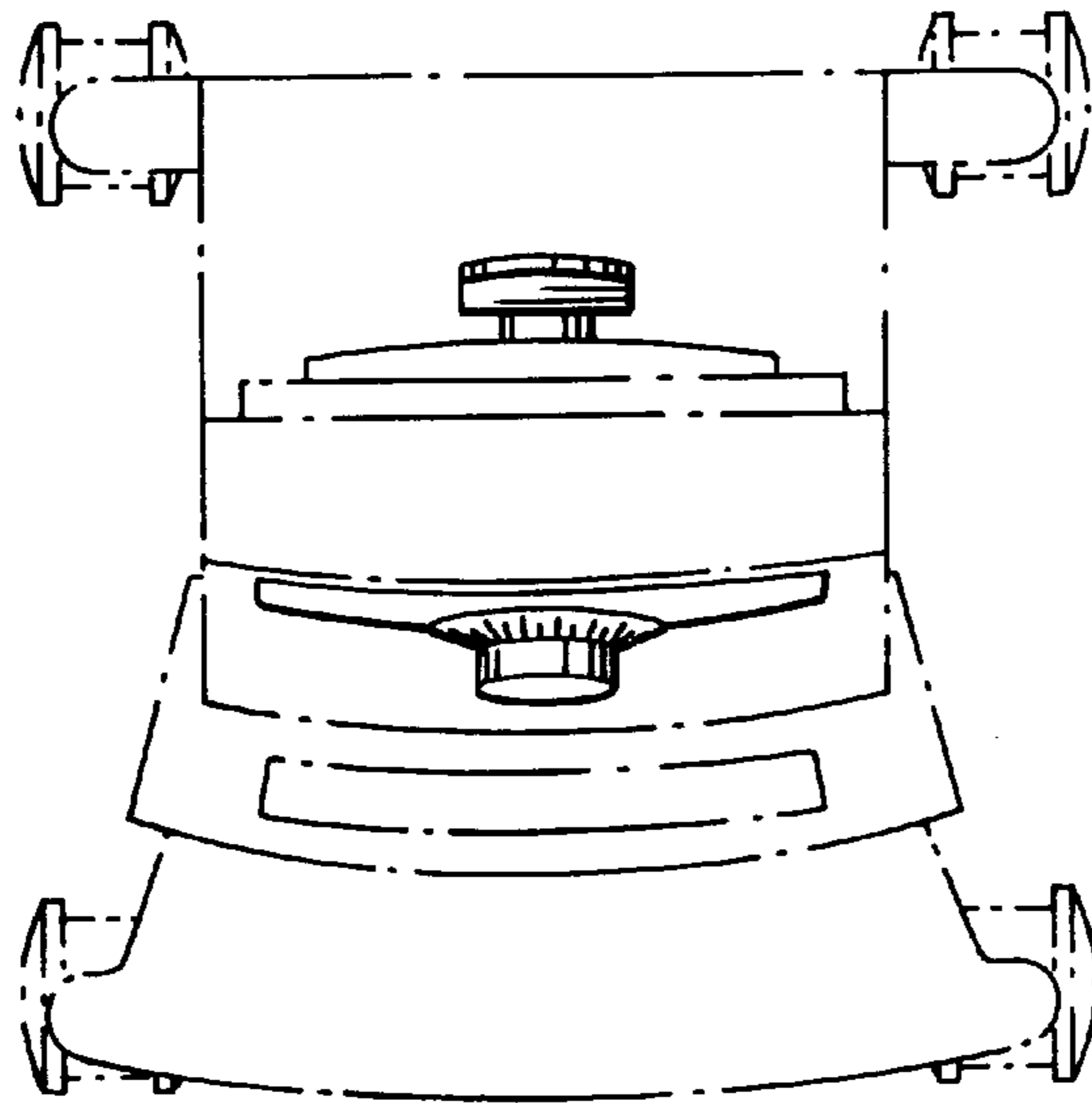
**1 Claim, 3 Drawing Sheets**







*FIG. 5*



*FIG. 6*

