



US00D422692S

# United States Patent [19] Quinones

[11] **Patent Number: Des. 422,692**

[45] **Date of Patent: \*\* Apr. 11, 2000**

[54] **AIR FRESHENER DISPENSER**

D. 349,134 7/1994 Peersmann ..... D22/112

[76] Inventor: **Jorge A. Quinones**, 15 Jordan Dr., C-3,  
Whitehall, Pa. 18052

*Primary Examiner*—Lisa Lichtenstein  
*Attorney, Agent, or Firm*—Henderson & Sturm

[\*\*] Term: **14 Years**

[57] **CLAIM**

[21] Appl. No.: **29/093,303**

The ornamental design for an air freshener dispenser, as shown.

[22] Filed: **Sep. 8, 1998**

### DESCRIPTION

[51] **LOC (6) Cl.** ..... **23-04**

[52] **U.S. Cl.** ..... **D23/367**; D22/112; D23/366

[58] **Field of Search** ..... D23/366–369;  
D21/483, 567; 422/120, 305, 124; D4/157,  
73; D22/100, 112; 239/211, 60, 57–59;  
261/DIG. 65

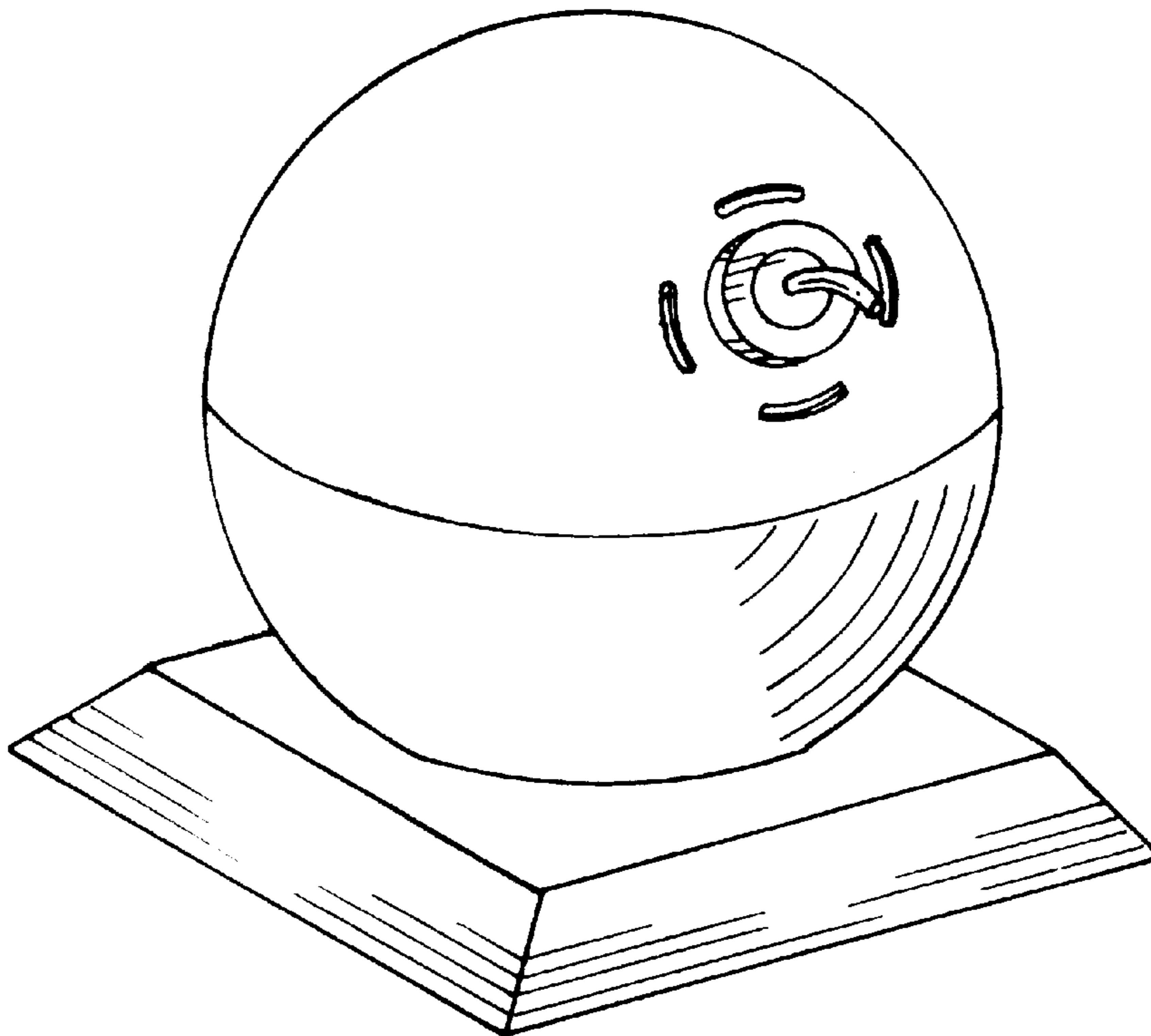
FIG. 1 is a perspective view of the design for an air freshener dispenser showing my new design;  
FIG. 2 is a front elevation view thereof;  
FIG. 3 is left side elevation view thereof;  
FIG. 4 is a rear elevation view thereof;  
FIG. 5 is a right side elevation view thereof;  
FIG. 6 is a top plan view thereof; and,  
FIG. 7 is a bottom plan view thereof.

[56] **References Cited**

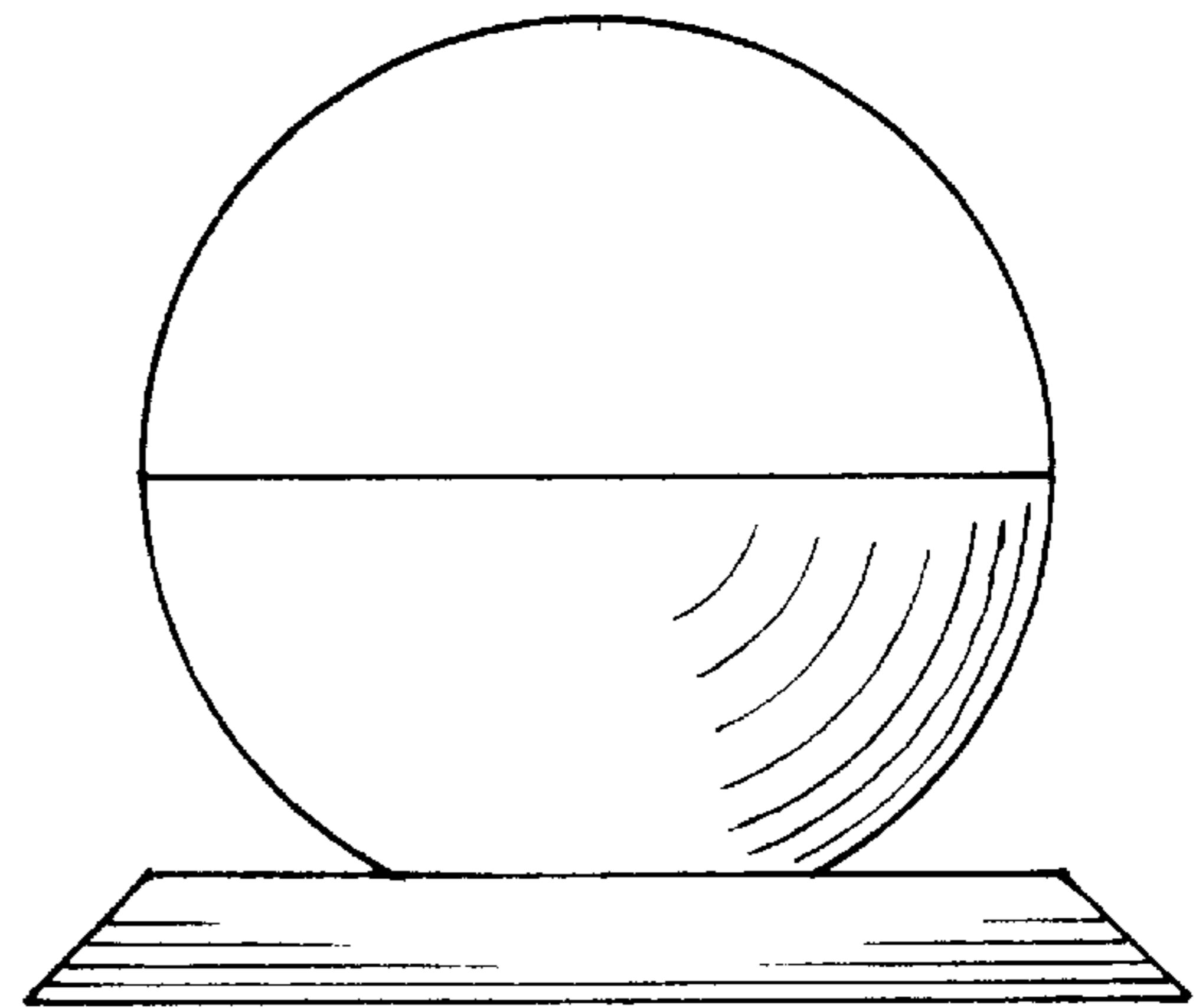
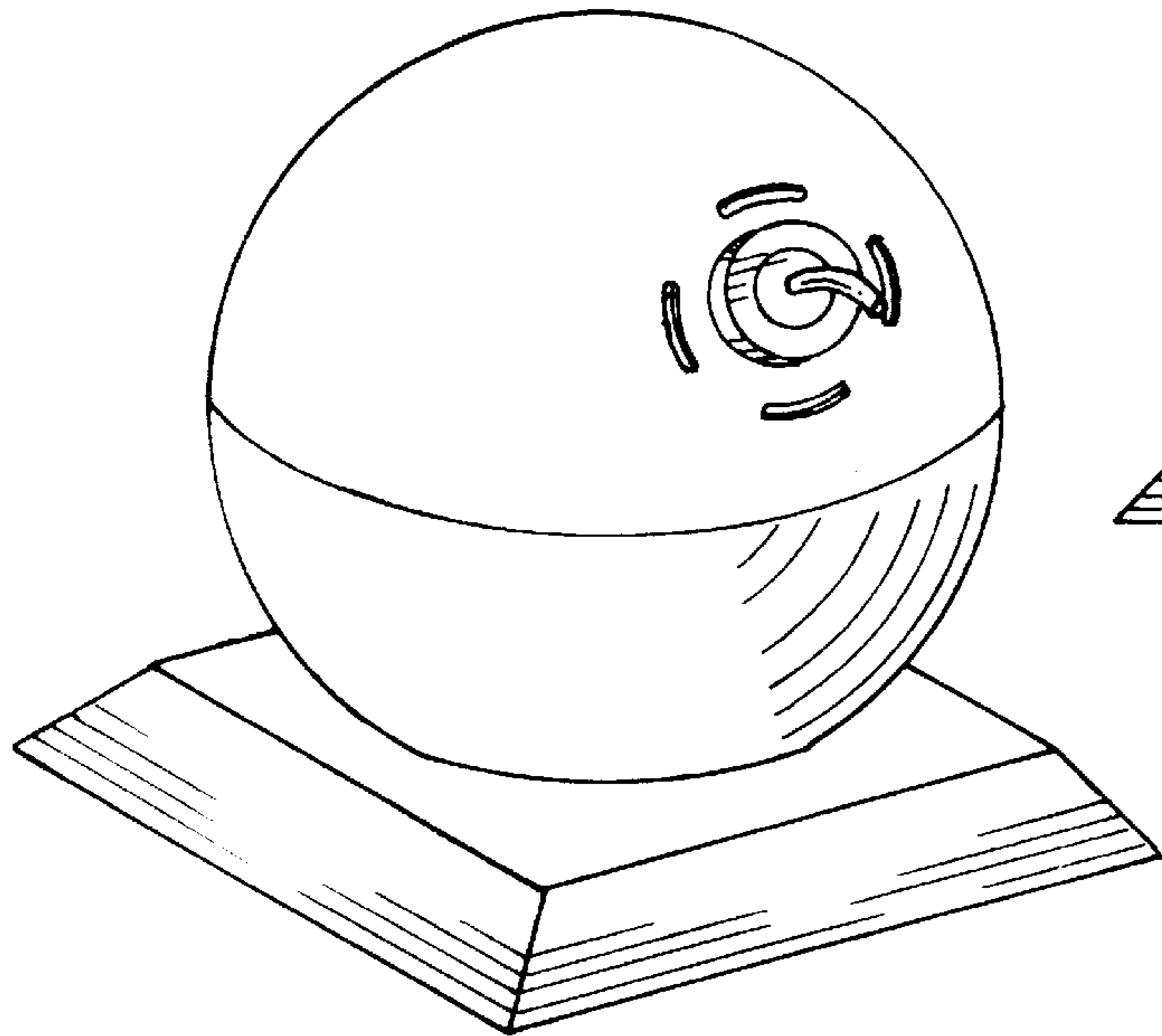
#### U.S. PATENT DOCUMENTS

D. 345,788 4/1994 Green ..... D23/366

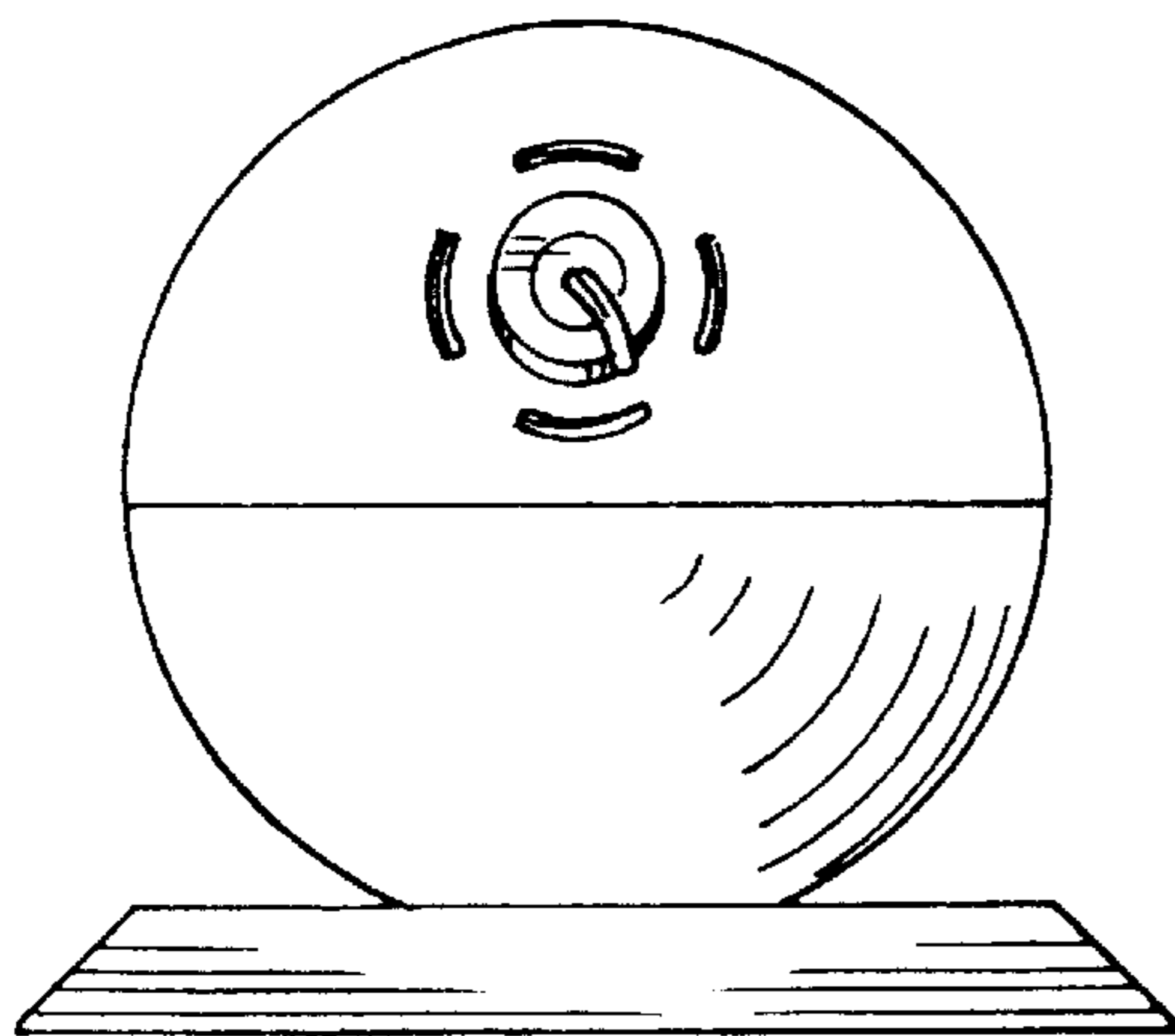
**1 Claim, 2 Drawing Sheets**



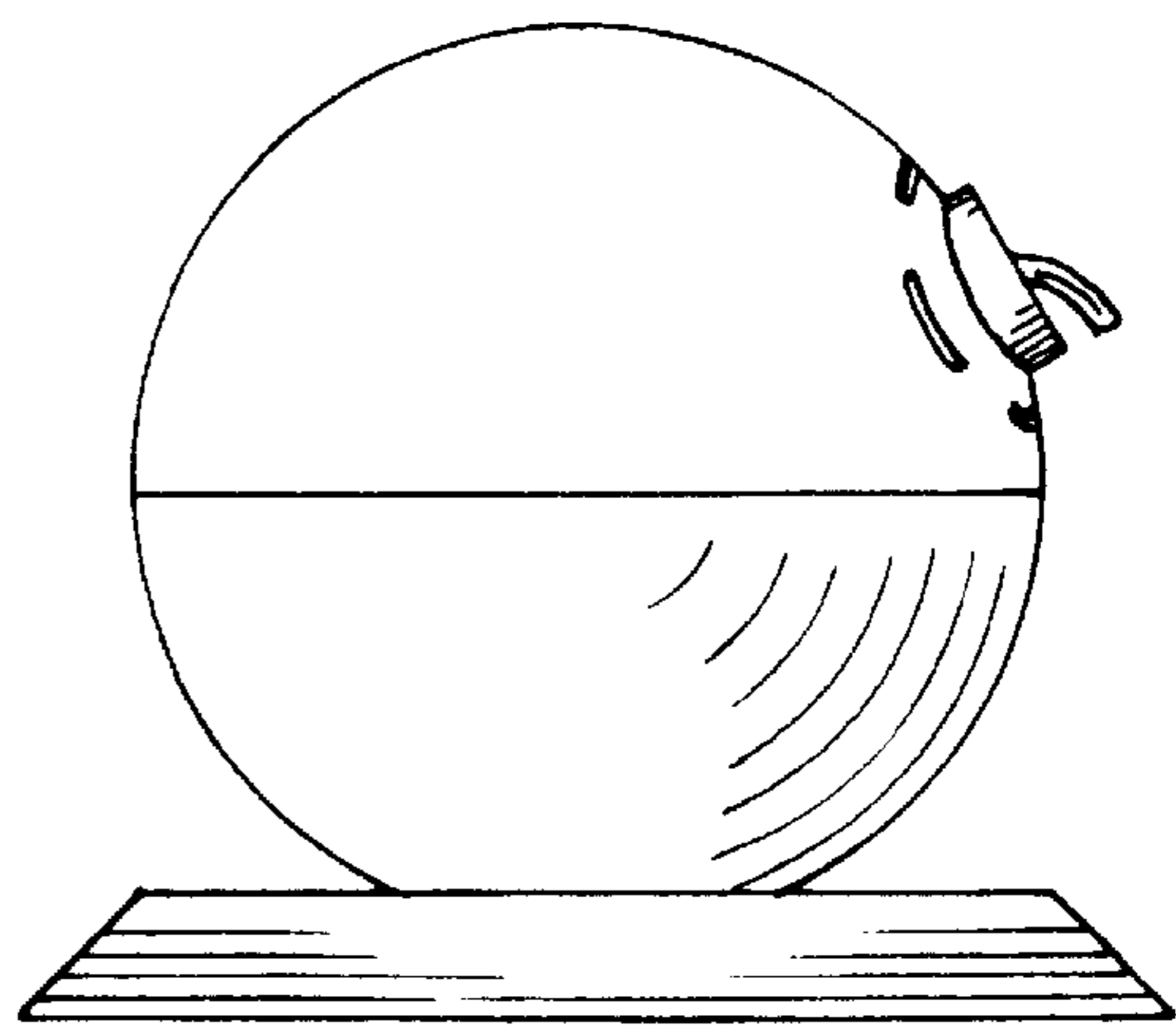
*Fig. 1*



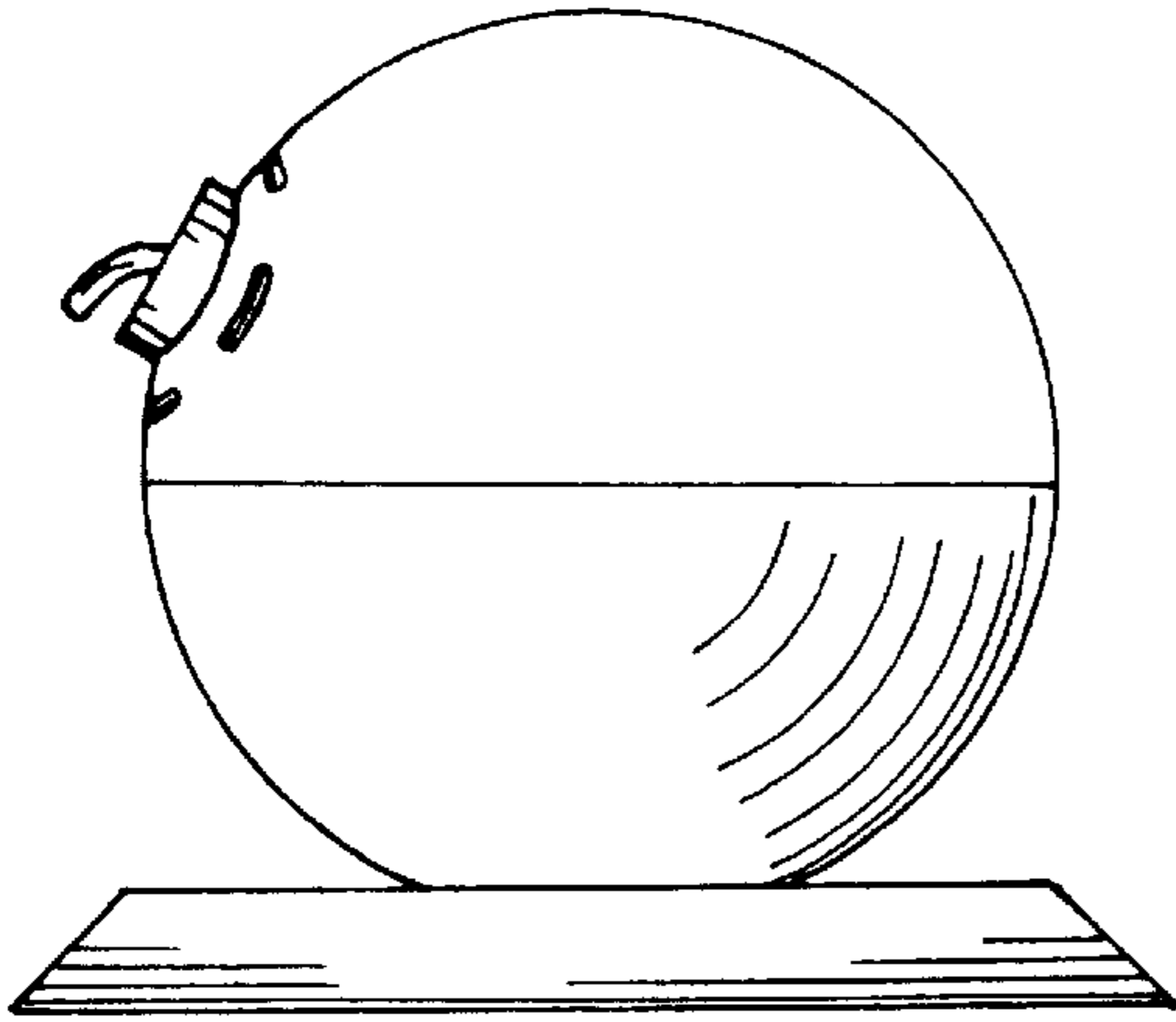
*Fig. 4*



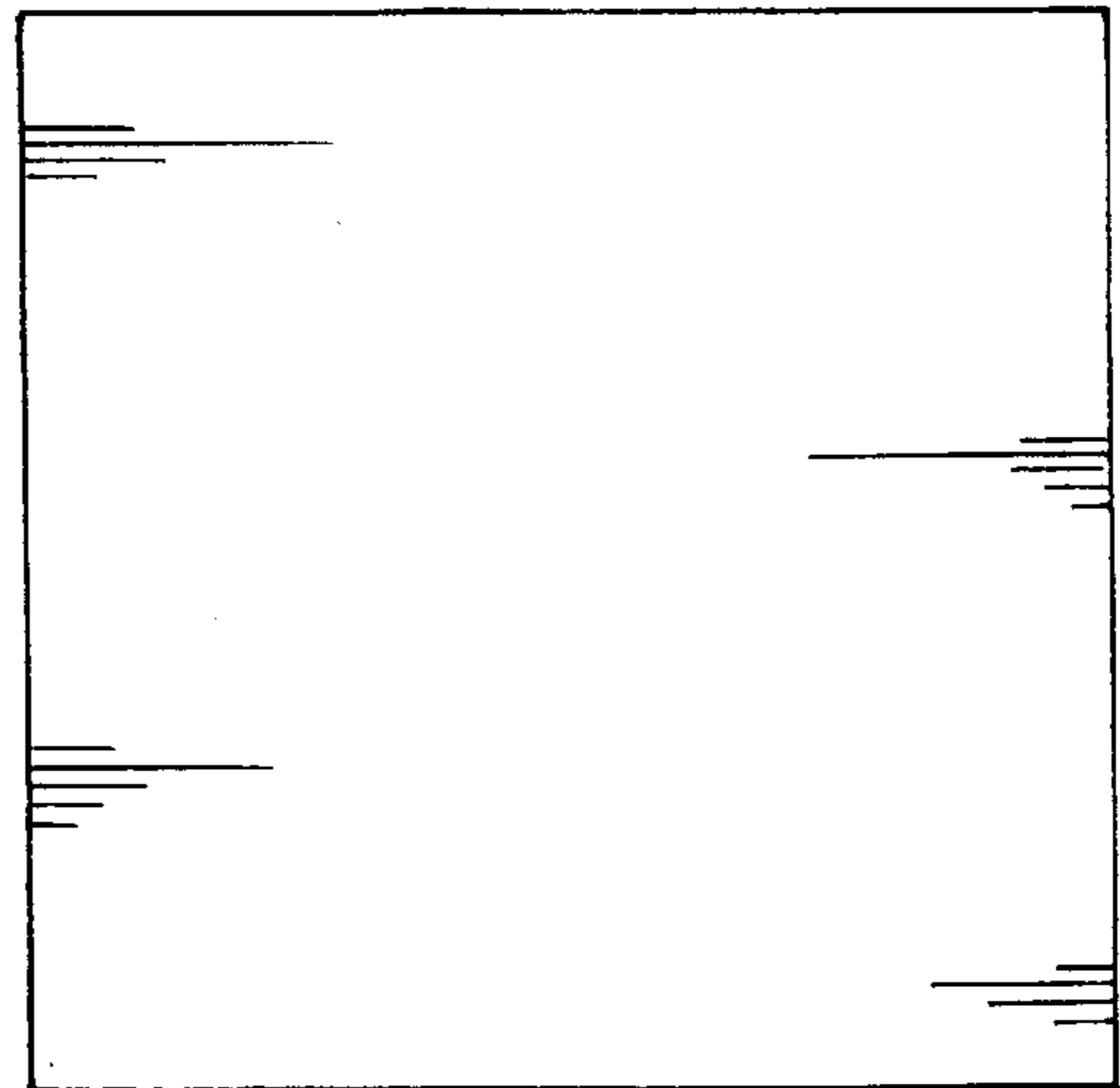
*Fig. 2*



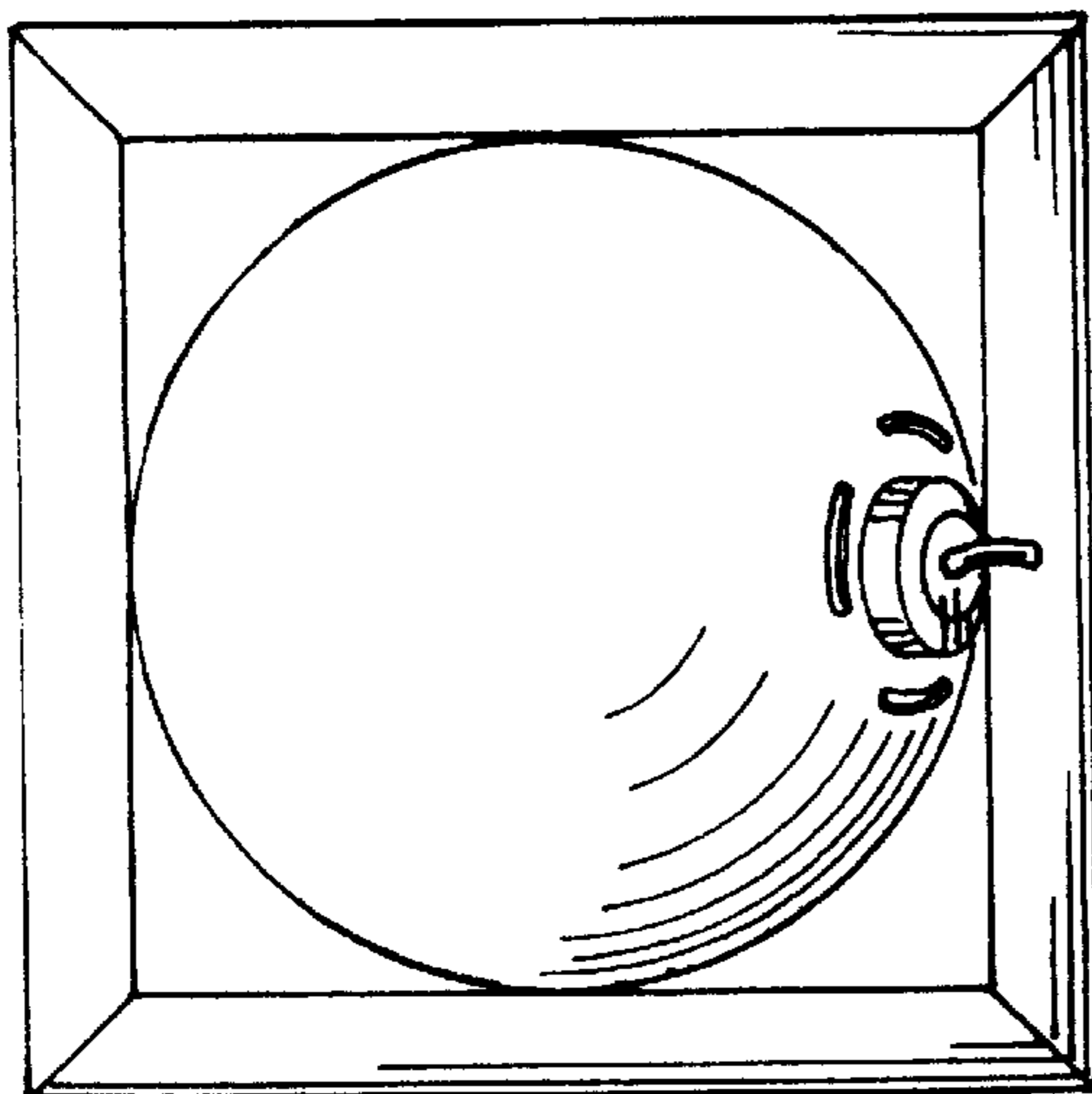
*Fig. 3*



*Fig. 5*



*Fig. 7*



*Fig. 6*