



US00D422689S

United States Patent [19] Yiu

[11] Patent Number: Des. 422,689

[45] Date of Patent: ** Apr. 11, 2000

[54] LABORATORY EVAPORATOR DEVICE

[76] Inventor: Felix H. Yiu, 17234 Bullock St.,
Encino, Calif. 91316

[**] Term: 14 Years

[21] Appl. No.: 29/110,521

[22] Filed: Sep. 7, 1999

[51] LOC (6) Cl. 23-04

[52] U.S. Cl. D23/355

[58] Field of Search D23/355, 356-363;
422/104, 285, 288, 308; 436/181

5,283,039	2/1994	Aysta	422/104
5,306,510	4/1994	Meltzer	422/104
5,514,336	5/1996	Fox	422/64
5,569,357	10/1996	Kuhn et al.	159/16.1
5,585,068	12/1996	Pantez et al.	422/64
5,598,933	2/1997	Lessard et al.	211/74
5,620,561	4/1997	Kuhn et al.	159/47.1
5,906,795	5/1999	Nakashima et al.	422/104

Primary Examiner—Lisa Lichtenstein
Attorney, Agent, or Firm—Cislo & Thomas LLP

[57] CLAIM

The ornamental design for a laboratory evaporator device, as shown and described.

DESCRIPTION

FIG. 1 is a perspective view of my laboratory evaporator device;
FIG. 2 is a front view thereof;
FIG. 3 is a right side elevational view thereof, with the left side elevational view being a substantial mirror image thereof;
FIG. 4 is a rear view thereof;
FIG. 5 is a top view thereof; and,
FIG. 6 is a bottom view thereof.

1 Claim, 6 Drawing Sheets

[56] References Cited

U.S. PATENT DOCUMENTS

3,977,935	8/1976	Kowarski	159/23
4,465,554	8/1984	Glass	159/16
4,642,220	2/1987	Björkman	422/101
4,704,255	11/1987	Jolley	422/101
4,707,452	11/1987	Friswell	436/177
5,005,981	4/1991	Schulte et al.	366/219
5,039,614	8/1991	Dekmezian et al.	436/43
5,100,623	3/1992	Friswell	422/68.1
5,108,603	4/1992	Schuette	210/321.72
5,260,028	11/1993	Astle	422/81

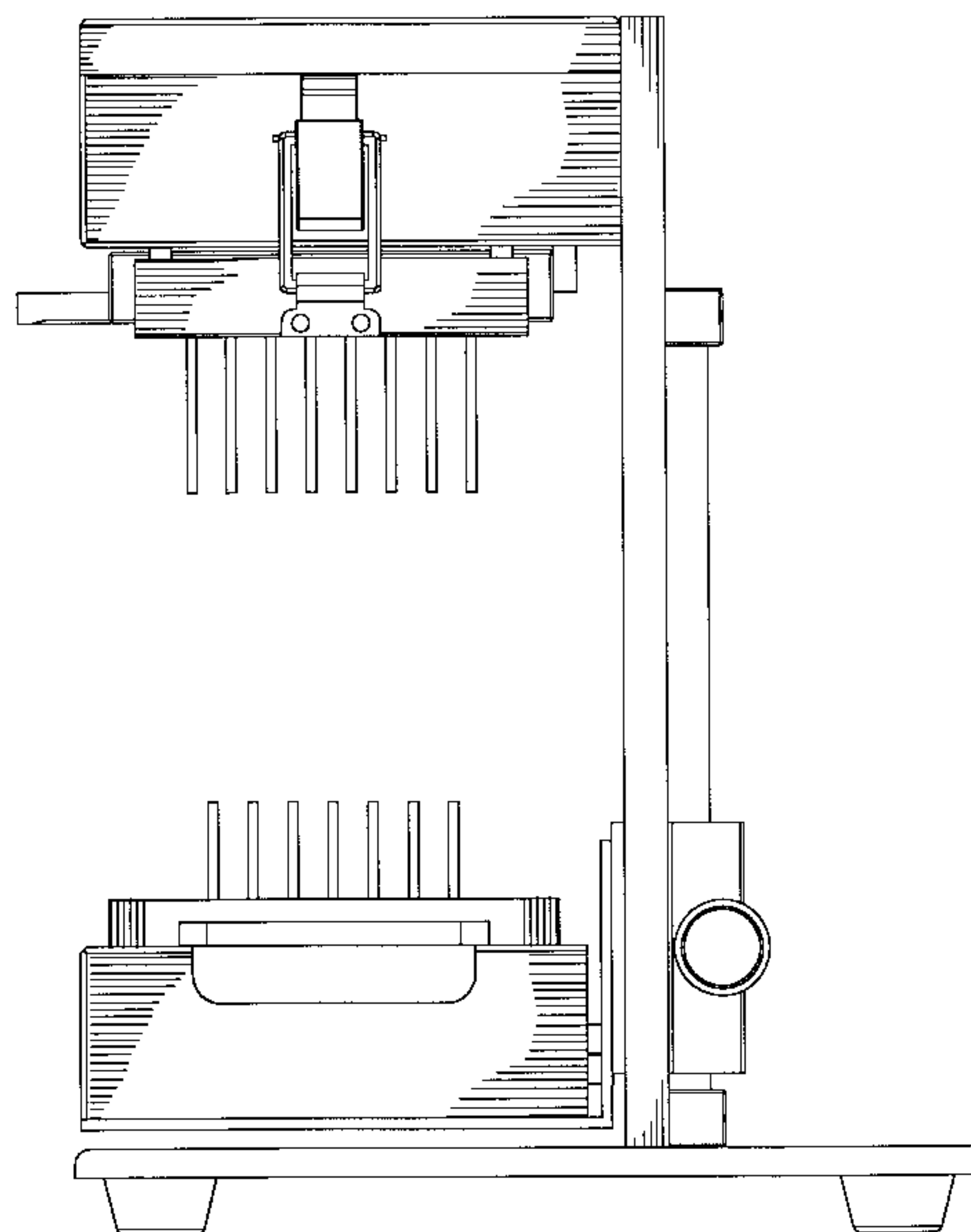
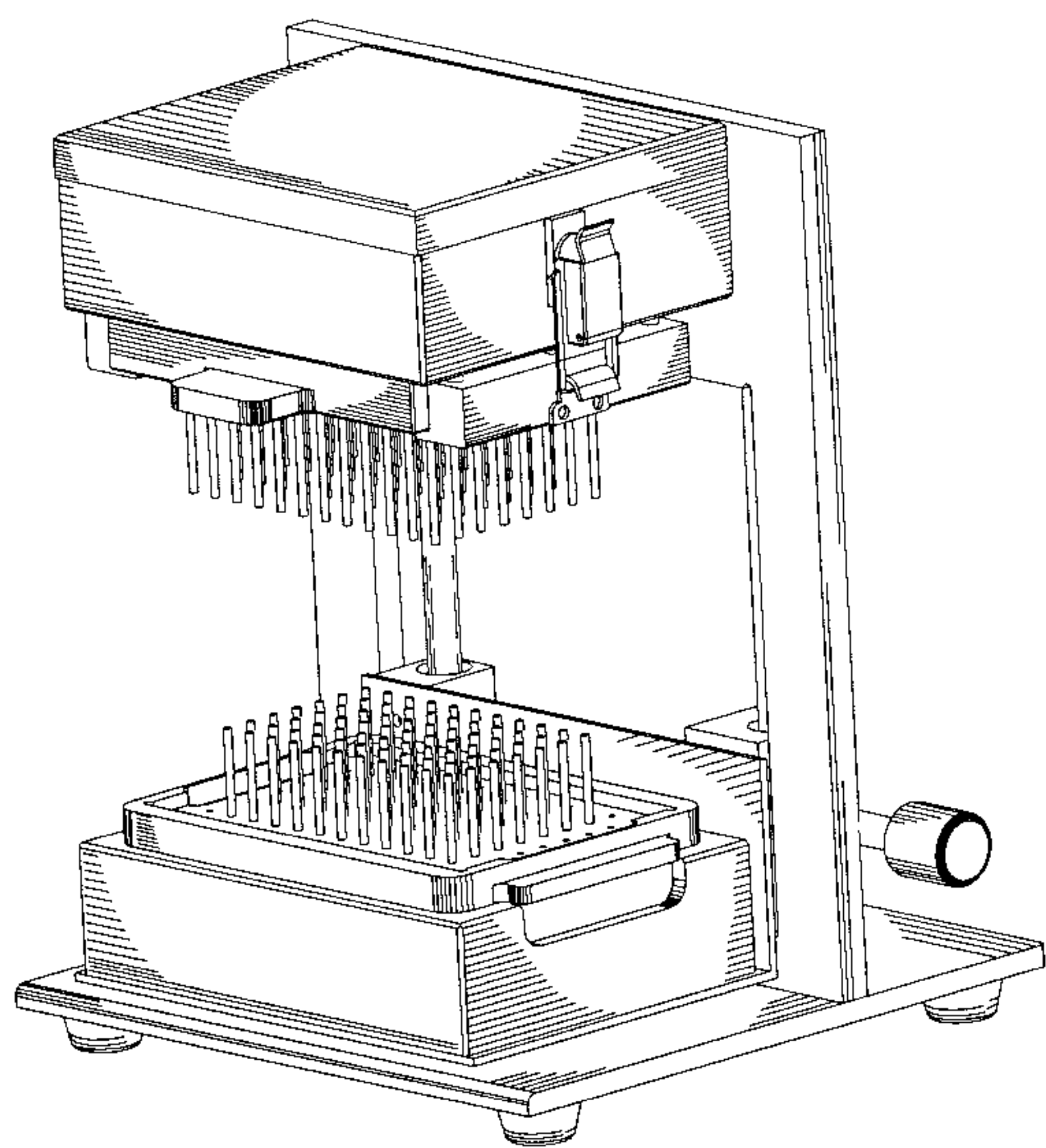


FIG. 1

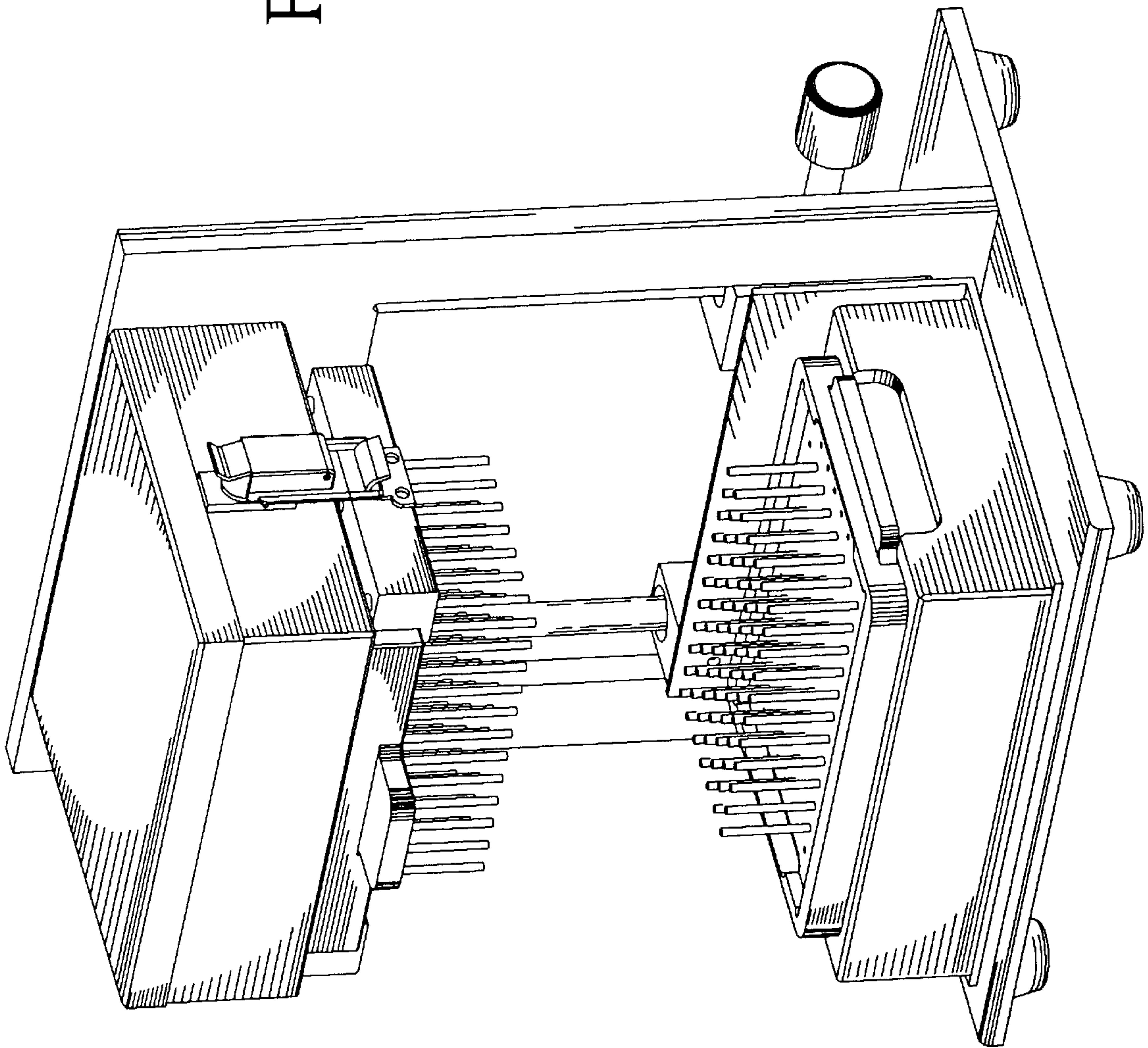


FIG. 2

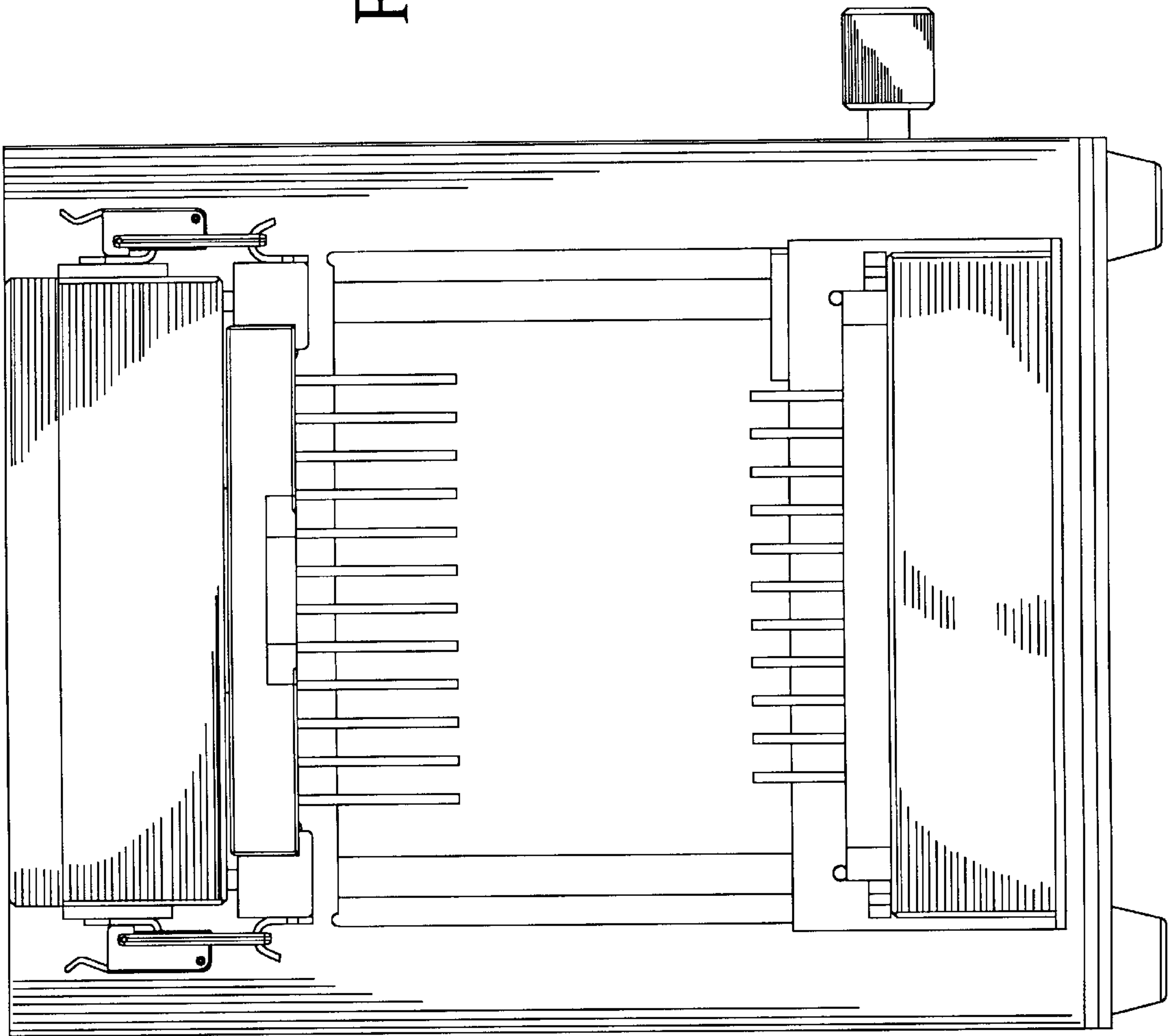


FIG. 3

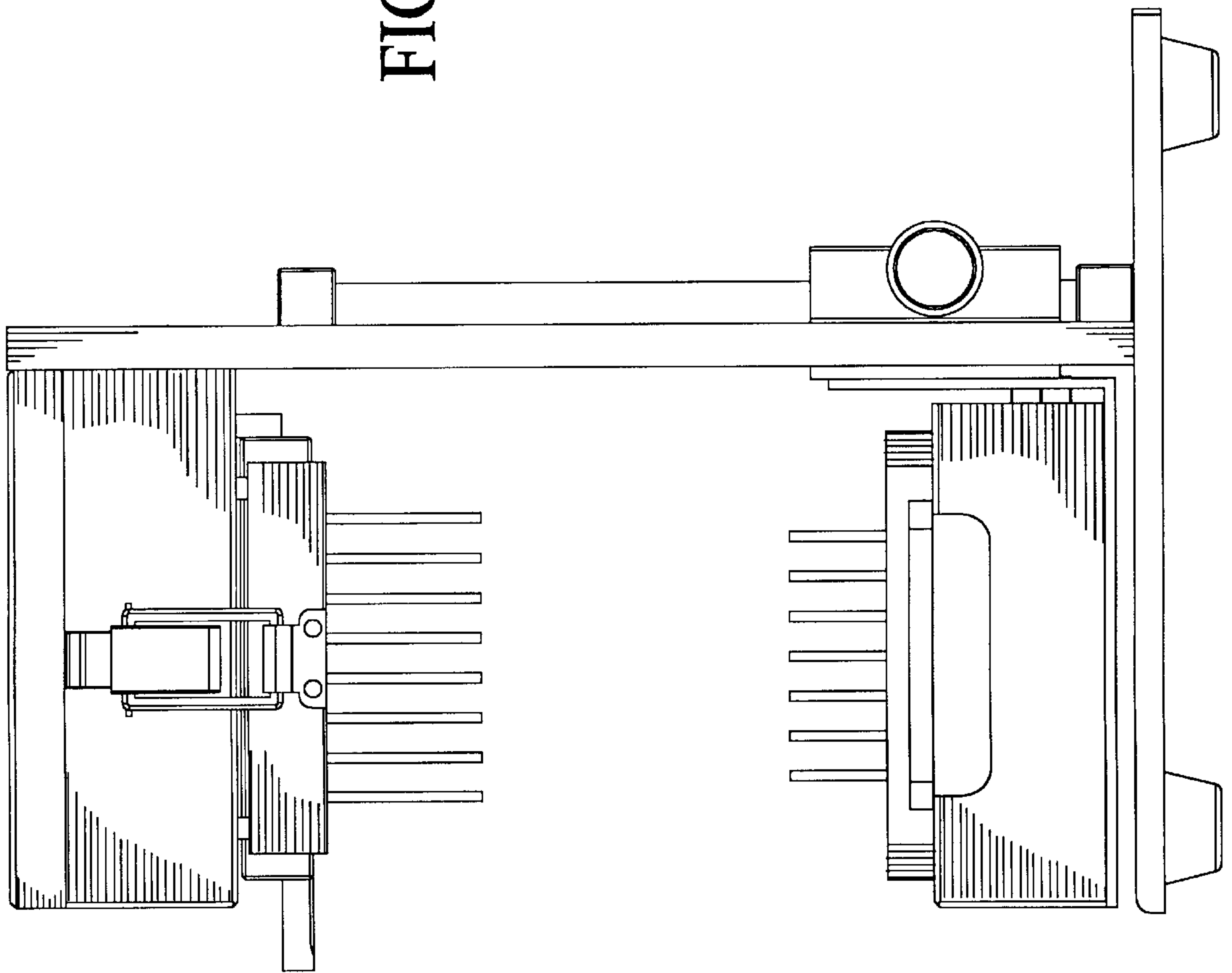


FIG. 4

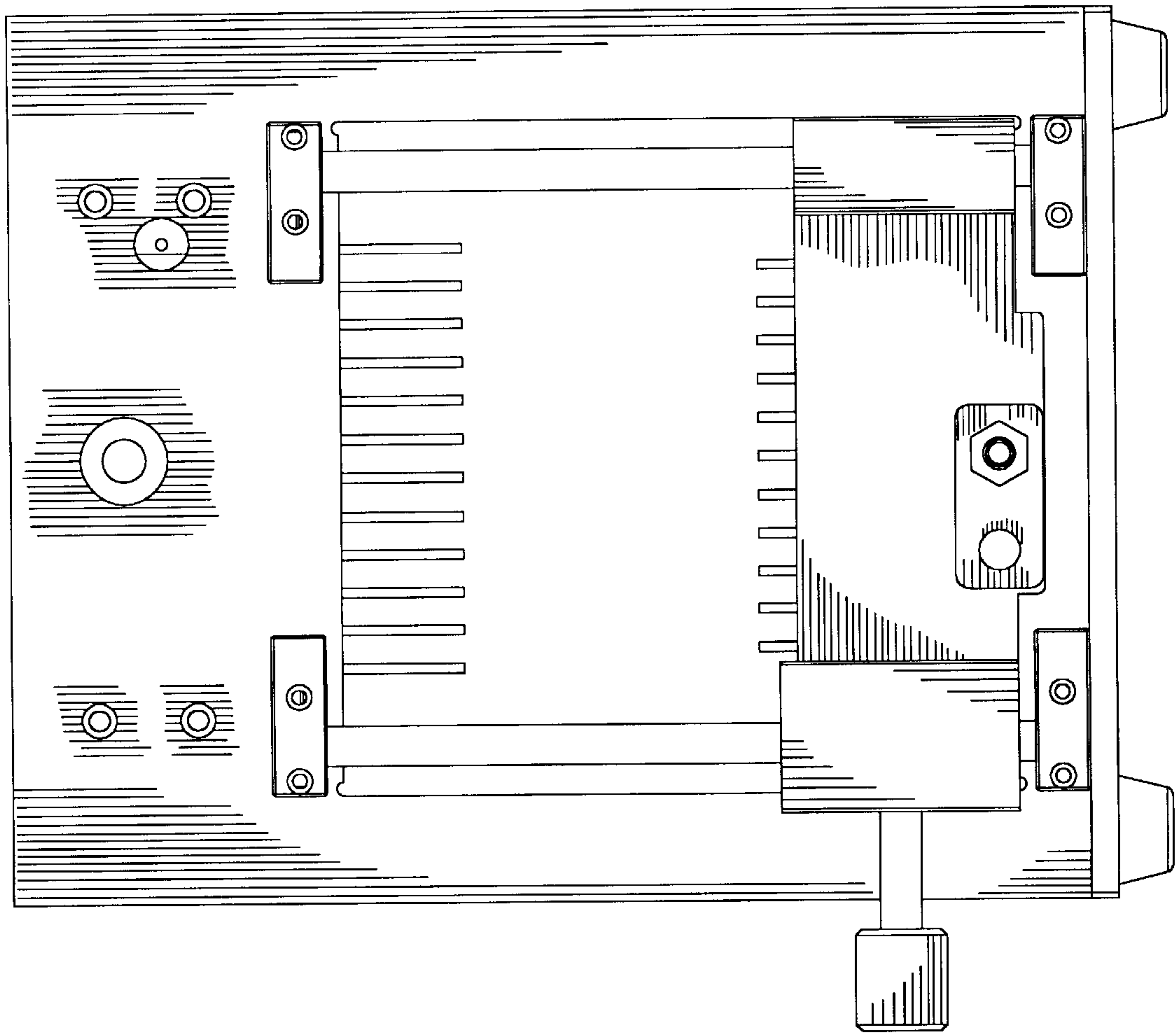


FIG. 5

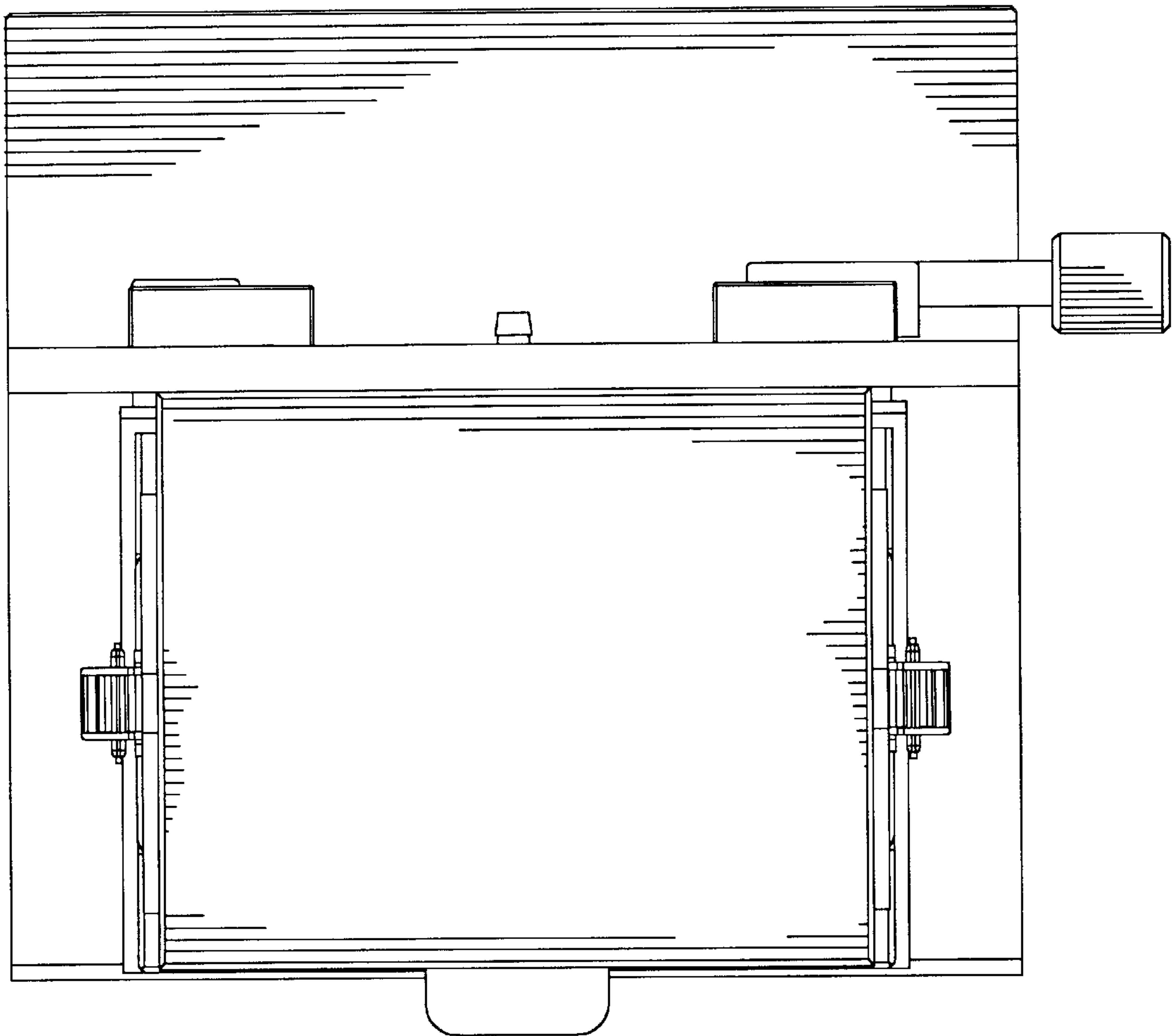


FIG. 6

