



US00D422688S

United States Patent [19] Hopps

[11] **Patent Number: Des. 422,688**

[45] **Date of Patent: ** Apr. 11, 2000**

[54] **TOILET SEAT HANDLE**

D. 406,884 3/1999 Goss D23/311

[76] Inventor: **John E Hopps**, 4495 Concession Road
#4 RR #1, Newtonville, Ontario,
Canada, L0A 1J0

Primary Examiner—Eric Watterson

[**] Term: **14 Years**

[57] **CLAIM**

The ornamental design for a toilet seat handle, as shown and described.

[21] Appl. No.: **29/107,027**

DESCRIPTION

[22] Filed: **Jun. 24, 1999**

FIG. 1 is a front elevational view of the toilet seat handle of the present invention;

[51] **LOC (6) Cl.** **23-02**

FIG. 2 is a rear elevational view of the toilet seat handle of FIG. 1;

[52] **U.S. Cl.** **D23/311**

FIG. 3 is a left side elevational view of the toilet seat handle of FIG. 1;

[58] **Field of Search** D23/303-311;
D8/307; 4/237, 234, 236, 240, 241, 246.1,
661

FIG. 4 is a right side elevational view of the toilet seat handle of FIG. 1;

[56] **References Cited**

U.S. PATENT DOCUMENTS

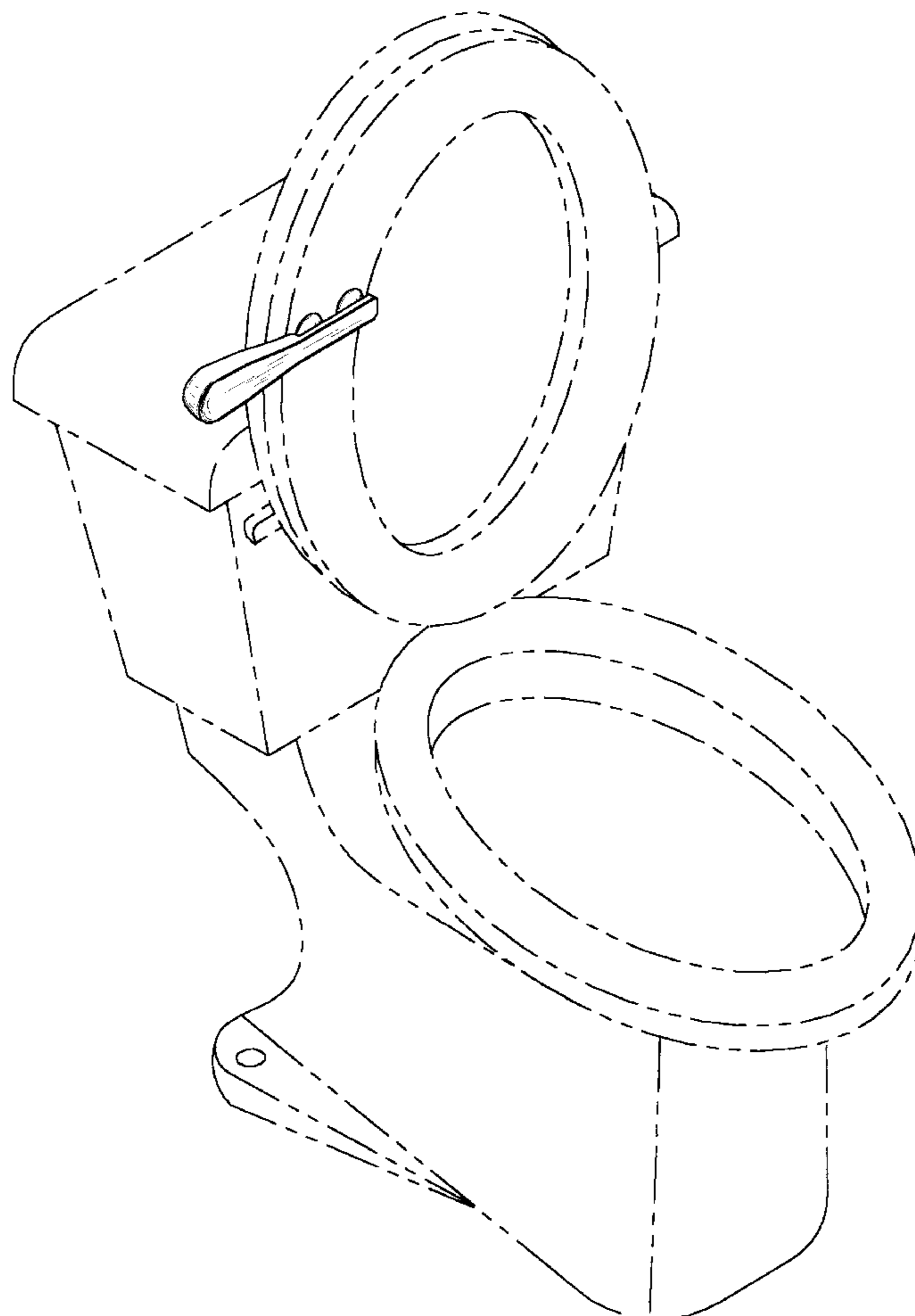
D. 273,128	3/1984	Roddick	D8/307
D. 372,965	8/1996	Villeneuve	D23/311
D. 391,467	3/1998	Cooke	D8/307
D. 395,041	6/1998	Leveridge et al.	D14/113
D. 395,489	6/1998	Abusaad	D23/311
D. 398,041	9/1998	Kitt	D23/311
D. 399,937	10/1998	Earleywine	D23/311

FIG. 5 is a top plan view of the toilet seat handle of FIG. 1;
FIG. 6 is a bottom plan view of the toilet seat handle of FIG. 1; and,

FIG. 7 is a bottom, front, left side perspective view of the toilet seat handle of FIG. 1 in use.

The broken lines showing of a toilet bowl in FIG. 7 are for illustrative purposes only and form no part of the claimed design.

1 Claim, 2 Drawing Sheets



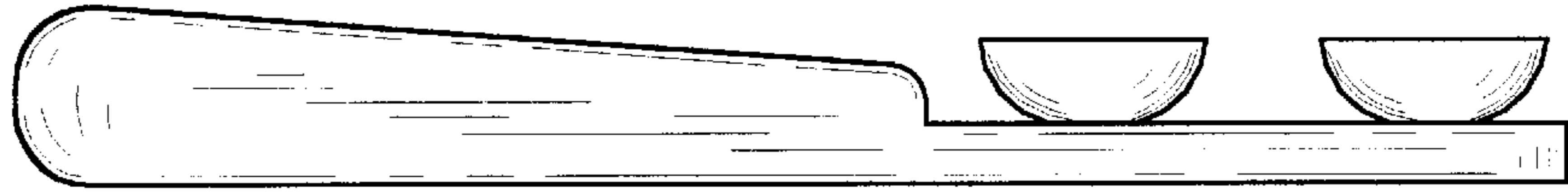


Fig. 1

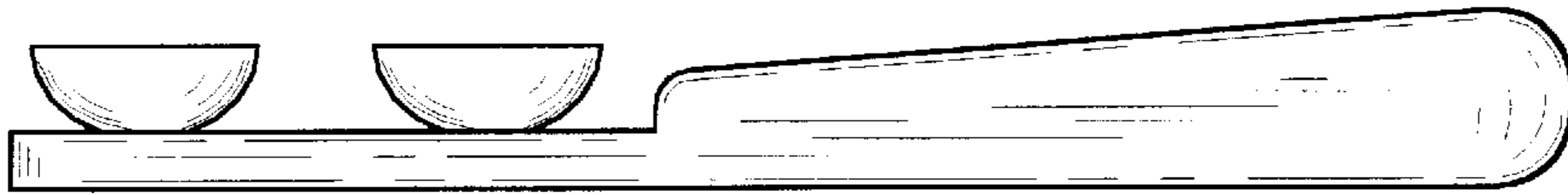


Fig. 2



Fig. 3

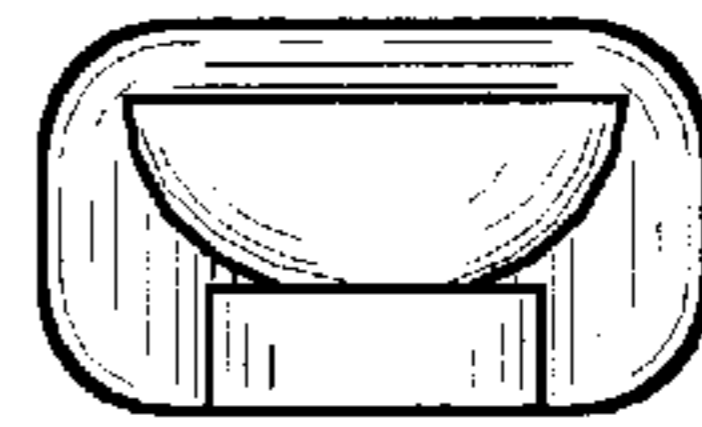


Fig. 4

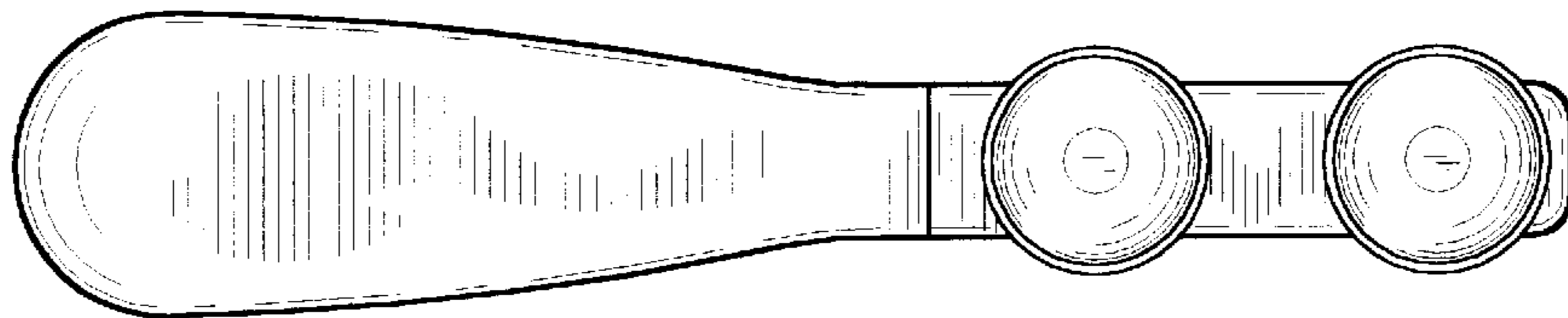


Fig. 5

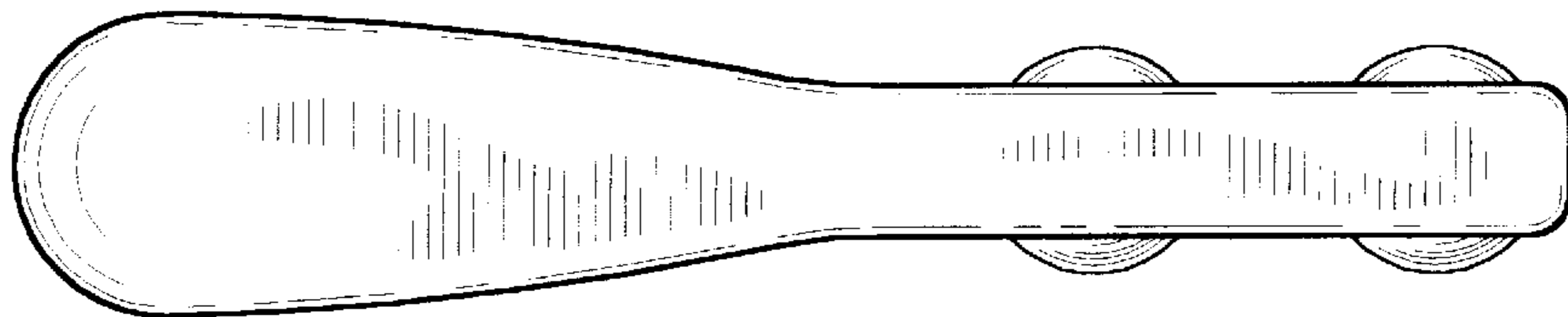


Fig. 6

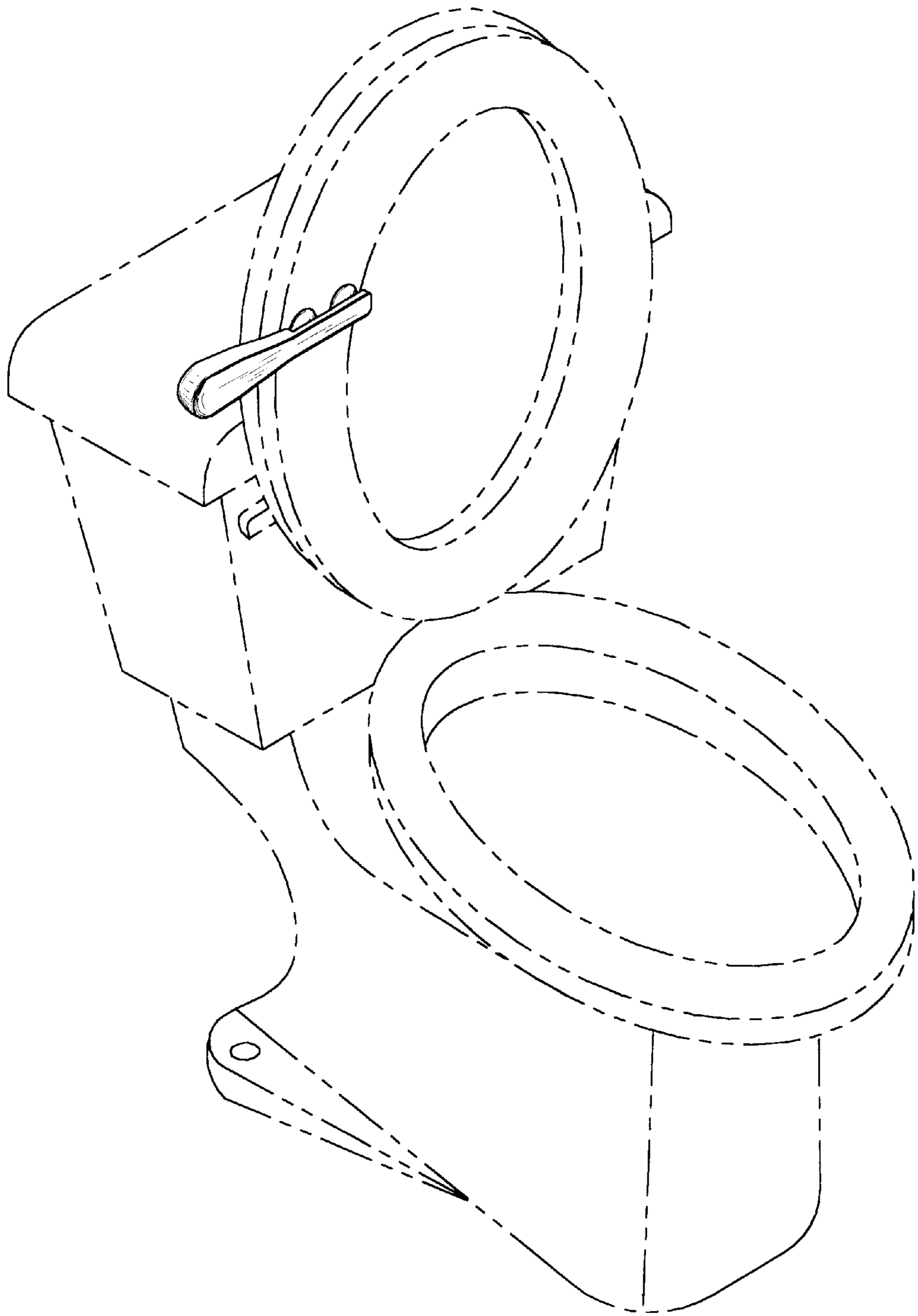


Fig. 7