



US00D422687S

United States Patent [19]
Livingston-Capoano

[11] **Patent Number: Des. 422,687**

[45] **Date of Patent: ** Apr. 11, 2000**

[54] **FOOT SUPPORT FOR SHOWERS**

[76] Inventor: **Barbara Livingston-Capoano**, 381 Squankum Yellow Brick Rd., Farmingdale, N.J. 07727

[**] Term: **14 Years**

[21] Appl. No.: **29/068,093**

[22] Filed: **Jan. 31, 1997**

[51] **LOC (6) Cl.** **23-02**

[52] **U.S. Cl.** **D23/304**

[58] **Field of Search** D23/303-311;
4/574.1, 610, 558, 608, 609

[56] **References Cited**

U.S. PATENT DOCUMENTS

D. 284,689	7/1986	King et al.	D23/304 X
D. 340,508	10/1993	Hocker	D23/304
D. 351,647	10/1994	Sultzbaugh	D23/304
5,228,151	7/1993	Livingston-Capoano	4/574.1

Primary Examiner—Eric Watterson
Attorney, Agent, or Firm—Charles I. Brodsky

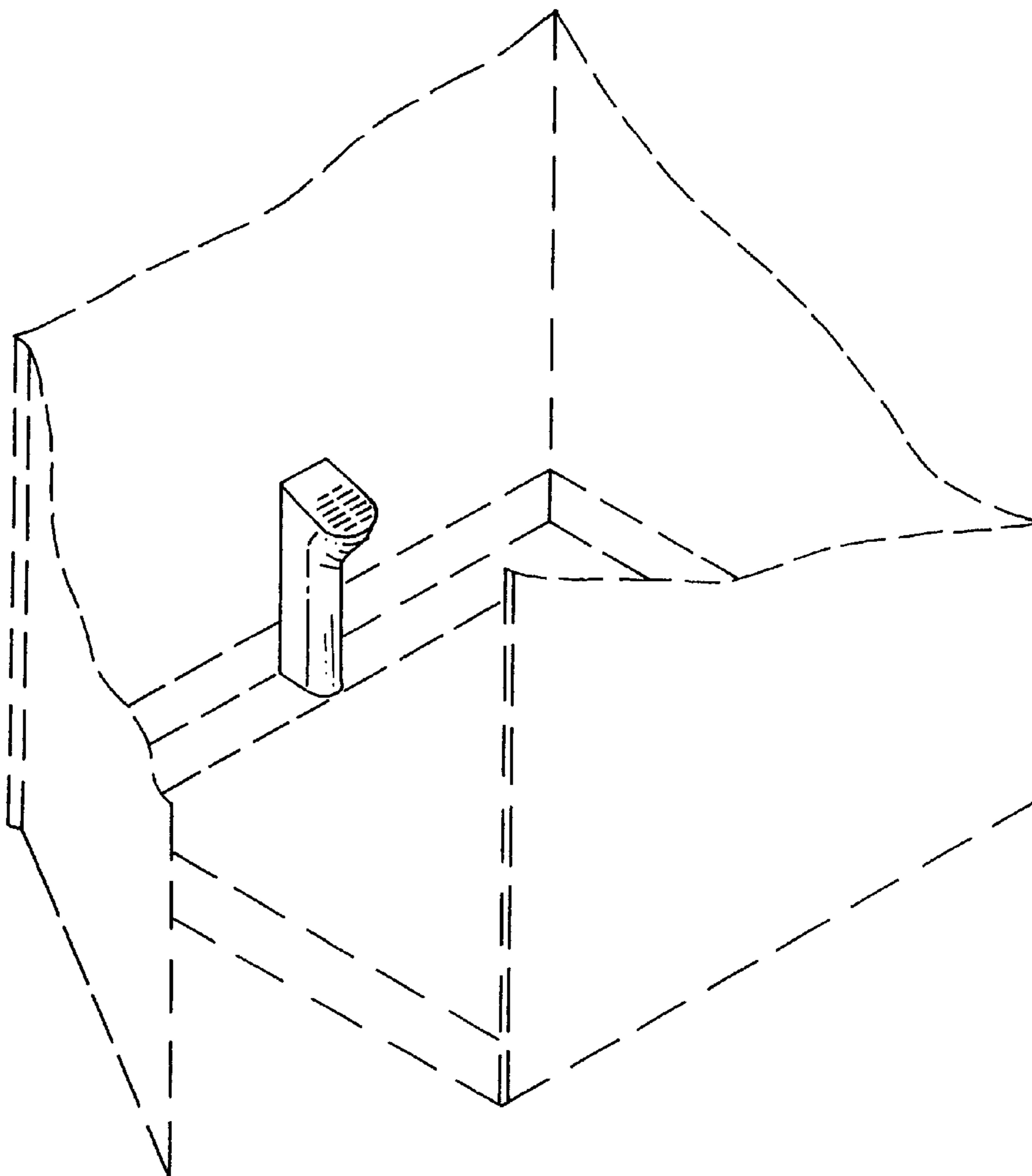
[57] **CLAIM**

An ornamental design for a foot support for showers, as shown.

DESCRIPTION

FIG. 1 is a perspective view of a foot support for showers, showing my new design;
FIG. 2 is a perspective view of the foot support for showers.
FIG. 3 is a top view of the foot support for showers.
FIG. 4 is a side view of the foot support for showers.
FIG. 5 is a front view of the foot support for showers.
FIG. 6 is a side view of the foot support for showers.
FIG. 7 is a rear view of the foot support for showers; and,
FIG. 8 is a bottom view of the foot support for showers.
The broken line showing of the bathtub is for illustrative purposes only and forms no part of the claimed design.

1 Claim, 3 Drawing Sheets



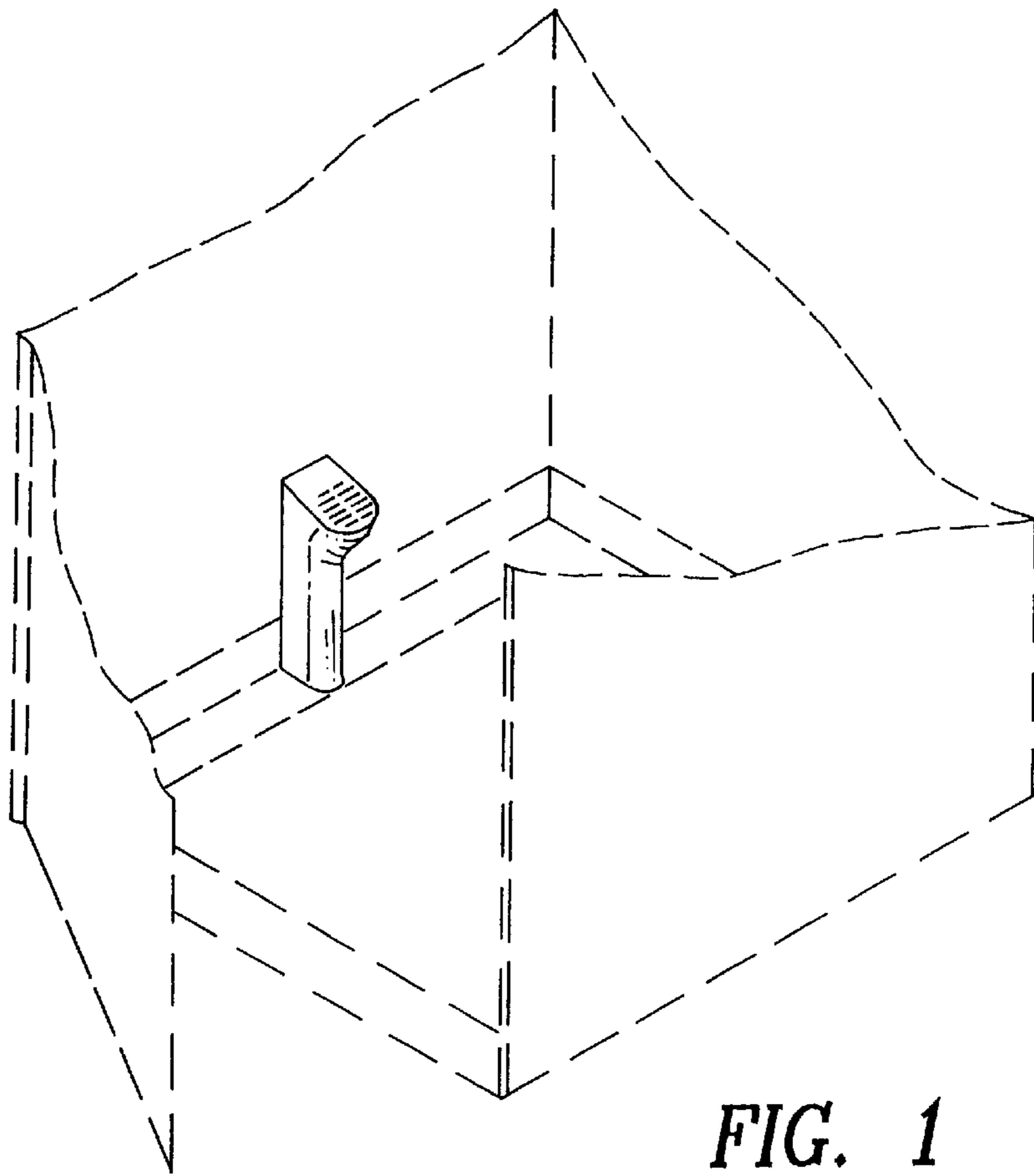


FIG. 1

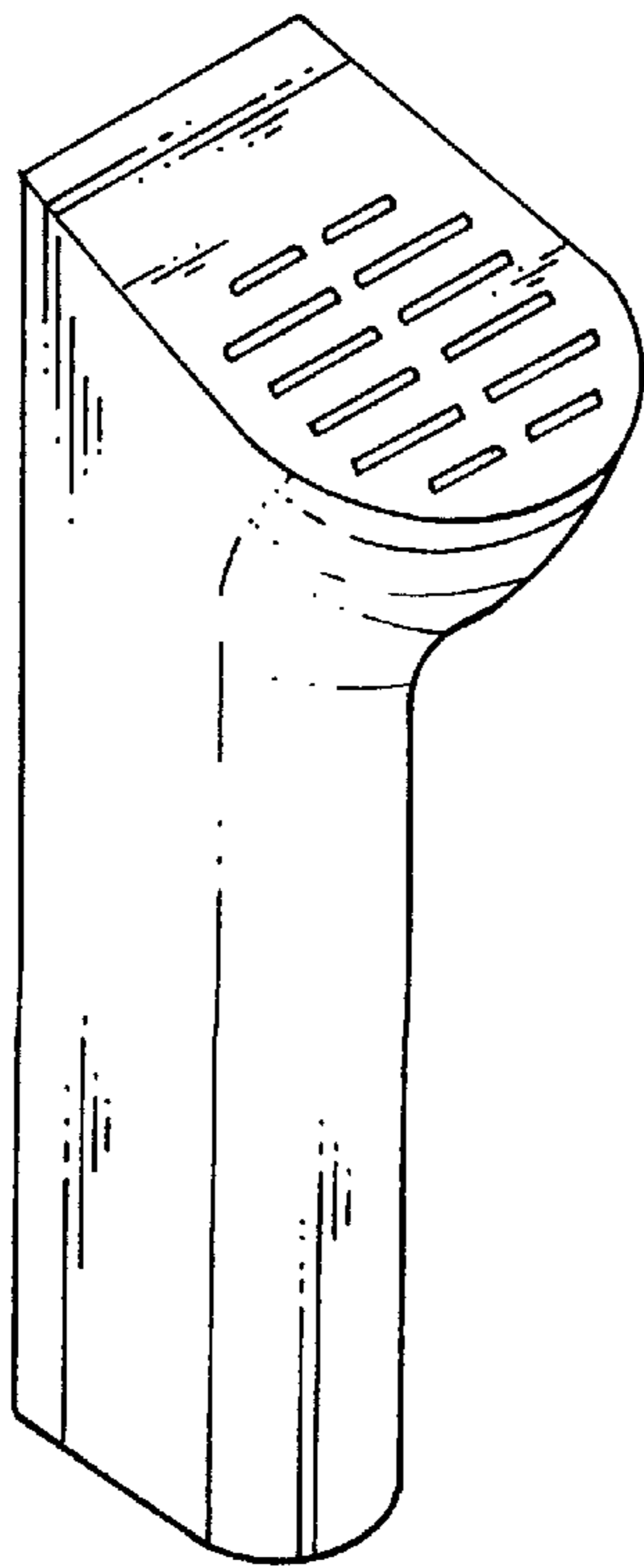


FIG. 2

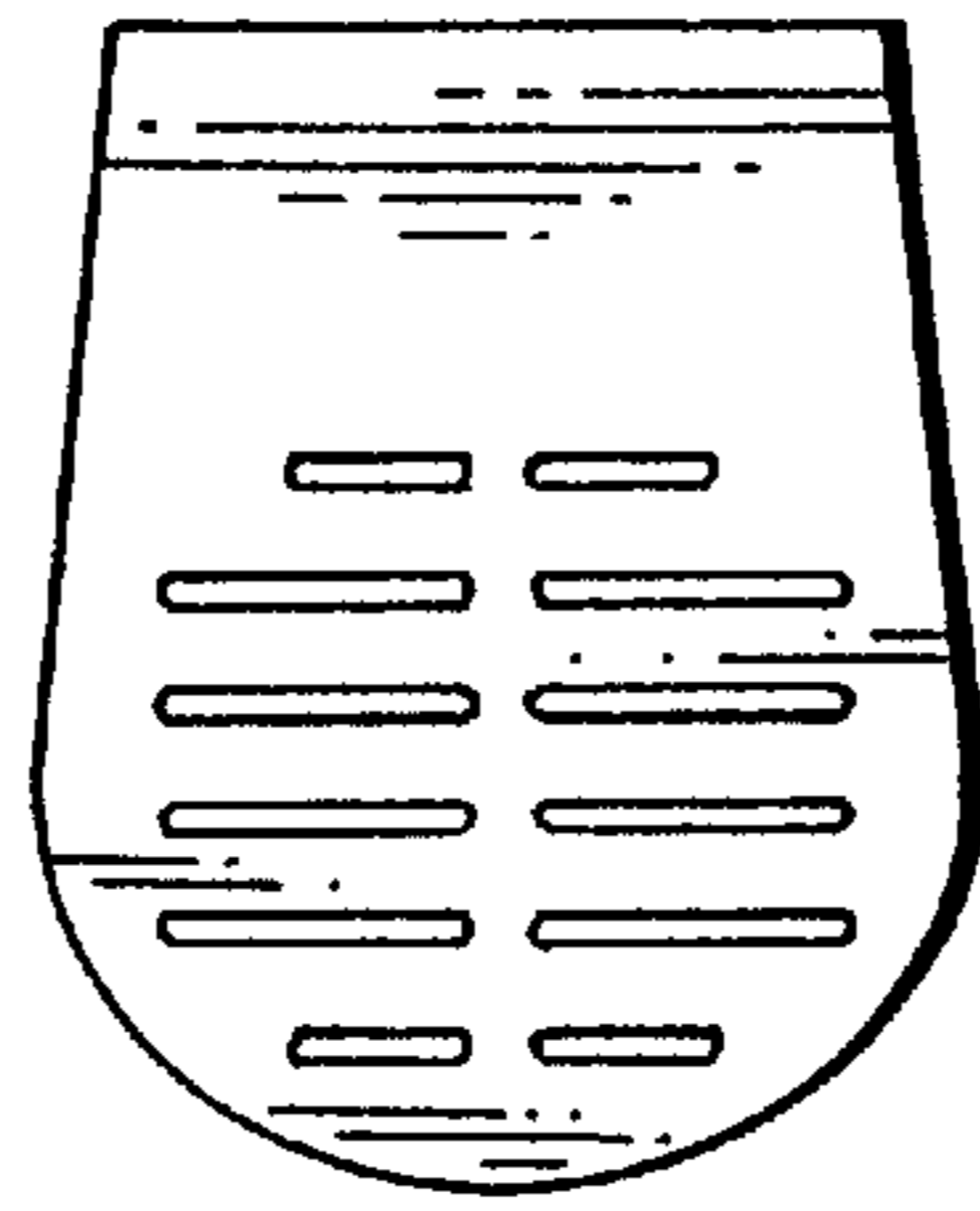


FIG. 3

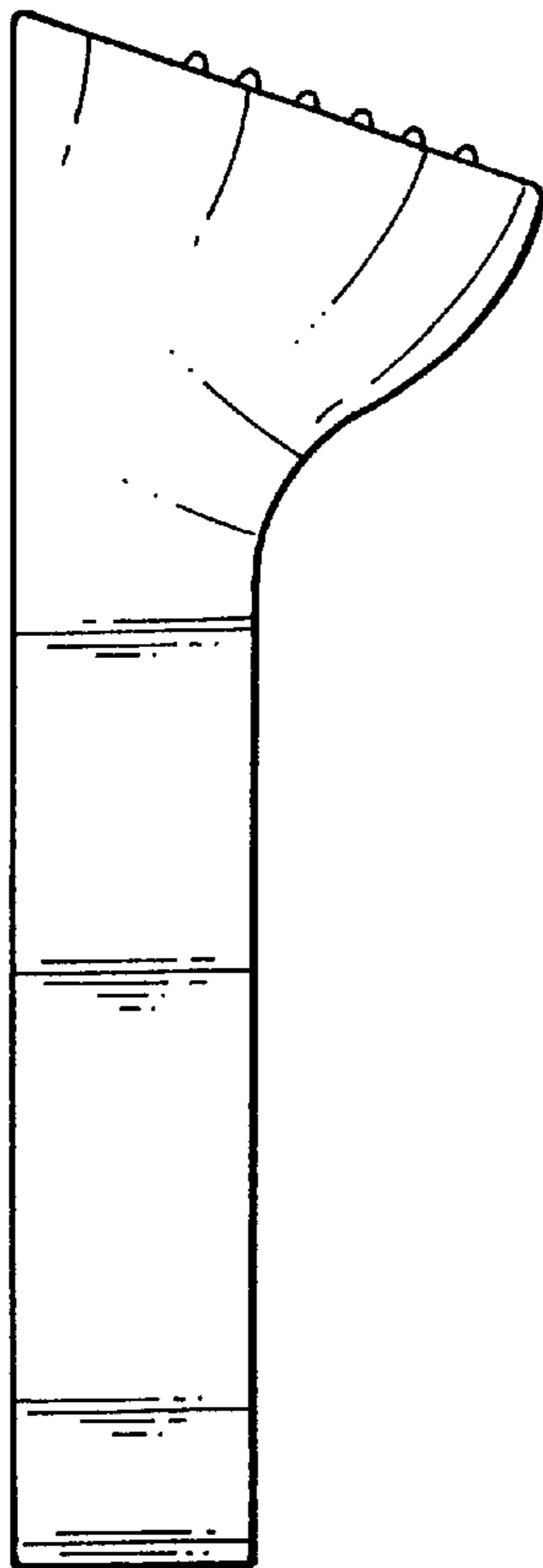


FIG. 4

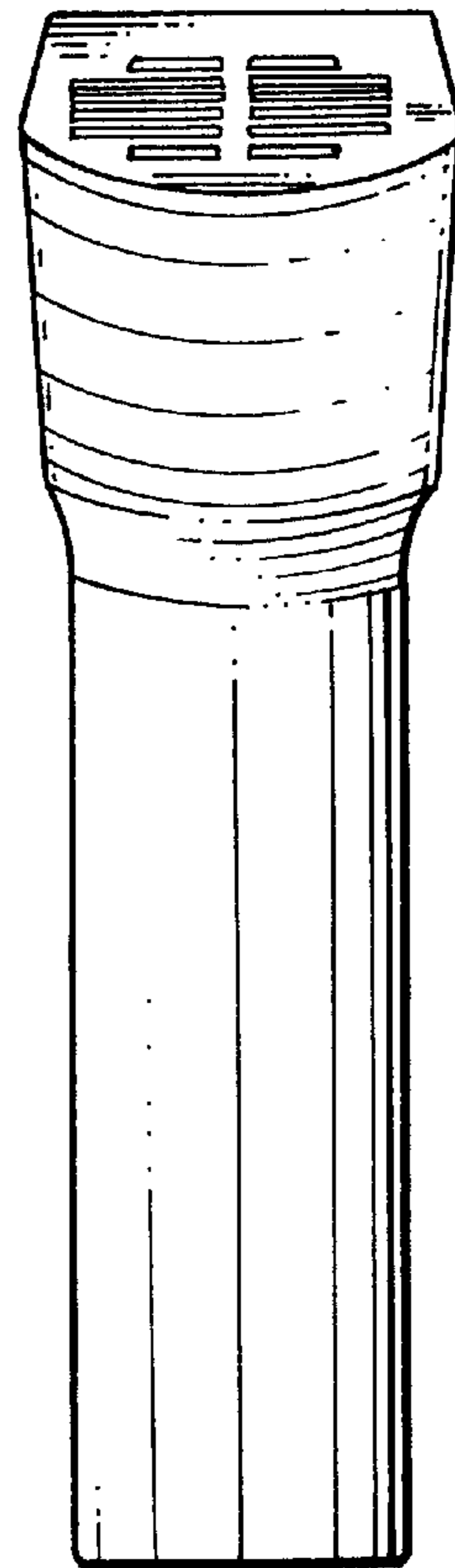


FIG. 5

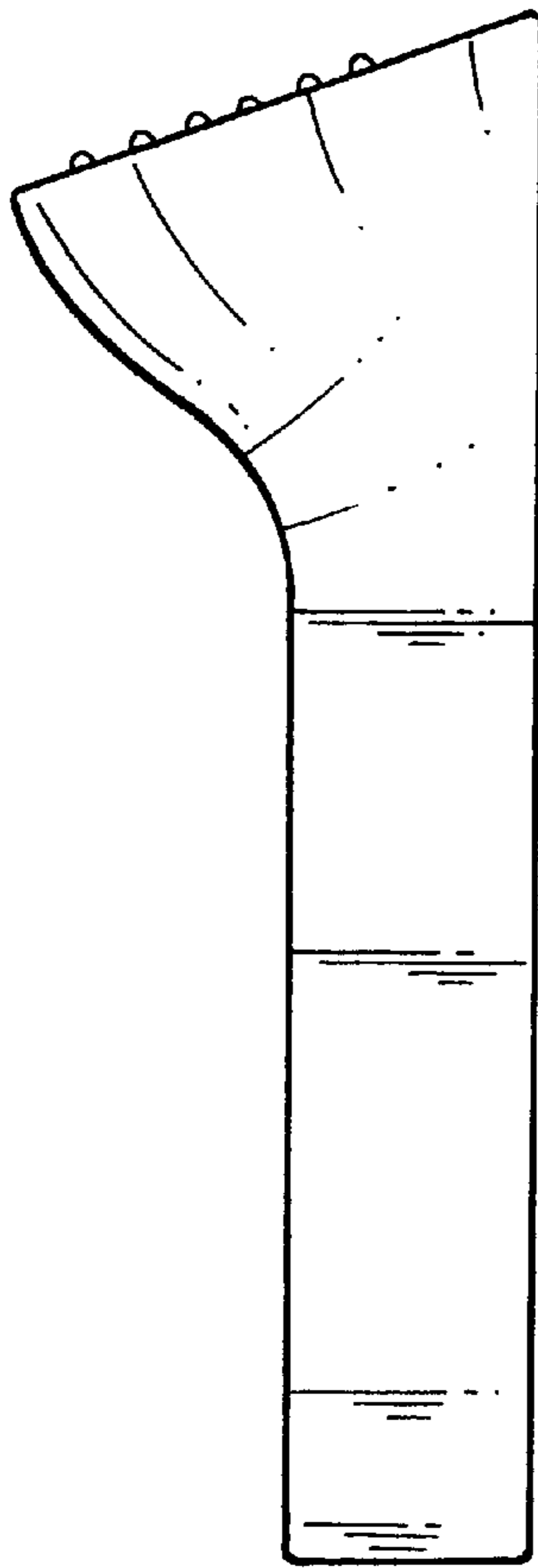


FIG. 6

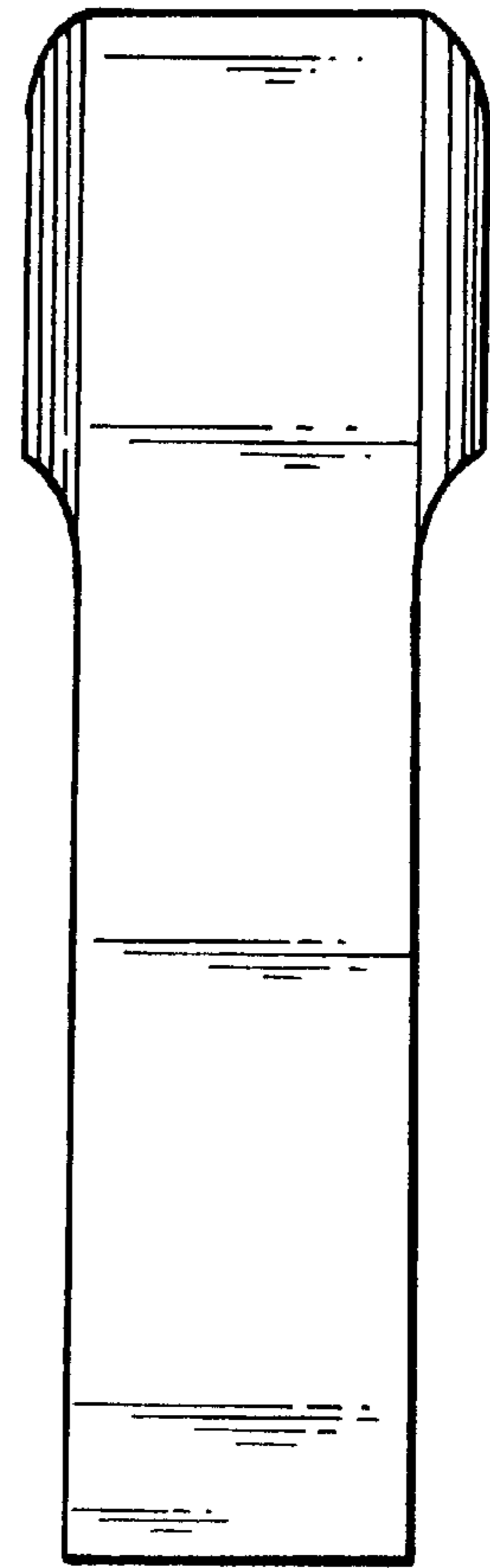


FIG. 7

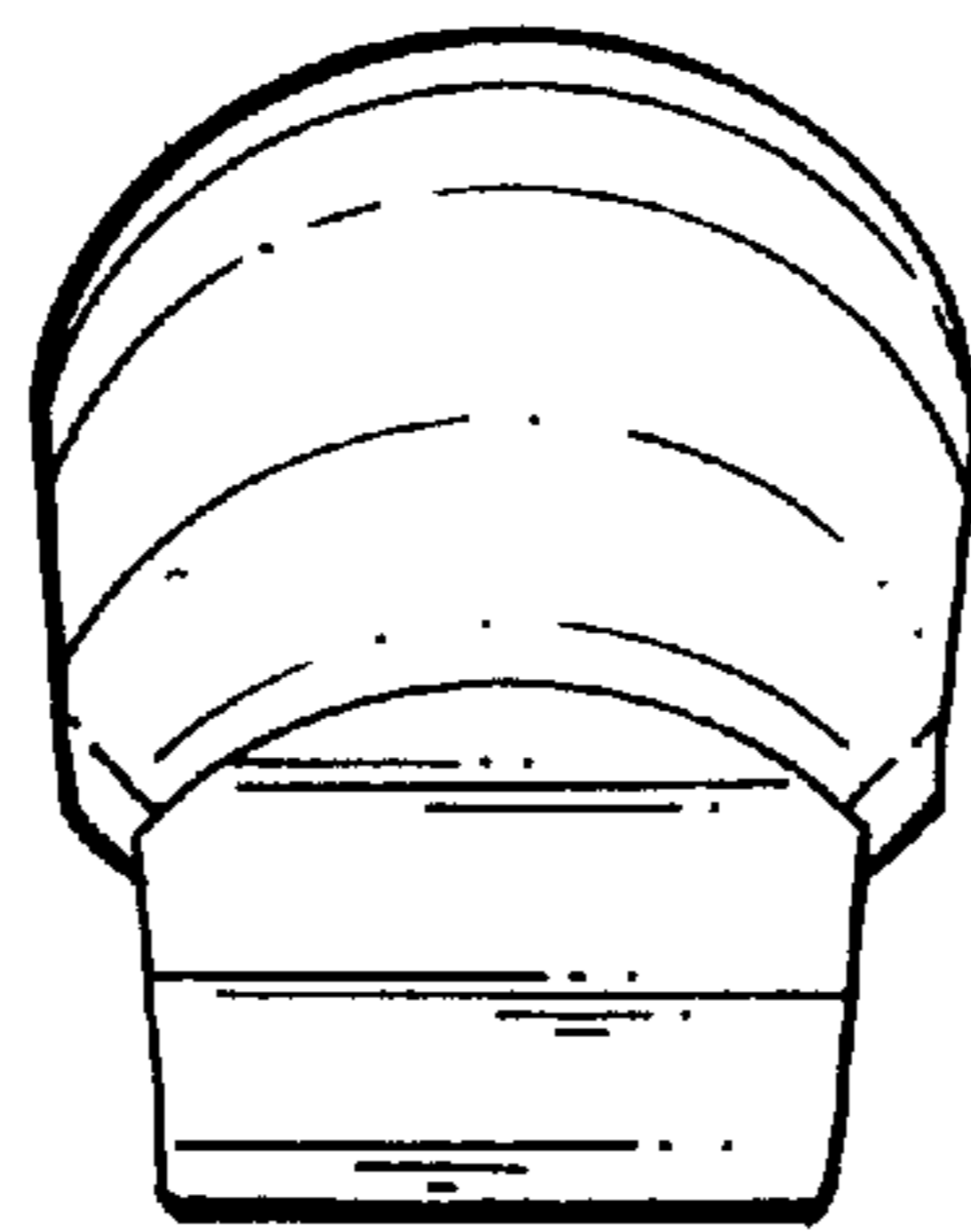


FIG. 8