



US00D422685S

United States Patent [19] Kopf

[11] Patent Number: Des. 422,685

[45] Date of Patent: ** *Apr. 11, 2000

[54] **FOUR-WAY SPIDER FITTING FOR A FILTER SYSTEM**

[76] Inventor: **Henry B. Kopf**, 108 Coatbridge Cir., Cary, N.C. 27511

[*] Notice: This patent is subject to a terminal disclaimer.

[**] Term: **14 Years**

[21] Appl. No.: **29/077,288**

[22] Filed: **Oct. 1, 1997**

[51] **LOC (6) Cl.** **23-01**

[52] **U.S. Cl.** **D23/259**

[58] **Field of Search** D23/209, 233, D23/247, 259, 262, 263; D26/144; D6/366, 498; 137/625.11, 625.16, 625.47; 210/433.1, 435; 285/130.1

[56] **References Cited**

U.S. PATENT DOCUMENTS

D. 316,740	5/1991	Kopf	D23/209
790,313	5/1905	Redman	48/170
1,814,907	7/1931	Dugan	137/625.11
3,473,550	10/1969	Van Scoy et al.	137/268
3,774,604	11/1973	Danielsson	604/169
3,834,372	9/1974	Turney	600/561
5,288,290	2/1994	Brody	604/32
5,342,517	8/1994	Kopf	.	
5,540,668	7/1996	Wilson, Jr. et al.	604/248

OTHER PUBLICATIONS

A/G Technology Corporation Brochure "Ultrafiltration—Microfiltration—Gas Separation".

Pall Corporation Brochure—Microza SP Series "Ultrafiltration Modules".

Pall Corporation Brochure "Ultrafiltration for the Pharmaceutical and Bioprocessing Industries".

Primary Examiner—Alan P. Douglas

Assistant Examiner—Reid Hecker

Attorney, Agent, or Firm—Steven J. Hultquist

[57] **CLAIM**

The ornamental design for a four-way spider fitting for a filter system, as shown and described.

DESCRIPTION

FIG. 1 is a perspective view of a four-way spider fitting for a filter system, according to the present invention.

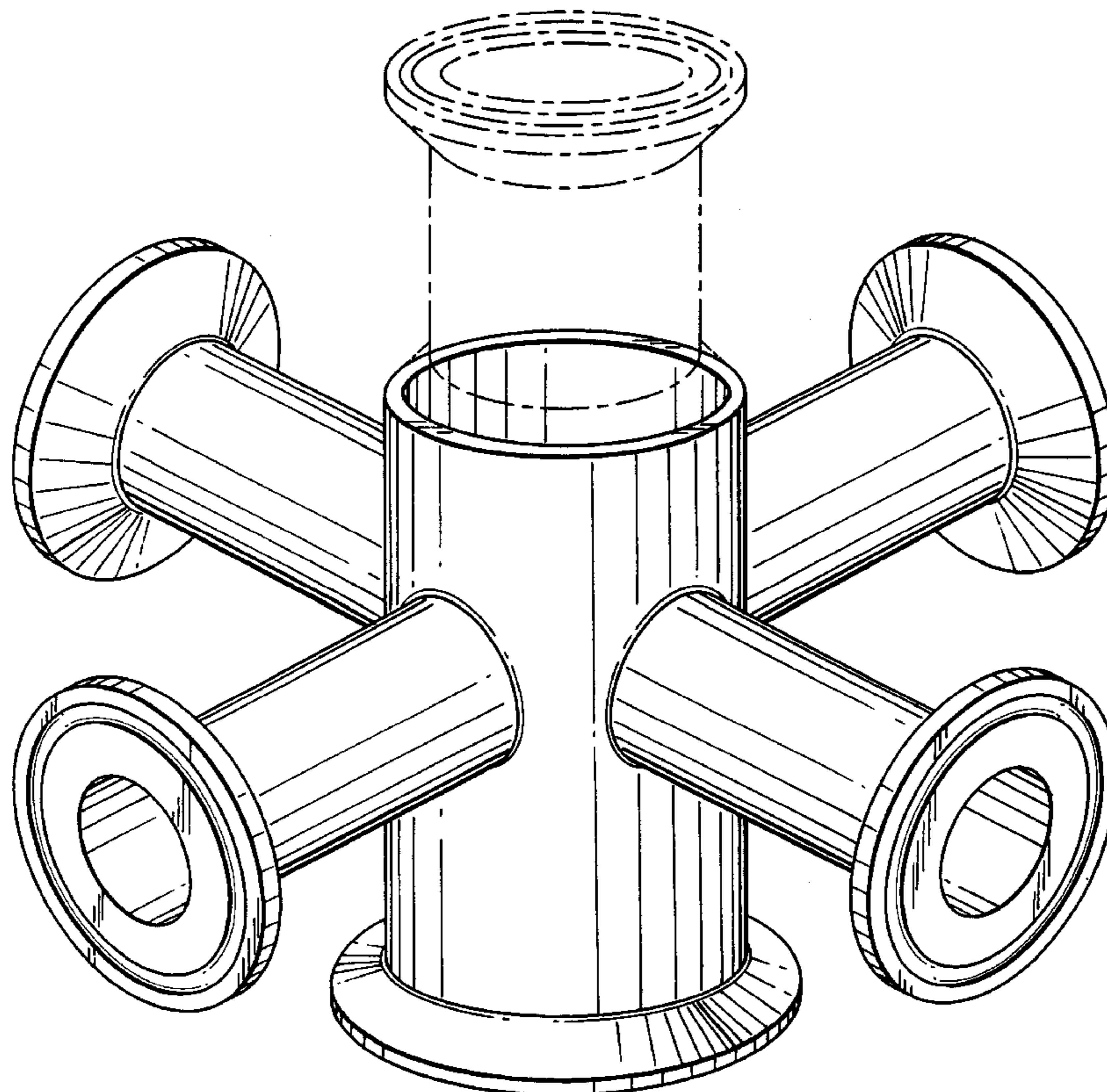
FIG. 2 is a top plan view of the four-way spider fitting for a filter system.

FIG. 3 is a bottom plan view of the four-way spider fitting for a filter system; and,

FIG. 4 is a front elevation view of the four-way spider fitting for a filter system, the fitting having a symmetrical opposite rear elevation appearance, and a similar appearance in side elevation view at a view point 90° from that shown in FIG. 4.

The broken line showing of environment in the drawings is for illustrative purposes only and forms no part of the claimed design.

1 Claim, 4 Drawing Sheets



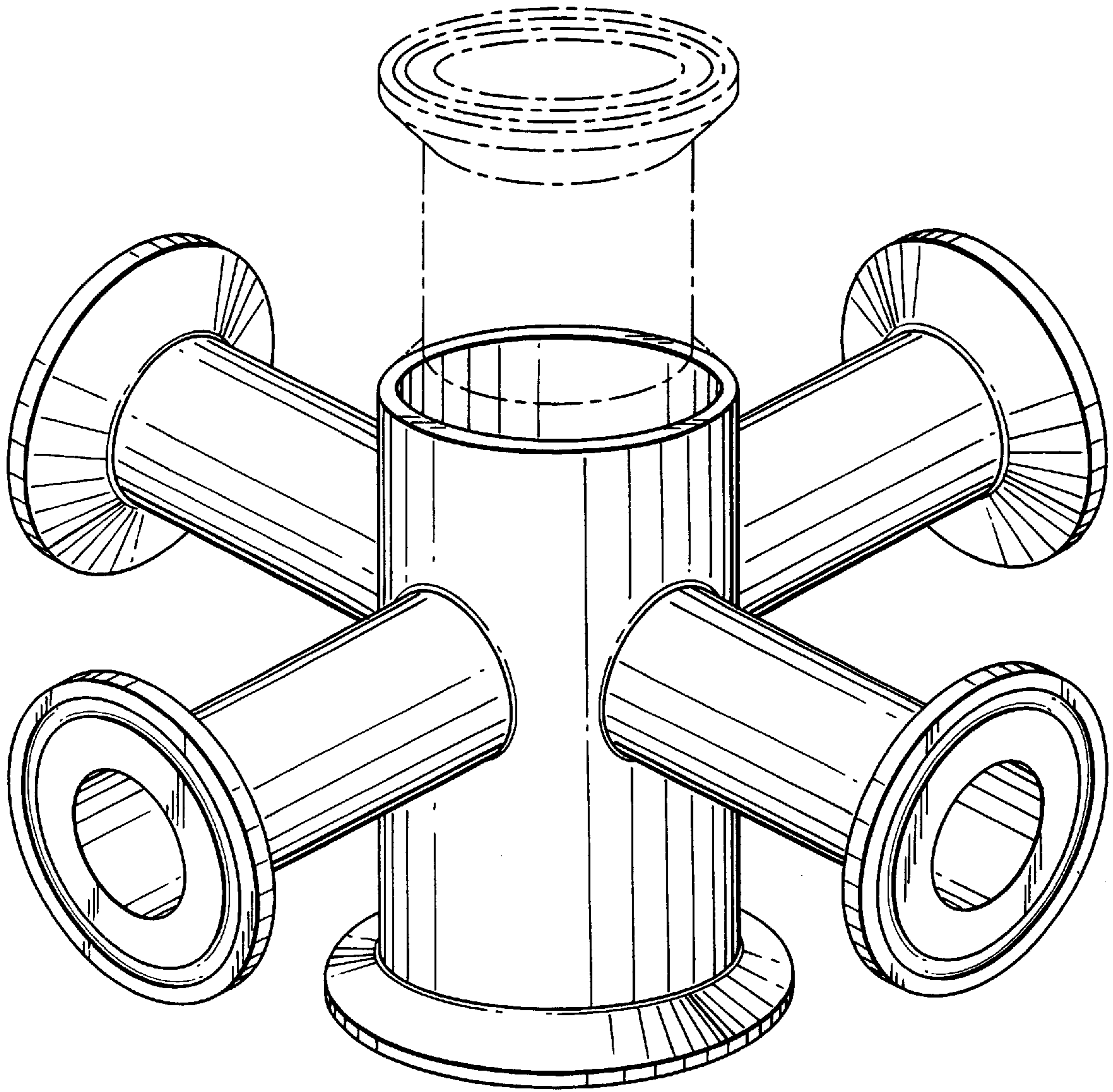


FIG. 1

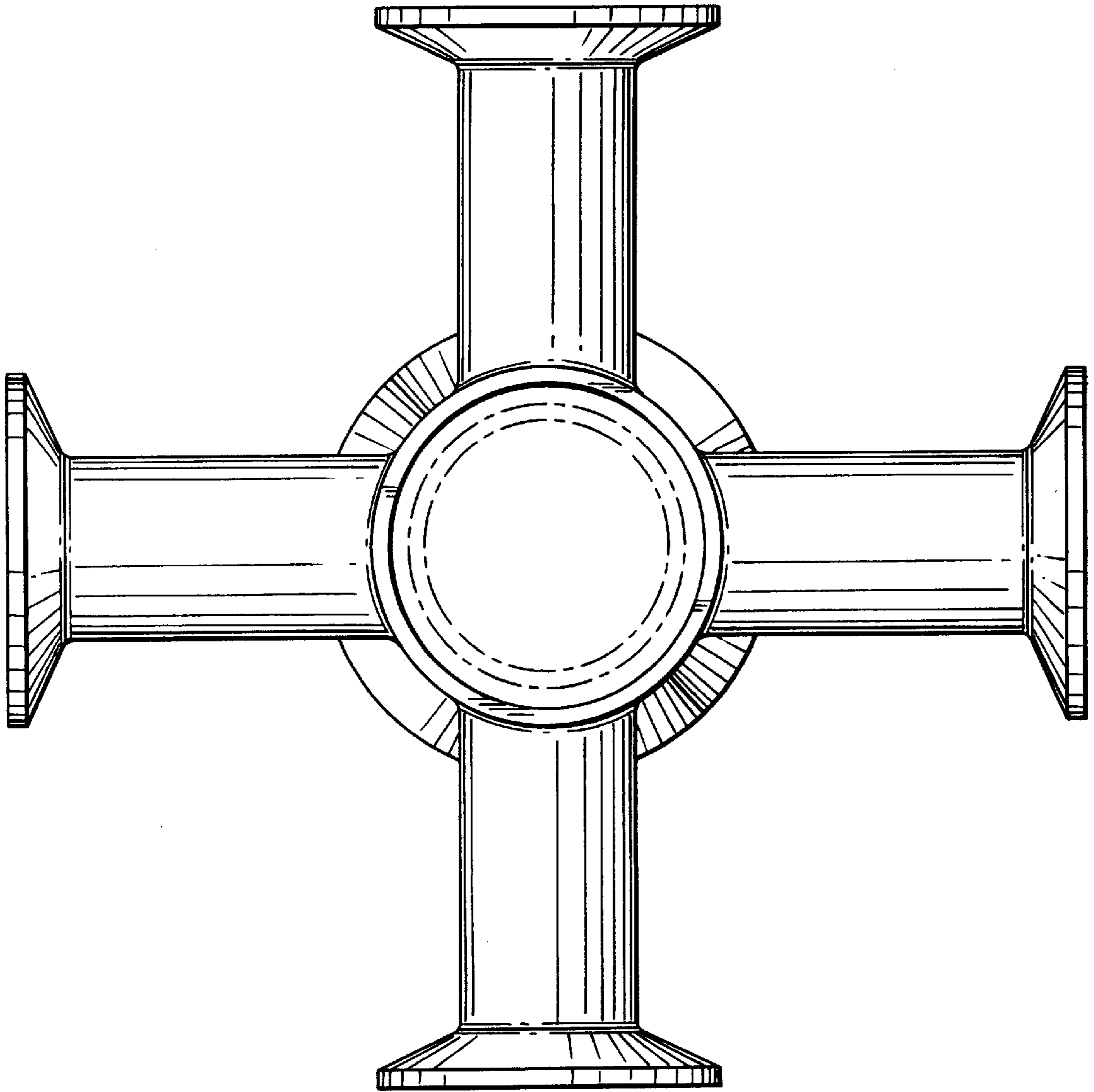


FIG.2

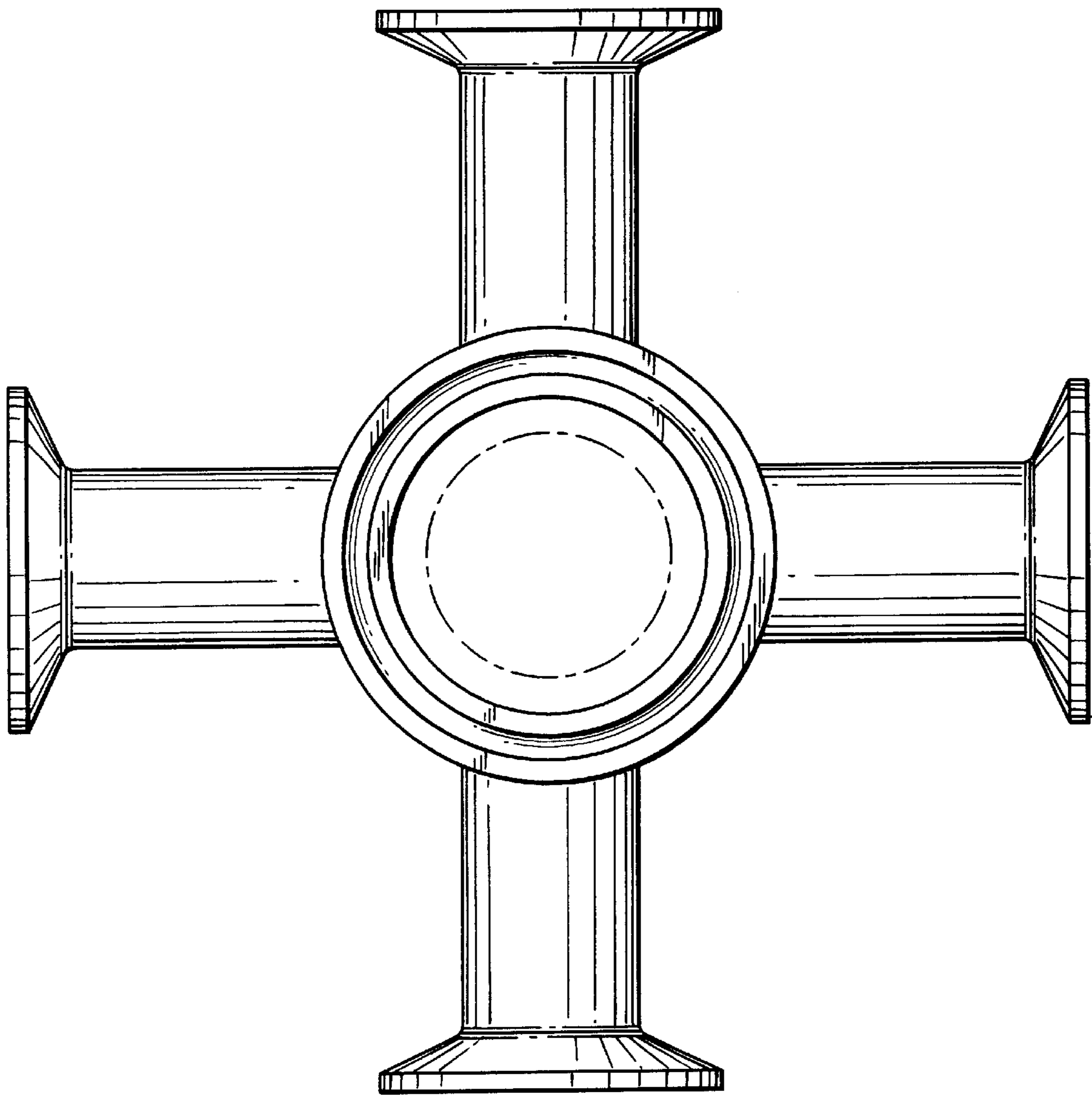


FIG.3

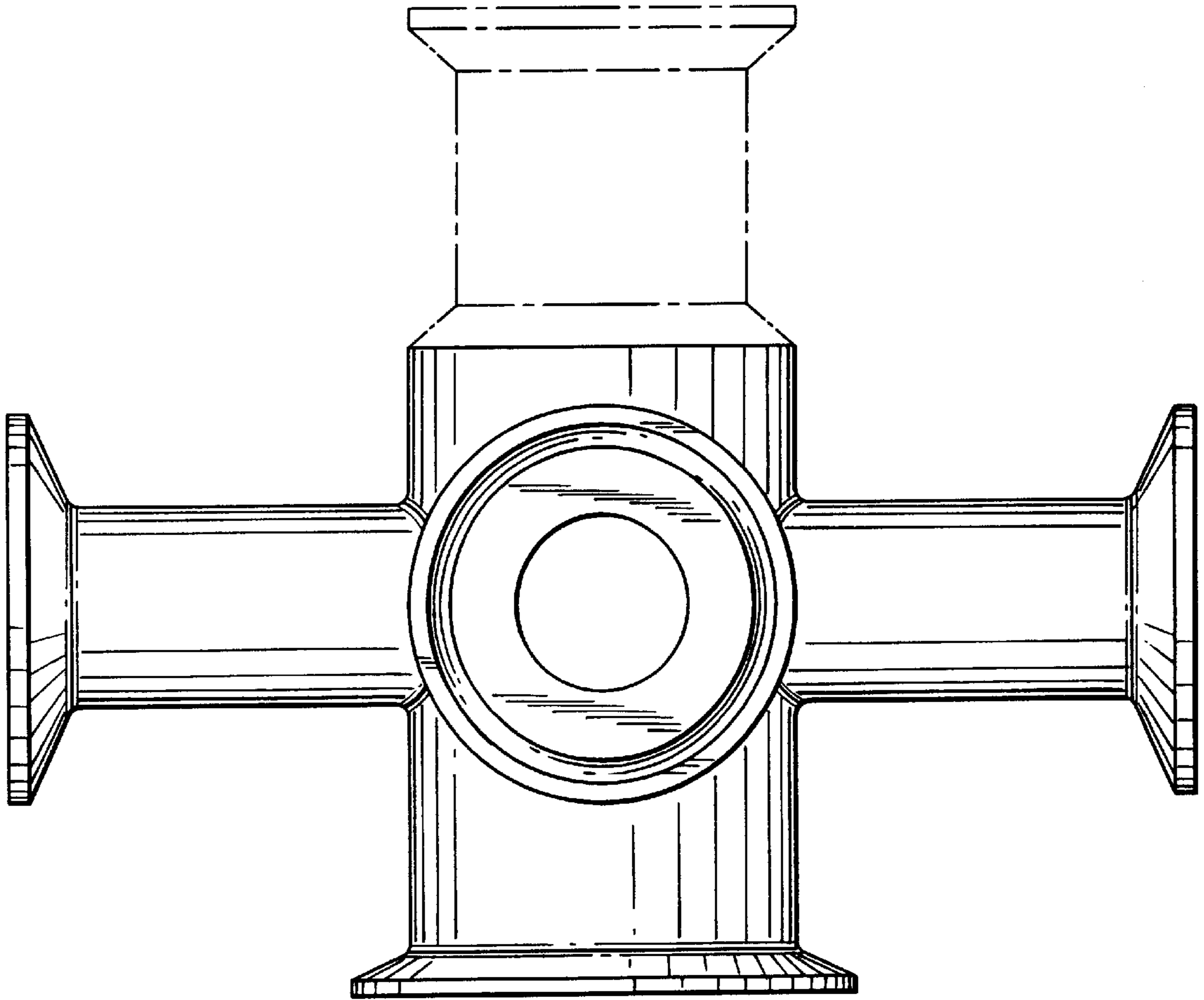


FIG.4