



US00D422683S

# United States Patent [19]

Farina

[11] Patent Number: **Des. 422,683**

[45] Date of Patent: **\*\* Apr. 11, 2000**

[54] VALVE COMPONENT

[76] Inventor: **Alfred J. Farina**, 1939 Anita Ct.,  
Baldwin, N.Y. 11510

[\*\*] Term: **14 Years**

[21] Appl. No.: **29/104,675**

[22] Filed: **May 10, 1999**

[51] LOC (6) Cl. .... **23-01**

[52] U.S. Cl. .... **D23/233**

[58] Field of Search ..... D23/233, 234,  
D23/235, 236, 237, 244, 249; 137/515,  
515.5, 512.15, 512.1

[56] **References Cited**

**U.S. PATENT DOCUMENTS**

3,208,472 9/1965 Scaramucci ..... 137/512.1  
4,774,981 10/1988 Mizusawa ..... 137/512.1

5,301,709 4/1994 Gasaway ..... 137/512.1  
5,392,810 2/1995 Cooper et al. .... 137/512.1  
5,518,026 5/1996 Benjey ..... 137/512.15  
5,601,112 2/1997 Sekiya et al. .... 137/512.15

*Primary Examiner*—Robin V. Taylor  
*Attorney, Agent, or Firm*—Myron Amer, P.C.

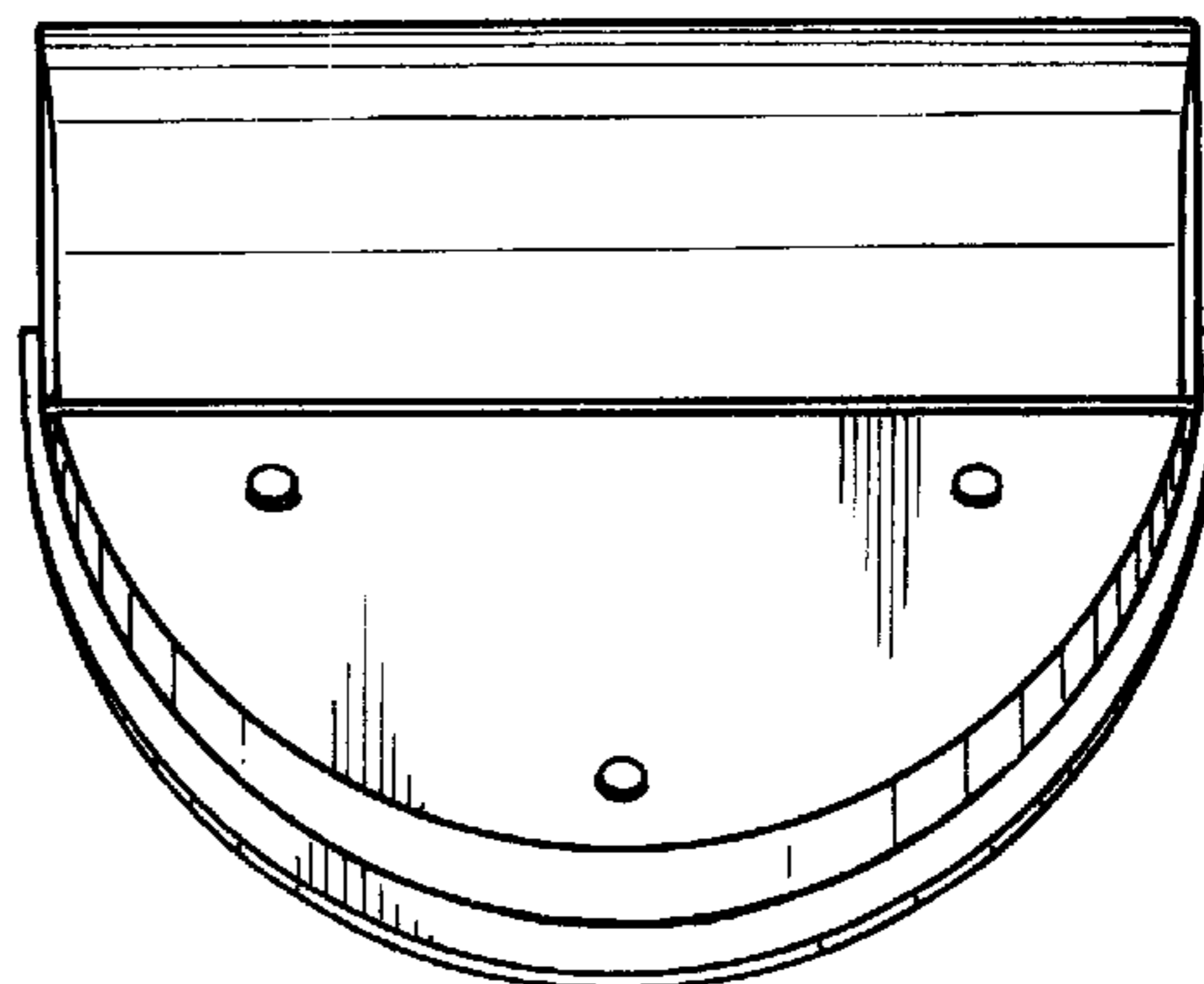
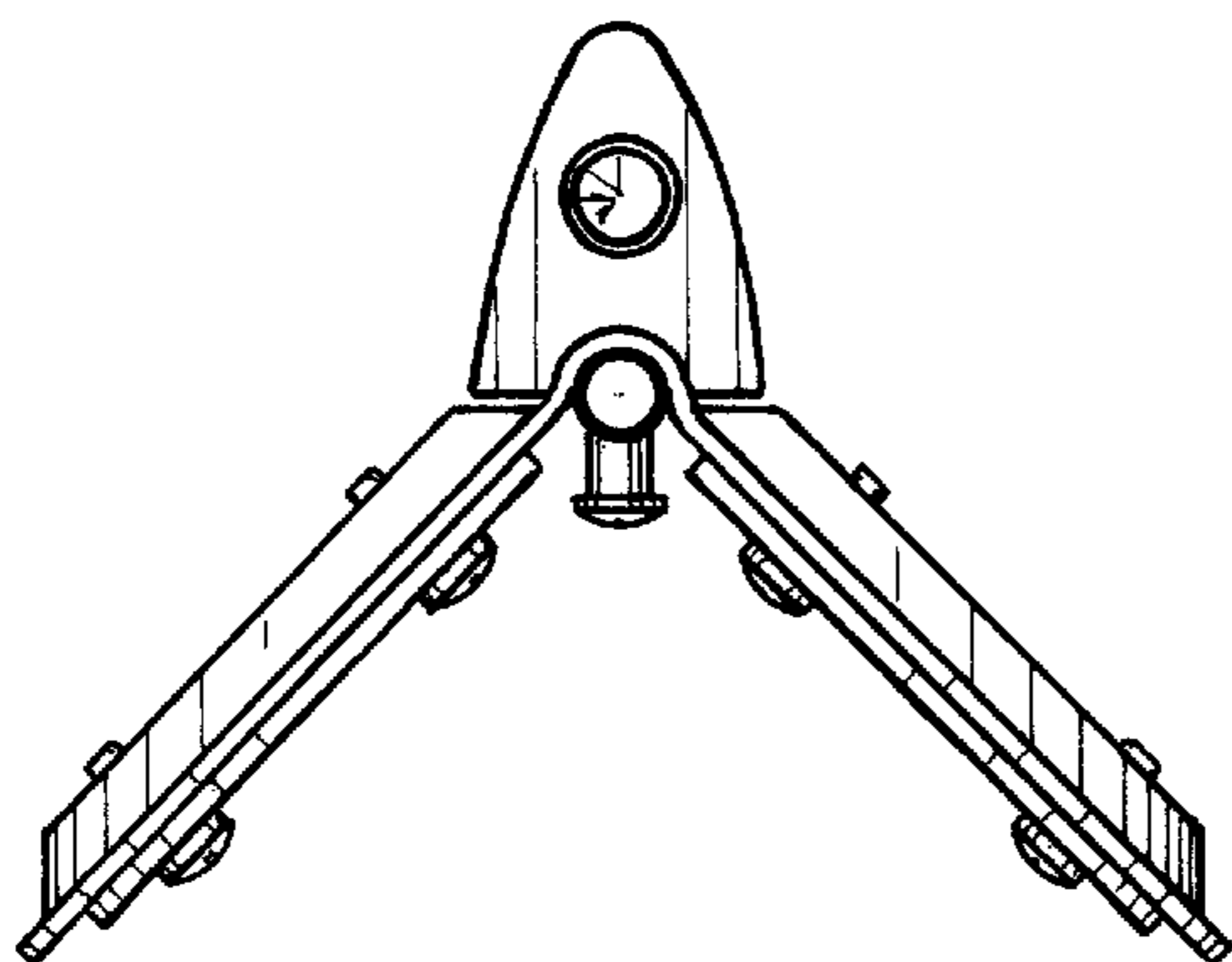
[57] **CLAIM**

The ornamental design for a valve component, as shown and described.

**DESCRIPTION**

FIG. 1 is a top plan view of a valve component showing my new design;  
FIG. 2 is a front/rear elevational view thereof;  
FIG. 3 is a left/right side elevational view thereof; and,  
FIG. 4 is a bottom view thereof.

**1 Claim, 1 Drawing Sheet**



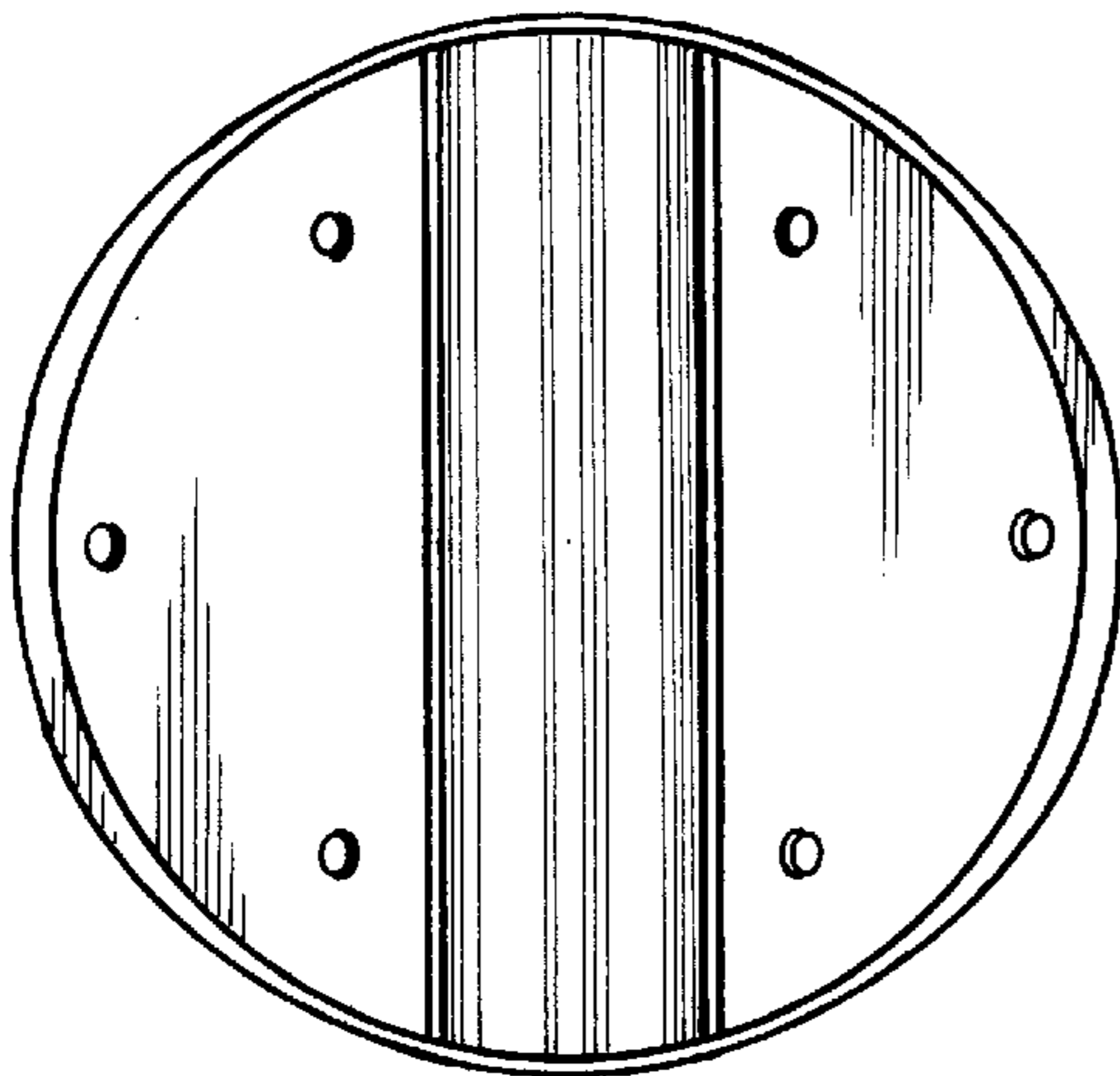


FIG. 1

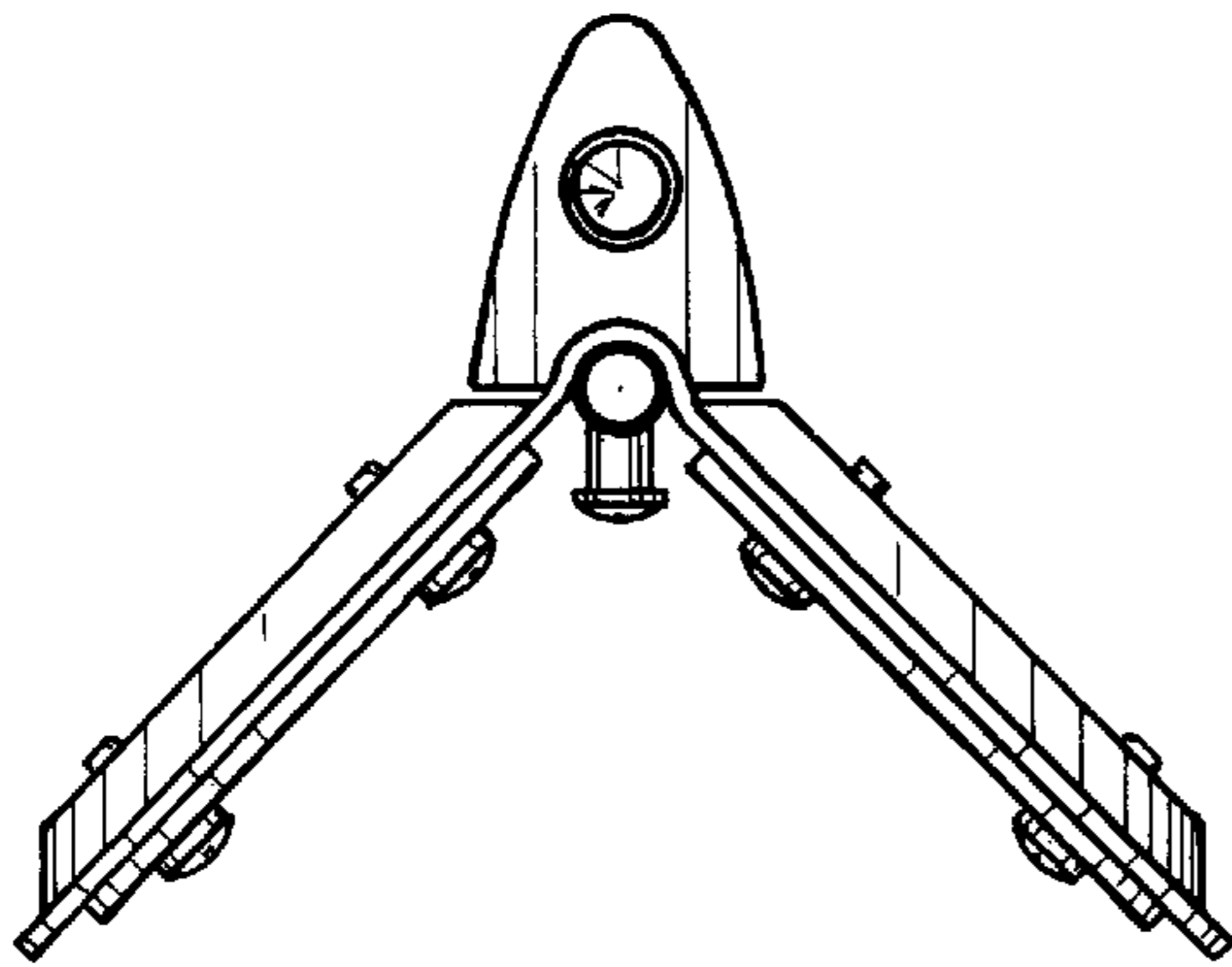


FIG. 2

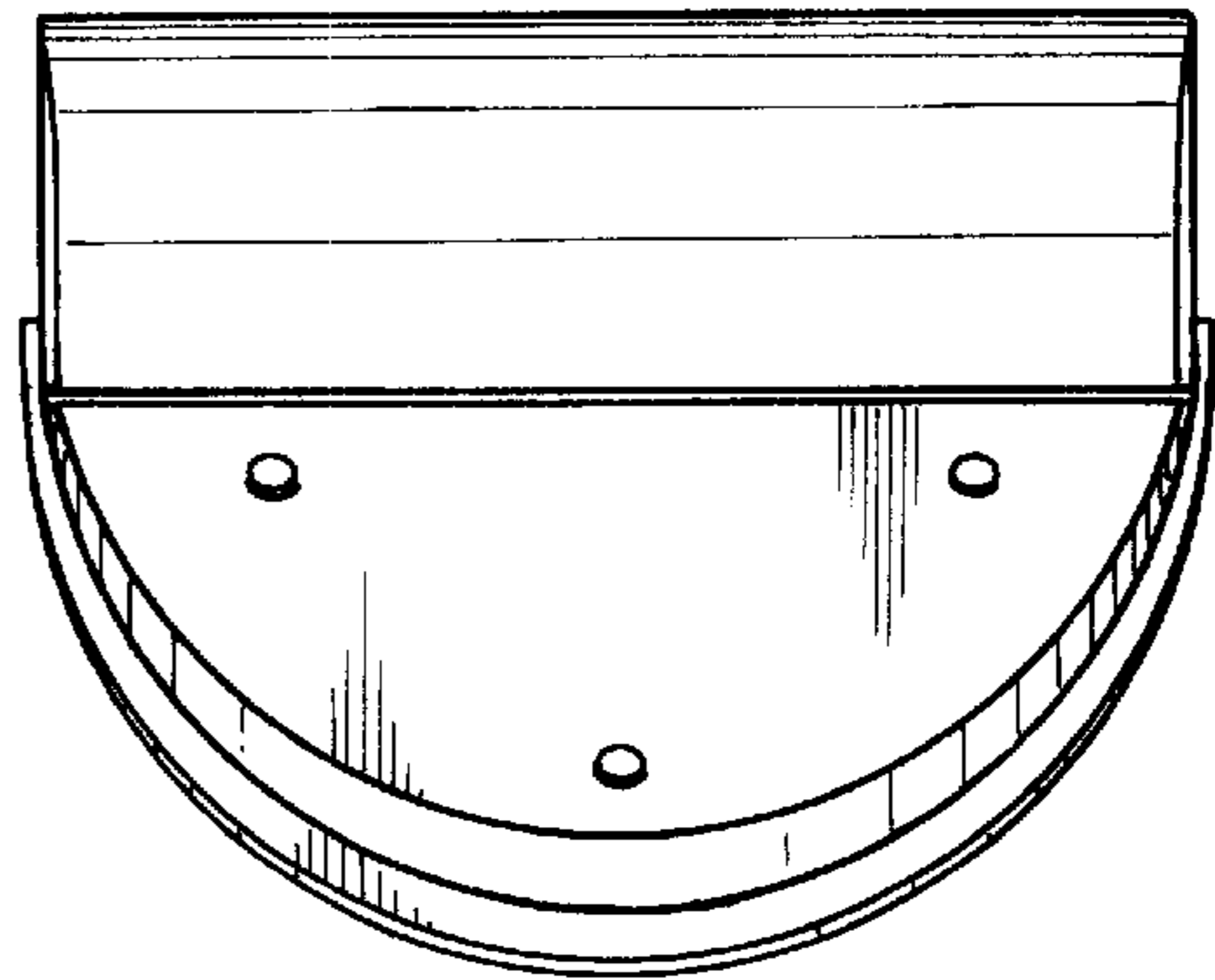


FIG. 4

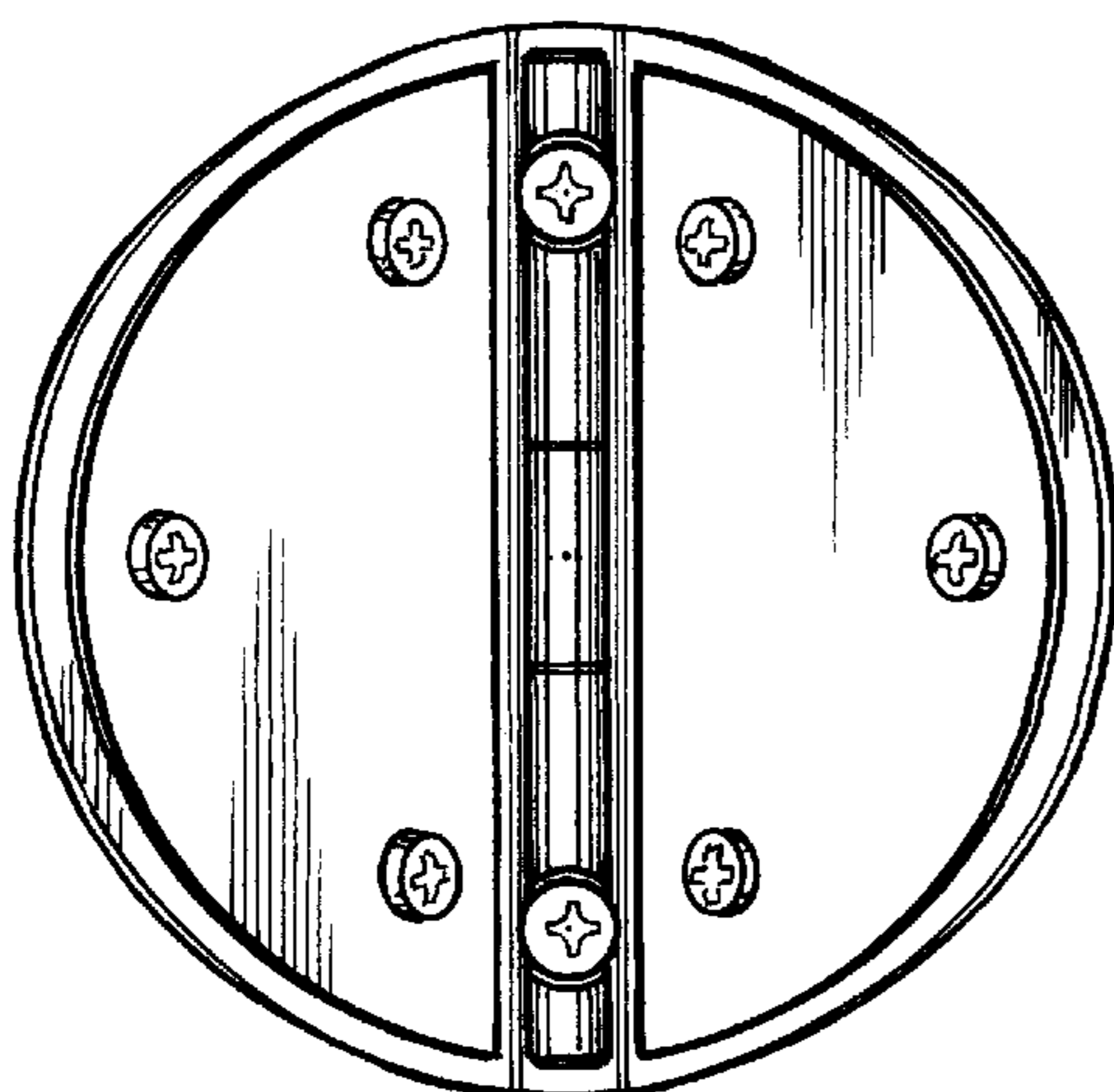


FIG. 3