



US00D422682S

United States Patent [19]
Ericksen

[11] **Patent Number: Des. 422,682**

[45] **Date of Patent: ** Apr. 11, 2000**

[54] **WATER SPRAY GUN HANDLE**

5,207,359 5/1993 Steijns 222/383
5,695,095 12/1997 Hildebrand 222/383.1

[75] Inventor: **Michael Ray Ericksen**, Farmington,
Utah

Primary Examiner—Robin V. Taylor
Attorney, Agent, or Firm—Mallinckrodt & Mallinckrodt

[73] Assignee: **Pro-Mark, Inc.**, Bountiful, Utah

[57] **CLAIM**

[**] Term: **14 Years**

The ornamental design for a water spray gun handle, as shown and described.

[21] Appl. No.: **29/107,283**

[22] Filed: **Jun. 30, 1999**

DESCRIPTION

[51] **LOC (6) Cl.** **23-01**

[52] **U.S. Cl.** **D23/226**

[58] **Field of Search** D23/213, 223,
D23/226; 239/525-528; 222/402.15, 383.1

FIG. 1 is a left side elevational view of a water spray gun handle showing my new design, the right side being a mirror image thereof, and with the water spray gun shown in phantom lines not being a part of such design;

FIG. 2 is a top plan view thereof;

FIG. 3 is a rear elevational view thereof;

FIG. 4 is a front elevational view thereof; and,

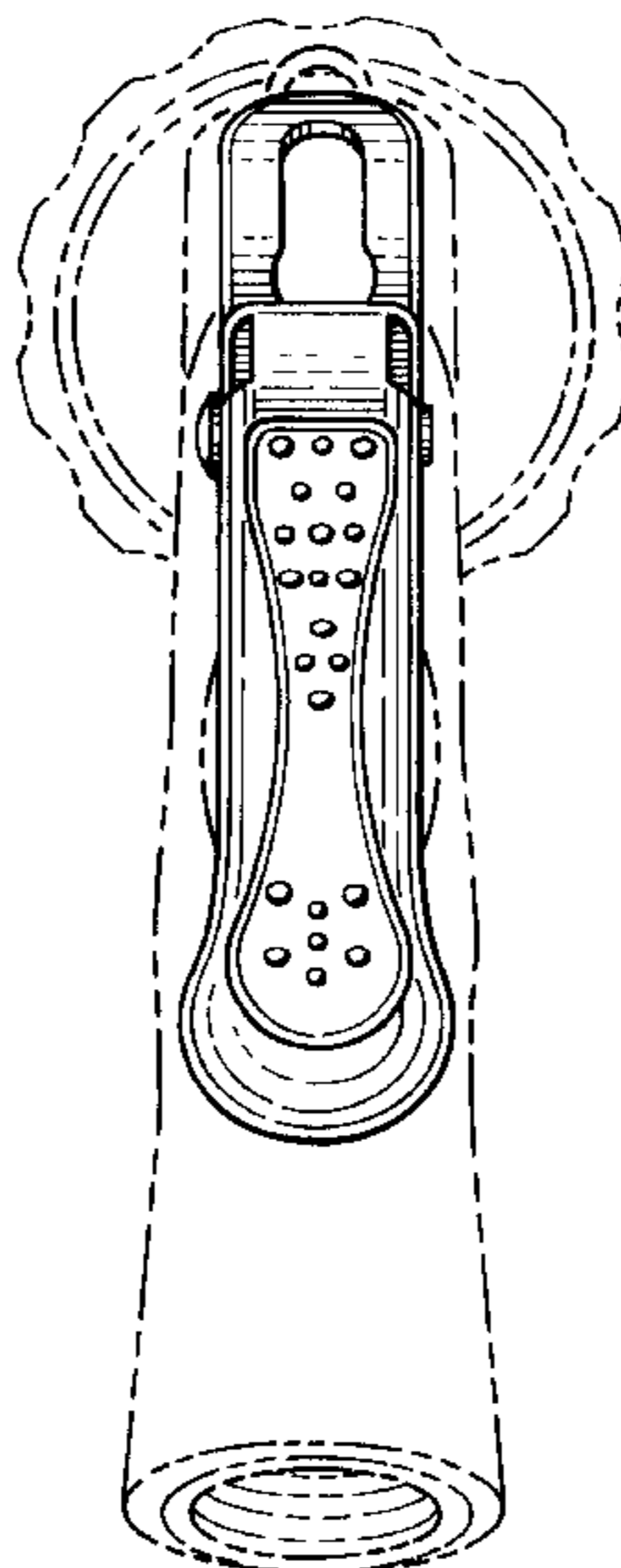
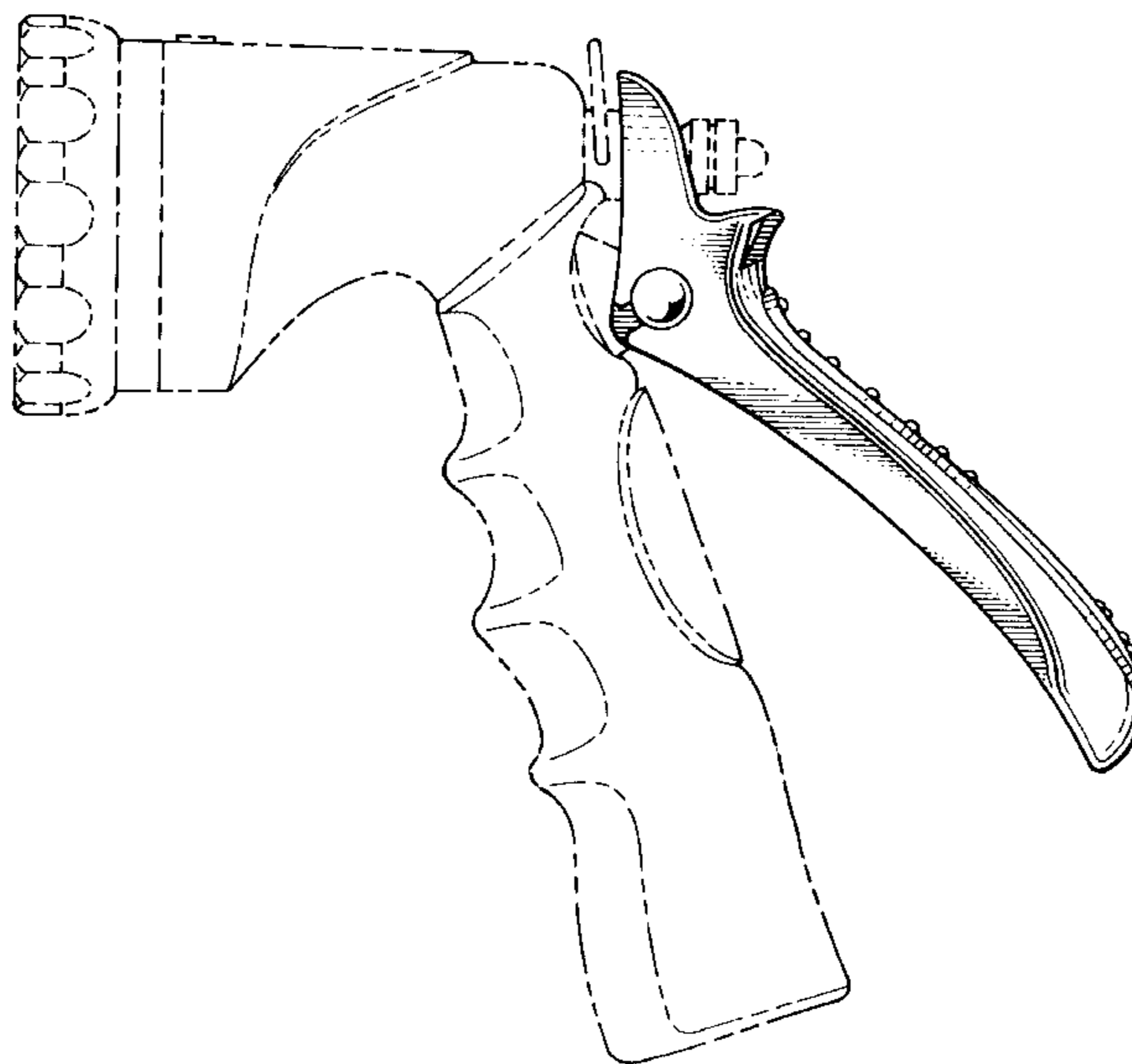
FIG. 5 is a bottom plan view thereof.

[56] **References Cited**

U.S. PATENT DOCUMENTS

D. 376,318 12/1996 Hildebrand D23/226

1 Claim, 2 Drawing Sheets



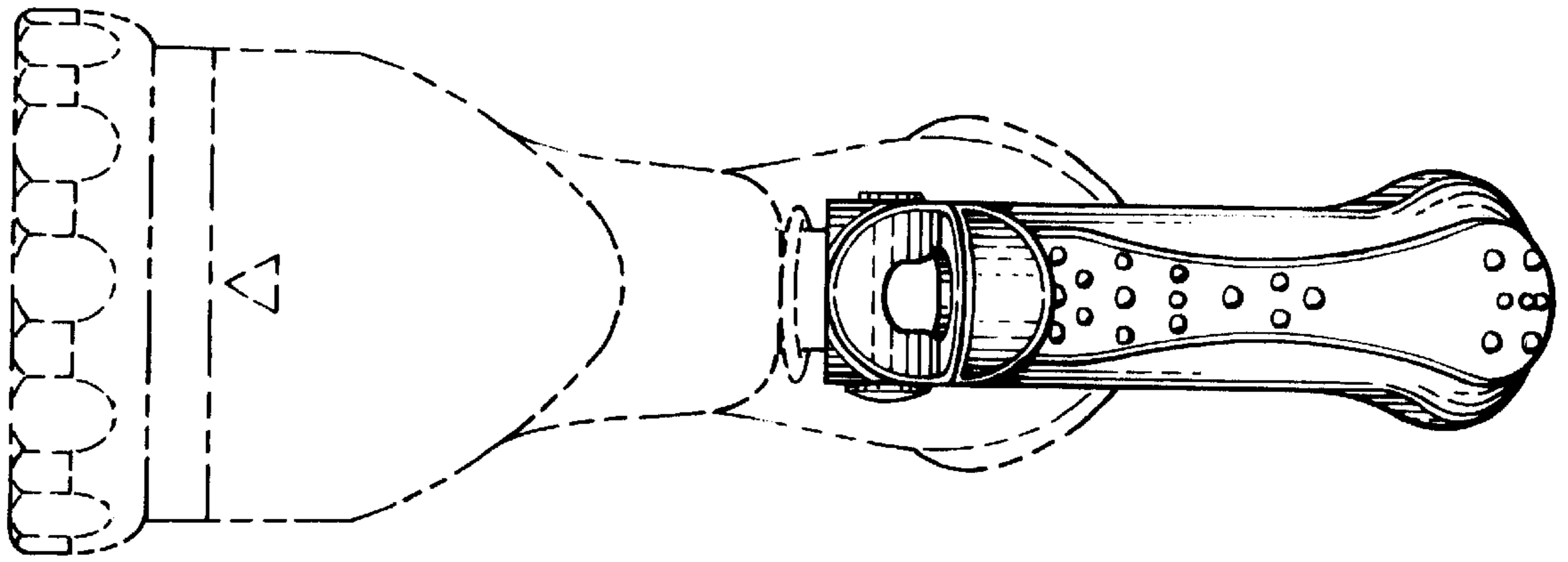


FIG. 2

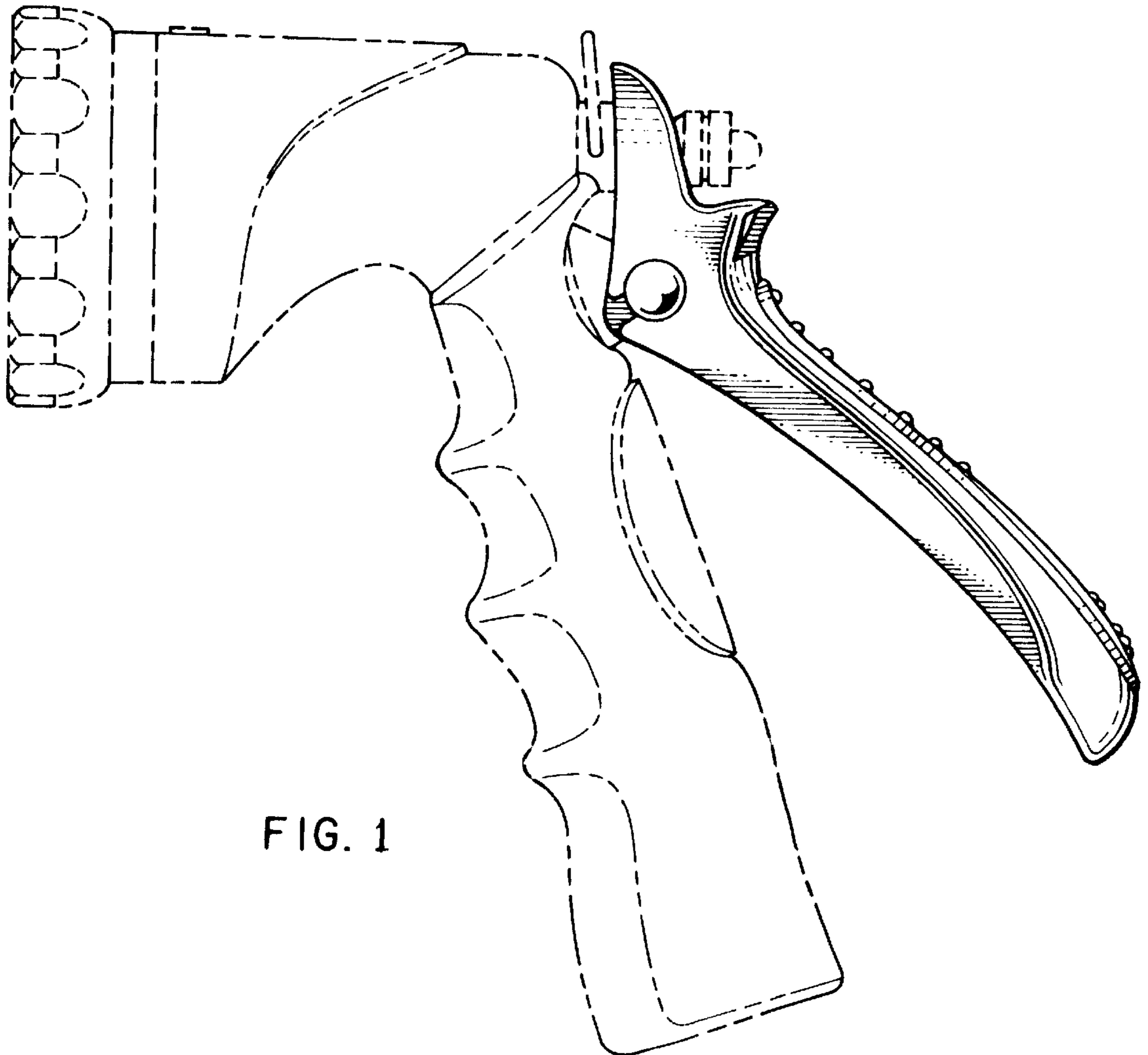


FIG. 1

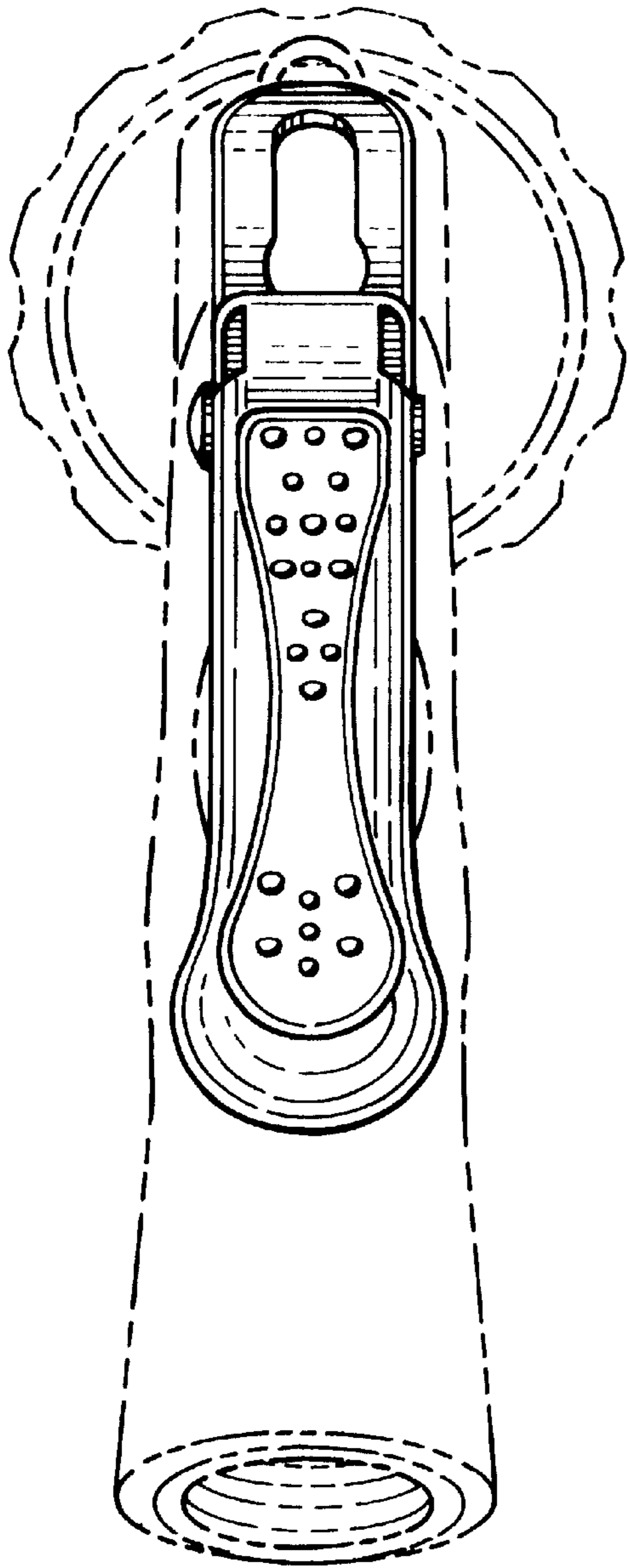


FIG. 3

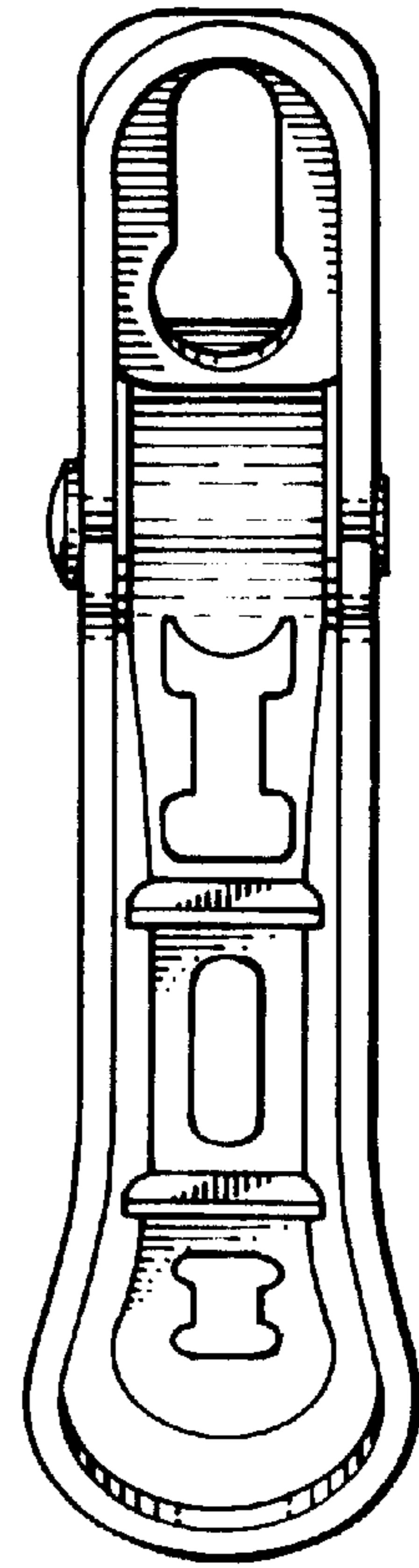


FIG. 4

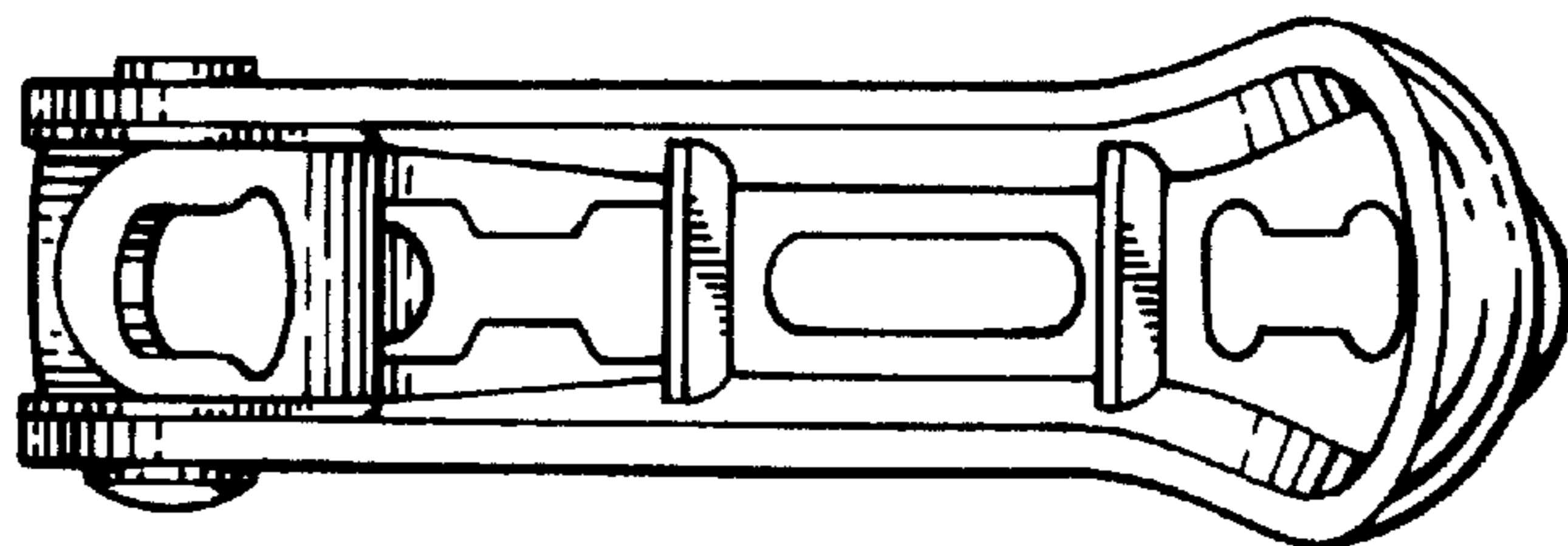


FIG. 5