



US00D422680S

United States Patent [19] Guo

[11] **Patent Number: Des. 422,680**

[45] **Date of Patent: ** Apr. 11, 2000**

[54] **WATER DISTRIBUTOR FOR SPRAYER**

OTHER PUBLICATIONS

[76] Inventor: **Wen-Li Guo**, No. 10, Fang Dong Road,
Wen Gin Tsuen, Fang Yuan Hsiang,
Chang Hua Hsien, Taiwan

Gardena catalog; Four-Way Water Distributor; p. 19, 1996.

Primary Examiner—Robin V. Taylor
Attorney, Agent, or Firm—Charles E. Baxley, Esq.

[**] Term: **14 Years**

[57] **CLAIM**

[21] Appl. No.: **29/107,222**

The ornamental design for a water distributor for sprayer, as shown and described.

[22] Filed: **Jul. 1, 1999**

DESCRIPTION

[51] **LOC (6) Cl.** **23-01**

[52] **U.S. Cl.** **D23/213**

[58] **Field of Search** D23/213, 214;
239/548, 550, 551, 565, 566

FIG. 1 is a perspective view of a water distributor for sprayer showing my new design;

FIG. 2 is a front elevational view thereof;

FIG. 3 is a rear elevational view thereof;

FIG. 4 is a top plan view thereof;

FIG. 5 is a bottom plan view thereof; and,

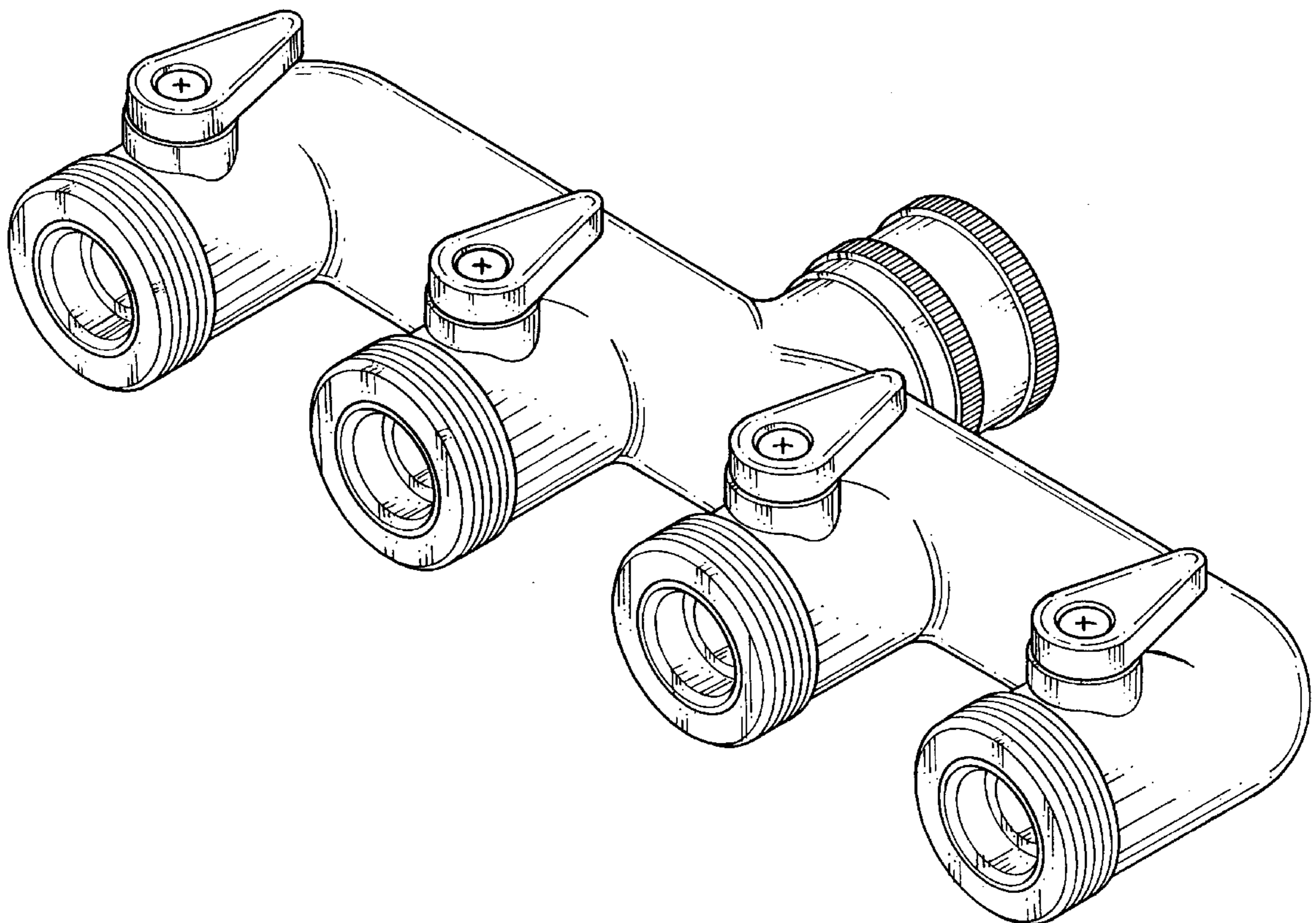
FIG. 6 is a left side elevational view thereof, the right side being a mirror image of that shown.

[56] **References Cited**

U.S. PATENT DOCUMENTS

753,730	3/1904	Owen	239/565
3,697,001	10/1972	Skodak	239/565
3,826,431	7/1974	Telge	239/551

1 Claim, 4 Drawing Sheets



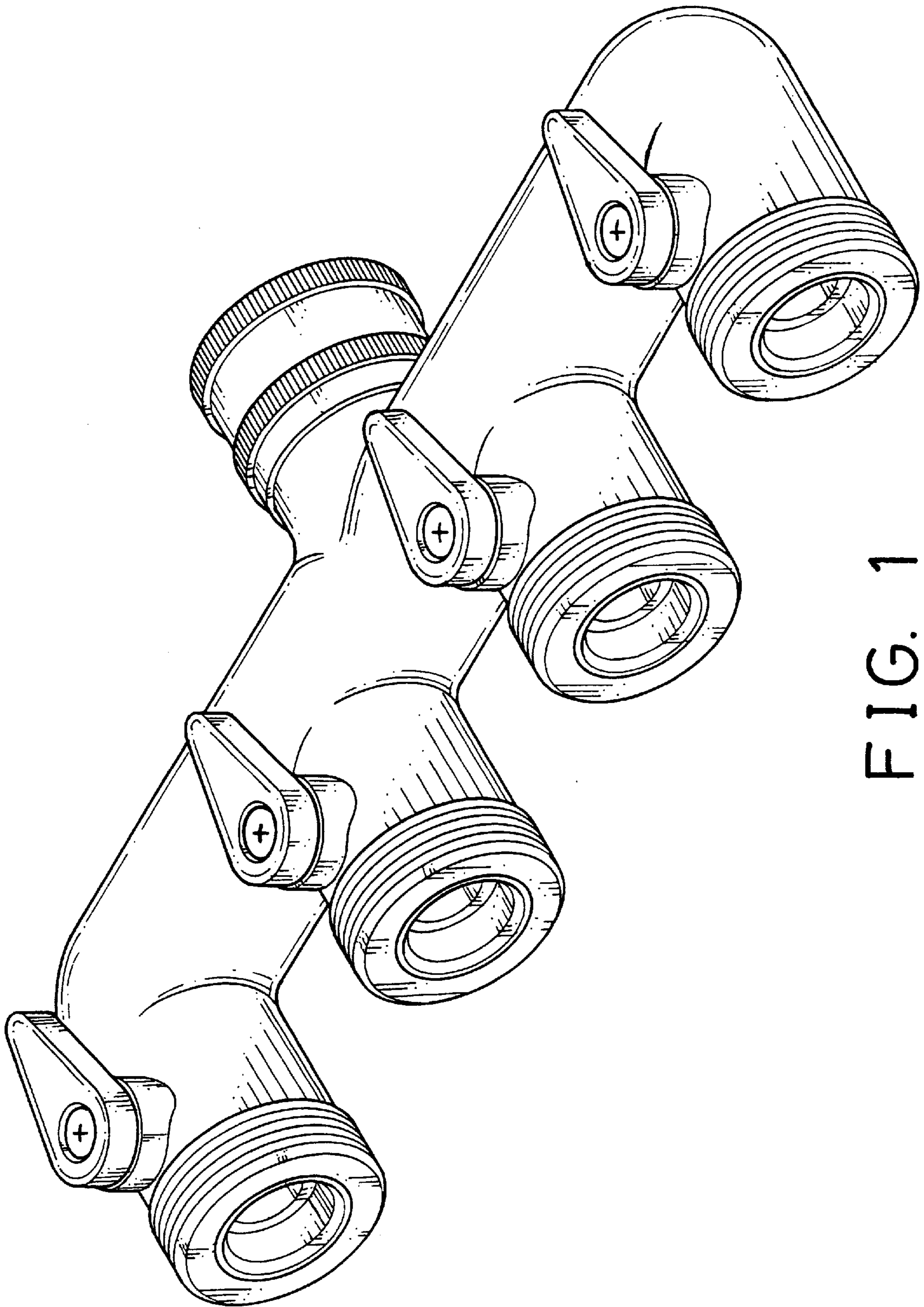


FIG. 1

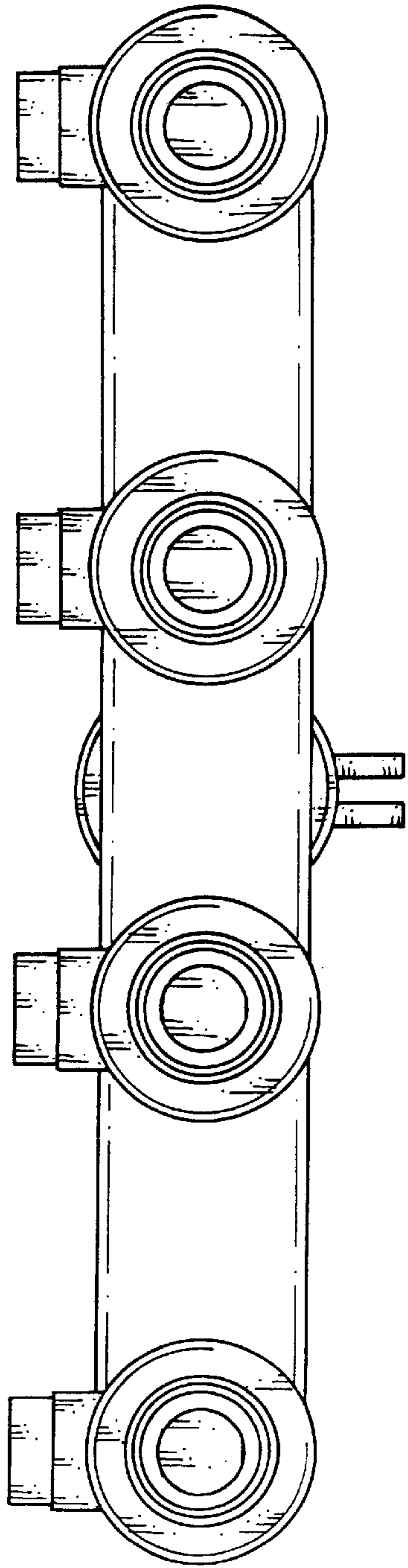


FIG. 2

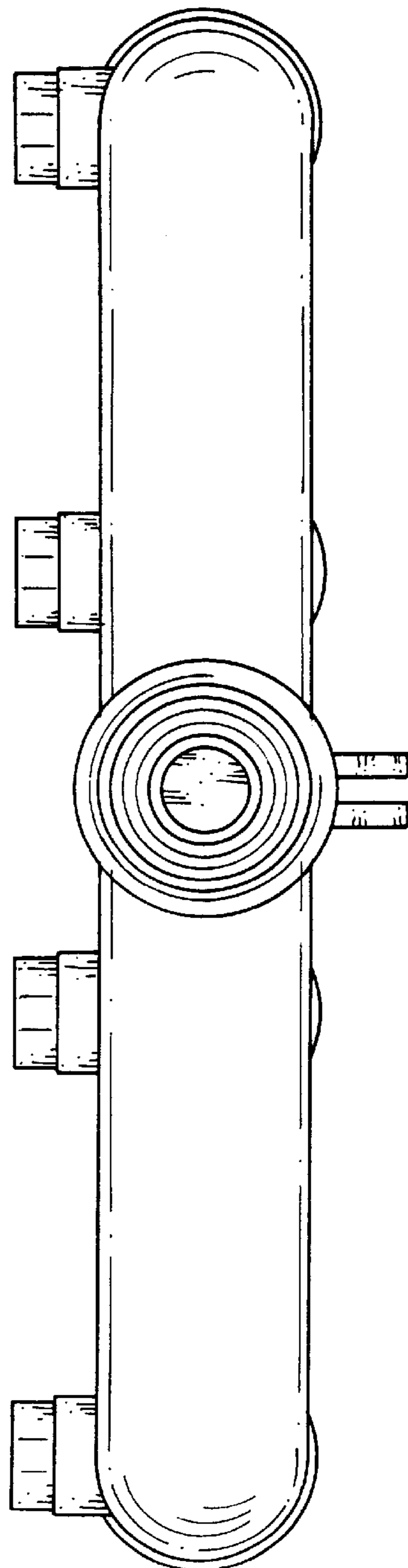


FIG. 3

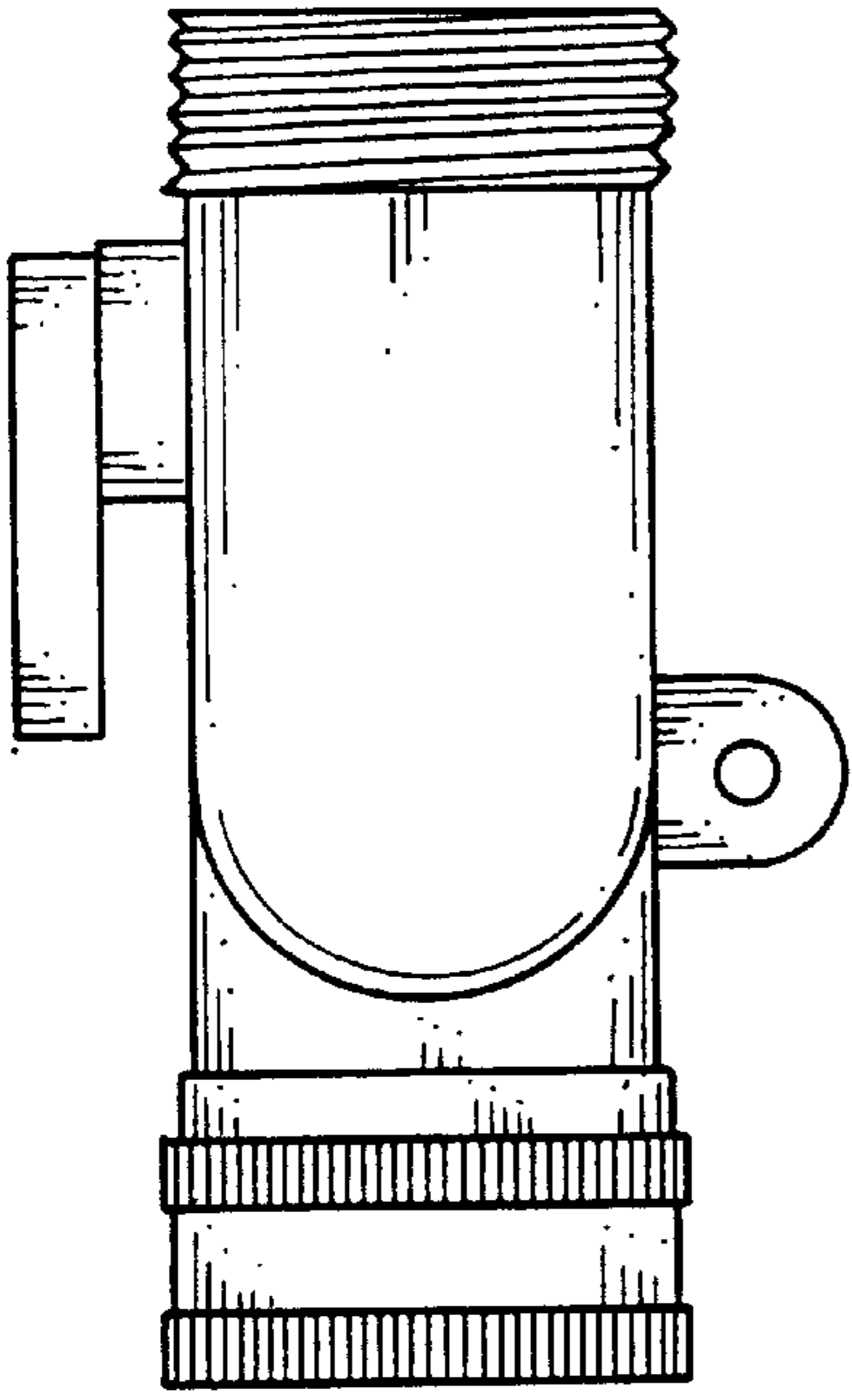


FIG. 6

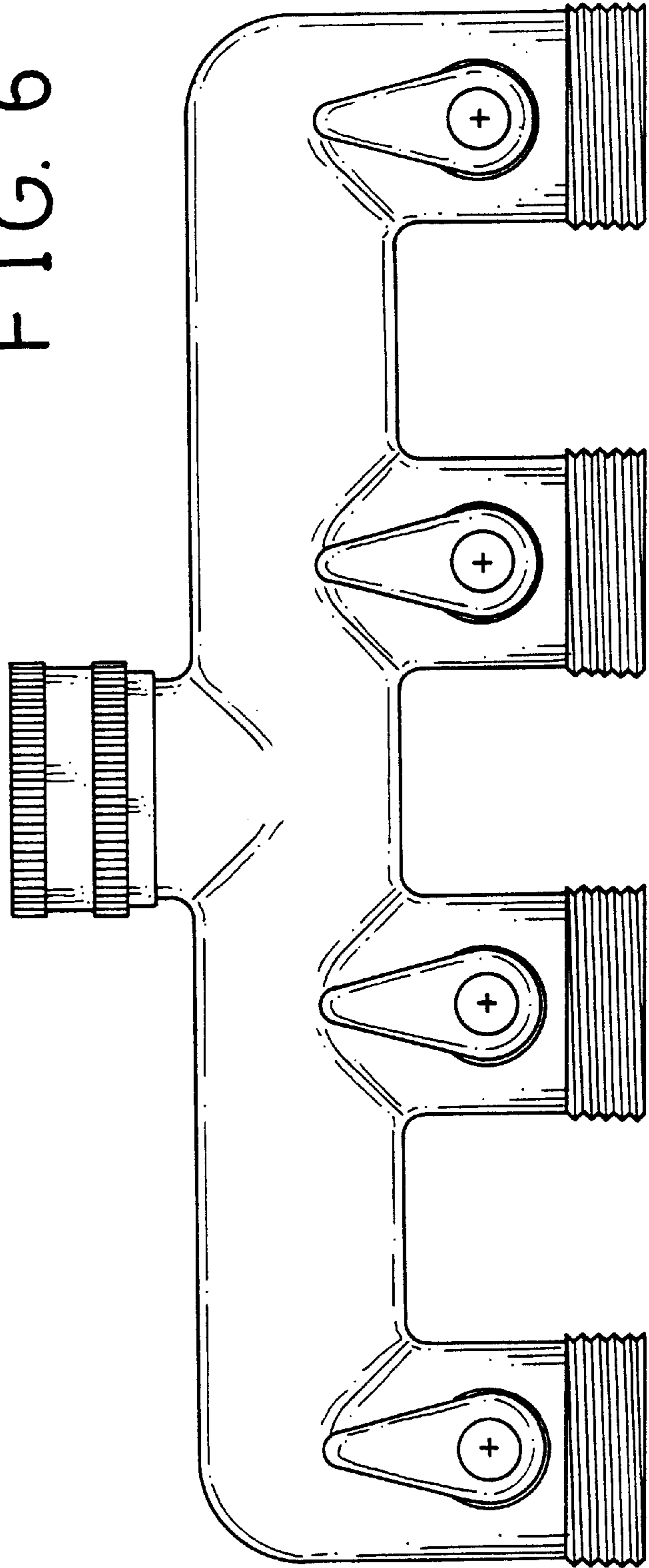


FIG. 4

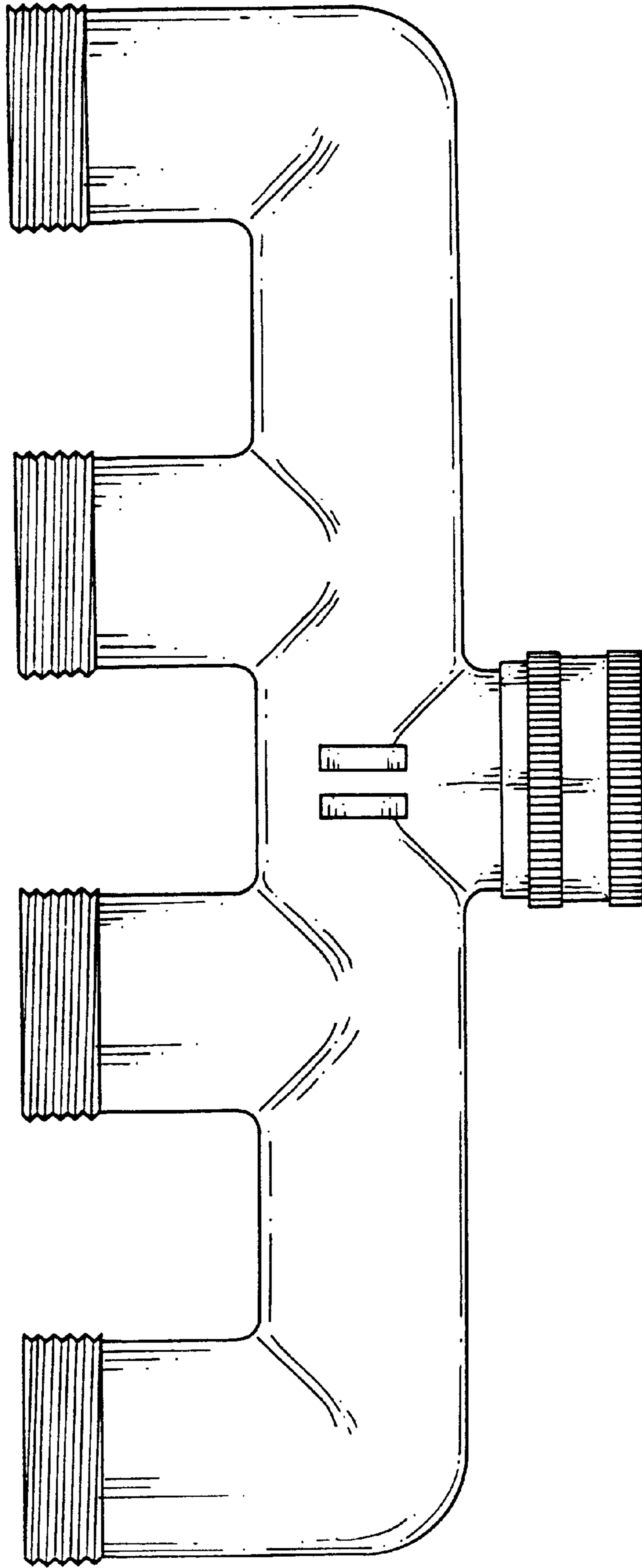


FIG. 5