



US00D422676S

United States Patent [19]

Conover, Jr. et al.

[11] **Patent Number: Des. 422,676**

[45] **Date of Patent: ** Apr. 11, 2000**

[54] **CHLORINE GENERATING CELL FOR SWIMMING POOLS**

| | | | | |
|-----------|---------|------------------|-------|---------|
| 4,828,803 | 5/1989 | Nicholson et al. | | 422/264 |
| 5,053,206 | 10/1991 | Maglio et al. | | 422/264 |
| 5,795,551 | 8/1998 | Powell | | 422/264 |

[75] Inventors: **Gilbert Conover, Jr.**, Providence;
Mark E. Charpentier, Wyoming;
Vincent P. Falso, East Greenwich, all
of R.I.

Primary Examiner—Robin V. Taylor
Attorney, Agent, or Firm—Salter & Michaelson

[73] Assignee: **Independent Energy, Inc.**, East
Greenwich, R.I.

[57] **CLAIM**

The ornamental design for a chlorine generating cell for swimming pools, as shown.

[**] Term: **14 Years**

DESCRIPTION

[21] Appl. No.: **29/104,901**

FIG. 1 is a perspective view of a chlorine generating cell for swimming pools showing our new design;
FIG. 2 is a front elevational view thereof;
FIG. 3 is a rear elevational view thereof;
FIG. 4 is a left end view thereof;
FIG. 5 is a right end view thereof;
FIG. 6 is a top plan view thereof; and,
FIG. 7 is a bottom plan view thereof.

[22] Filed: **May 13, 1999**

[51] **LOC (6) Cl.** **23-01**

[52] **U.S. Cl.** **D23/208**

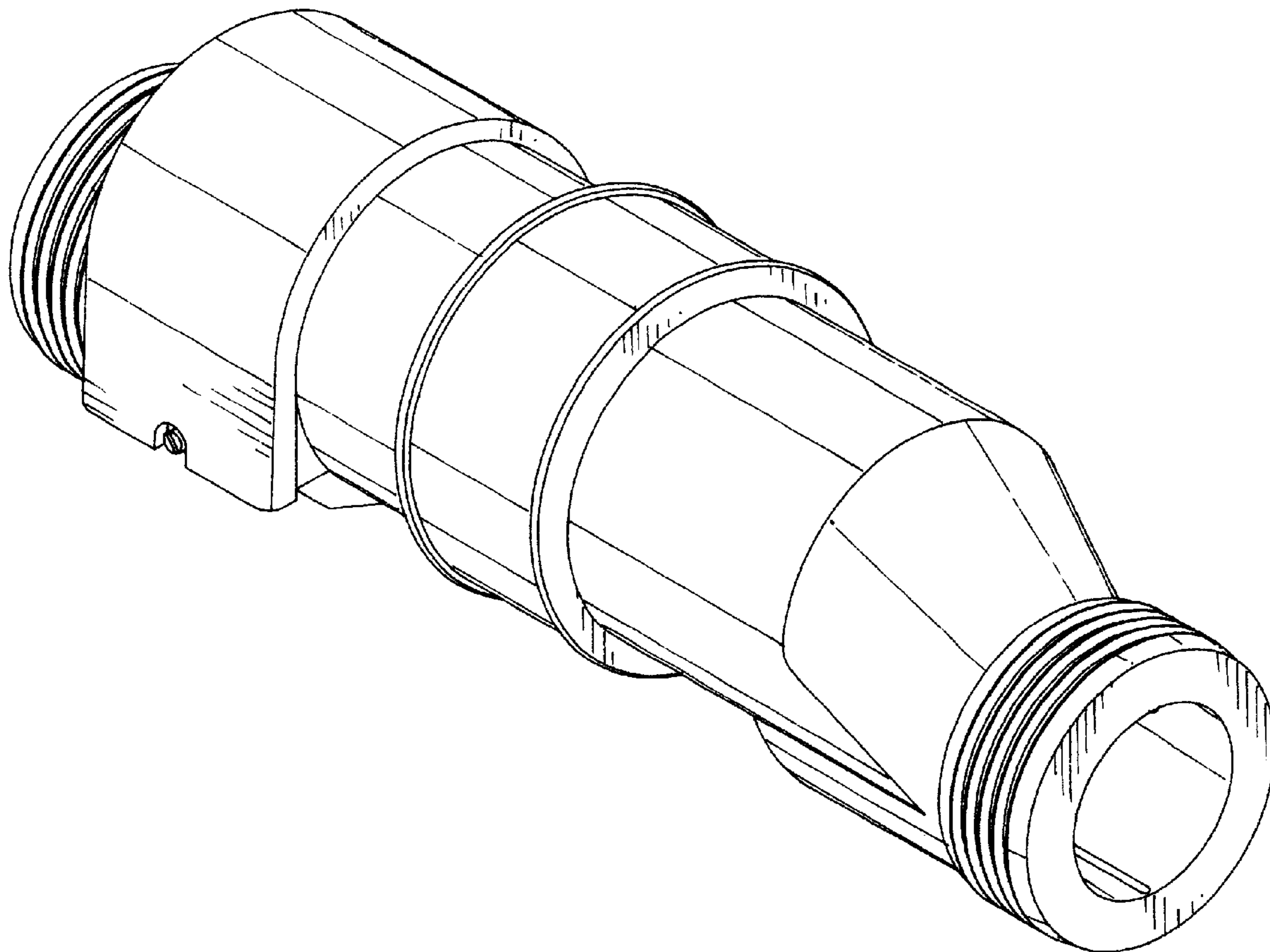
[58] **Field of Search** D23/207-210;
422/264, 265; 210/169

[56] **References Cited**

U.S. PATENT DOCUMENTS

D. 309,493 7/1990 Casberg D23/208

1 Claim, 3 Drawing Sheets



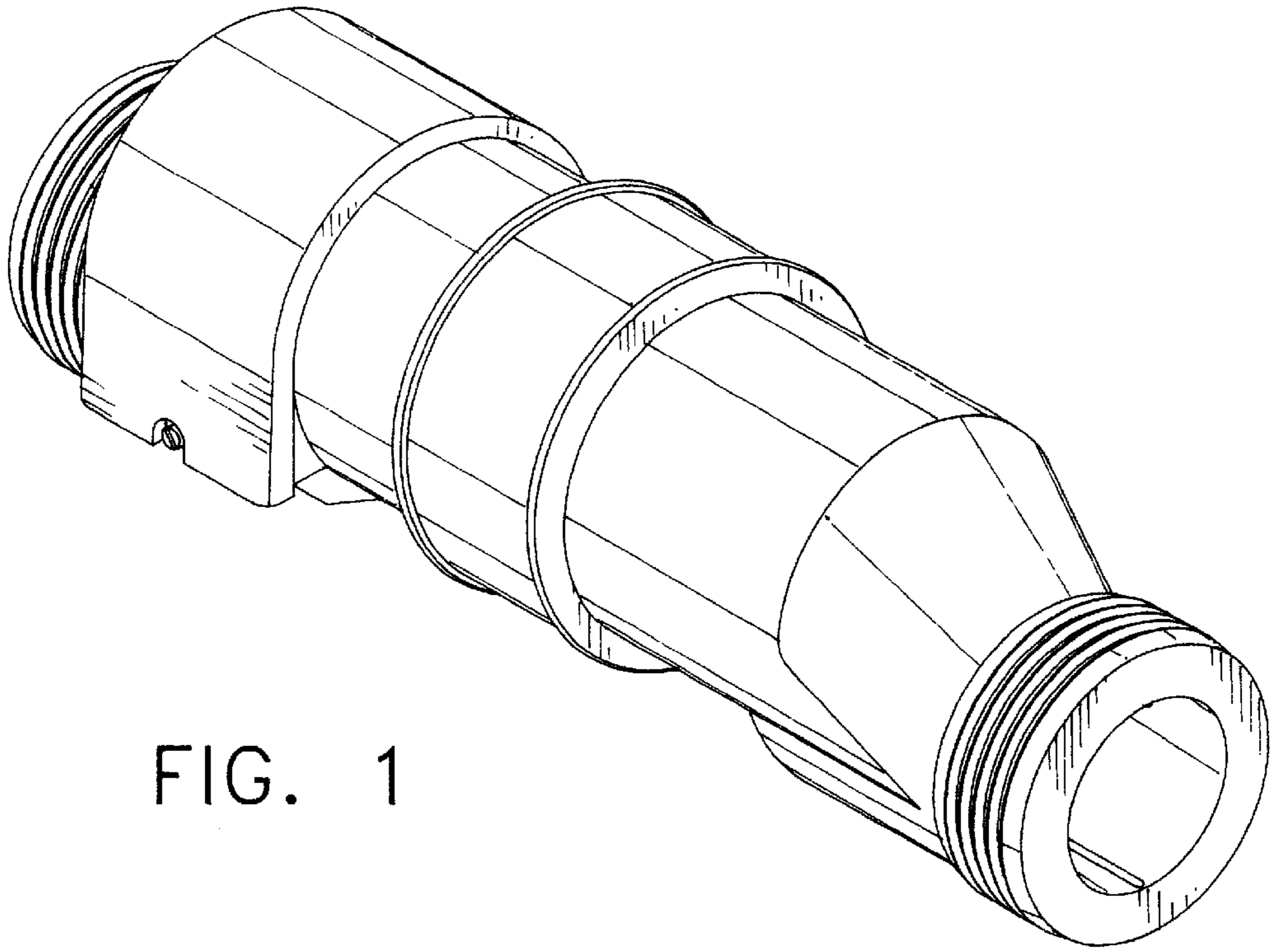


FIG. 1

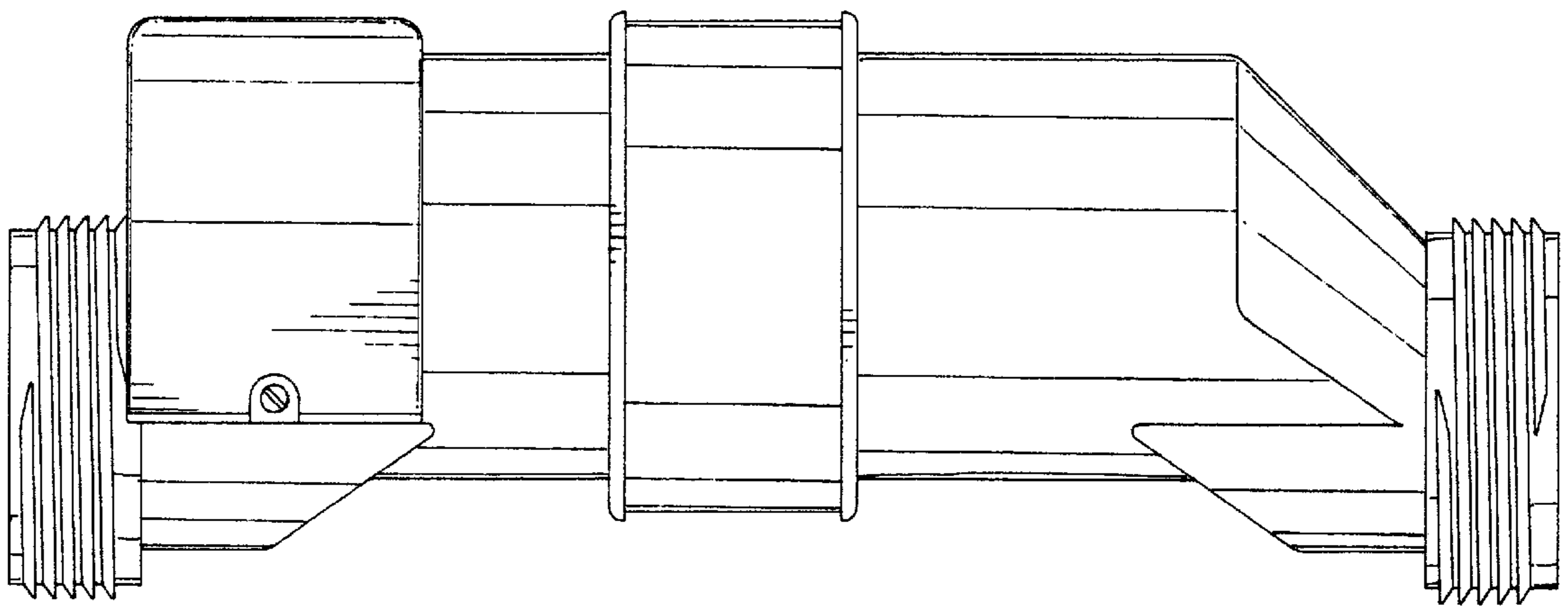


FIG. 2

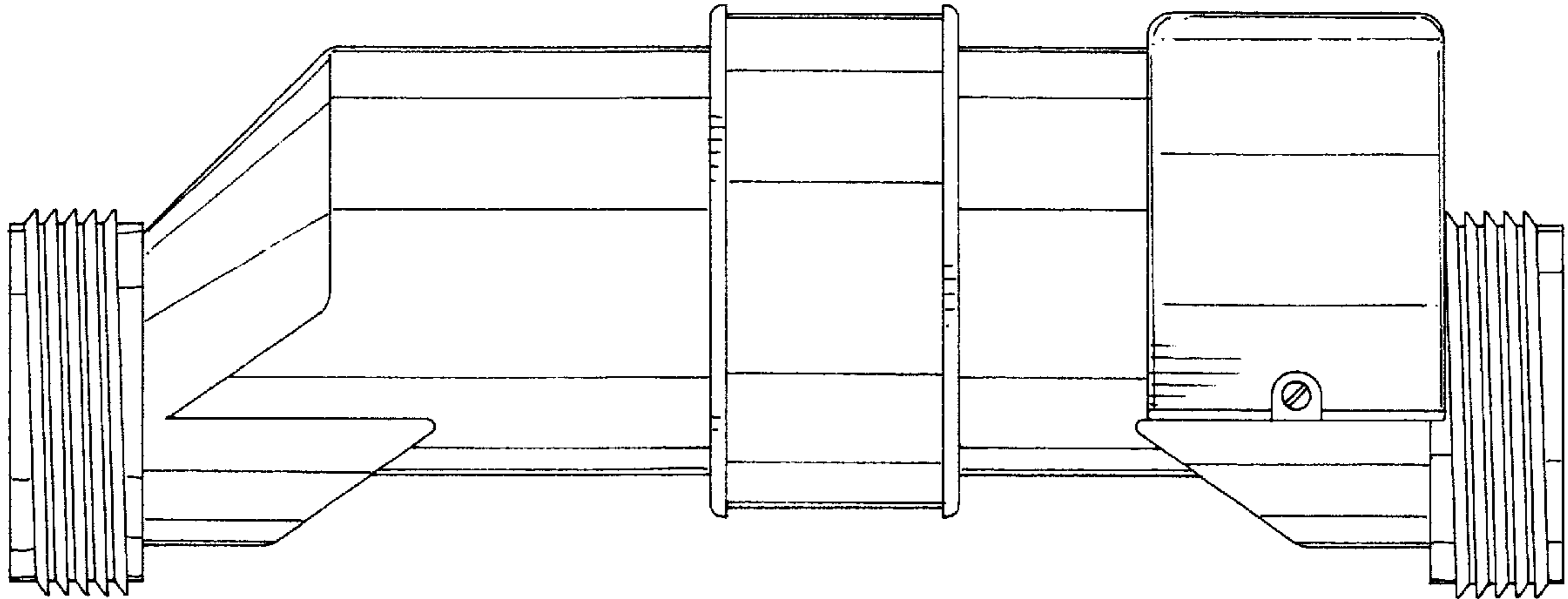


FIG. 3

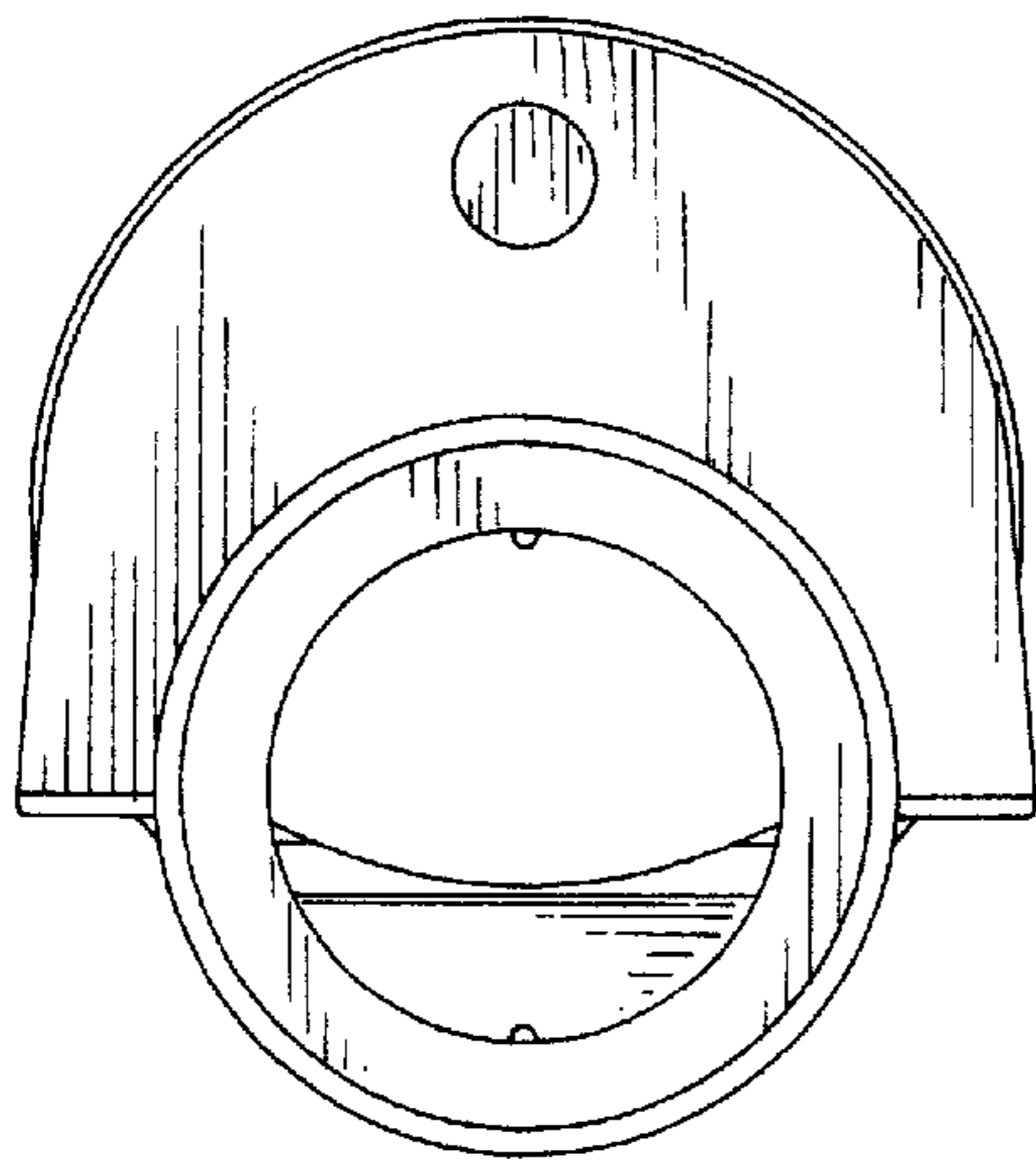


FIG. 4

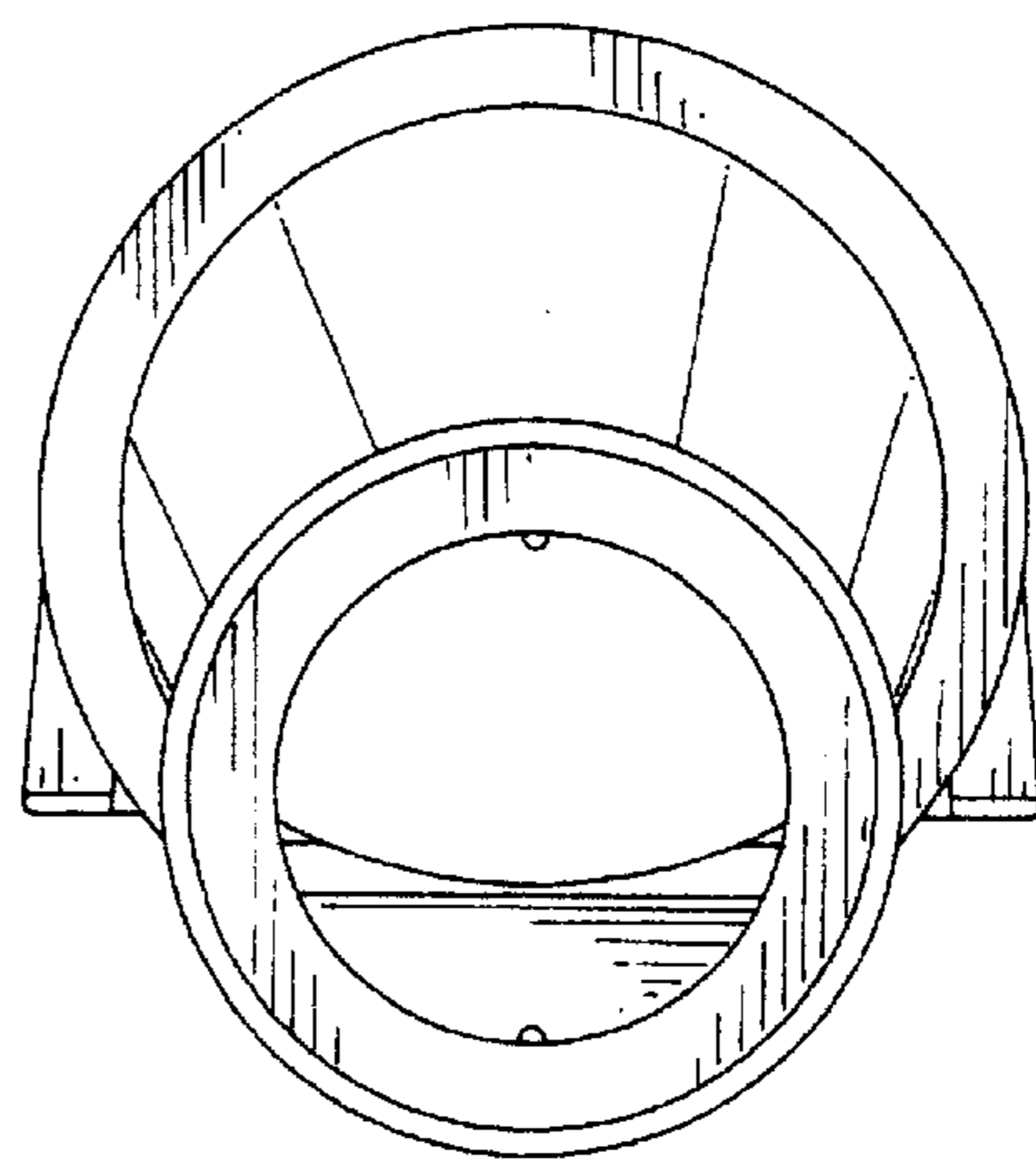


FIG. 5

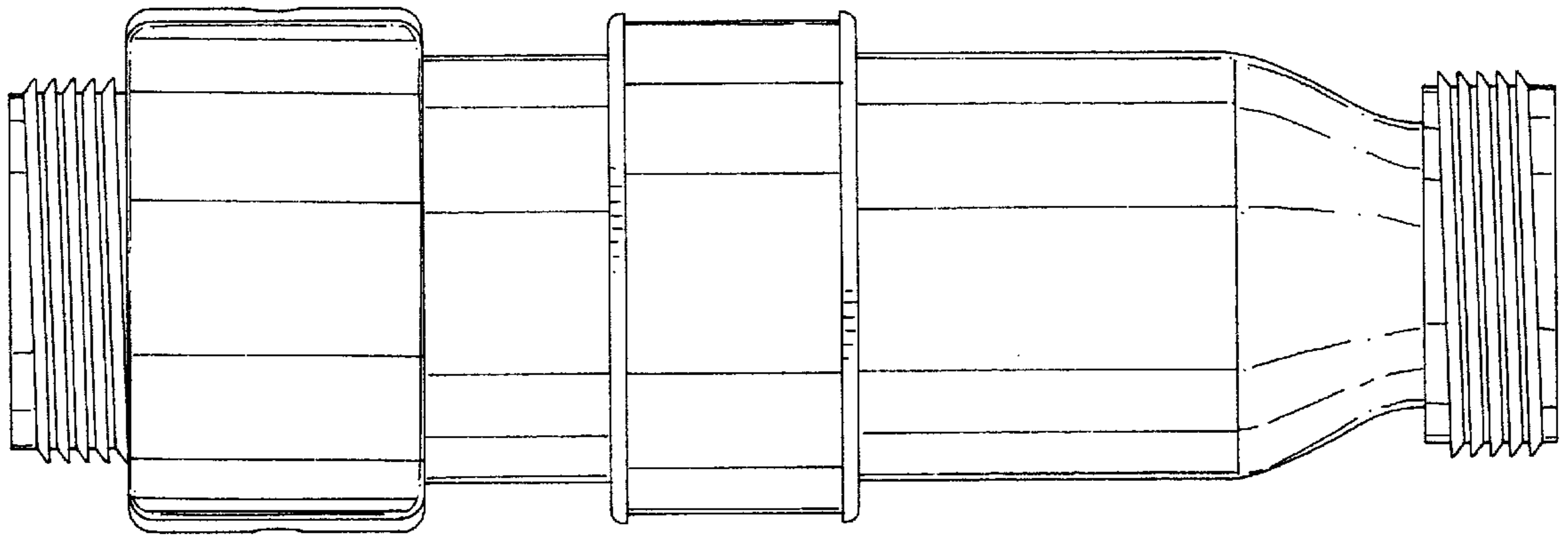


FIG. 6

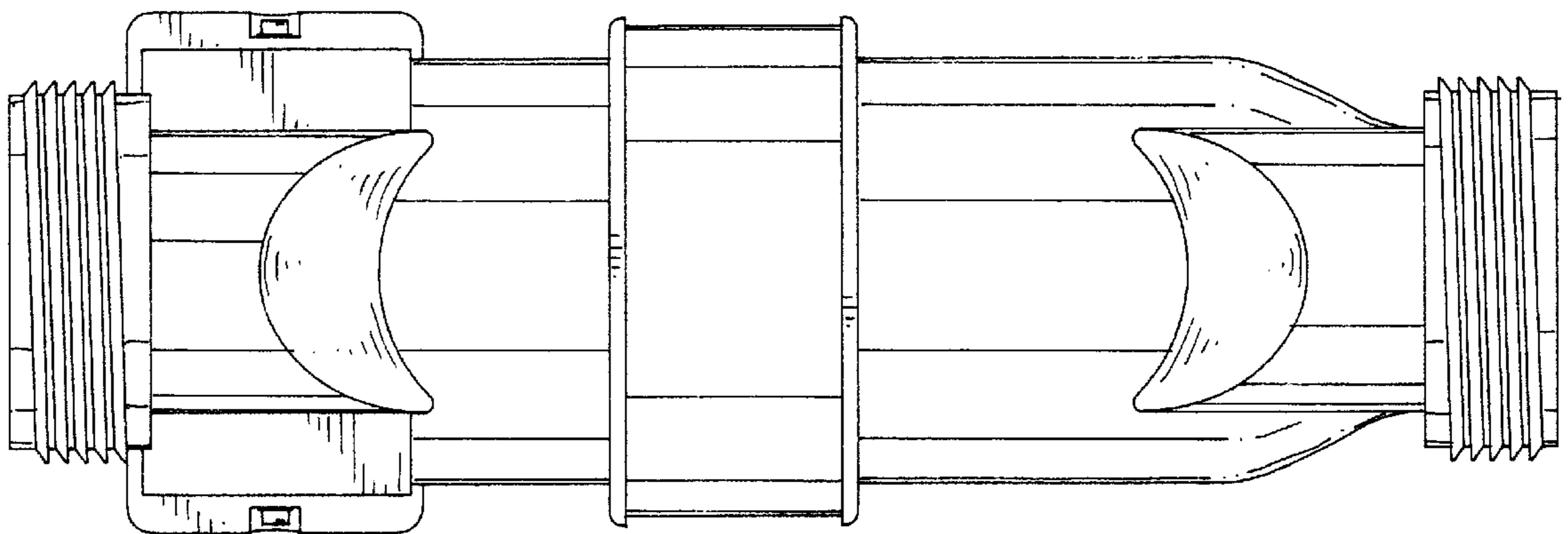


FIG. 7