



US00D422674S

United States Patent [19]

Chrisco et al.

[11] Patent Number: **Des. 422,674**

[45] Date of Patent: **** Apr. 11, 2000**

[54] FUNNEL

1,727,195 9/1929 Black 141/300
2,794,457 6/1957 Nicodemus 141/344

[75] Inventors: **Larry L. Chrisco**, Fairland; **Charles L. Forbis**, Quapaw, both of Okla.

Primary Examiner—Terry A. Wallace
Attorney, Agent, or Firm—Hovey, Williams, Timmons & Collins

[73] Assignee: **Blitz U.S.A., Inc.**, Miami, Okla.

[**] Term: **14 Years**

[57] CLAIM

[21] Appl. No.: **29/106,080**

The ornamental design for a funnel, as shown and described.

[22] Filed: **Jun. 10, 1999**

DESCRIPTION

[51] LOC (6) Cl. **23-01**

FIG. 1 is a front perspective view of the funnel;

[52] U.S. Cl. **D23/200**

FIG. 2 is a side elevational view of the funnel;

[58] Field of Search D7/700; D23/200;
D15/150; 141/297-300, 331-345

FIG. 3 is a rear elevational view of the funnel;

FIG. 4 is a front elevational view;

FIG. 5 is a top plan view of the funnel; and,

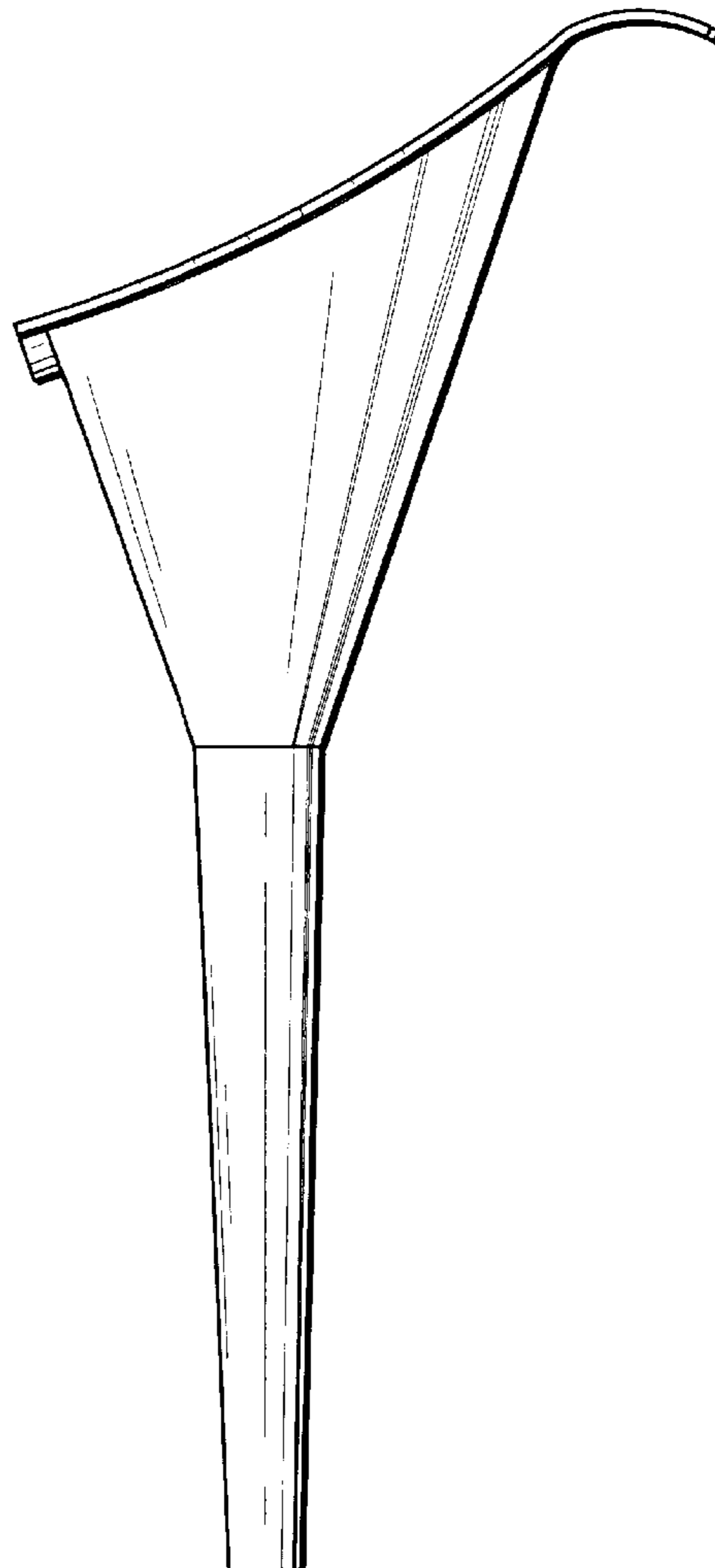
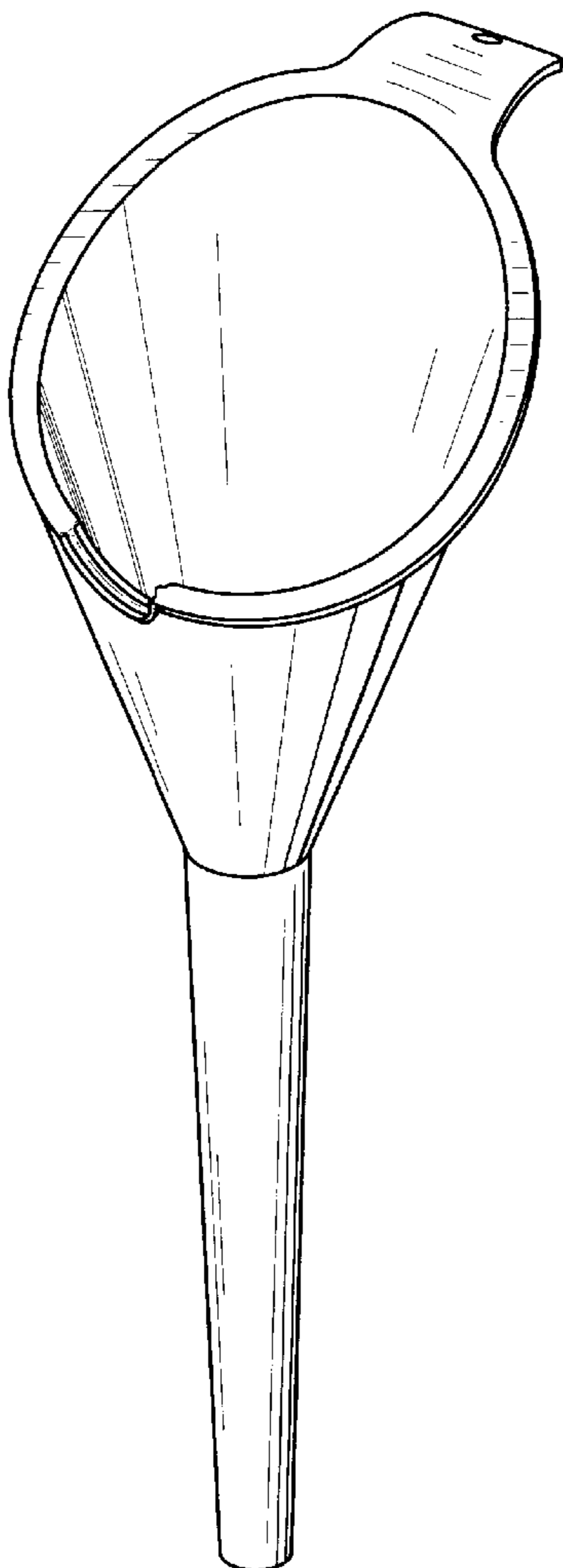
FIG. 6 is a bottom plan view of the funnel.

[56] References Cited

U.S. PATENT DOCUMENTS

D. 383,949 9/1997 Lown .

1 Claim, 1 Drawing Sheet



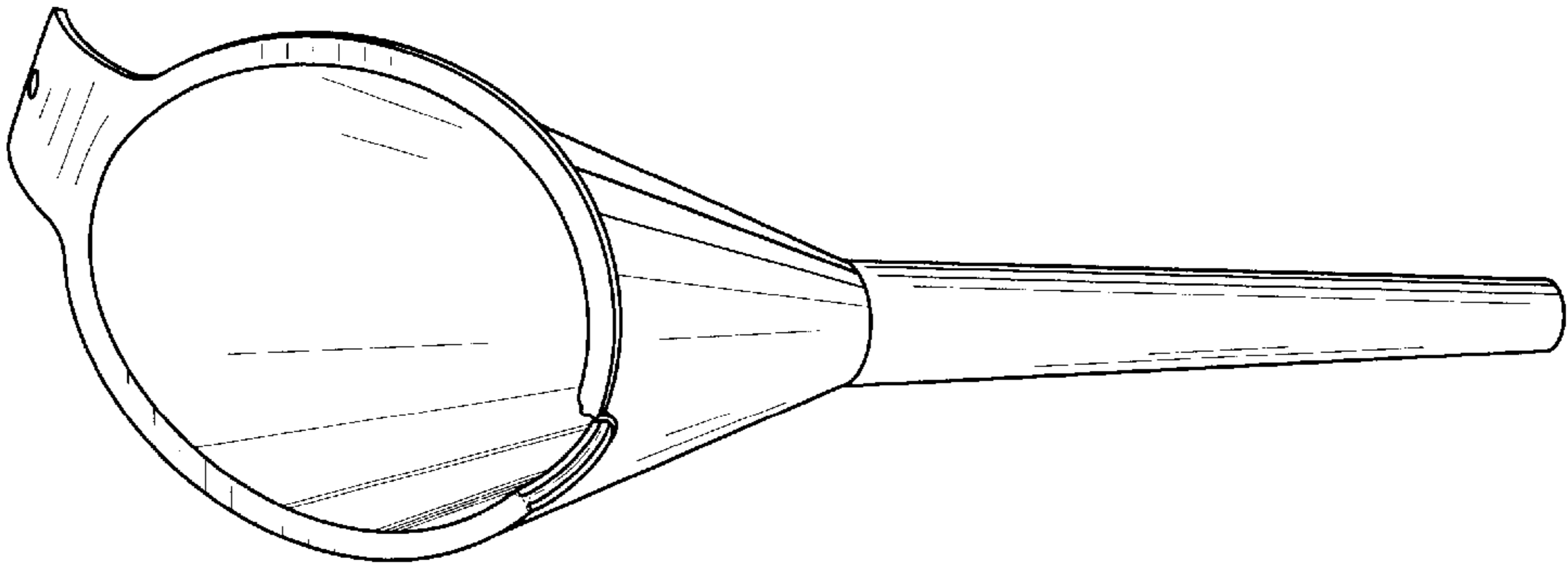


Fig. 1.

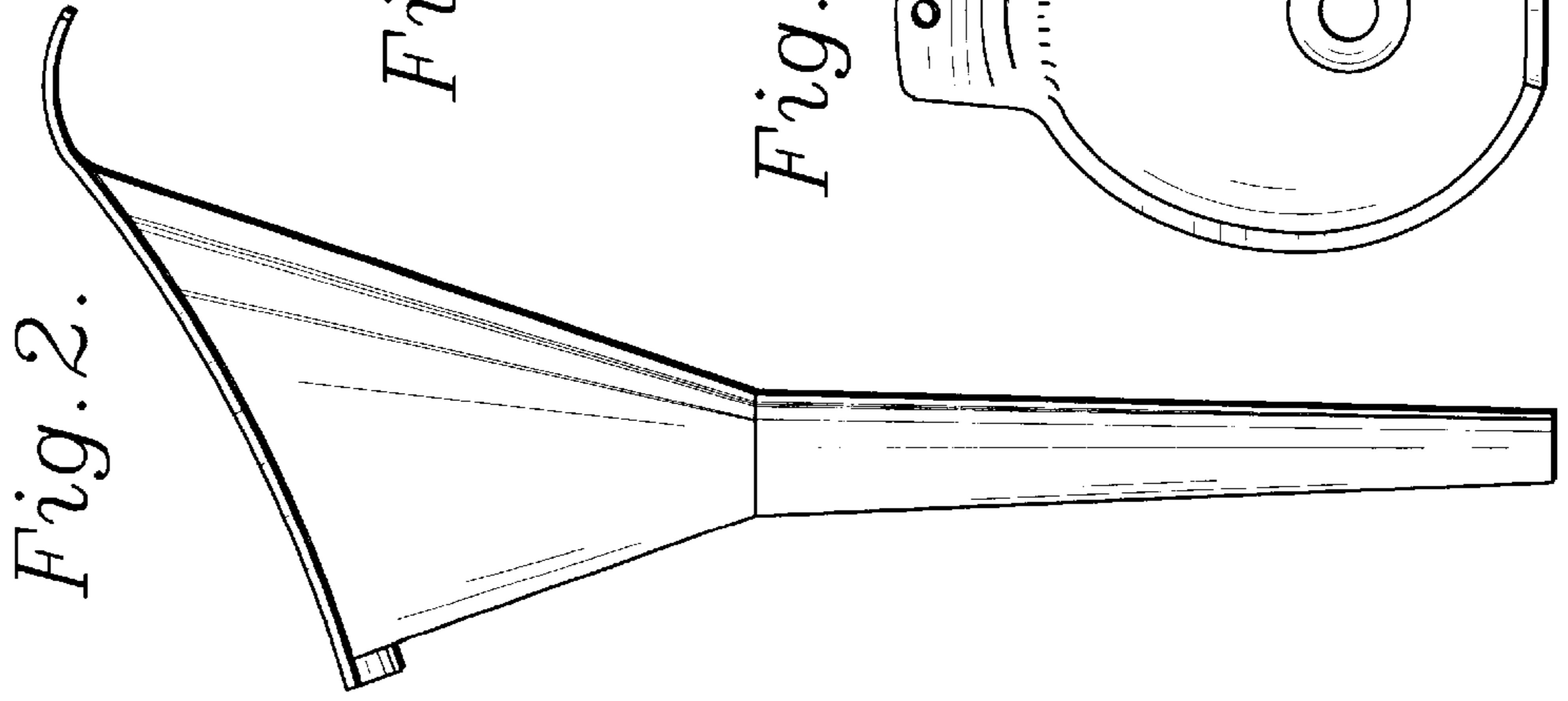


Fig. 2.

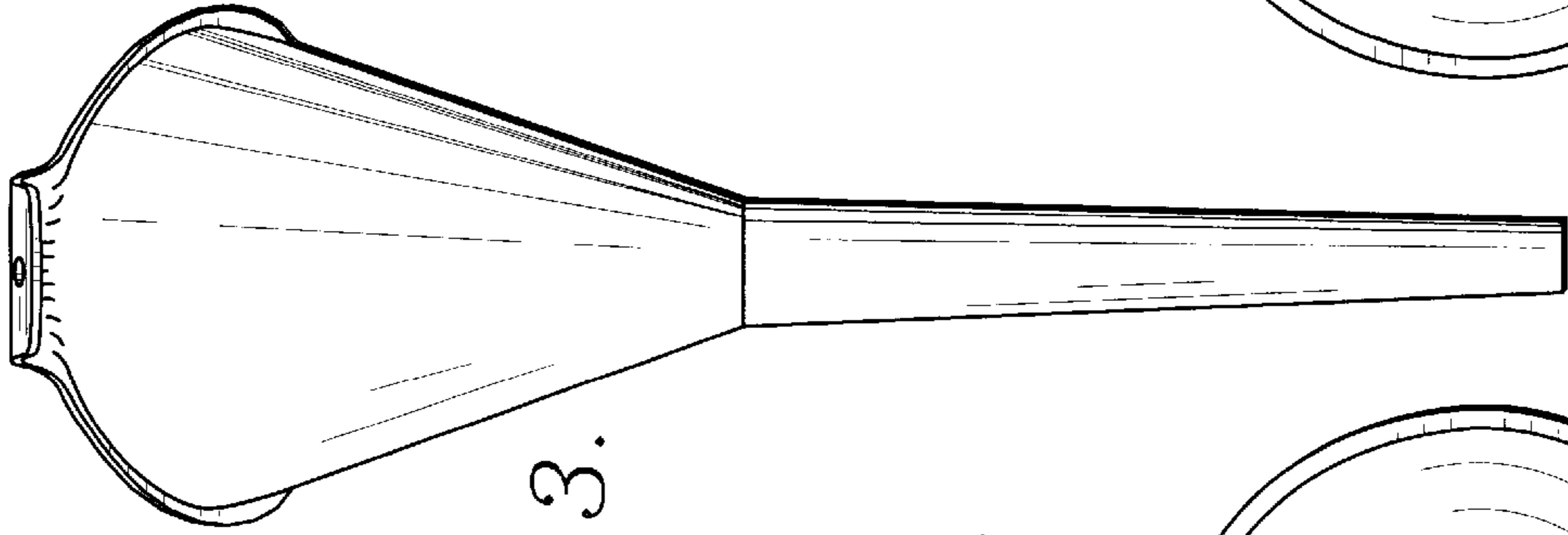


Fig. 3.

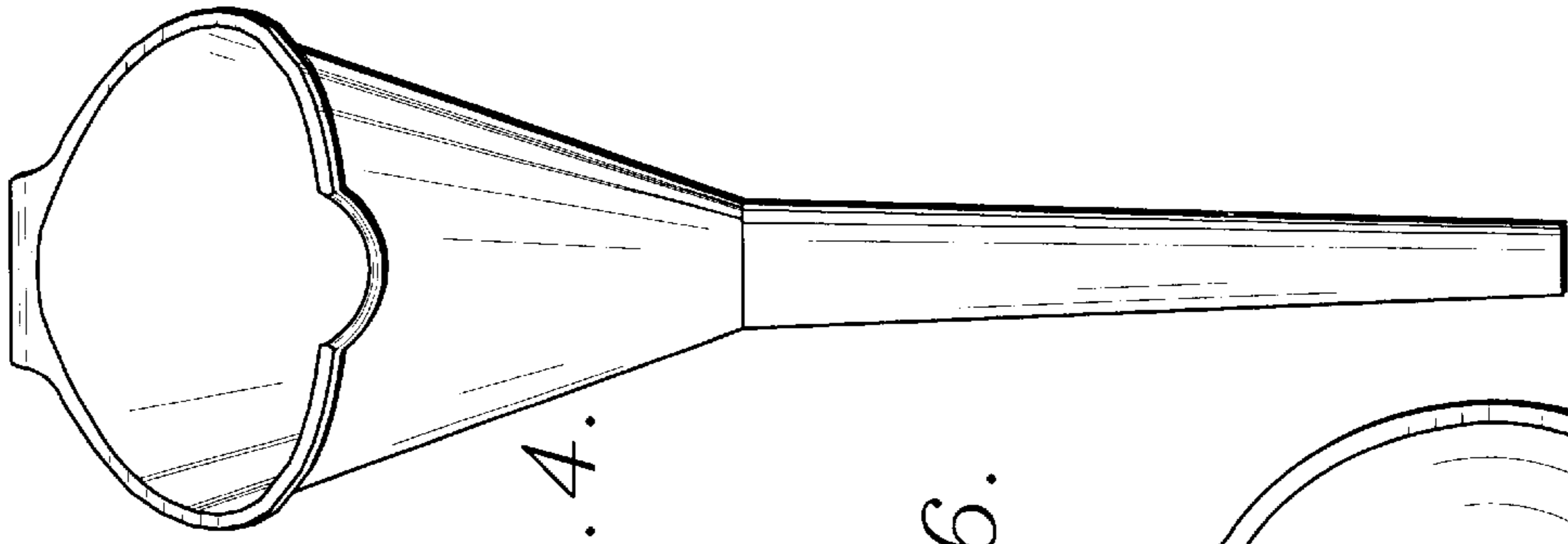


Fig. 4.

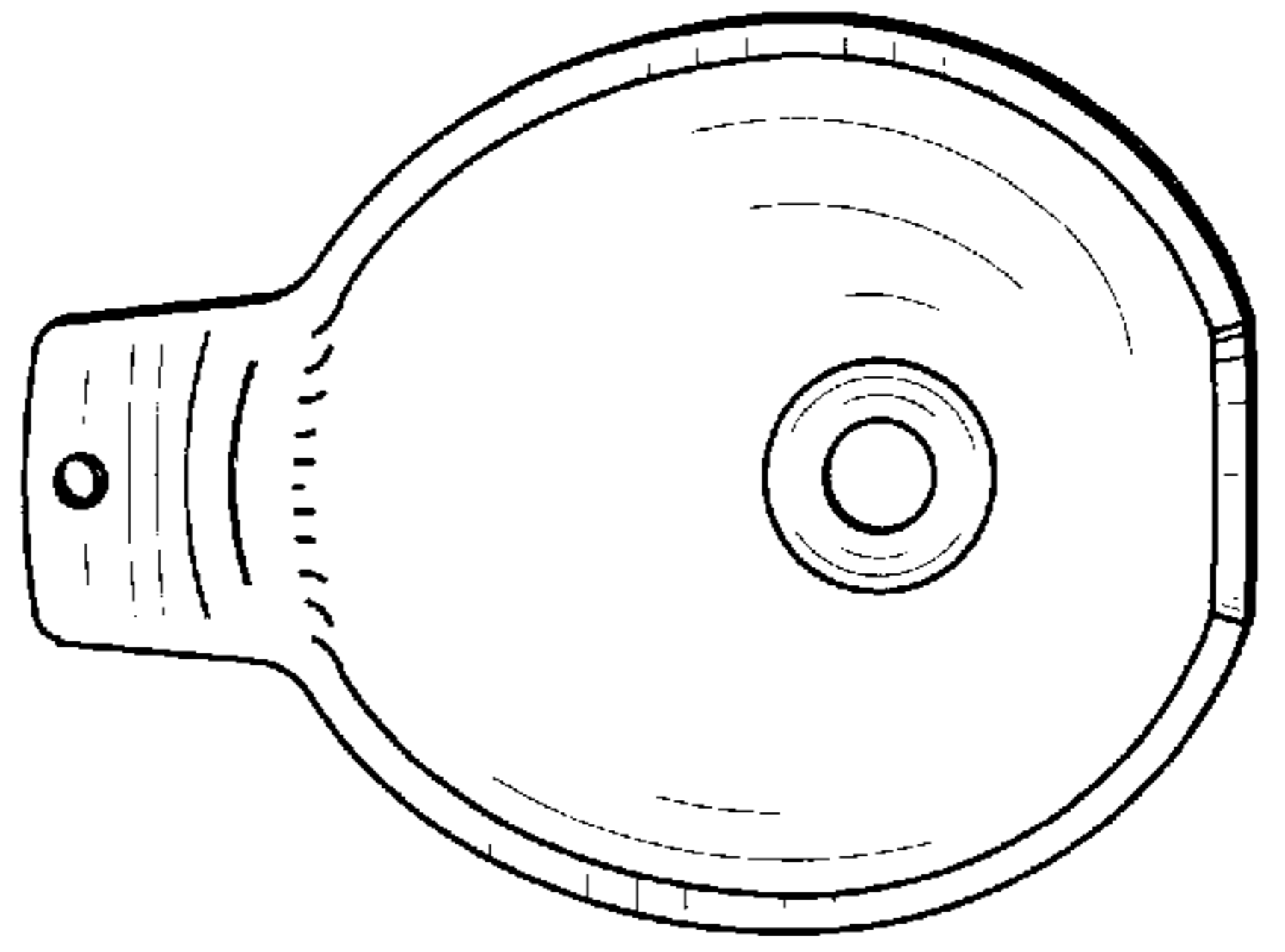


Fig. 5.

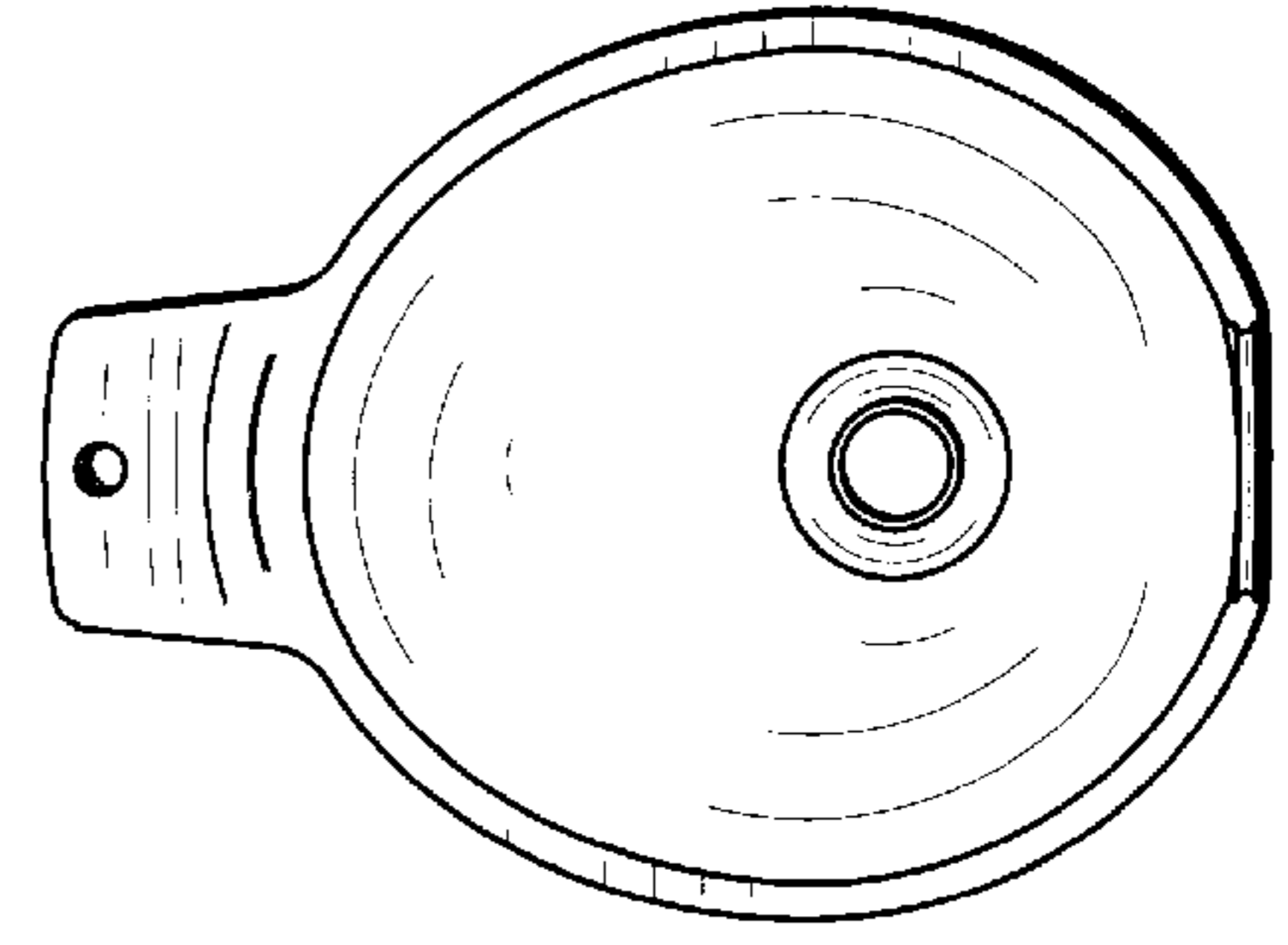


Fig. 6.