



US00D422668S

# United States Patent [19] Saunders

[11] Patent Number: Des. 422,668

[45] Date of Patent: \*\* Apr. 11, 2000

[54] SHADE STRUCTURE

[75] Inventor: John Saunders, Irvine, Calif.

[73] Assignee: Shade Structures, Irvine, Calif.

[\*\*] Term: 14 Years

[21] Appl. No.: 29/098,594

[22] Filed: Dec. 31, 1998

[51] LOC (6) Cl. .... 21-04

[52] U.S. Cl. .... D21/837; D25/56

[58] Field of Search ..... D21/834-839;  
D25/17, 21, 56; 135/96, 97, 115-117, 123-126,  
128, 136, 139, 143, 156

[56] References Cited

U.S. PATENT DOCUMENTS

D. 337,144	7/1993	Spaulding	.....	D21/837
D. 361,363	8/1995	Sandberg et al.	.....	D21/837
D. 375,800	11/1996	Wagner	.....	D25/56
2,881,718	4/1959	Stromeyer	.	
4,313,279	2/1982	Greenbaum	.	
5,441,067	8/1995	James et al.	.....	135/96
5,597,005	1/1997	Thomas	.....	135/87

Primary Examiner—Sandra L. Morris

Attorney, Agent, or Firm—Liniak, Berenato, Longacre & White, LLC

[57] CLAIM

The ornamental design for a shade structure, as shown and described.

DESCRIPTION

FIG. 1 is a front view of a first embodiment of the shade structure showing my new design;

FIG. 2 is a rear view of the shade structure shown in FIG. 1;

FIG. 3 is a right side view of the shade structure shown in FIG. 1 (left view is a mirror image);

FIG. 4 is a bottom view of the shade structure shown in FIG. 1;

FIG. 5 is a top view of the shade structure shown in FIG. 1; FIG. 6 is a top and left side perspective view of the shade structure shown in FIG. 1;

FIG. 7 is a front view of a second embodiment of the shade structure showing my new design (rear view is a mirror image);

FIG. 8 is a right side view of the shade structure shown in FIG. 7 (left view is a mirror image);

FIG. 9 is a top view of the shade structure shown in FIG. 7; FIG. 10 is a bottom view of the shade structure shown in FIG. 7;

FIG. 11 is a top and left side perspective view of the shade structure shown in FIG. 7;

FIG. 12 is a front view of a third embodiment of the shade structure showing my new design;

FIG. 13 is a right side view of the shade structure shown in FIG. 12 (left view is a mirror image);

FIG. 14 is a bottom view of the shade structure shown in FIG. 12;

FIG. 15 is a top view of the shade structure shown in FIG. 12;

FIG. 16 is a top and left side perspective view of the shade structure shown in FIG. 12;

FIG. 17 is a front view of a fourth embodiment of the shade structure showing my new design (rear view is mirror image);

FIG. 18 is a right side view of the shade structure shown in FIG. 17 (left view is mirror image);

FIG. 19 is a top view of the shade structure shown in FIG. 17;

FIG. 20 is a bottom view of the shade structure shown in FIG. 17; and,

FIG. 21 is a top and left side perspective view of the shade structure shown in FIG. 17.

The broken line showing is for illustrative purposes only, and forms no part of the claimed design. FIGS. 3, 5, 6, 9, 10, 11, 15, 16, 19, 20 and 21 are shown on a reduced scale.

1 Claim, 21 Drawing Sheets

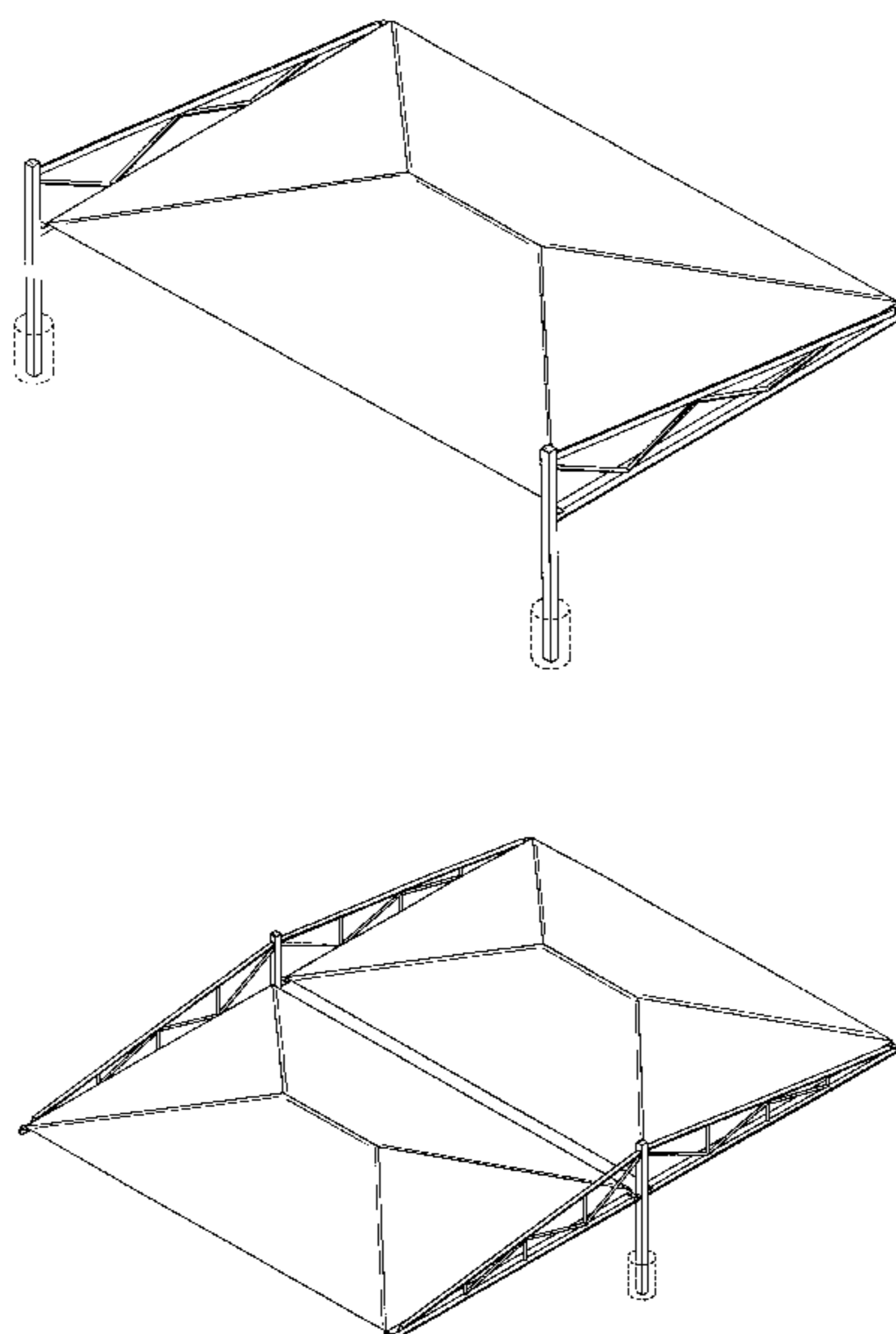


Fig. 1

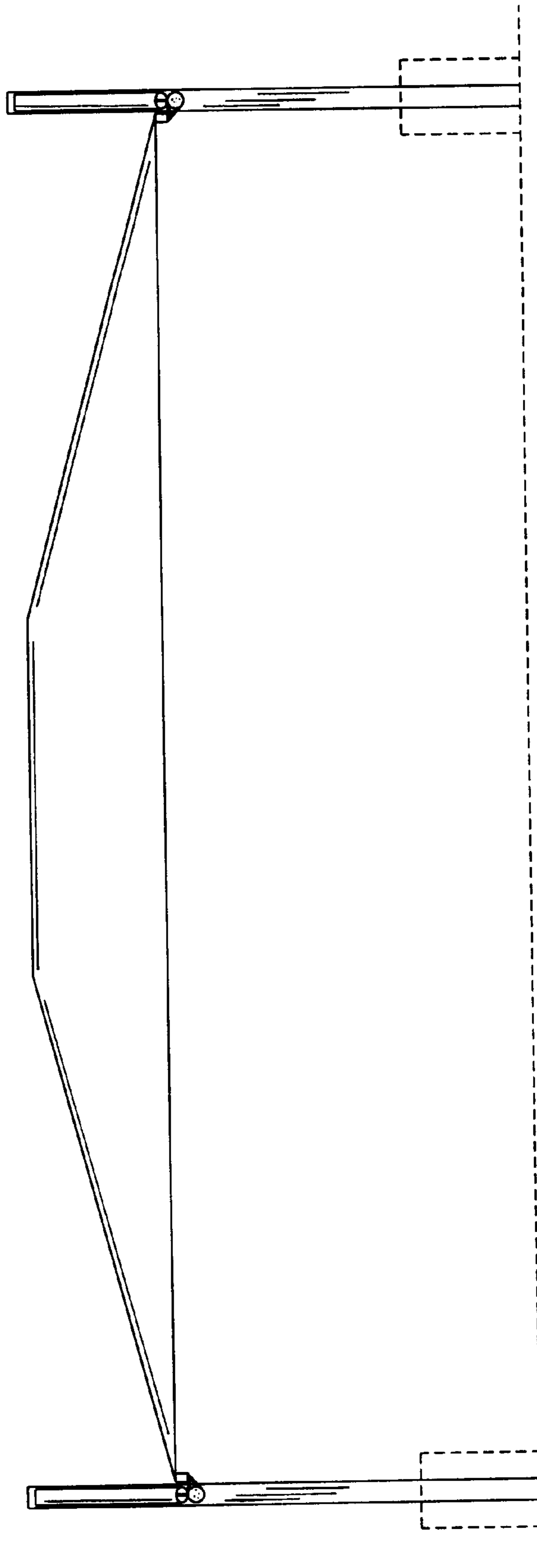


Fig. 2

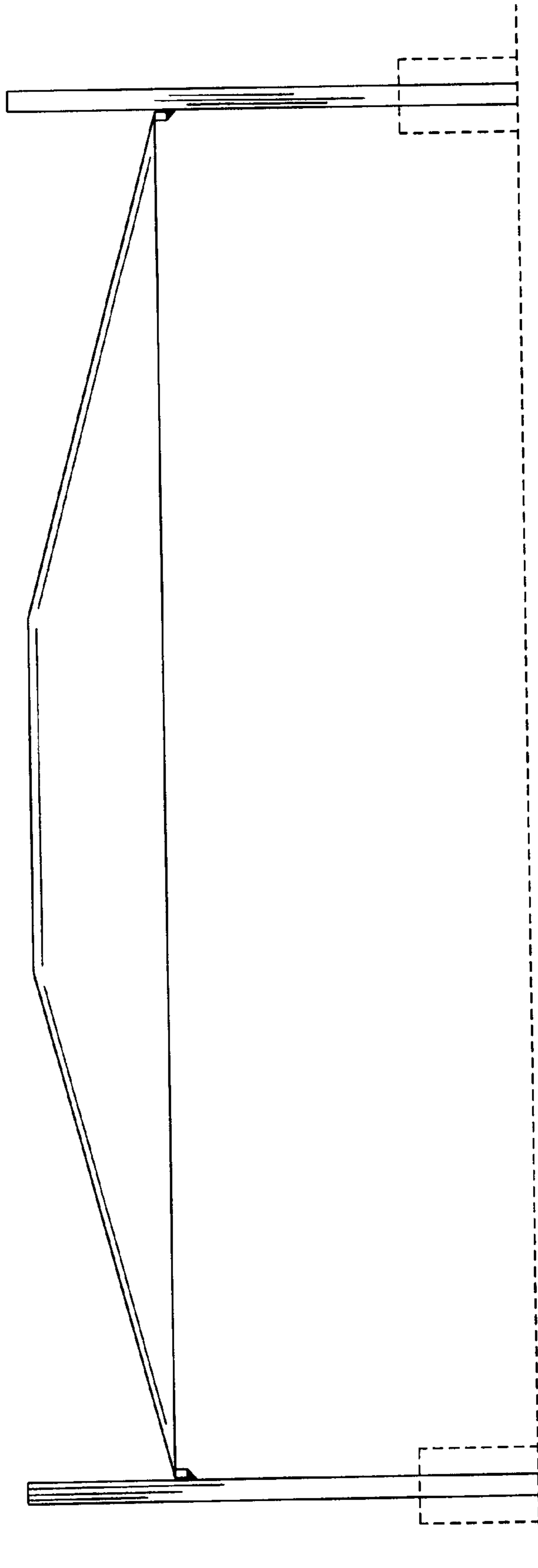


Fig. 3

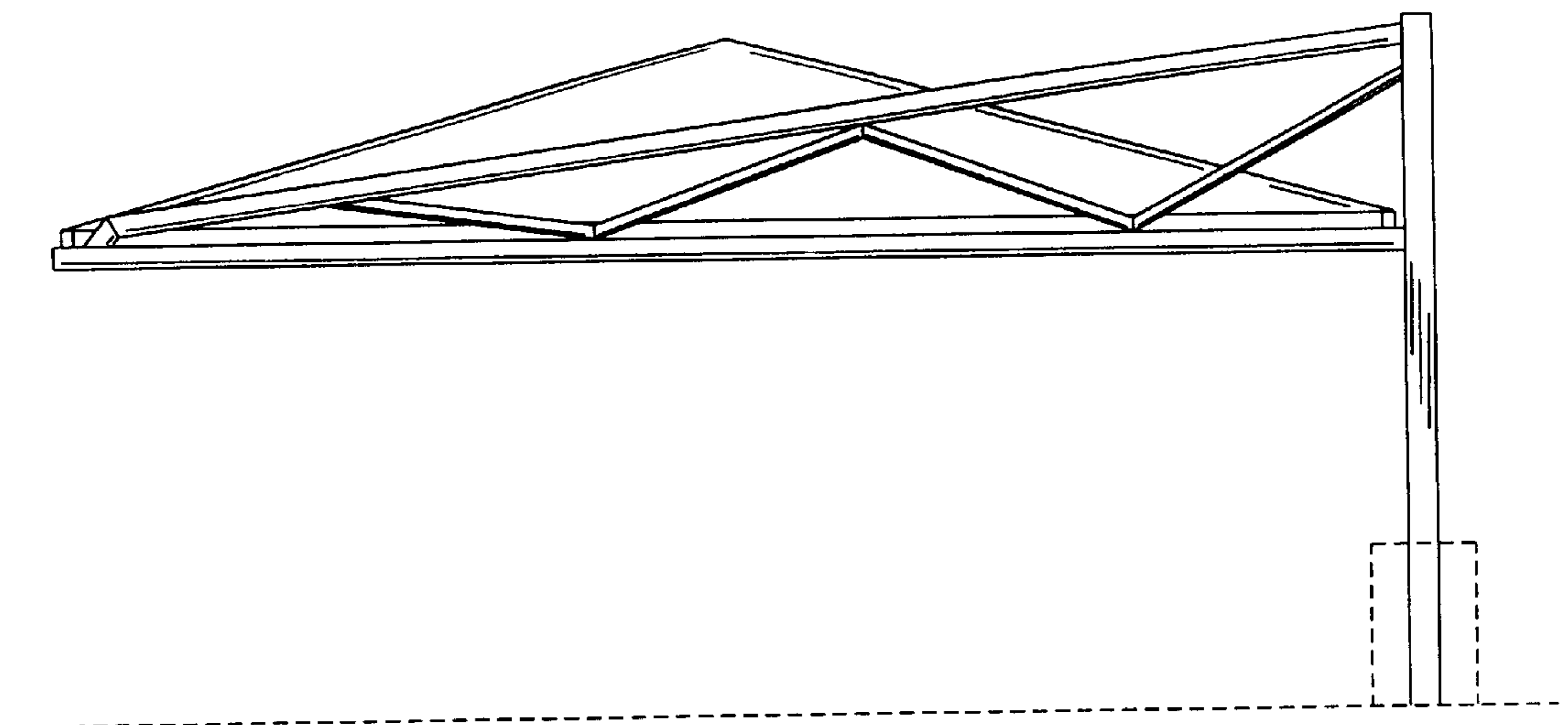


Fig. 4

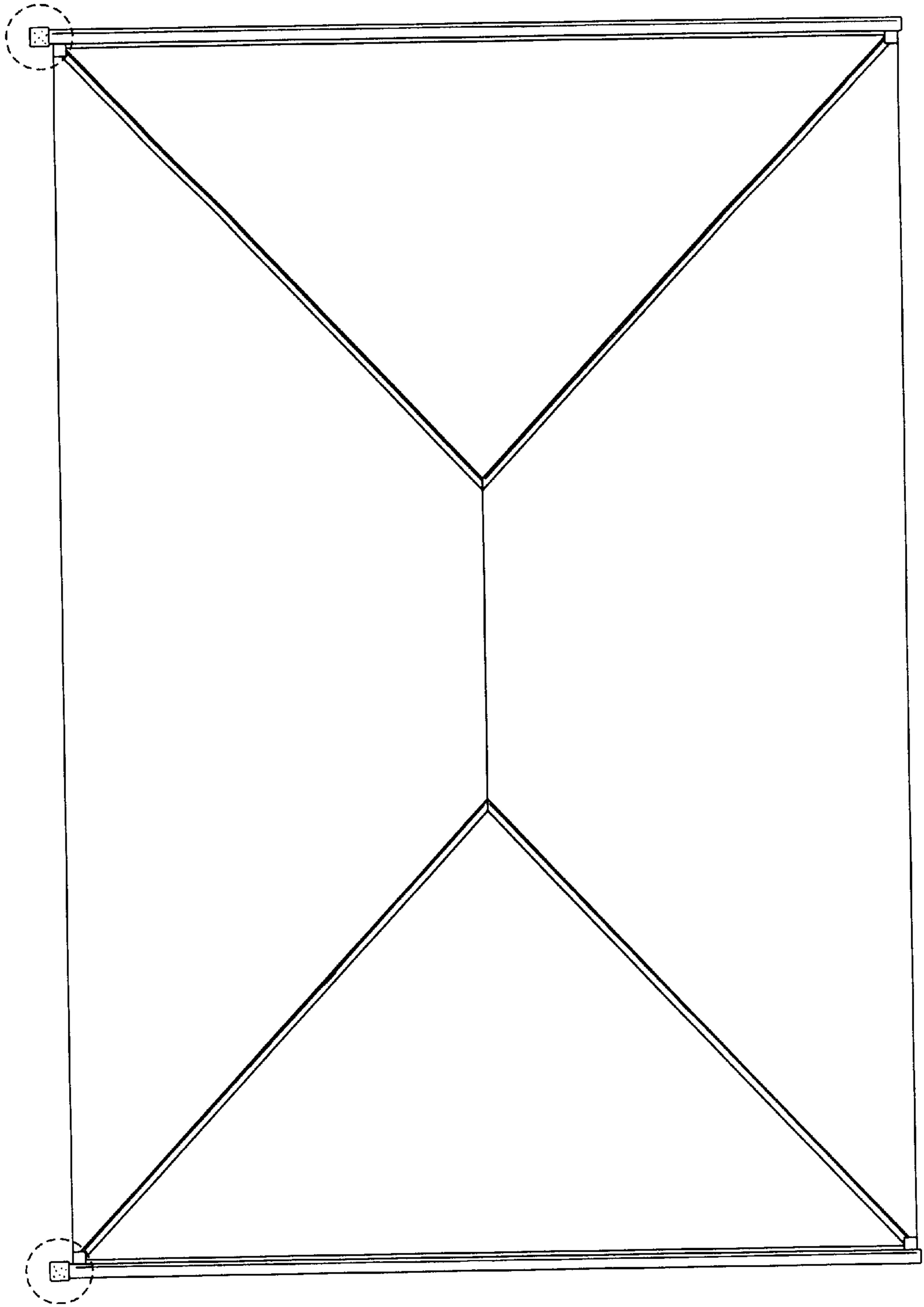


Fig. 5

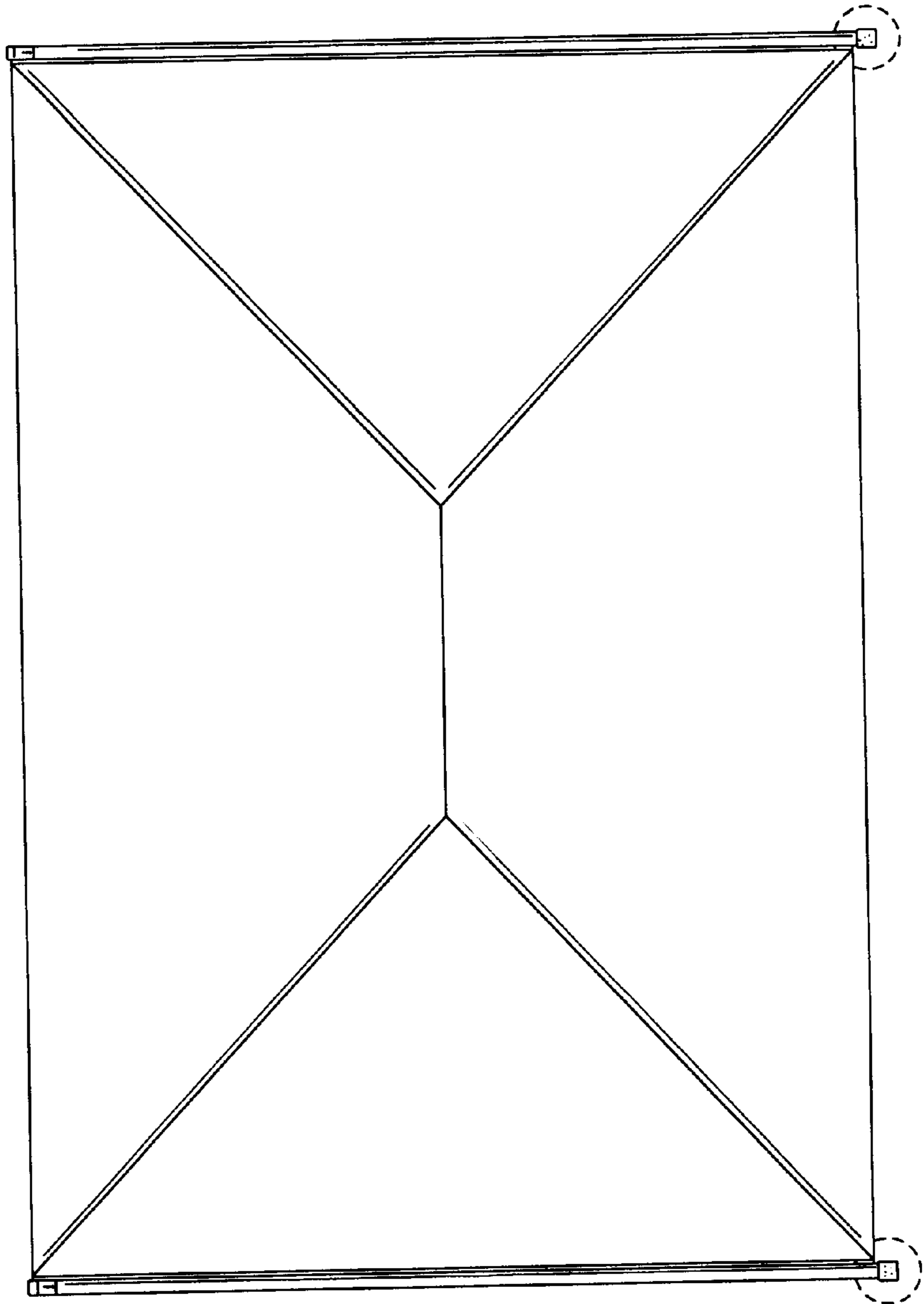


Fig. 6

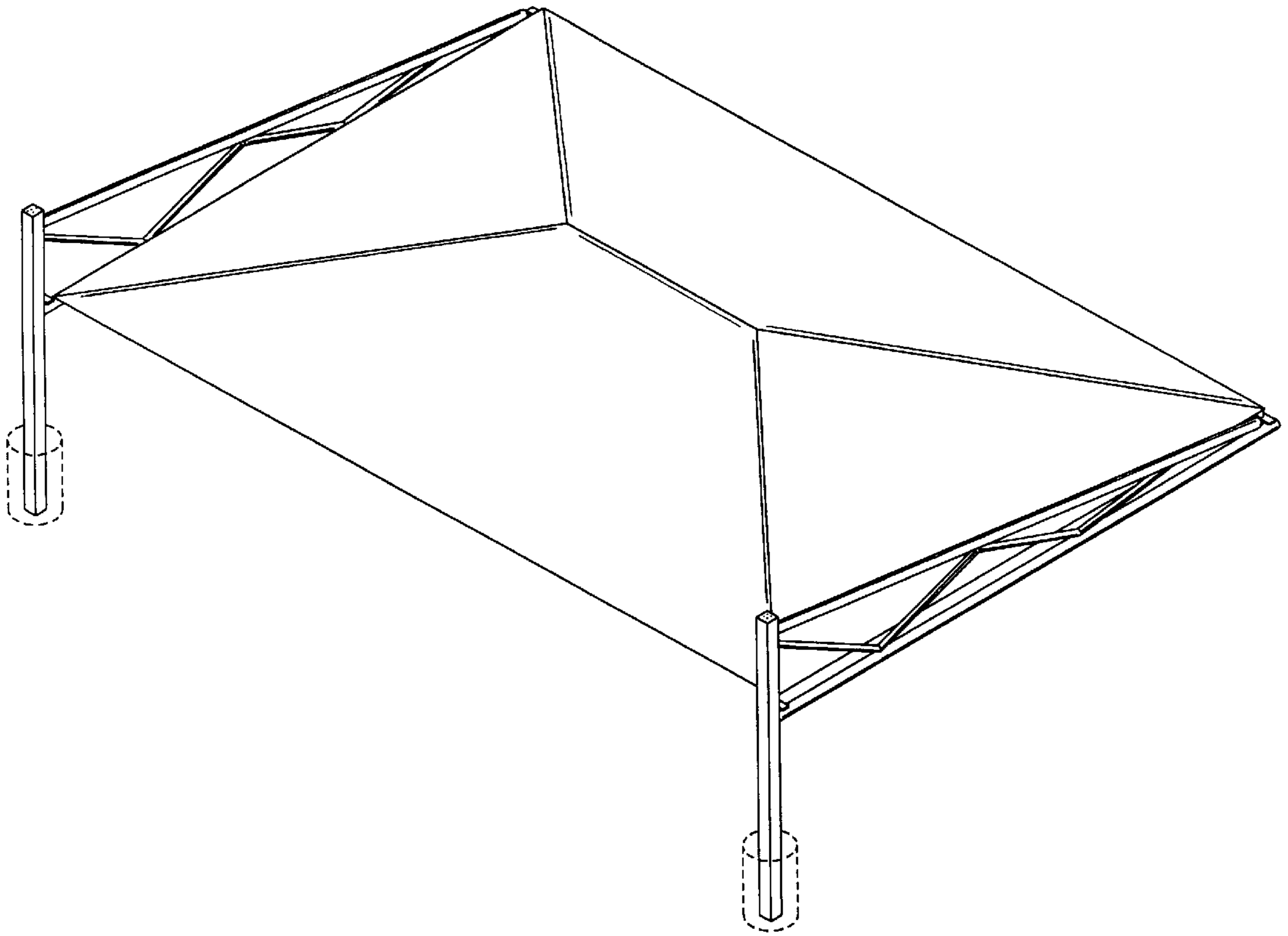


Fig. 7

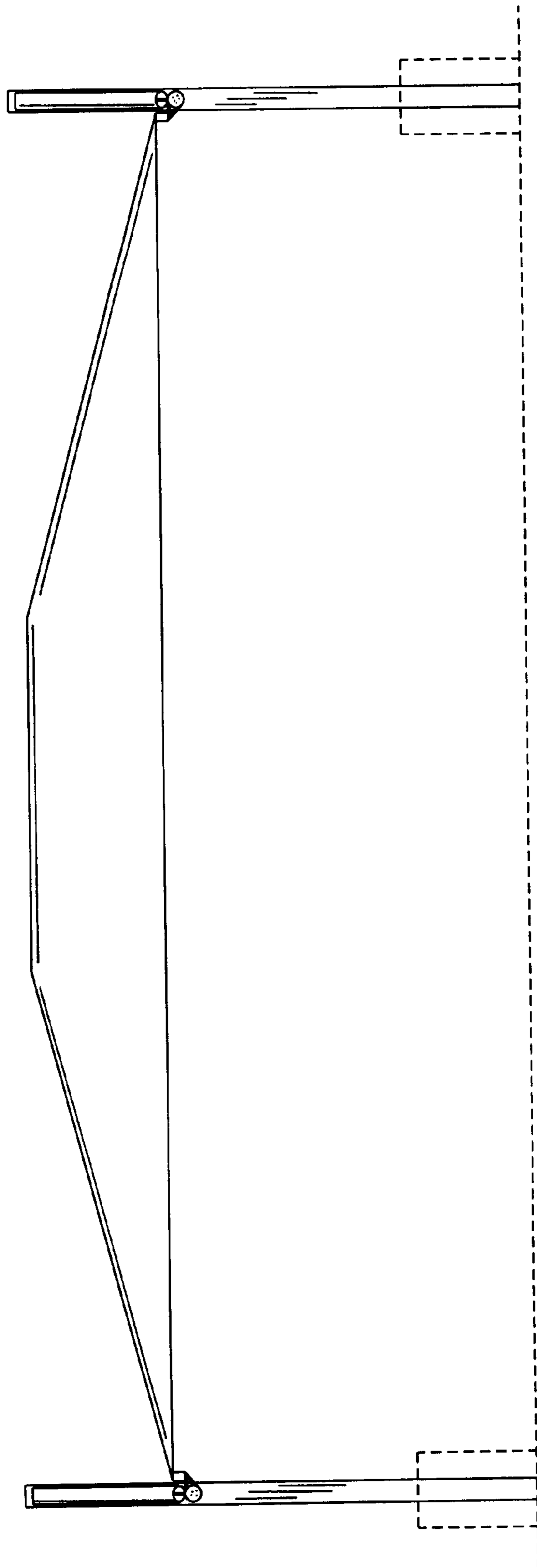




Fig. 8

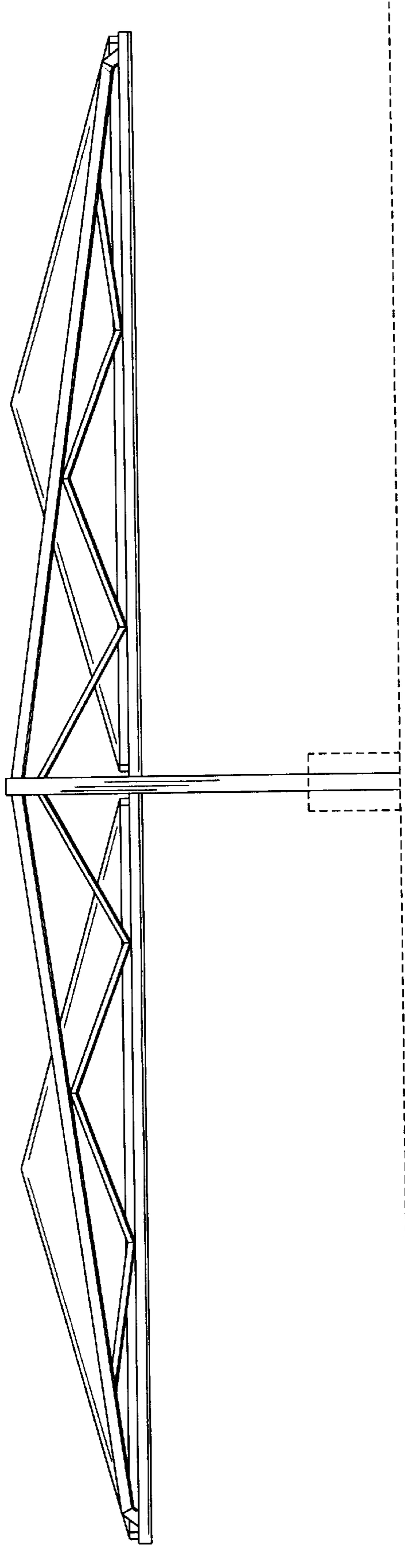


Fig. 9

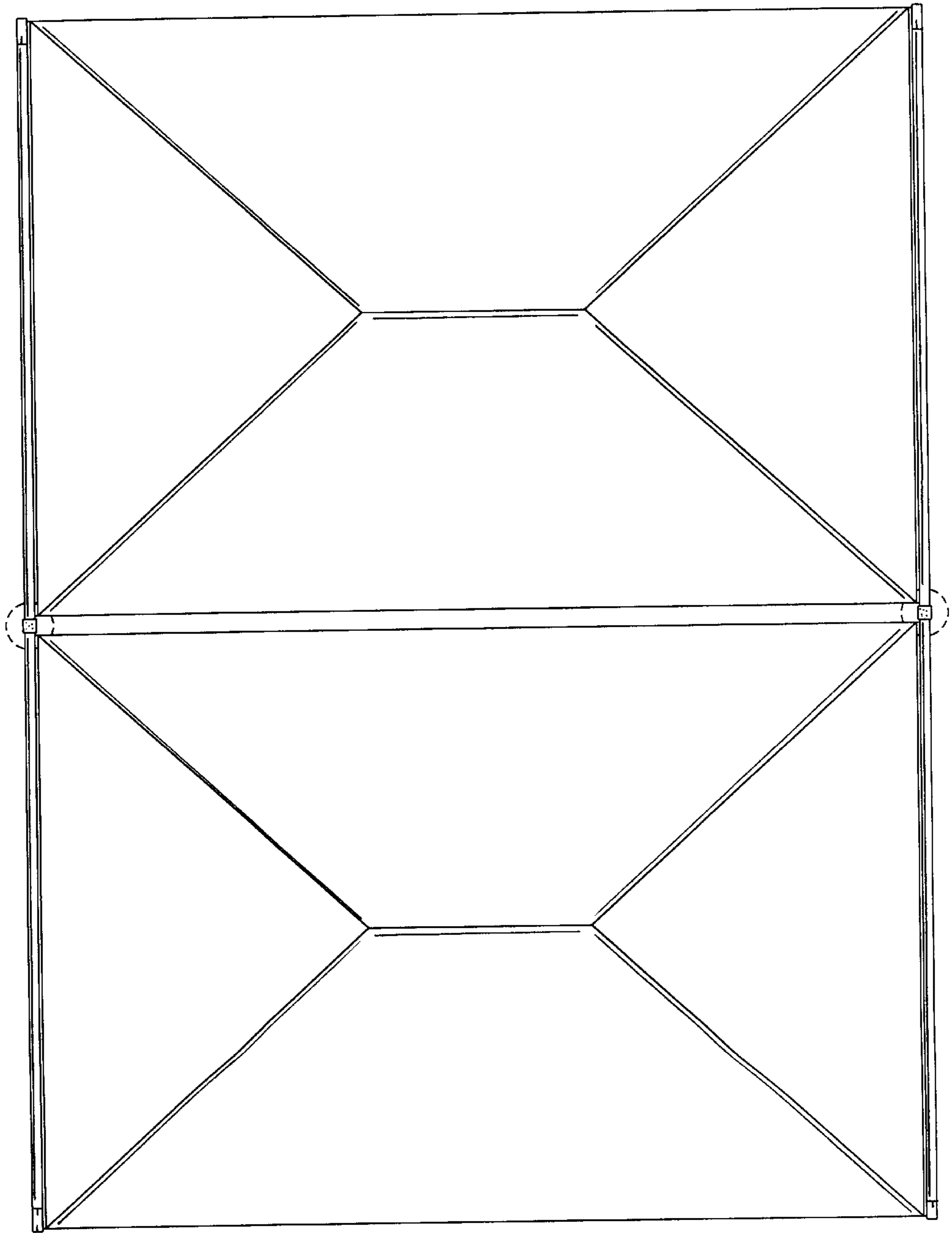


Fig. 10

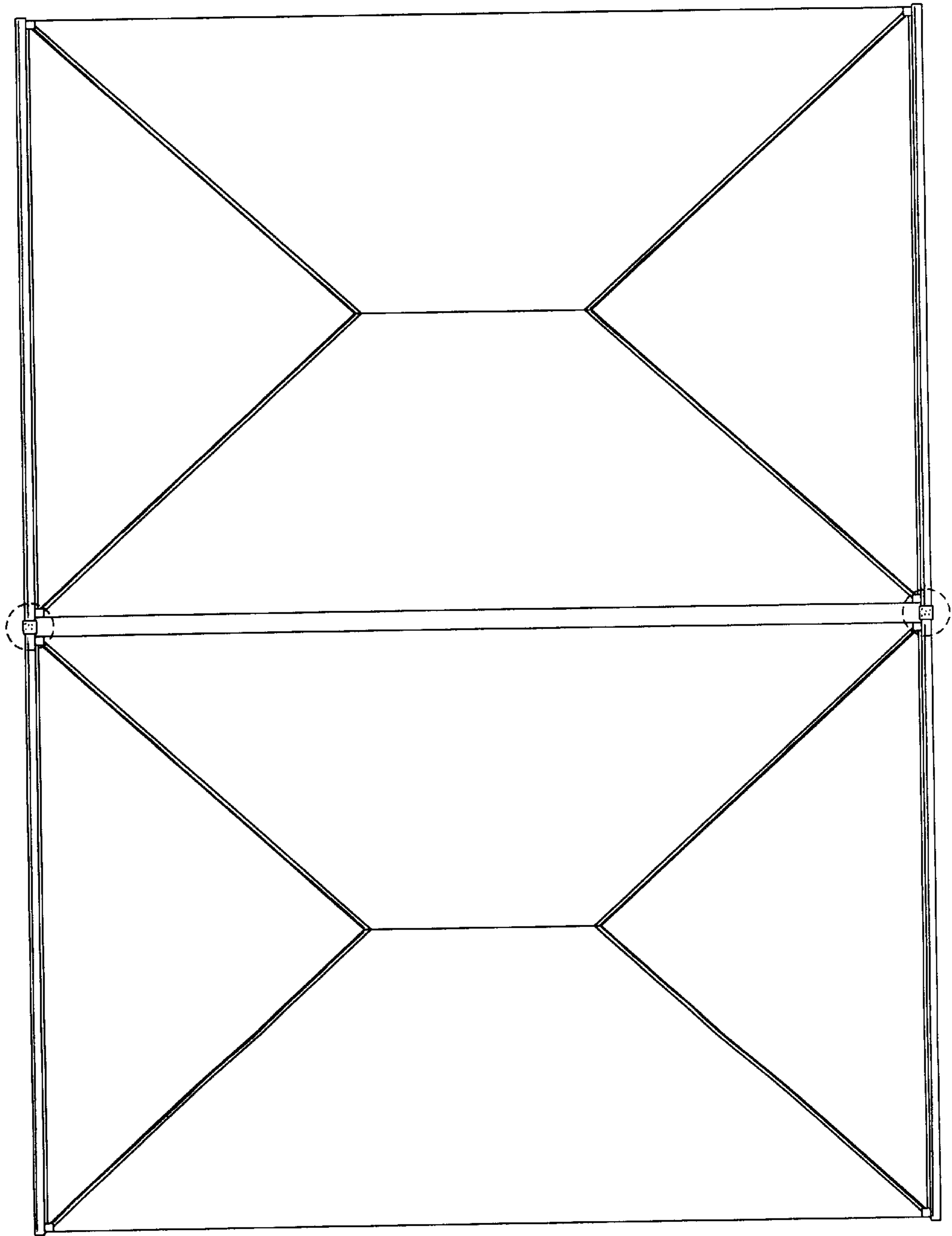


Fig. 11

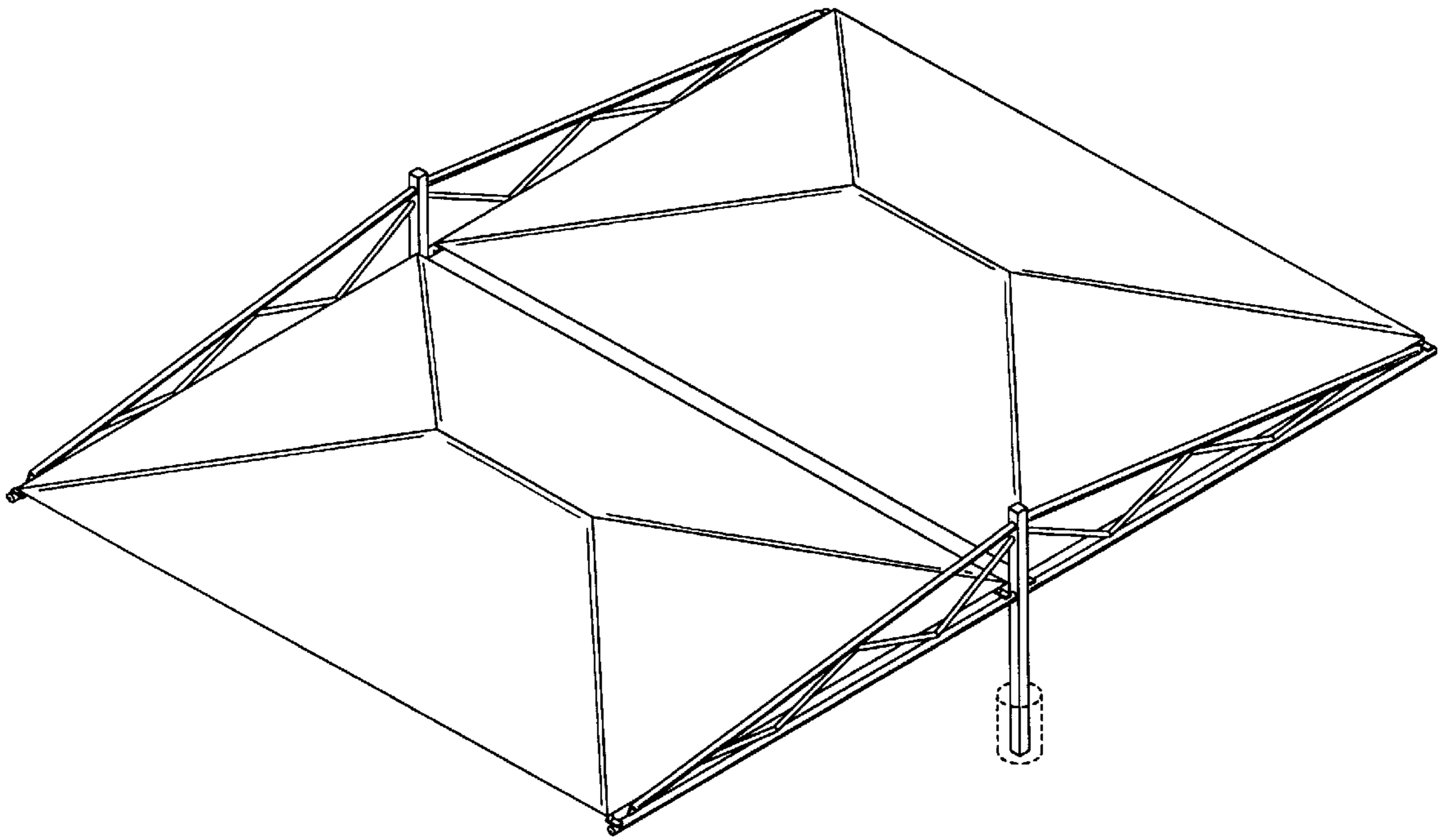


Fig. 12

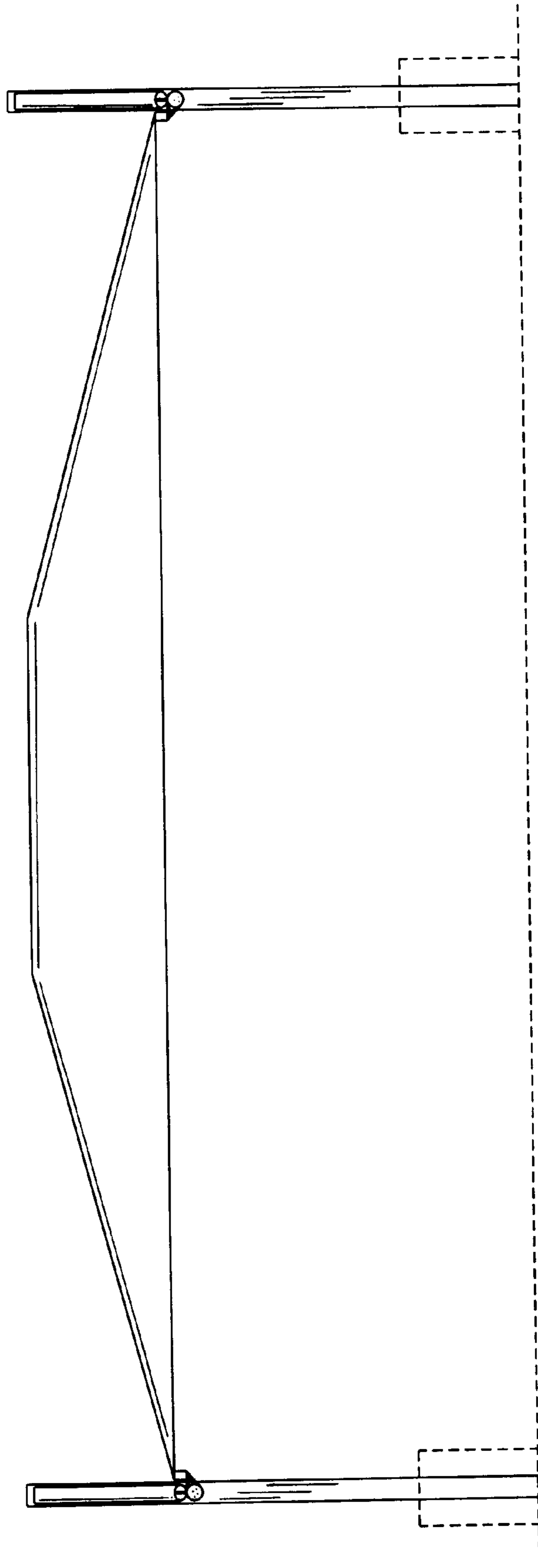


Fig. 13

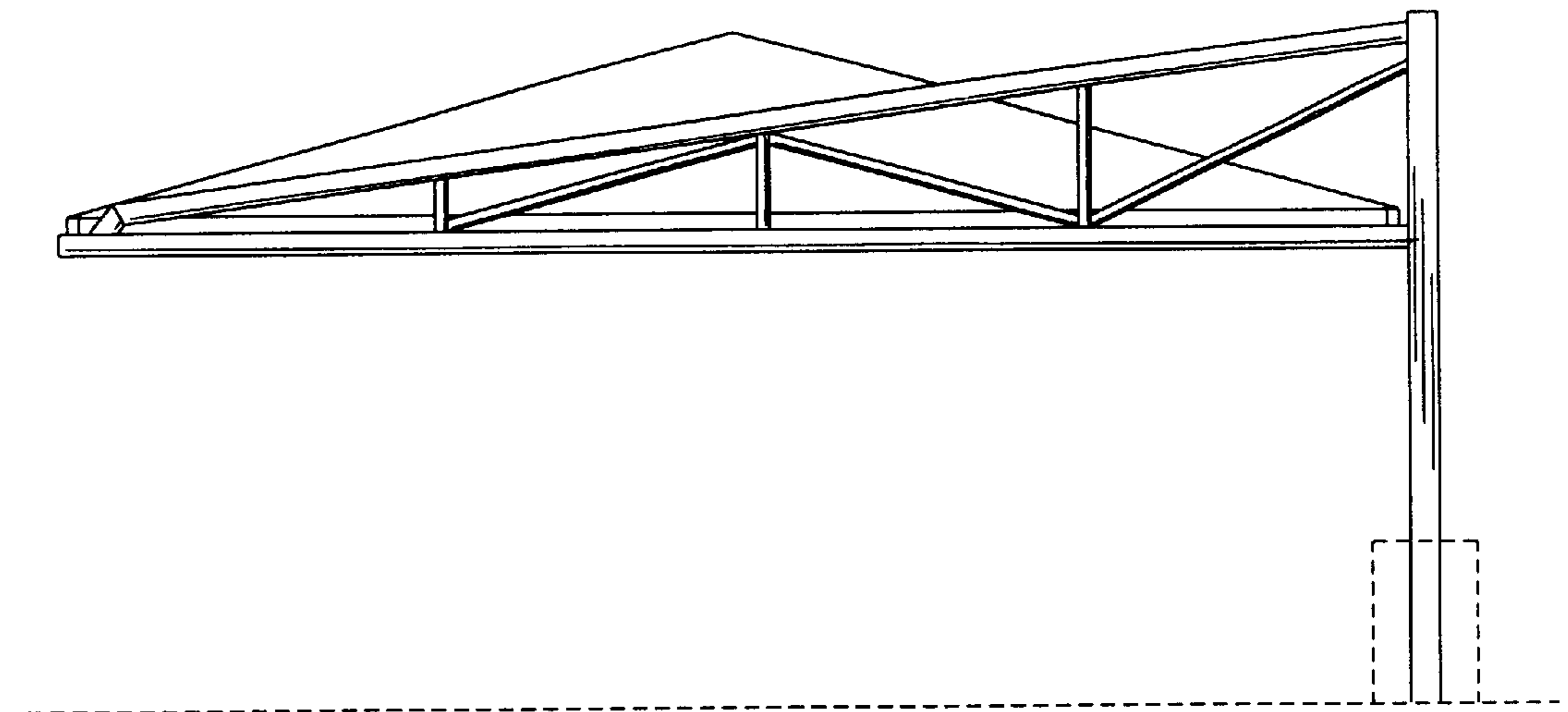


Fig. 14

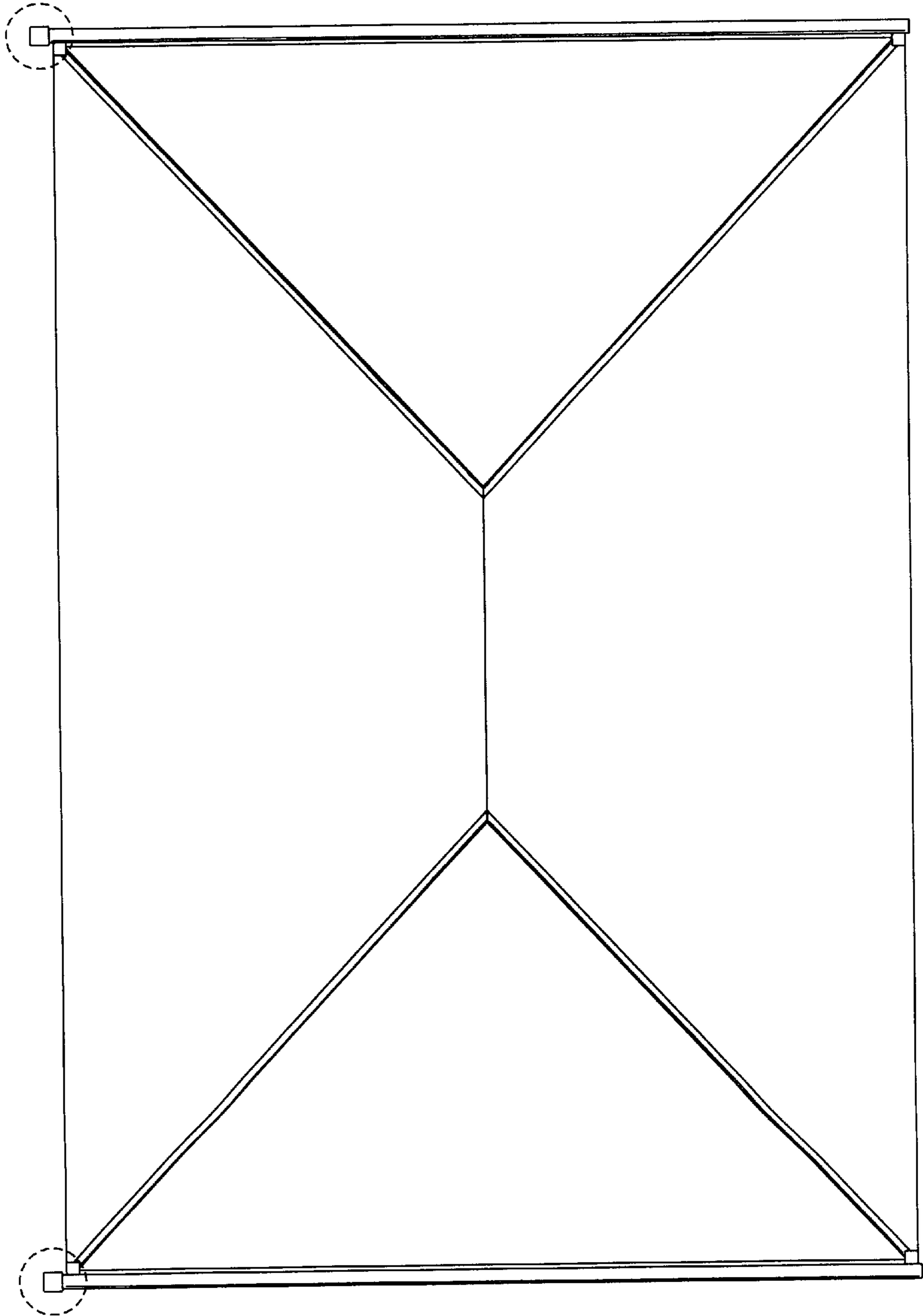


Fig. 15

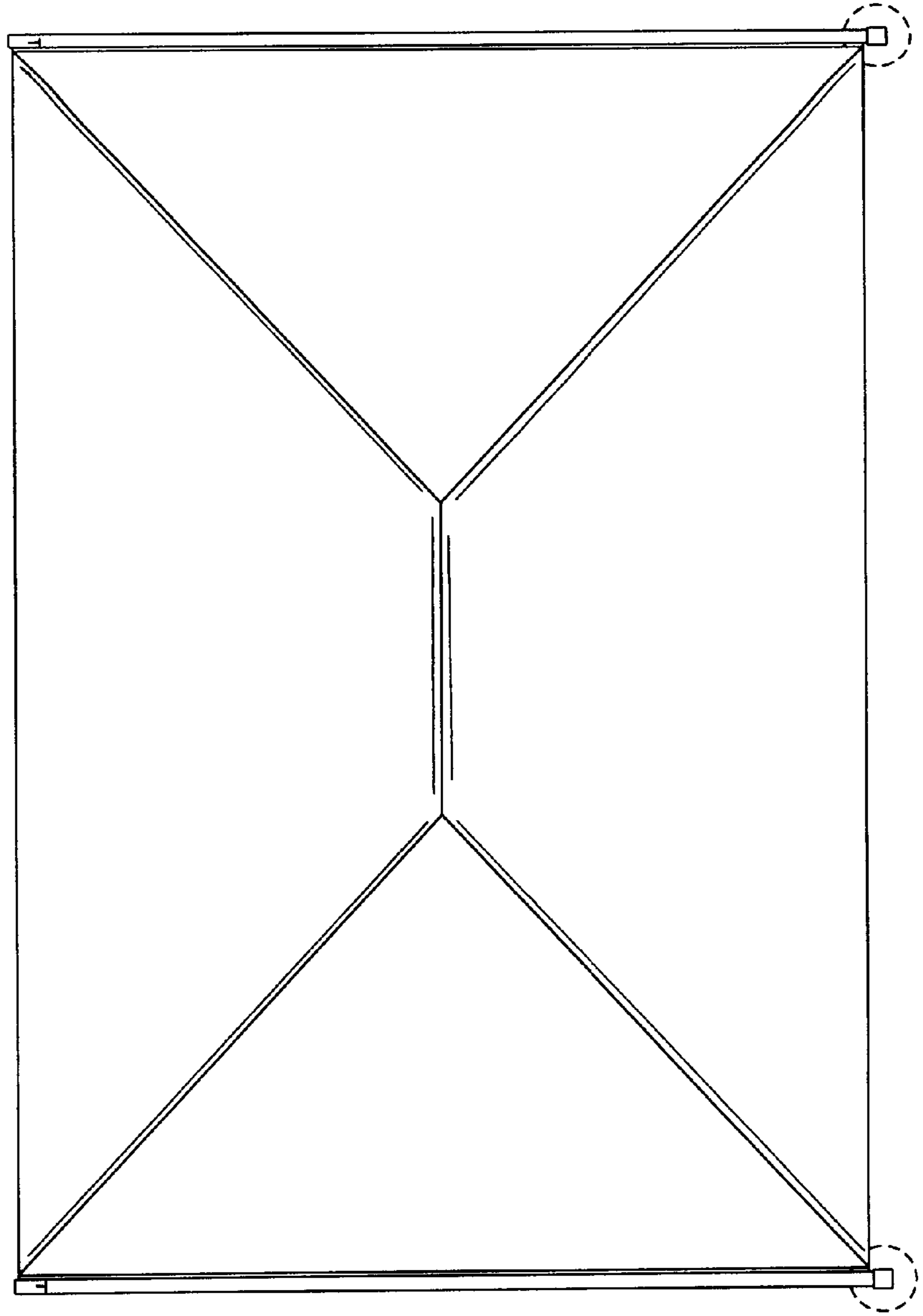




Fig. 16

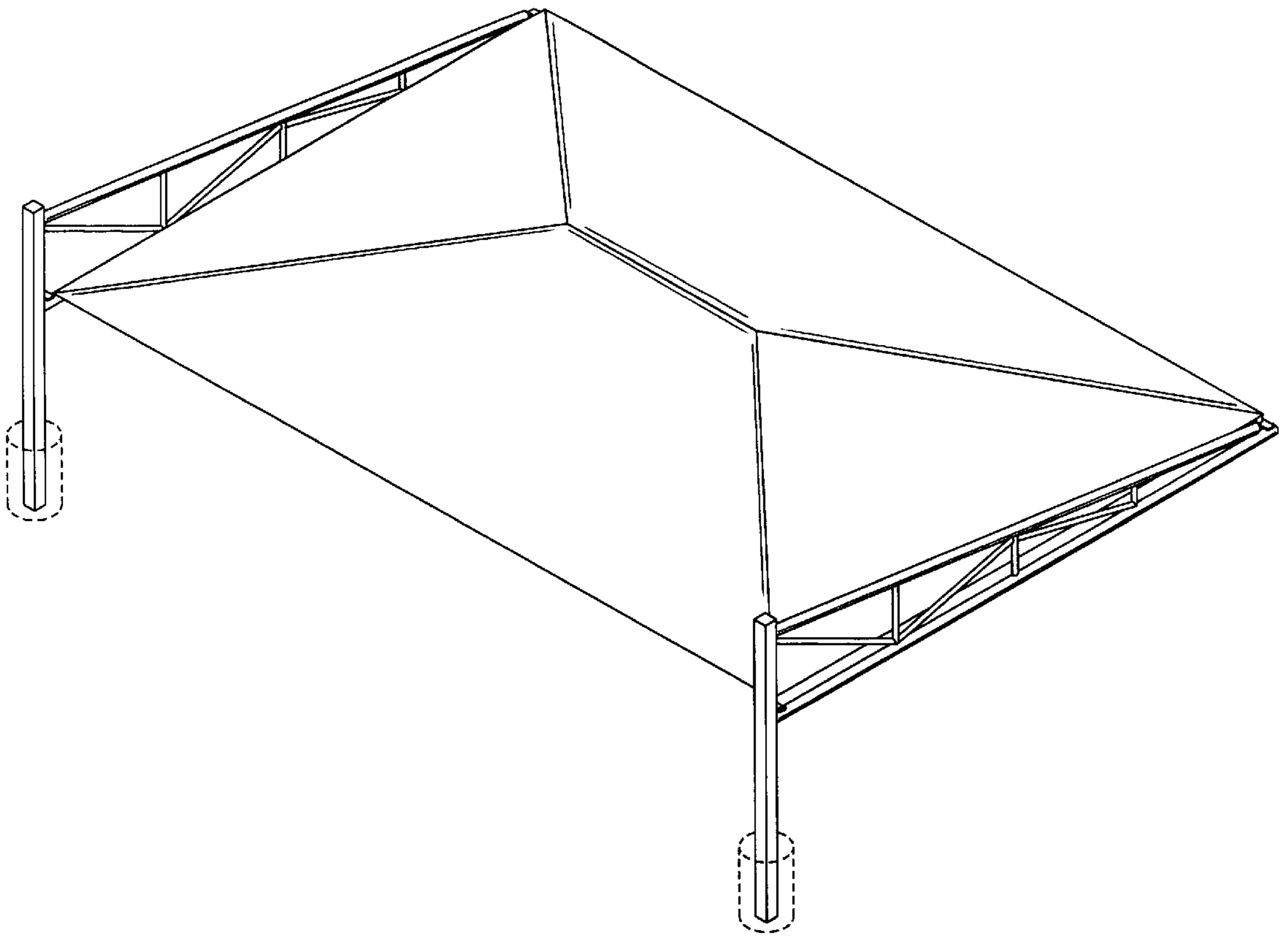


Fig. 17

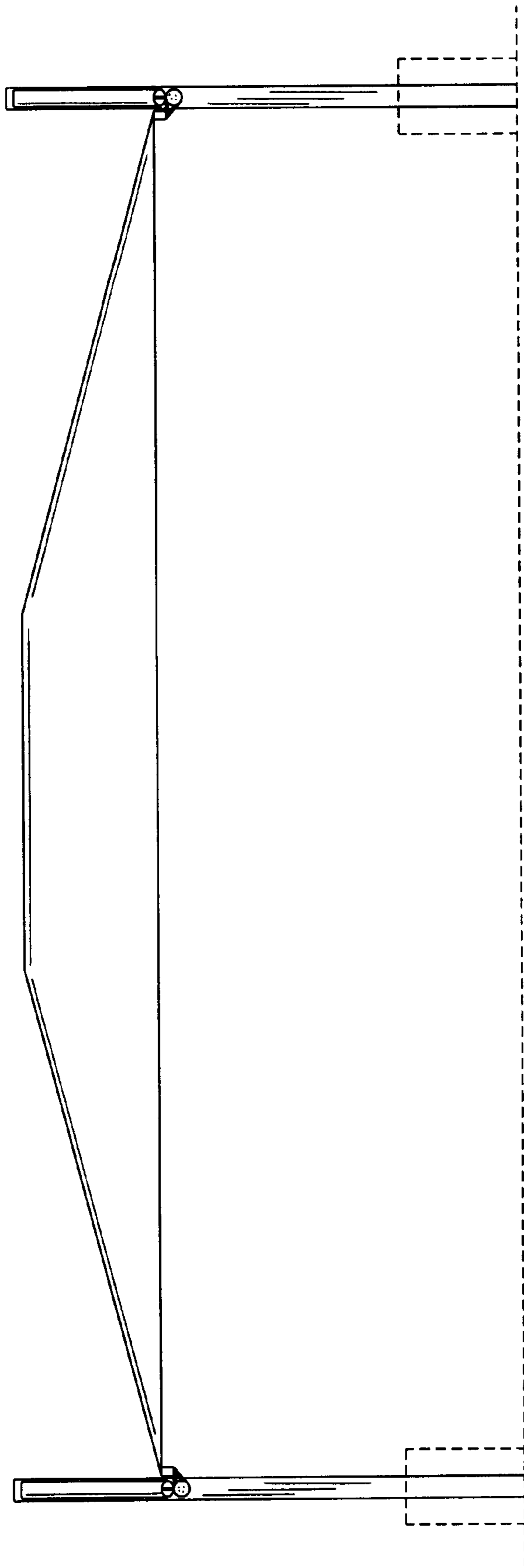


Fig. 18

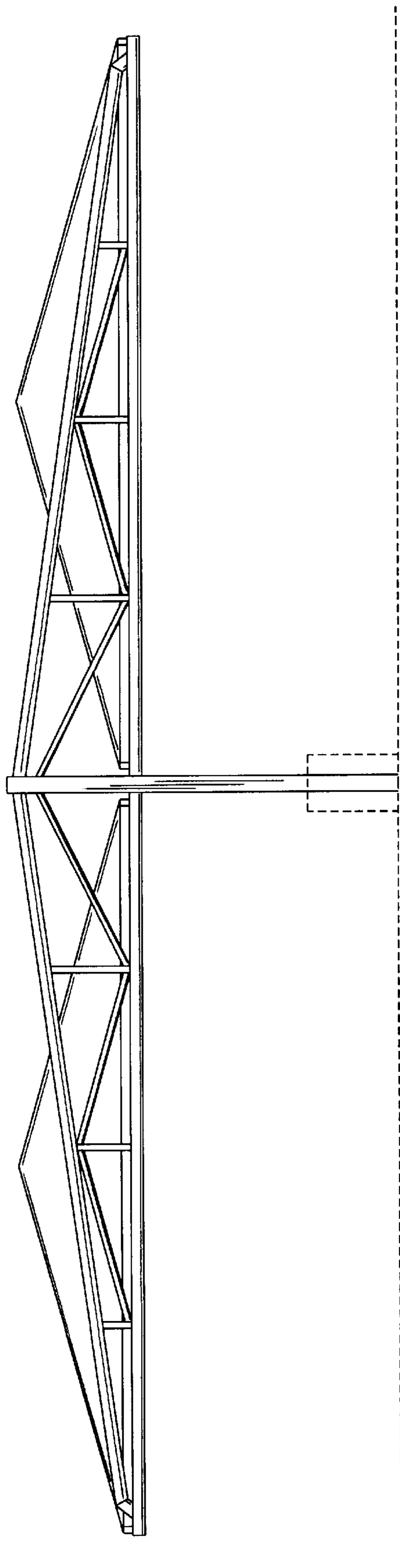


Fig. 19

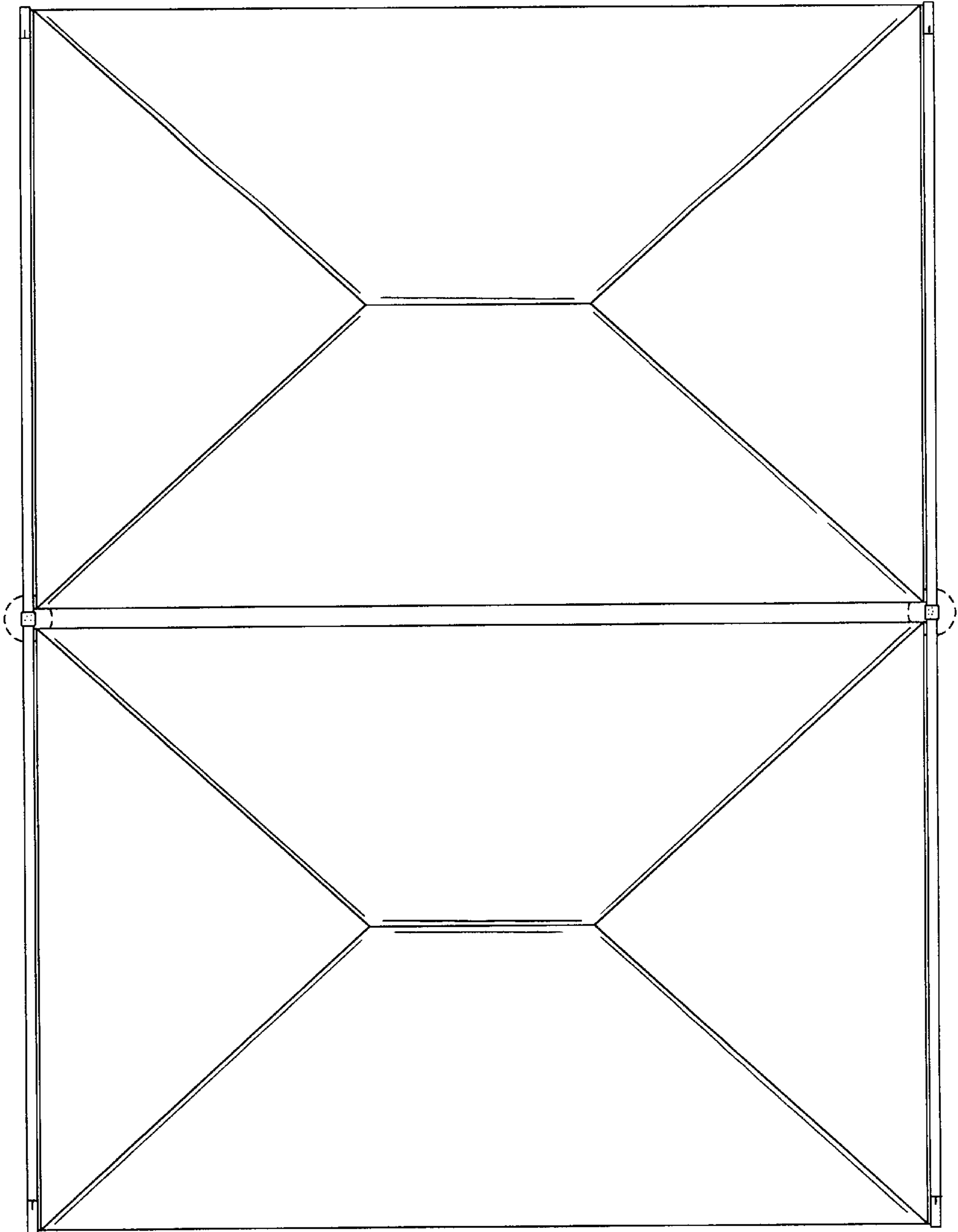


Fig. 20

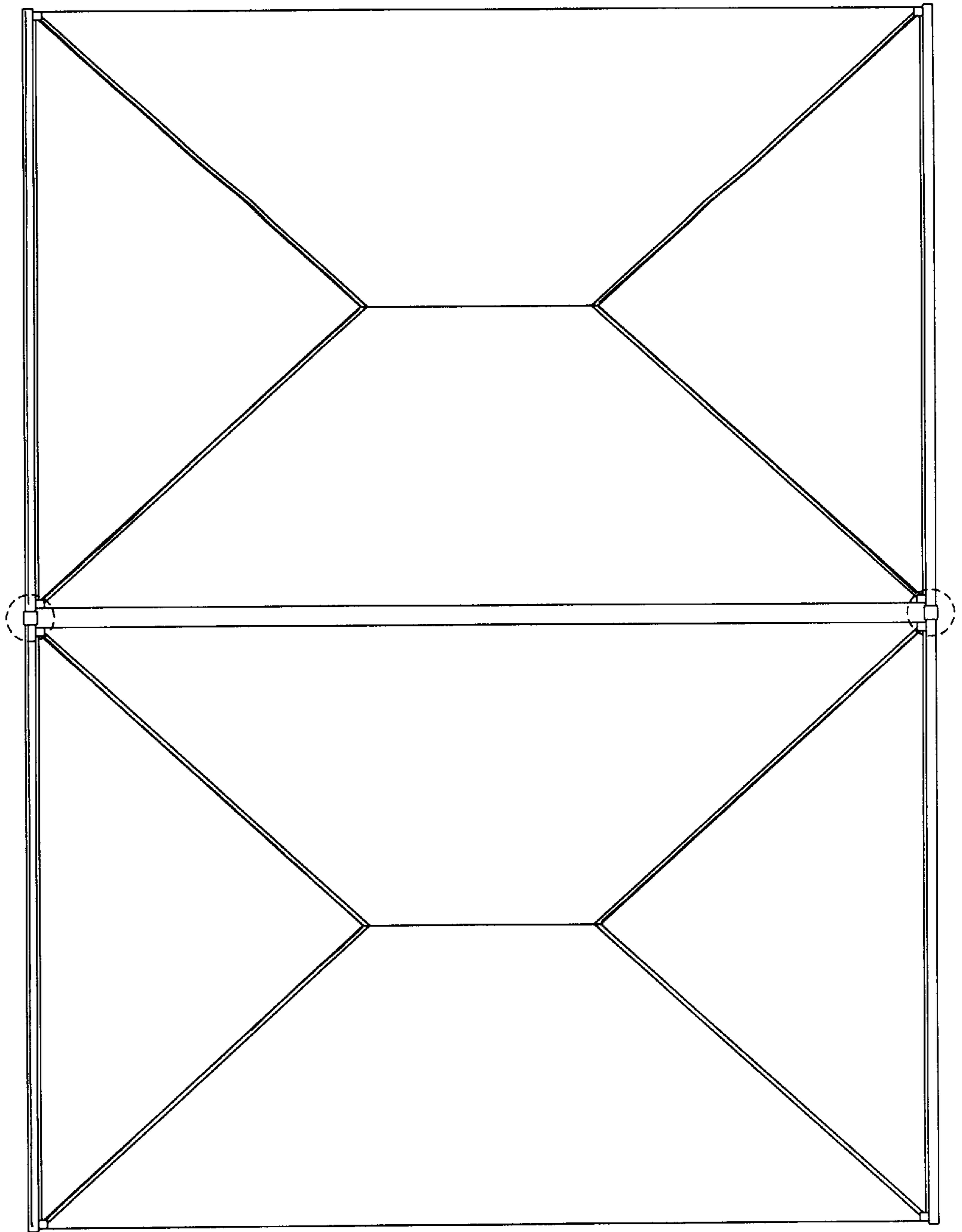


Fig. 21

