



US00D422661S

United States Patent [19]

Edwards et al.

[11] Patent Number: **Des. 422,661**

[45] Date of Patent: **** Apr. 11, 2000**

[54] **SKATEBOARD**

[76] Inventors: **Jon Edwards**, 1237 Hollywood Way, Apt. C, Burbank, Calif. 91505; **Pierrot Guerriero**, 24133 Afamado La., Diamondbar, Calif. 91745; **Stephen McSwain**, 1237 Hollywood Way, Apt. C, Burbank, Calif. 91505

[**] Term: **14 Years**

[21] Appl. No.: **29/103,493**

[22] Filed: **Apr. 15, 1999**

[51] **LOC (6) Cl.** **21-02**

[52] **U.S. Cl.** **D21/765**

[58] **Field of Search** D21/760, 763, D21/765; 280/11.19, 11.2, 11.22, 11.26, 11.27, 87.041, 87.042, 87.043, 843

[56] **References Cited**

U.S. PATENT DOCUMENTS

- D. 200,917 4/1965 Markham D21/765
- D. 250,492 12/1978 Kish .
- D. 326,701 6/1992 DelBosque et al. D21/227

- D. 346,418 4/1994 Fischbach D21/227
- D. 405,141 2/1999 Bonzanign D21/765

OTHER PUBLICATIONS

Sporting Goods Dealer, p. 153. Duraflex Skateboard, center, Aug. 1976.

Primary Examiner—Sandra L. Morris
Attorney, Agent, or Firm—Karl Stauss

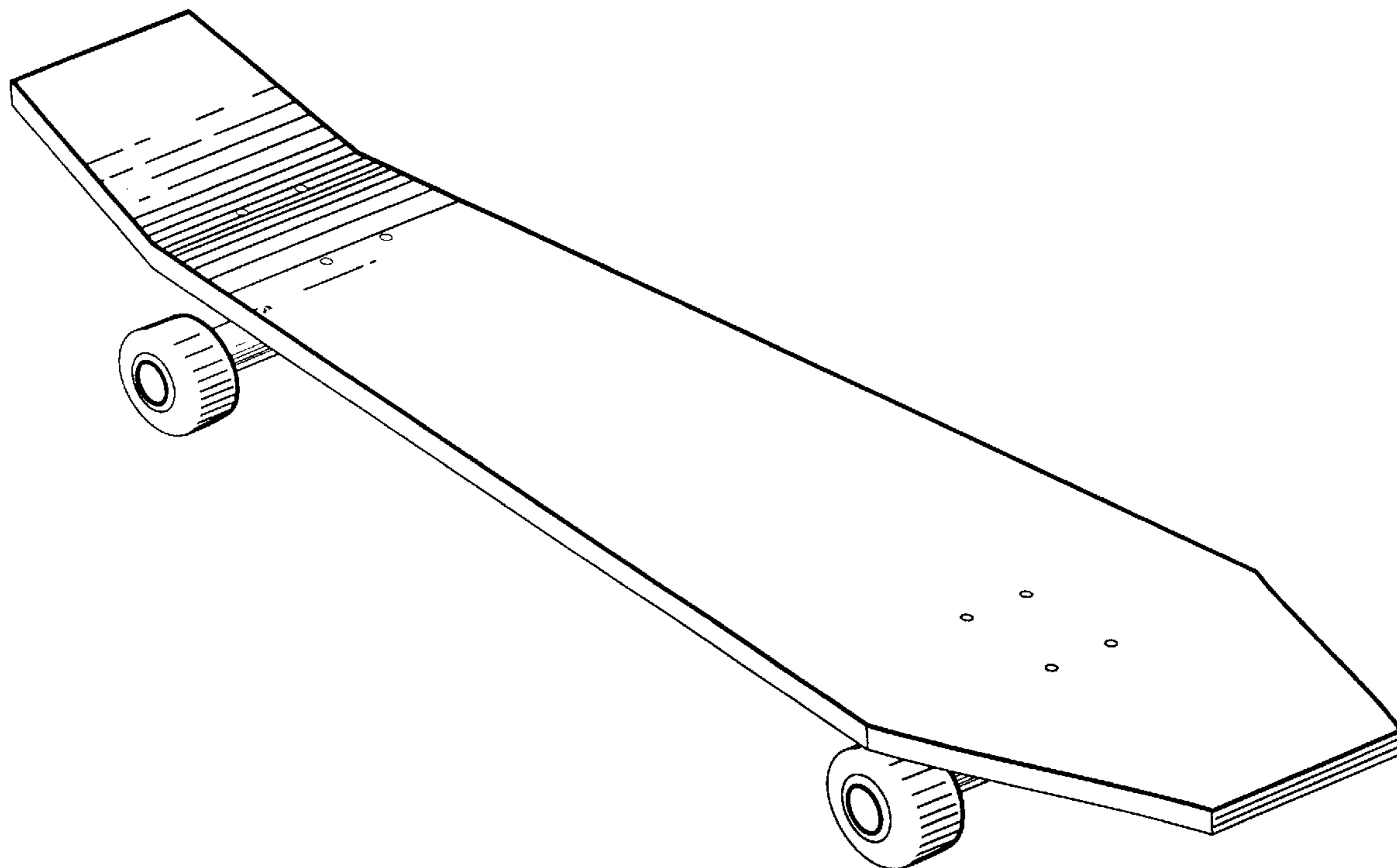
[57] **CLAIM**

The ornamental design for a skateboard, as shown and described.

DESCRIPTION

FIG. 1 is a perspective view of a skateboard showing the new design;
 FIG. 2 is a bottom plan view thereof;
 FIG. 3 is a top plan view thereof;
 FIG. 4 is a right side elevational view thereof, the left side elevational view being a mirror image;
 FIG. 5 is a front elevational view thereof; and,
 FIG. 6 is a rear elevational view thereof.
 FIGS. 5 and 6 are shown on an enlarged scale.

1 Claim, 3 Drawing Sheets



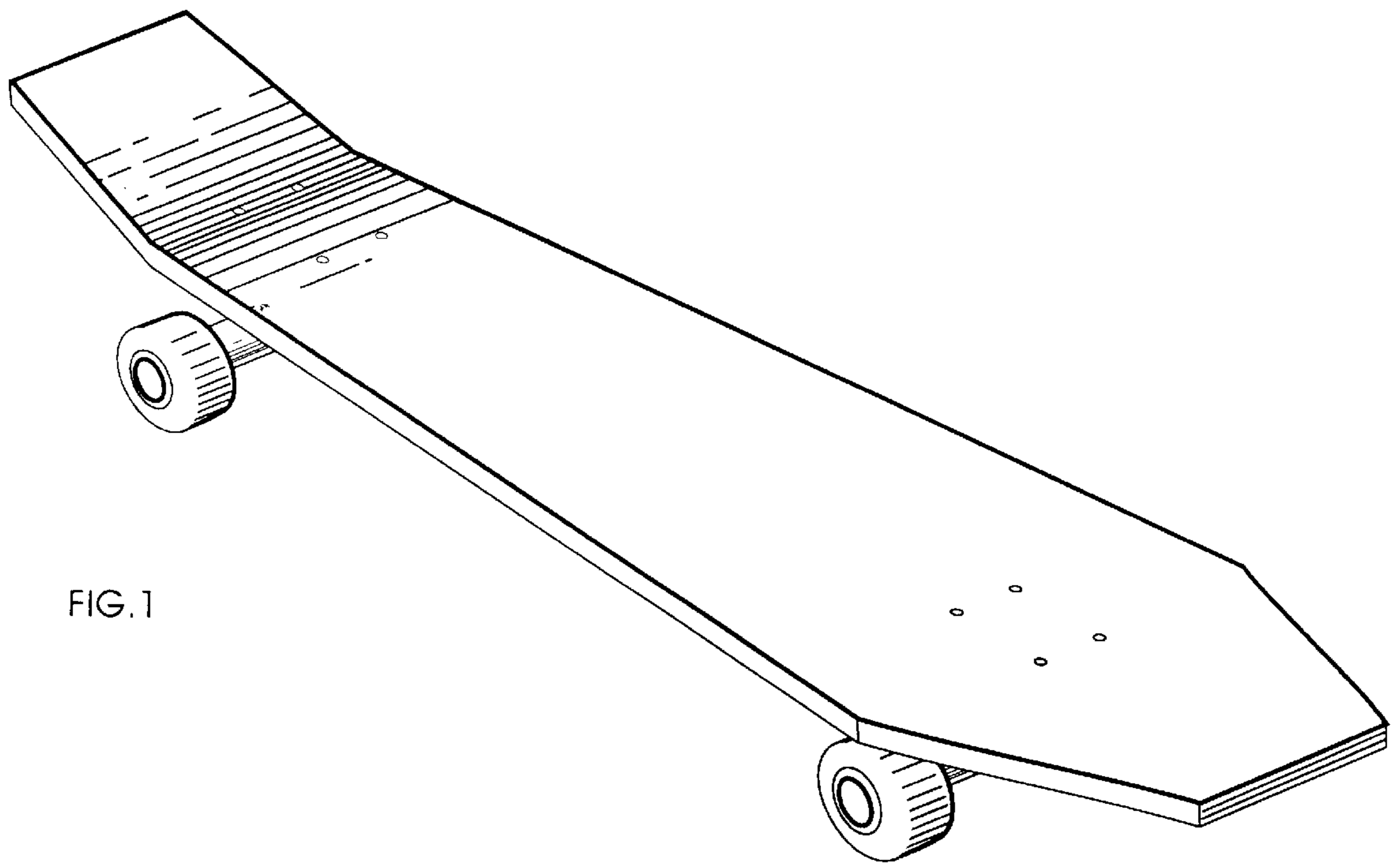


FIG. 1

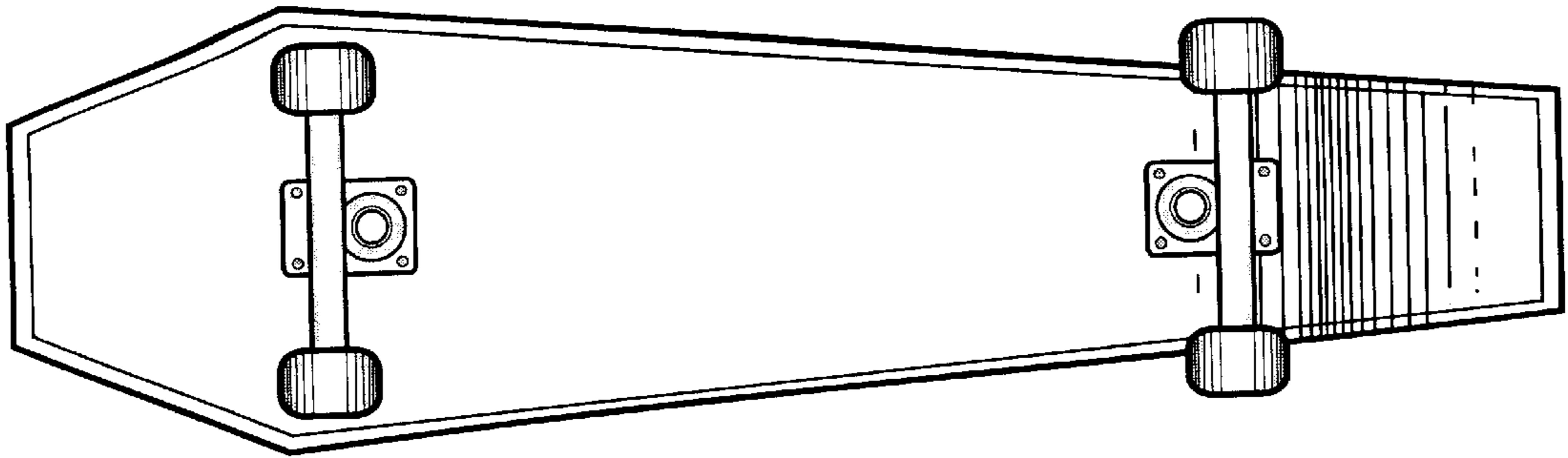


FIG. 2

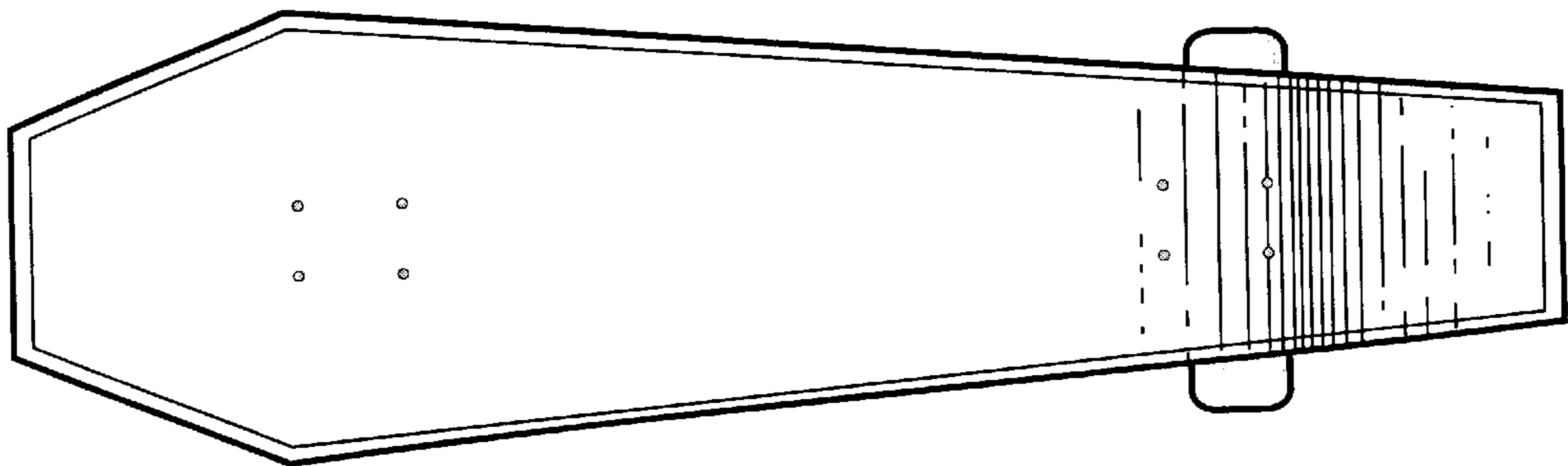


FIG. 3

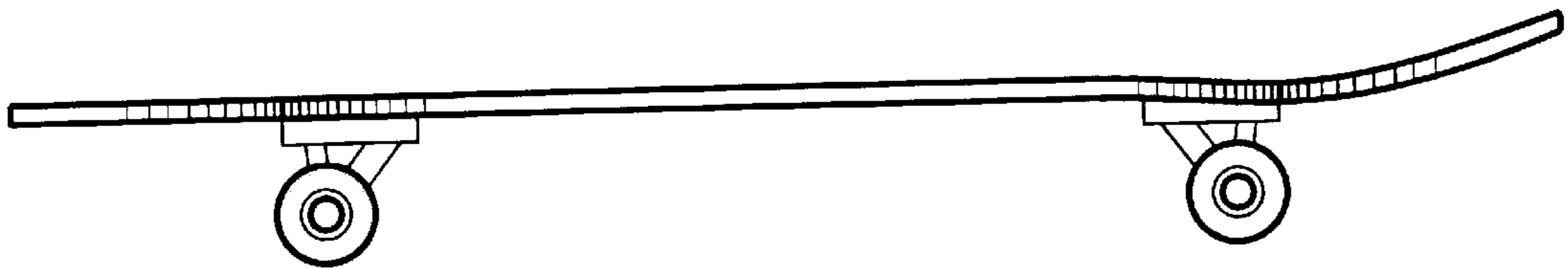


FIG. 4

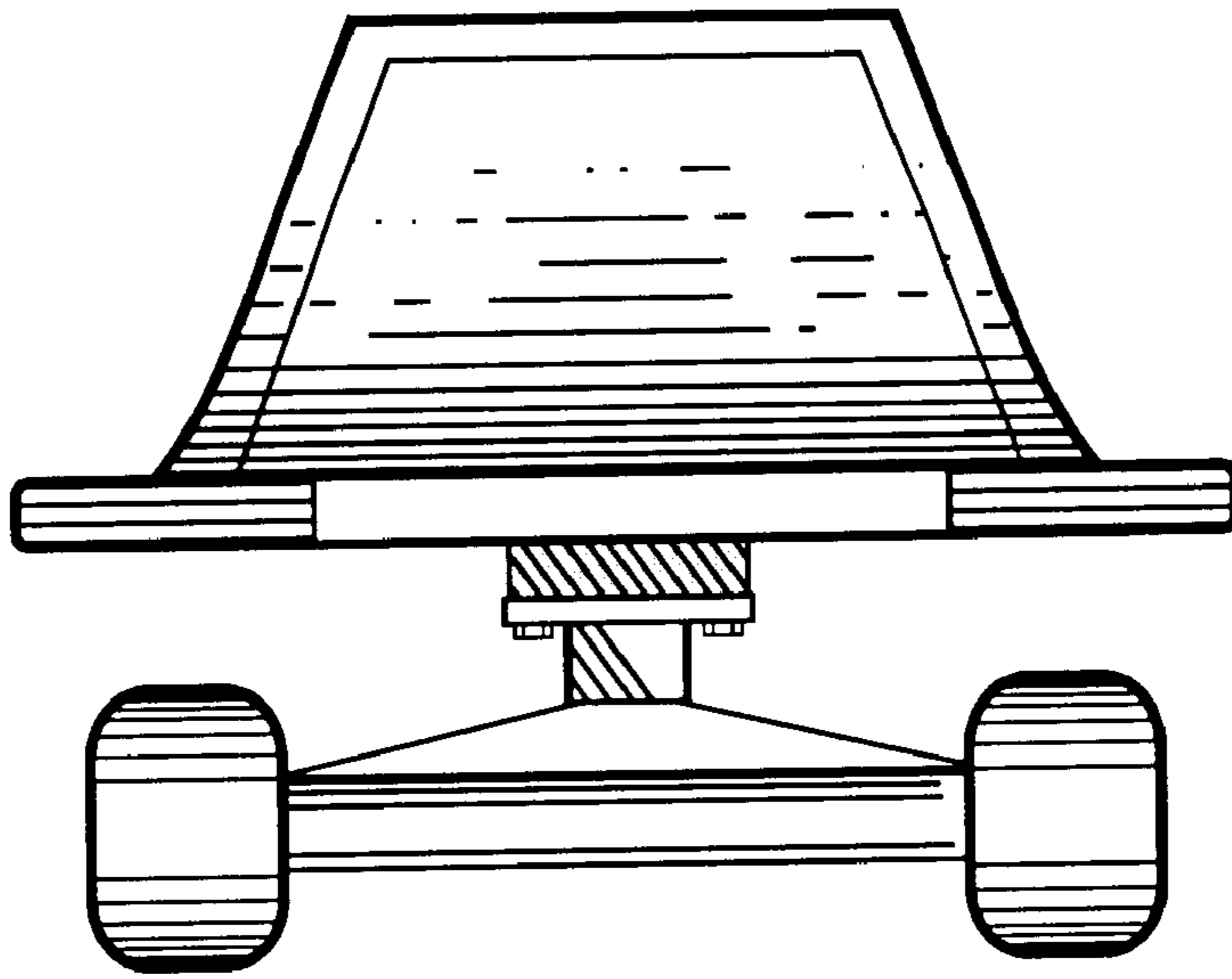


FIG. 5

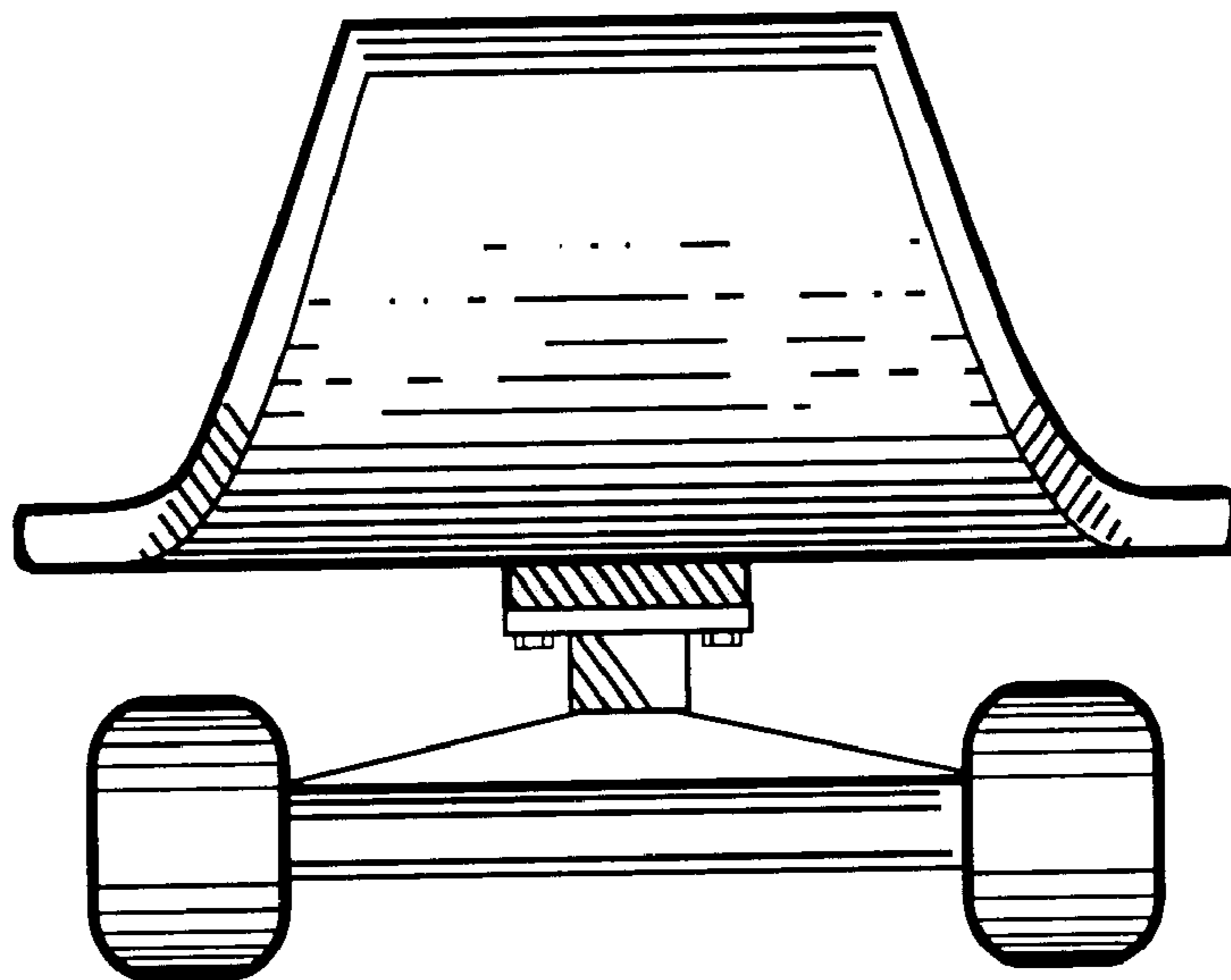


FIG. 6