



US00D422660S

United States Patent [19]
Grace et al.

[11] **Patent Number: Des. 422,660**
[45] **Date of Patent: ** Apr. 11, 2000**

[54] **GOLF CLUB HOSEL**

[75] Inventors: **Robert M. Grace**, Clearwater; **Harold M. Parker, Jr.**, St. Petersburg; **Michael K. Maudlin**, Largo, all of Fla.

[73] Assignee: **Cobra Golf Incorporated**, Carlsbad, Calif.

[**] Term: **14 Years**

[21] Appl. No.: **29/099,267**

[22] Filed: **Jan. 19, 1999**

[51] **LOC (6) Cl.** **21-02**

[52] **U.S. Cl.** **D21/759**

[58] **Field of Search** D21/736-746,
D21/759; 473/251-256, 340, 341, 324

807,224 12/1905 Vaile .
2,820,638 1/1958 Morrison .
3,625,517 12/1971 Durnack .
4,063,733 12/1977 Benedict .
4,199,144 4/1980 Skelly .
4,265,452 5/1981 Vella .

(List continued on next page.)

OTHER PUBLICATIONS

Edwin Watts catalog; p. 41; Odyssey putters, items 660, 990, ladies 990, ladies 660, 668 and 554, Jun. 1998.

Primary Examiner—Mitchell Siegel
Attorney, Agent, or Firm—Pennie & Edmonds LLP

[57] **CLAIM**

The ornamental design for a golf club hosel, as shown and described.

DESCRIPTION

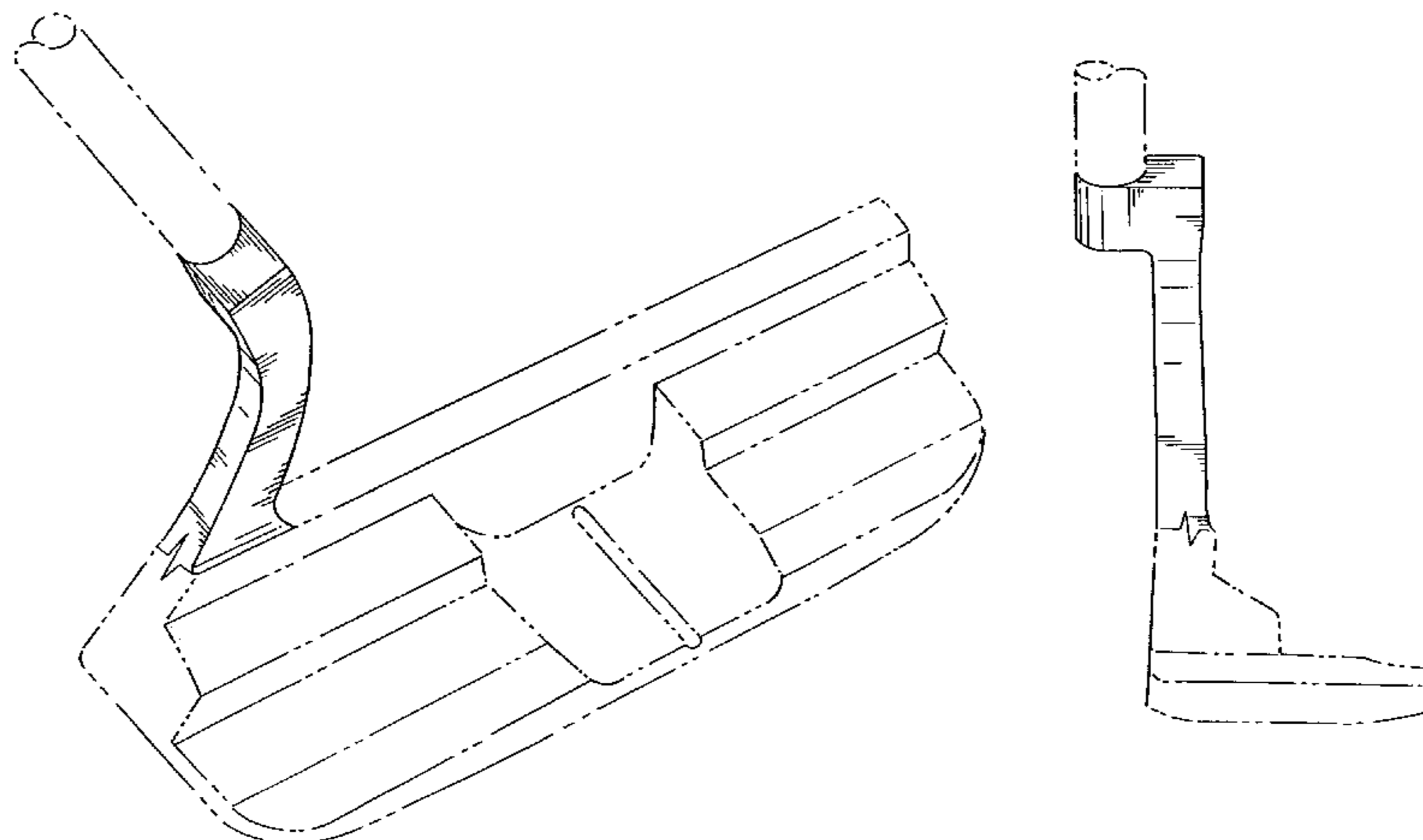
FIG. 1 is a rear perspective view of the golf club hosel of one embodiment of the new design;
FIG. 2 is a rear view thereof;
FIG. 3 is a front view thereof;
FIG. 4 is a top view thereof;
FIG. 5 is a bottom view thereof;
FIG. 6 is an end view thereof from the heel end of the club head;
FIG. 7 is an end view thereof from the toe end of the club head;
FIG. 8 is a rear perspective view of the golf club hosel of a second embodiment of the new design;
FIG. 9 is a rear view thereof;
FIG. 10 is a front view thereof;
FIG. 11 is a top view thereof;
FIG. 12 is a bottom view thereof;
FIG. 13 is an end view thereof from the heel end of the club head; and,
FIG. 14 is an end view thereof from the toe end of the club head.
The broken line showing of the club head and fragmented shaft of is for illustrative purposes only and forms no part of the claimed design.

[56] **References Cited**

U.S. PATENT DOCUMENTS

- D. 207,227 3/1967 Solheim .
- D. 222,719 12/1971 Cook .
- D. 235,568 6/1975 Cook .
- D. 236,517 8/1975 Cook .
- D. 239,951 5/1976 Carrier .
- D. 257,784 1/1981 Forys et al. .
- D. 283,039 3/1986 Solheim .
- D. 297,445 8/1988 Shearer .
- D. 297,447 8/1988 Shearer .
- D. 313,451 1/1991 Shearer .
- D. 322,650 12/1991 Shearer .
- D. 329,906 9/1992 Reed et al. .
- D. 335,317 5/1993 Shearer .
- D. 335,318 5/1993 Shearer .
- D. 355,687 2/1995 Morrow .
- D. 360,669 7/1995 Buscemi et al. .
- D. 365,864 1/1996 Sturm .
- D. 368,944 4/1996 Stites .
- D. 380,245 6/1997 Meyer .
- D. 381,725 7/1997 Sugo .
- D. 394,689 5/1998 Sheets .
- D. 396,080 7/1998 Bottema .
- D. 396,081 7/1998 Sheets .
- D. 396,082 7/1998 Sheets .
- D. 396,083 7/1998 Sheets .
- D. 396,258 7/1998 Sheets .

1 Claim, 6 Drawing Sheets



Des. 422,660

Page 2

U.S. PATENT DOCUMENTS

			5,078,398	1/1992	Reed et al. .
			5,116,054	5/1992	Johnson .
4,325,550	4/1982	Thompson et al. .	5,226,654	7/1993	Solheim .
4,527,799	7/1985	Solheim .	5,255,919	10/1993	Johnson .
4,693,478	9/1987	Long .	5,292,128	3/1994	Solheim .
4,912,830	4/1990	Vesligaj .	5,544,883	8/1996	Meyer .
4,913,438	4/1990	Anderson .	5,575,472	11/1996	Magerman et al. .

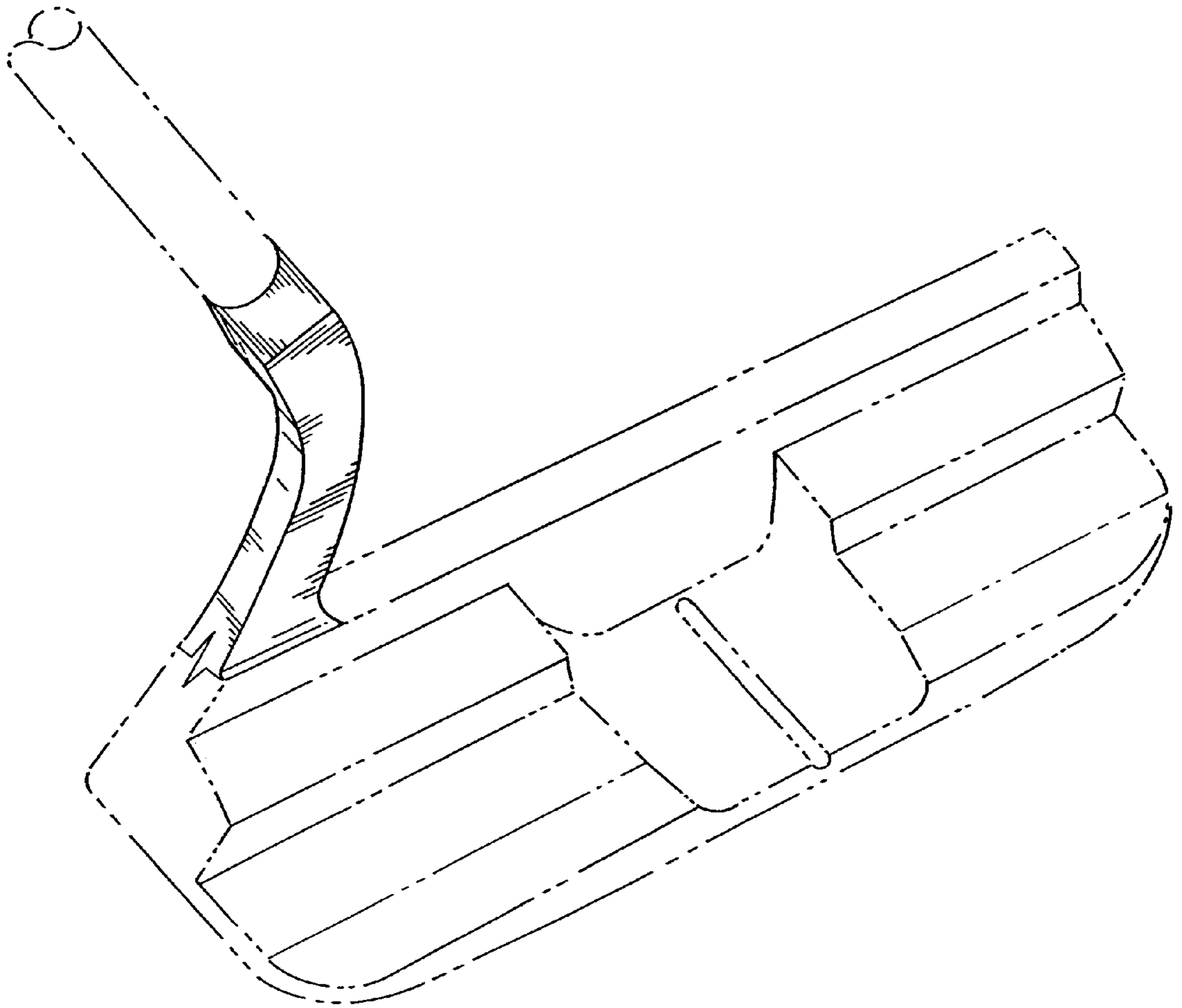


FIG. 1

FIG. 2

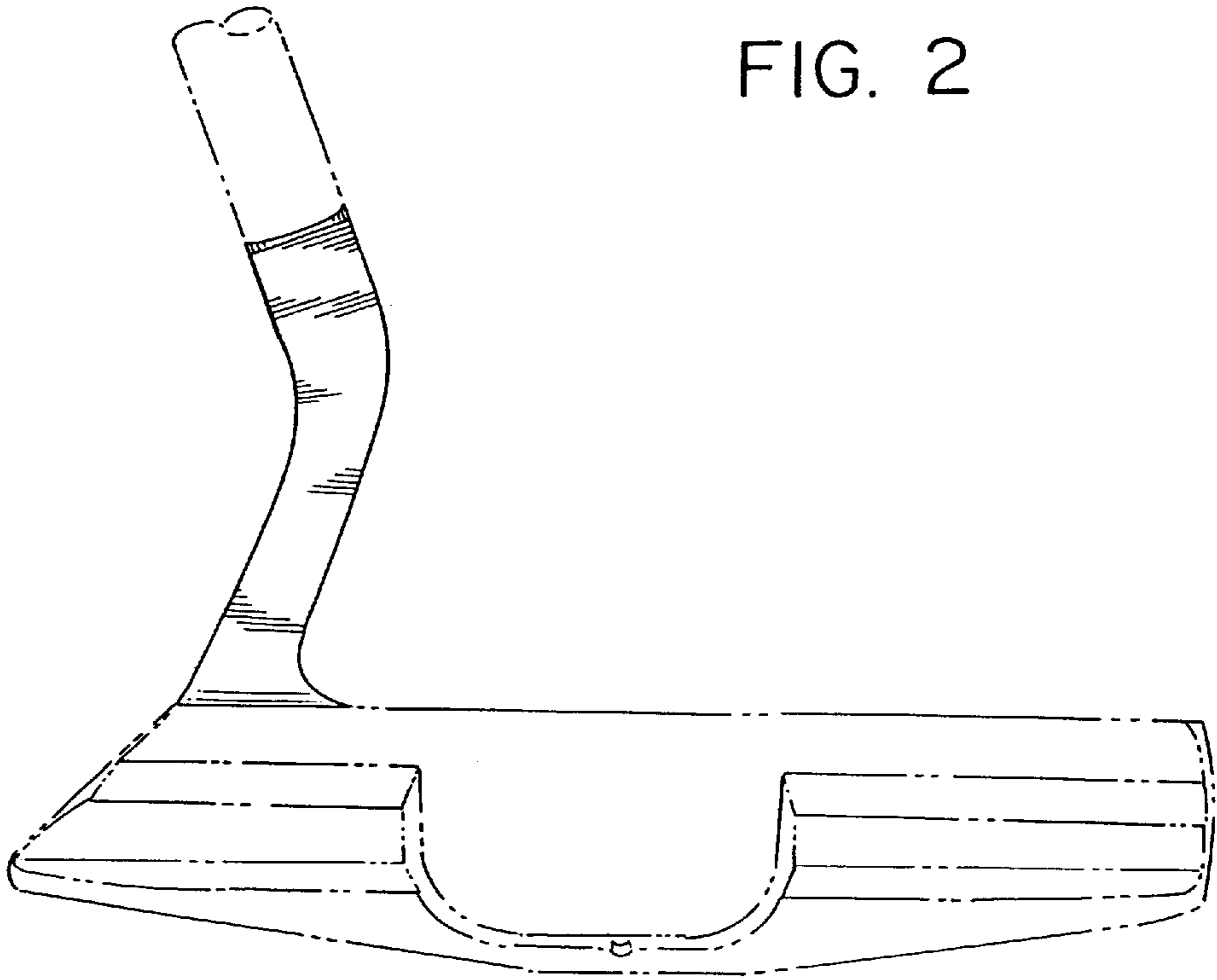


FIG. 3

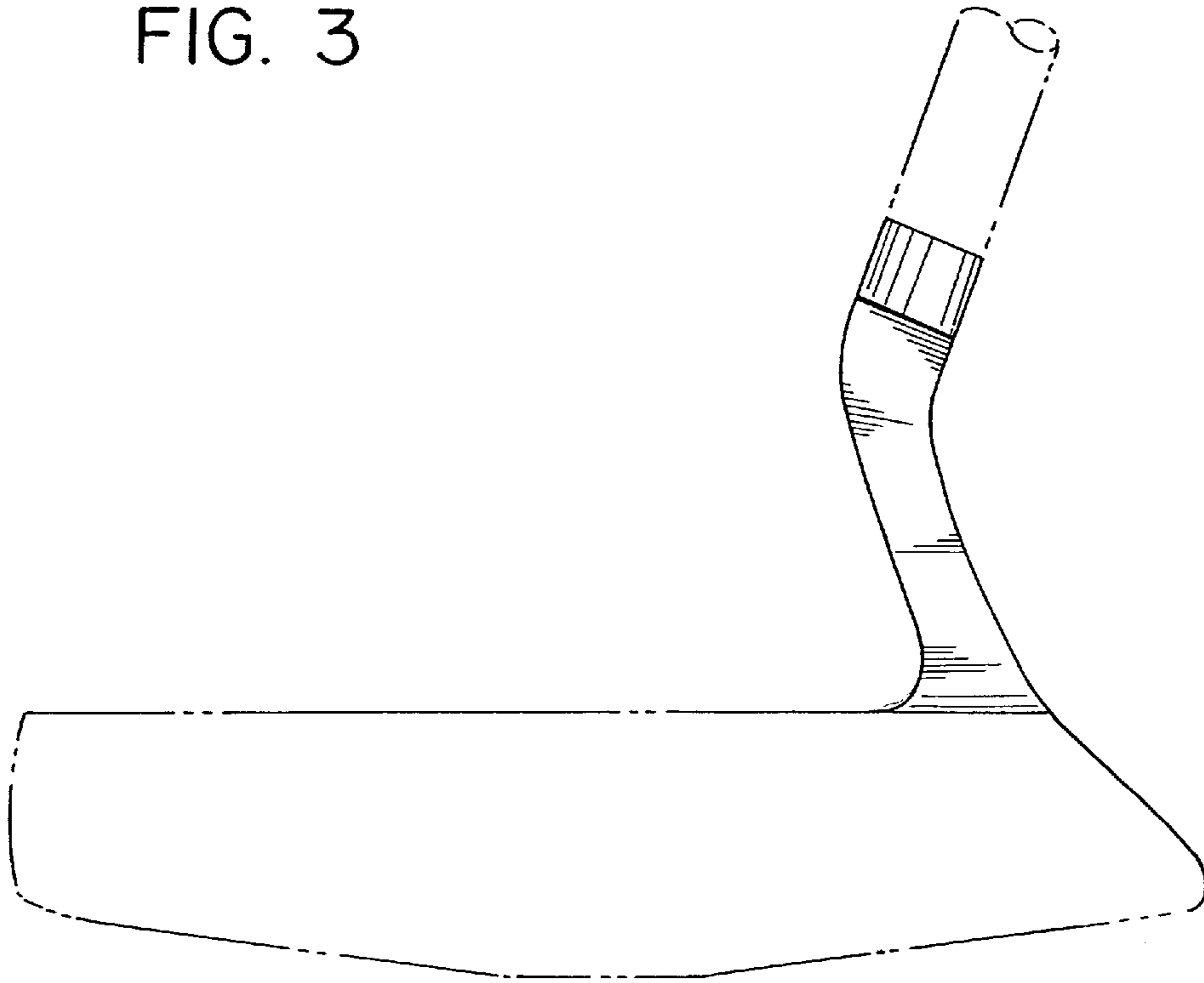


FIG. 4

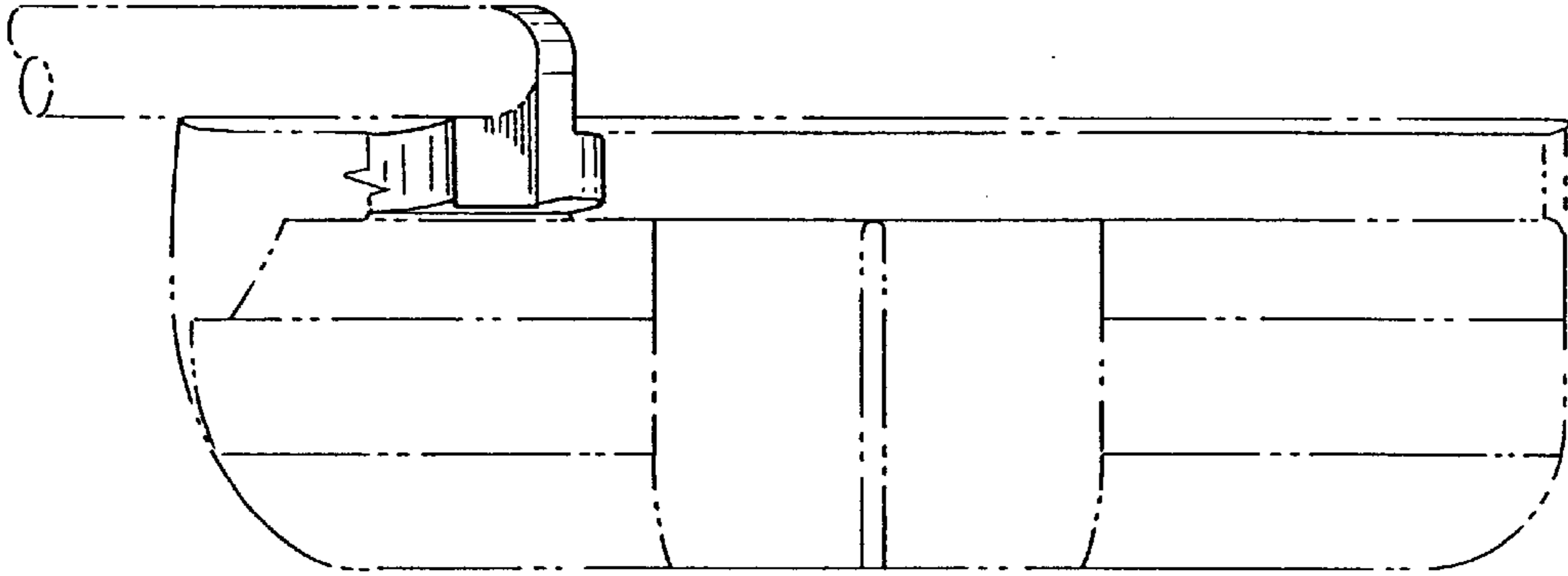


FIG. 5

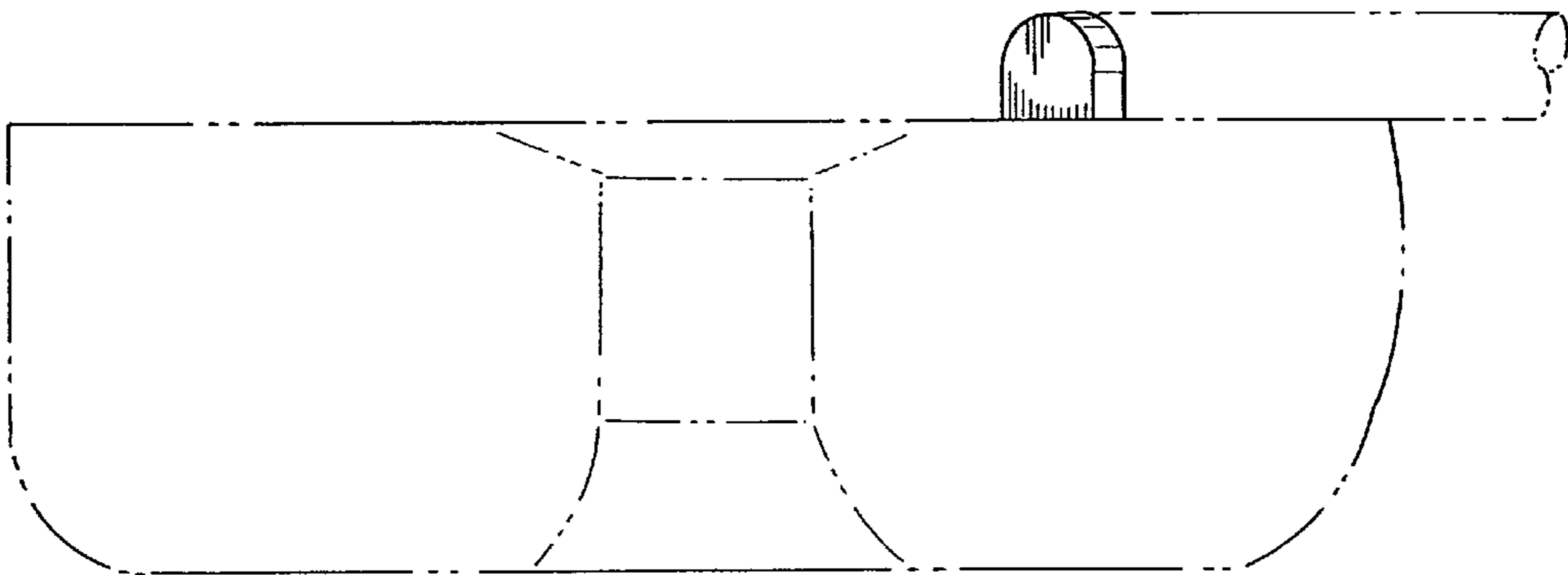


FIG. 6

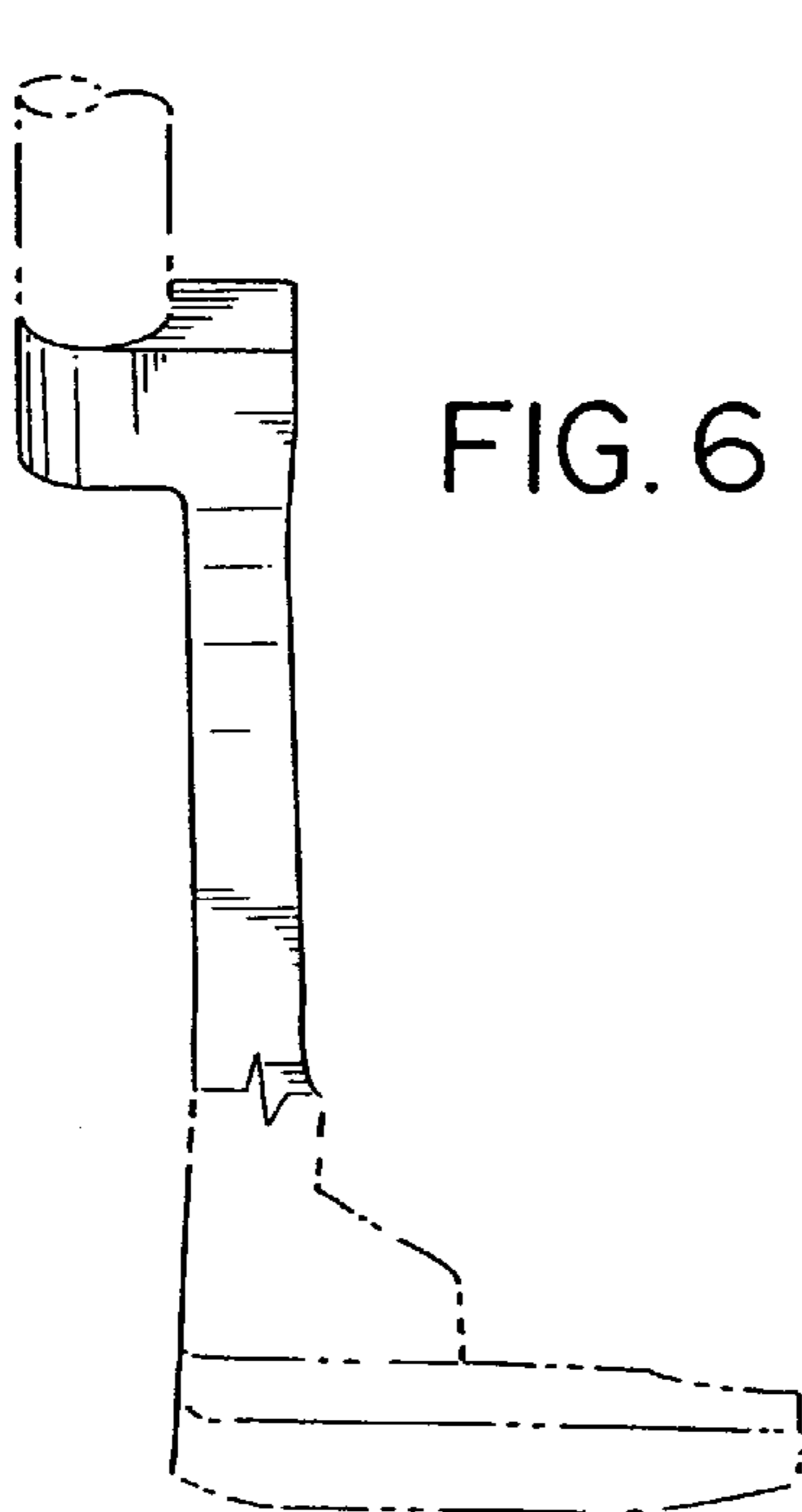
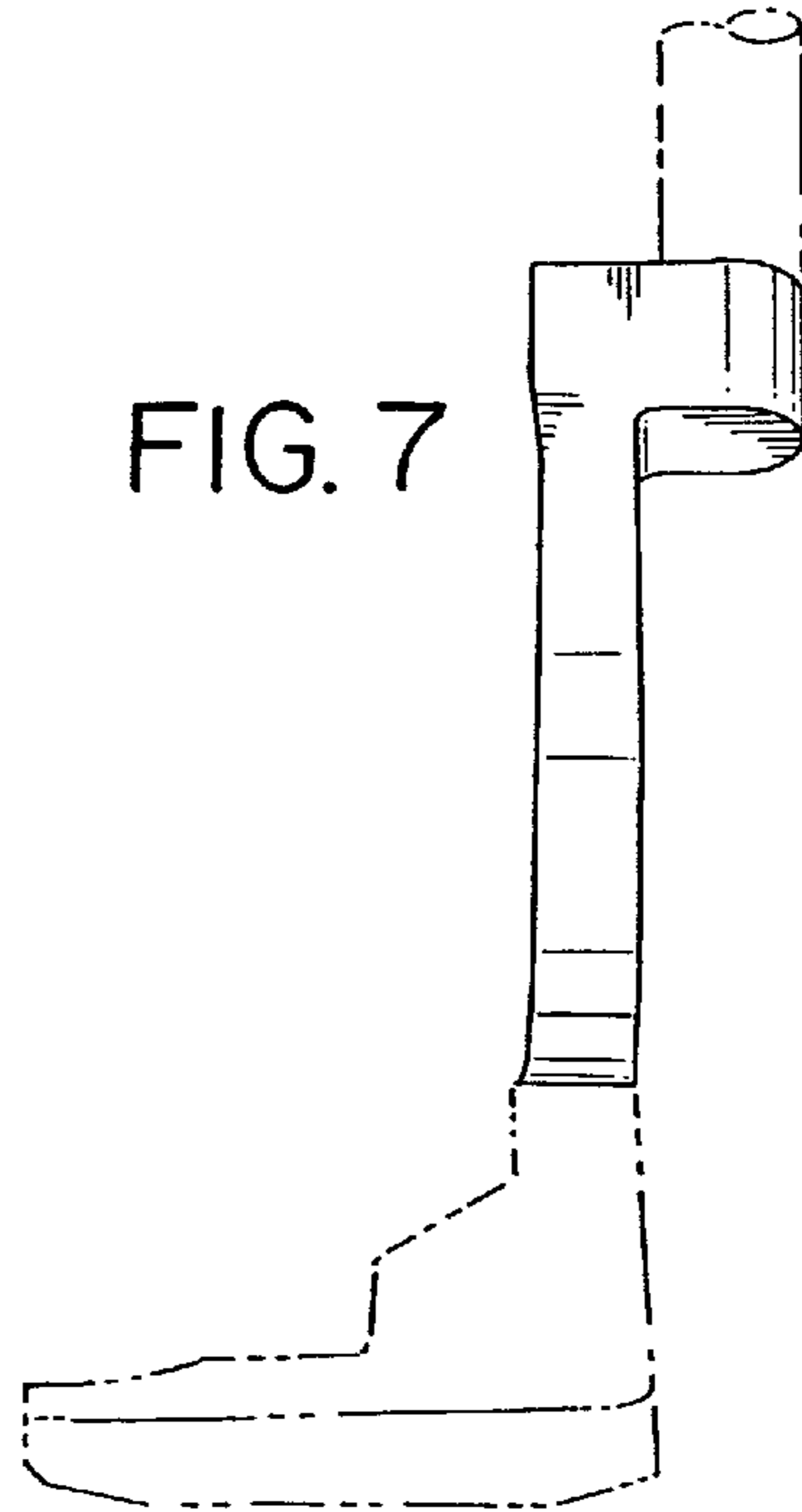


FIG. 7



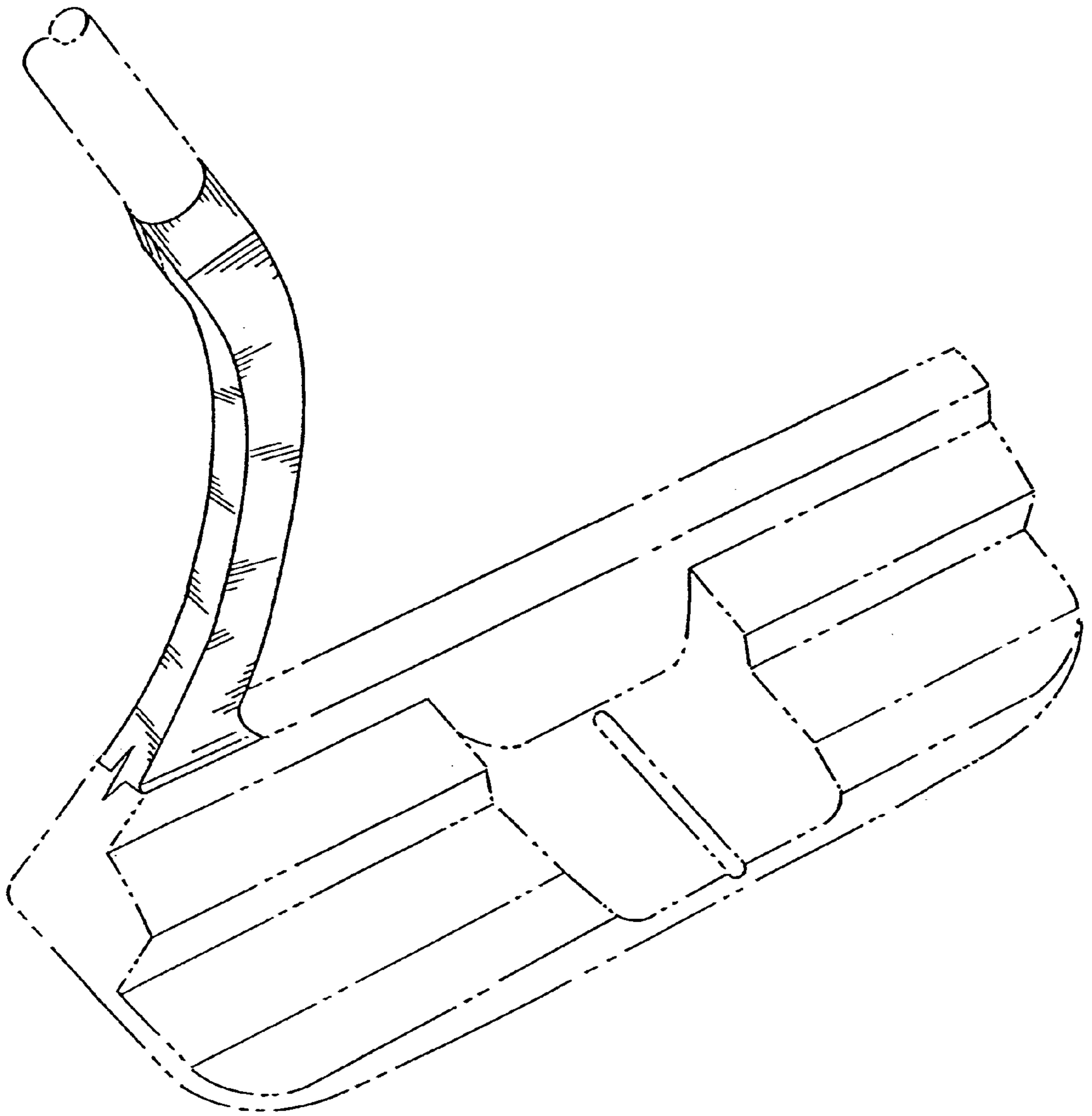


FIG. 8

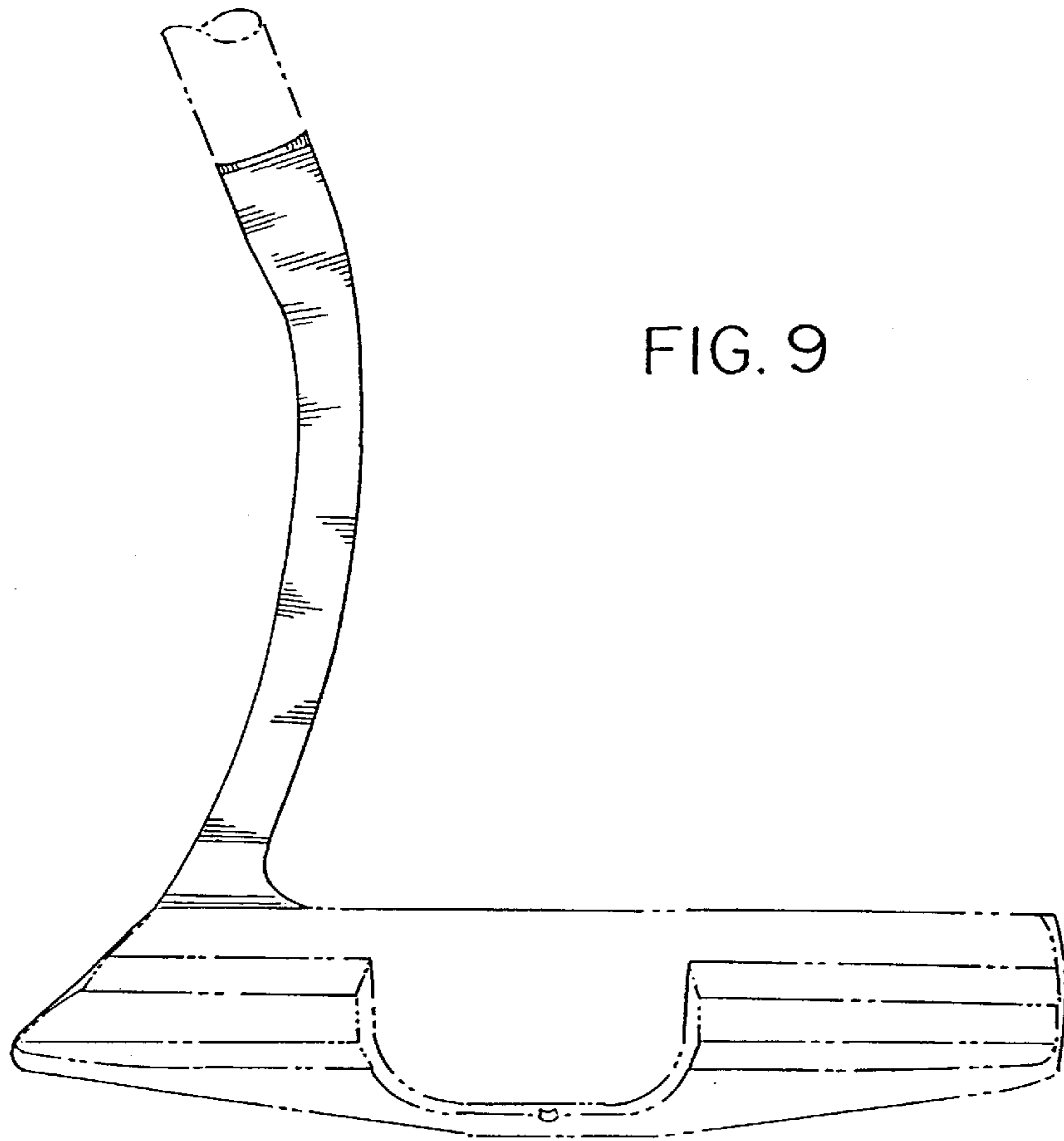


FIG. 9

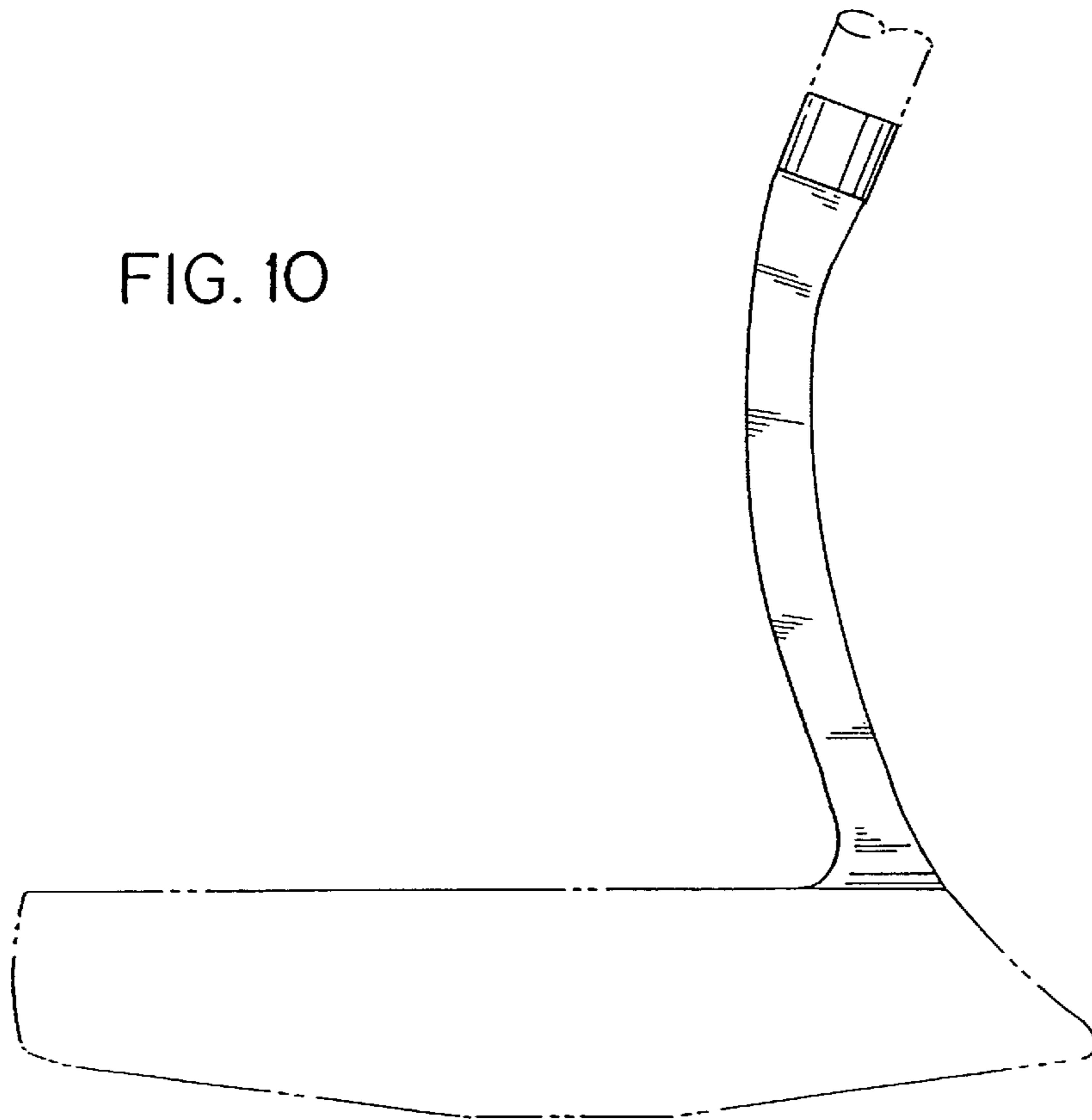


FIG. 10

FIG. 11

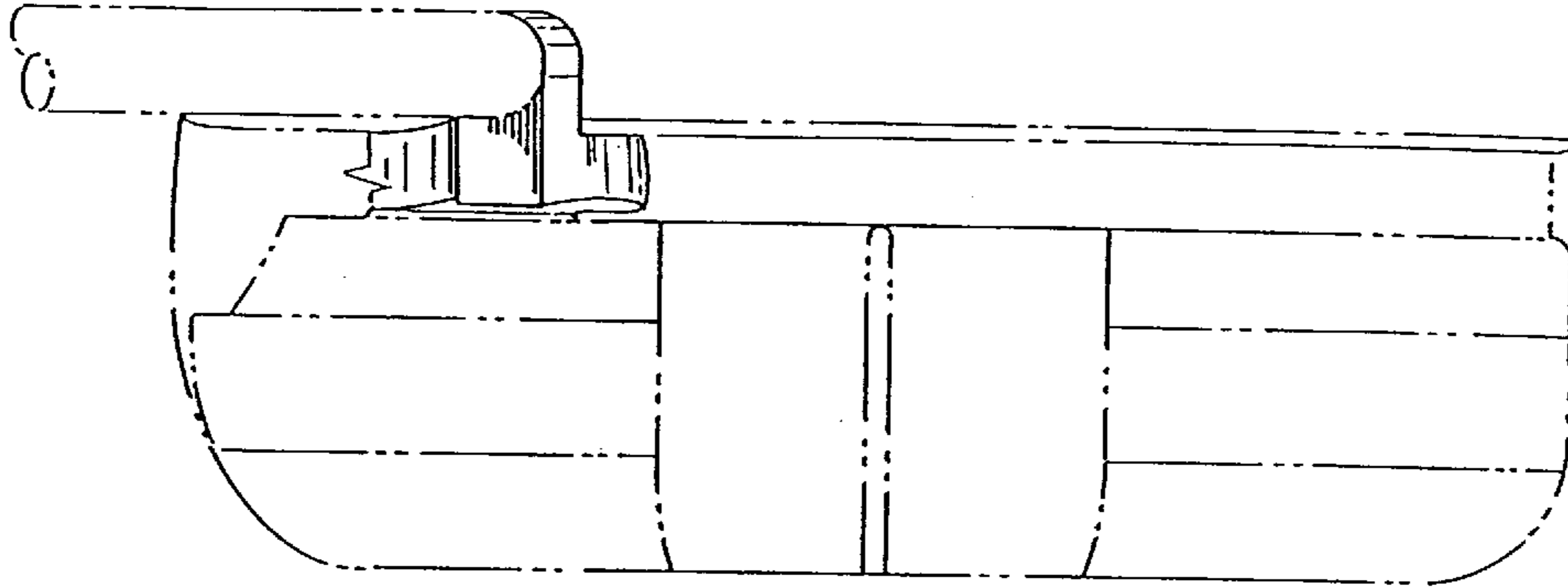


FIG. 12

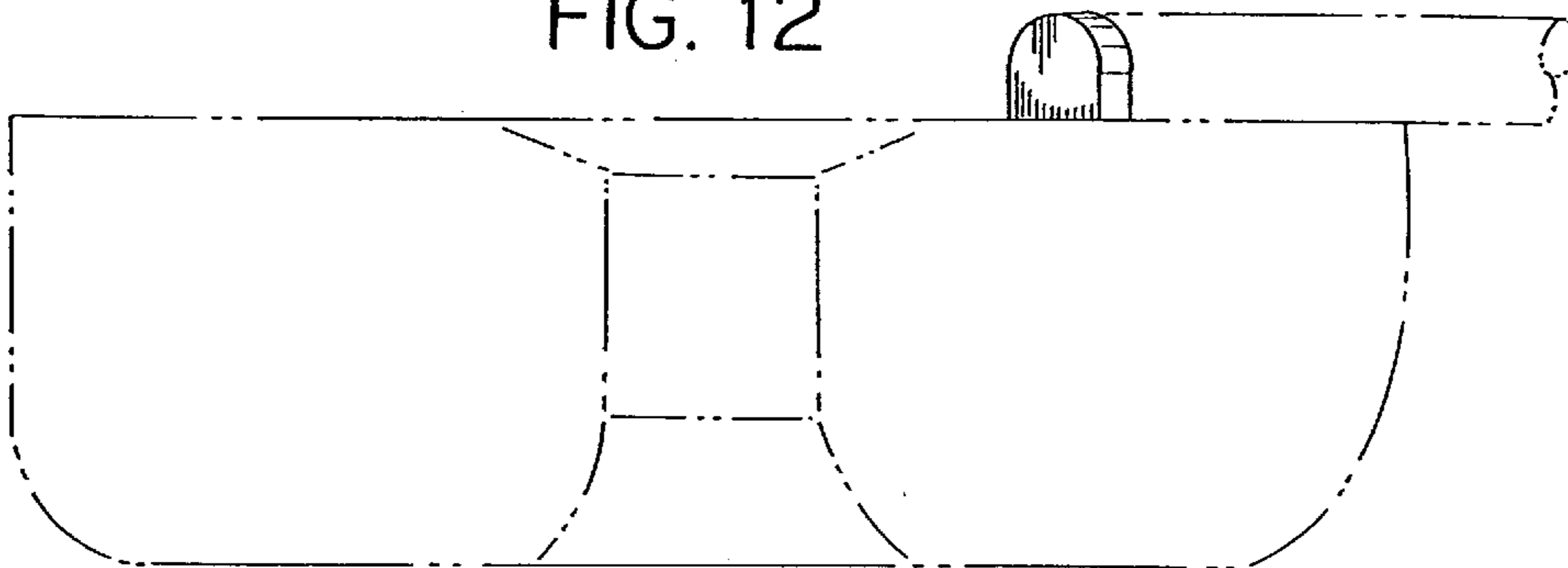


FIG. 13

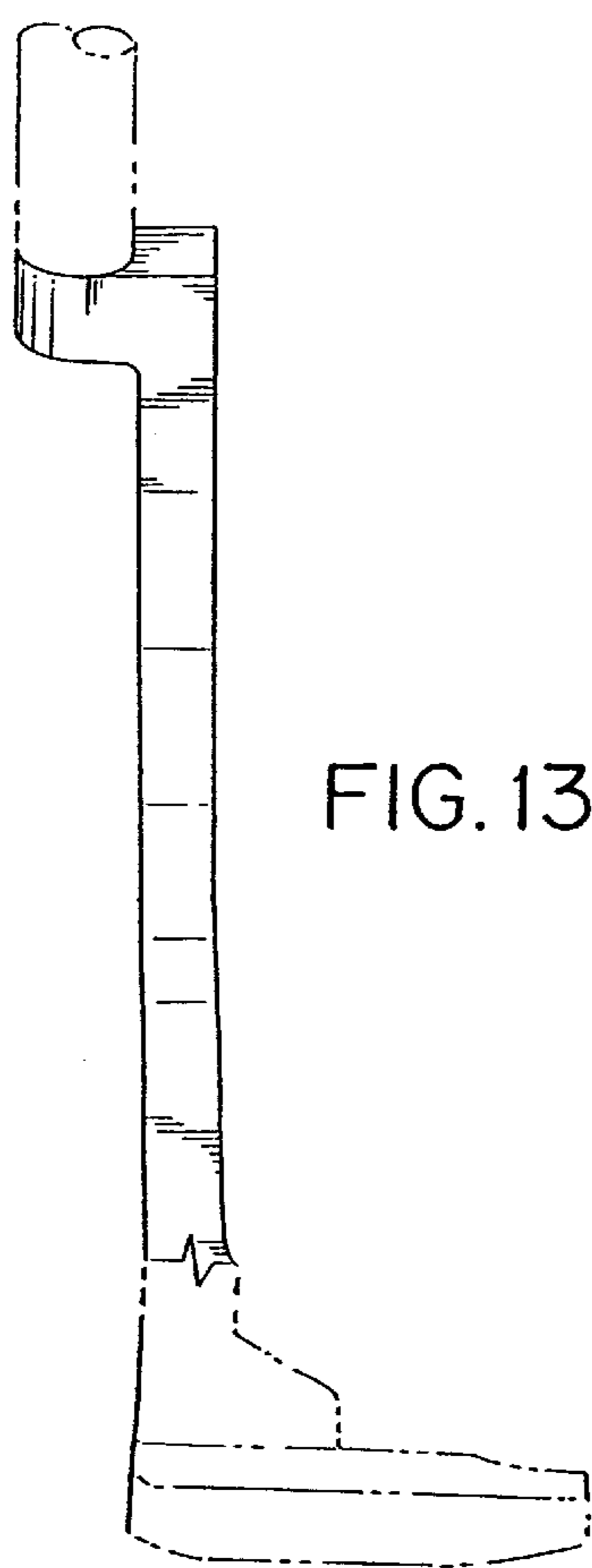


FIG. 14

