



US00D422659S

United States Patent [19]
Mertens

[11] **Patent Number: Des. 422,659**

[45] **Date of Patent: ** Apr. 11, 2000**

[54] **GOLF CLUB HEAD**

[75] Inventor: **Peter Mertens**, Naperville, Ill.

[73] Assignee: **Purespin Golf Company**, Oswego, Ill.

[**] Term: **14 Years**

[21] Appl. No.: **29/101,678**

[22] Filed: **Mar. 9, 1999**

[51] **LOC (6) Cl.** **21-02**

[52] **U.S. Cl.** **D21/752**

[58] **Field of Search** D21/733, 752;
473/324, 327, 328, 329, 330, 331, 345,
346

[56] **References Cited**

U.S. PATENT DOCUMENTS

D. 307,783	5/1990	Inuma	D21/752
D. 310,254	8/1990	Take et al.	D21/752
D. 345,403	3/1994	Sanchez	D21/752
D. 410,057	5/1999	Ortiz	D21/752
5,547,188	8/1996	Dumontier et al.	.	
5,573,469	11/1996	Dekura	.	

Primary Examiner—Mitchell Siegel
Attorney, Agent, or Firm—Cantor Colburn LLP

[57] **CLAIM**

The ornamental design for golf club head, as shown and described.

DESCRIPTION

FIG. 1 is a bottom perspective view of golf club head showing a first embodiment of my new design; FIG. 2 is a right side elevational view thereof; FIG. 3 is a front elevational view thereof; FIG. 4 is a bottom plan view thereof; FIG. 5 is a top plan view thereof; FIG. 6 is a left side elevational view thereof; FIG. 7 is a rear elevational view thereof; FIG. 8 is a bottom perspective view of golf club head showing a second embodiment of my new design; FIG. 9 is a right side elevational view thereof; FIG. 10 is a front elevational view thereof; FIG. 11 is a bottom plan view thereof; FIG. 12 is a top plan view thereof; FIG. 13 is a left side elevational view thereof; and, FIG. 14 is a rear elevational view thereof. The broken line showing of a fragmented shaft on FIGS. 1 and 8 is for illustrative purposes only and forms no part of the claimed design.

1 Claim, 6 Drawing Sheets

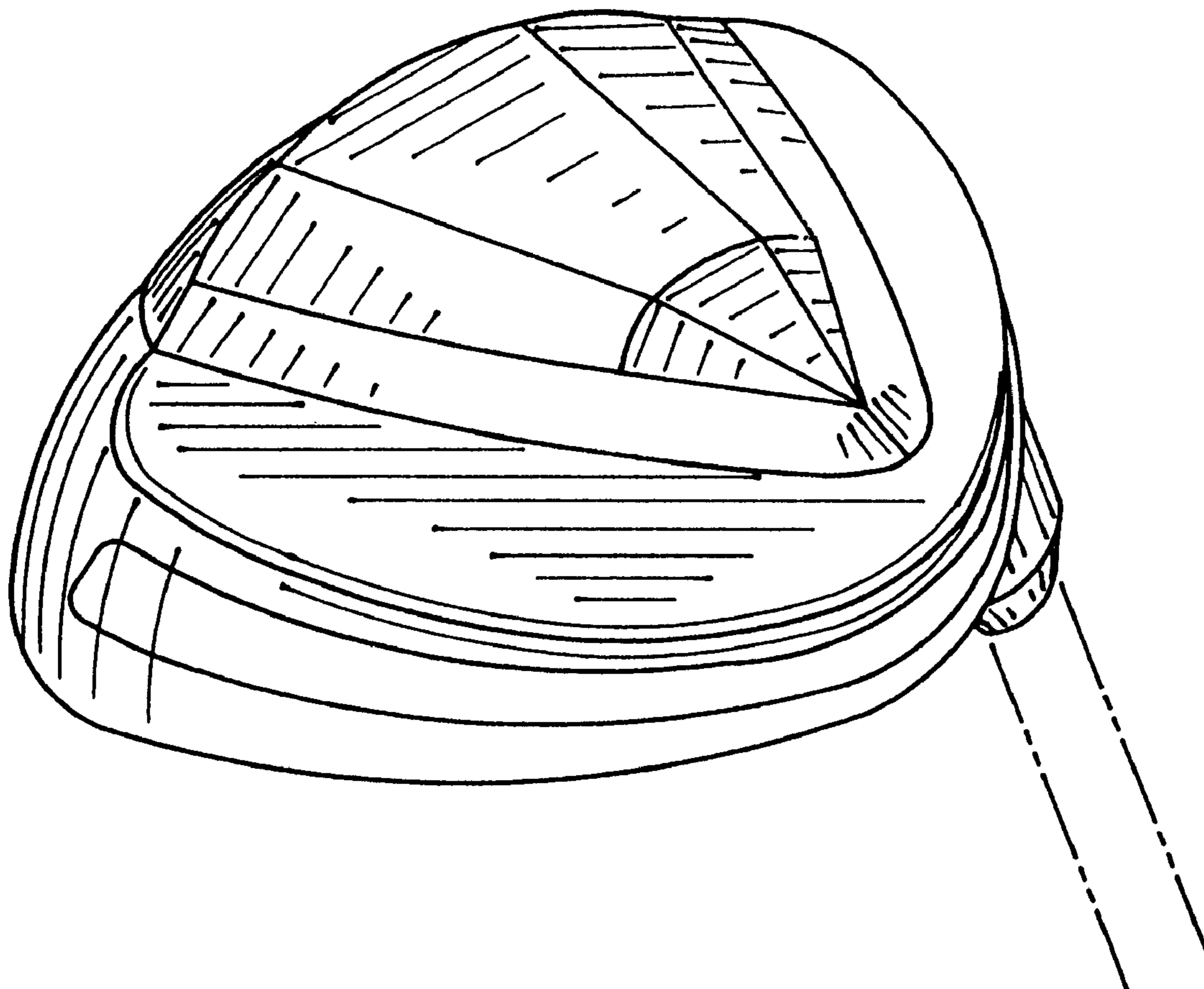


FIG. 1

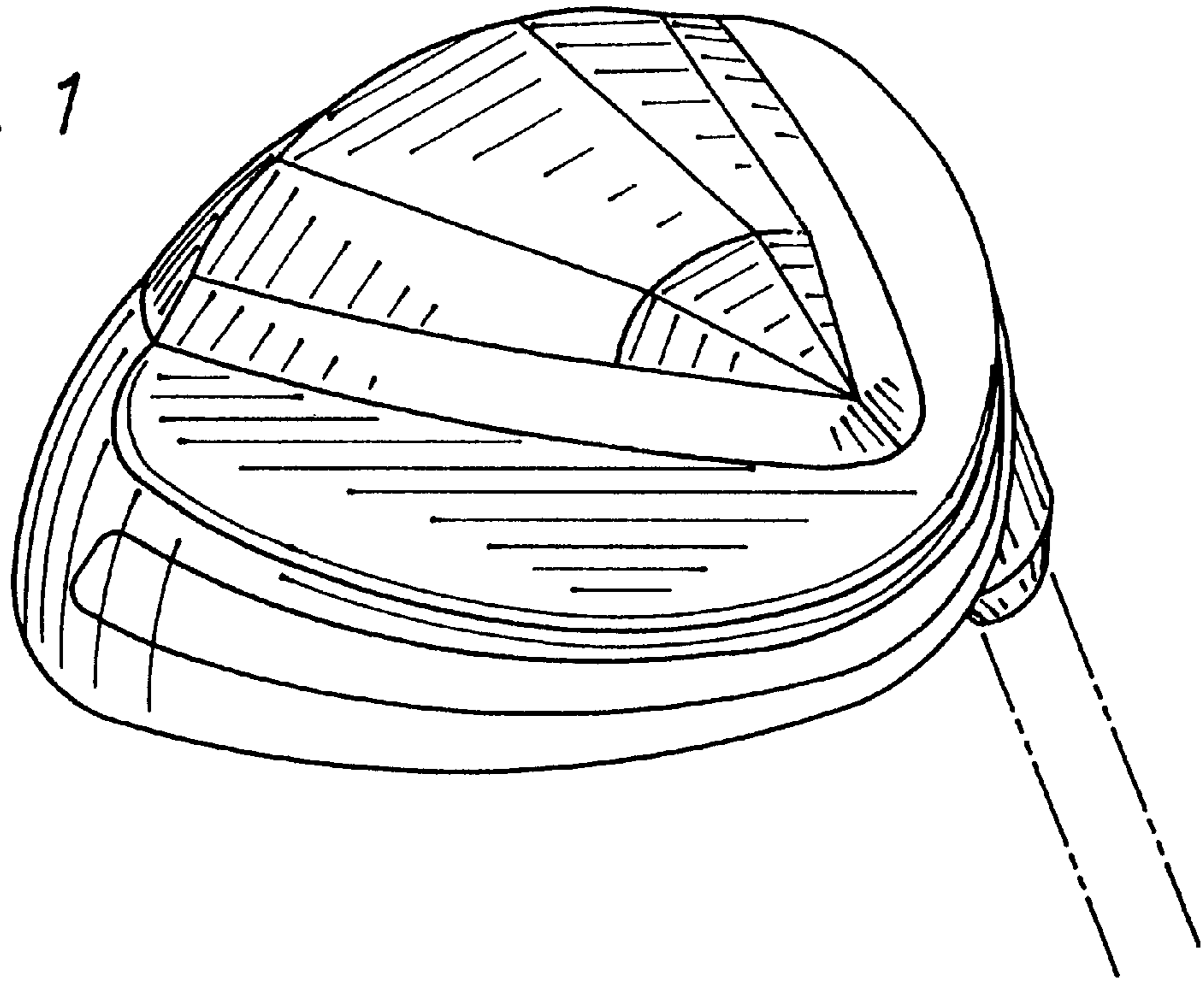


FIG. 2

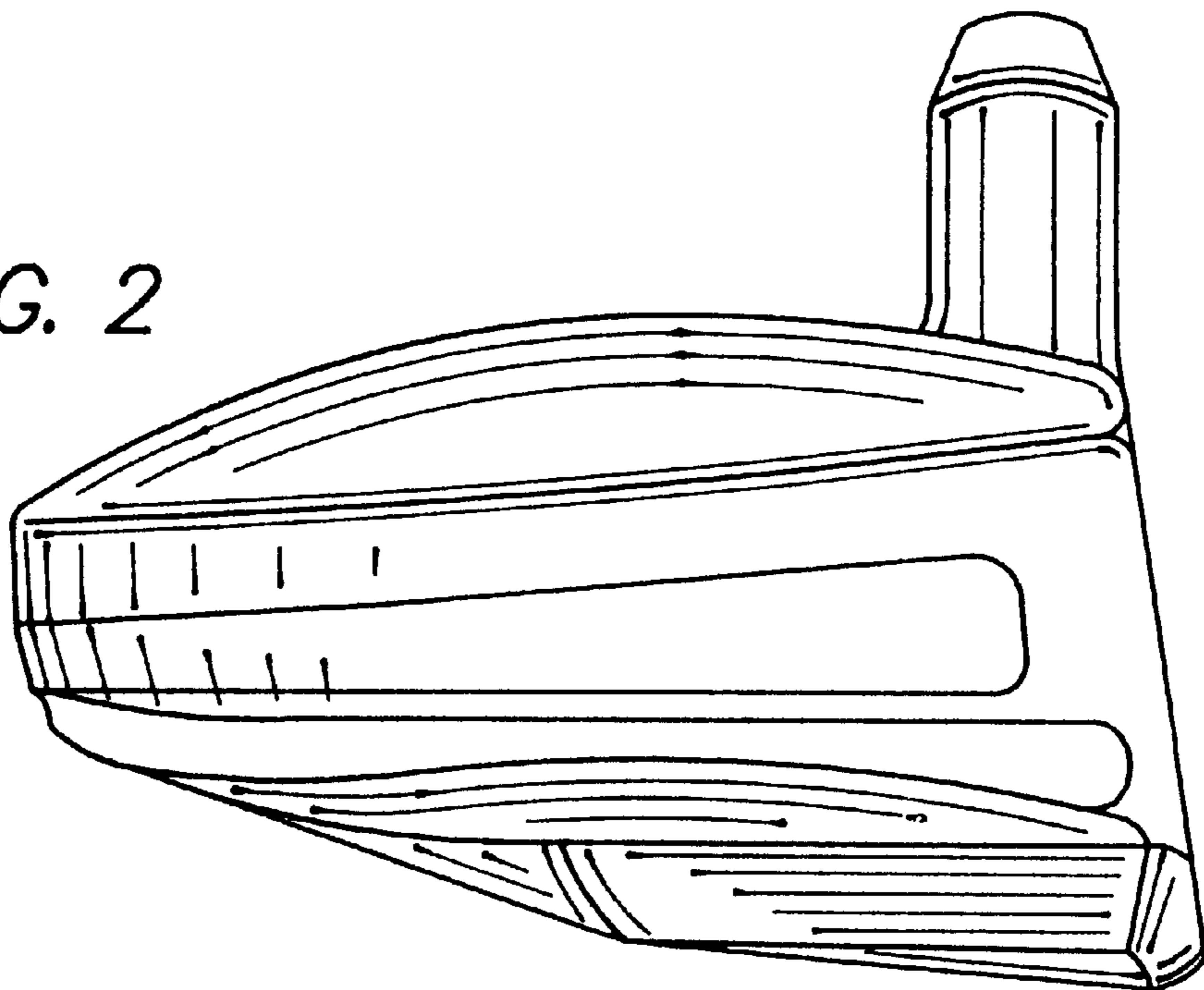


FIG. 3

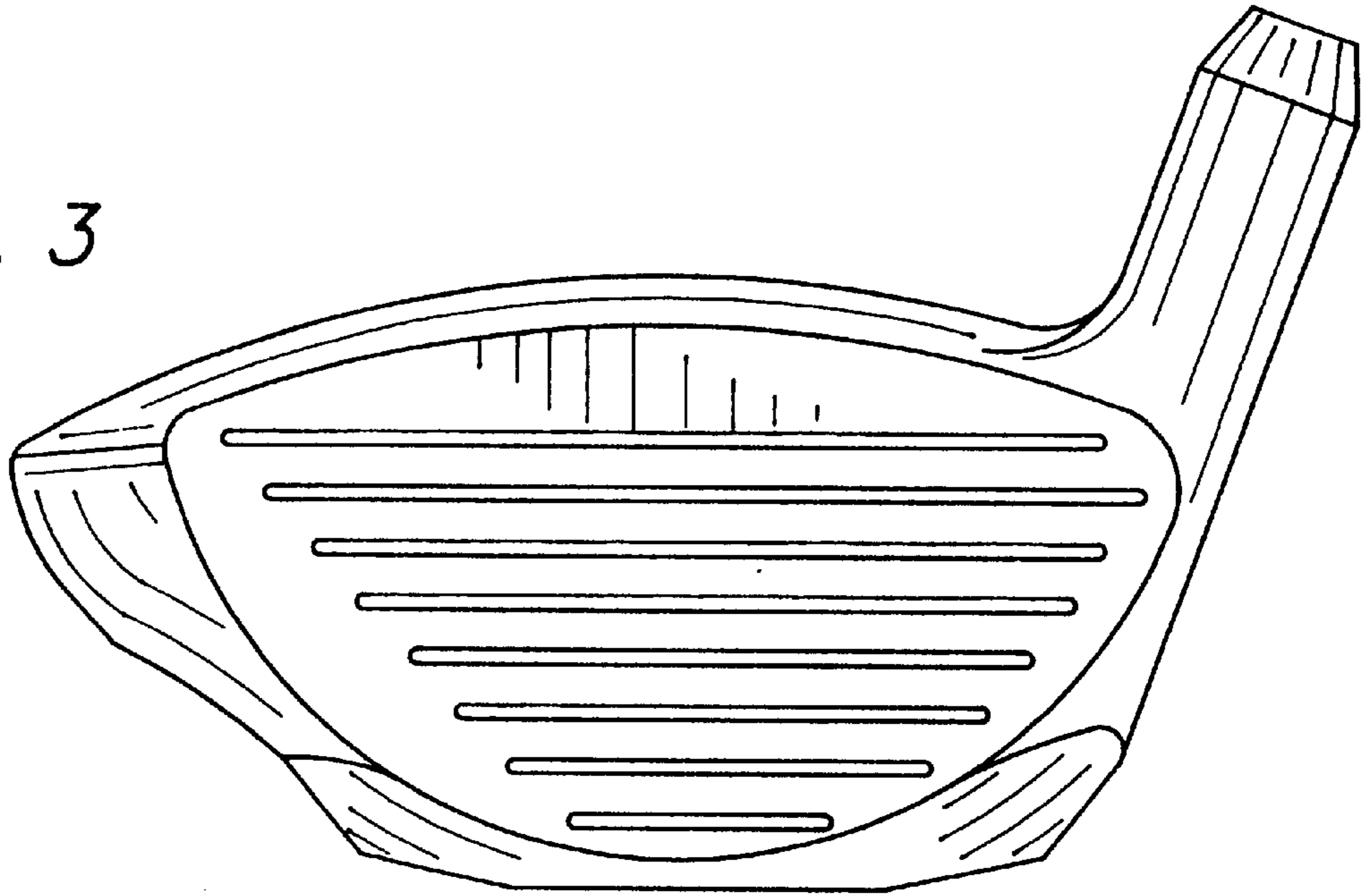


FIG. 4

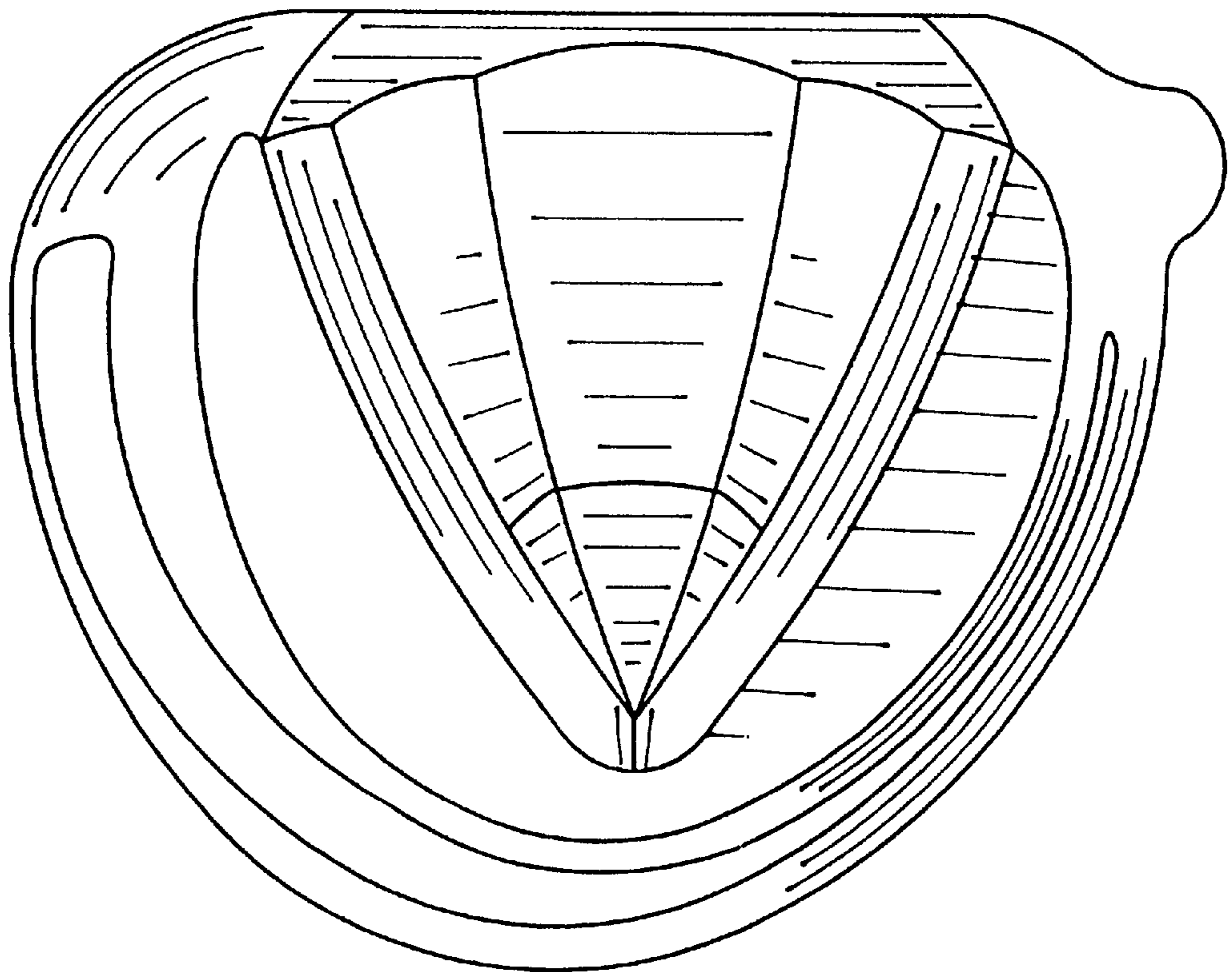


FIG. 5

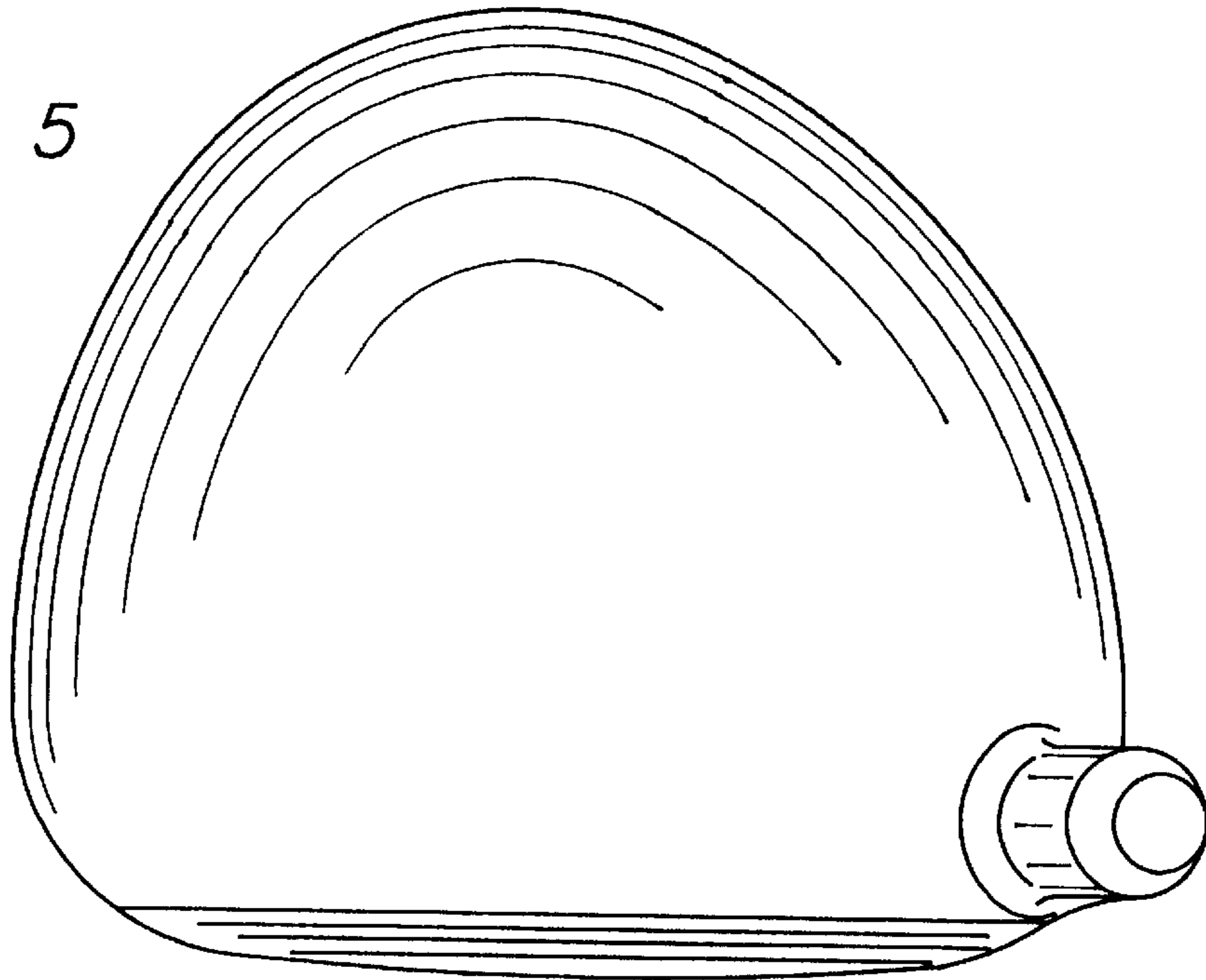


FIG. 6

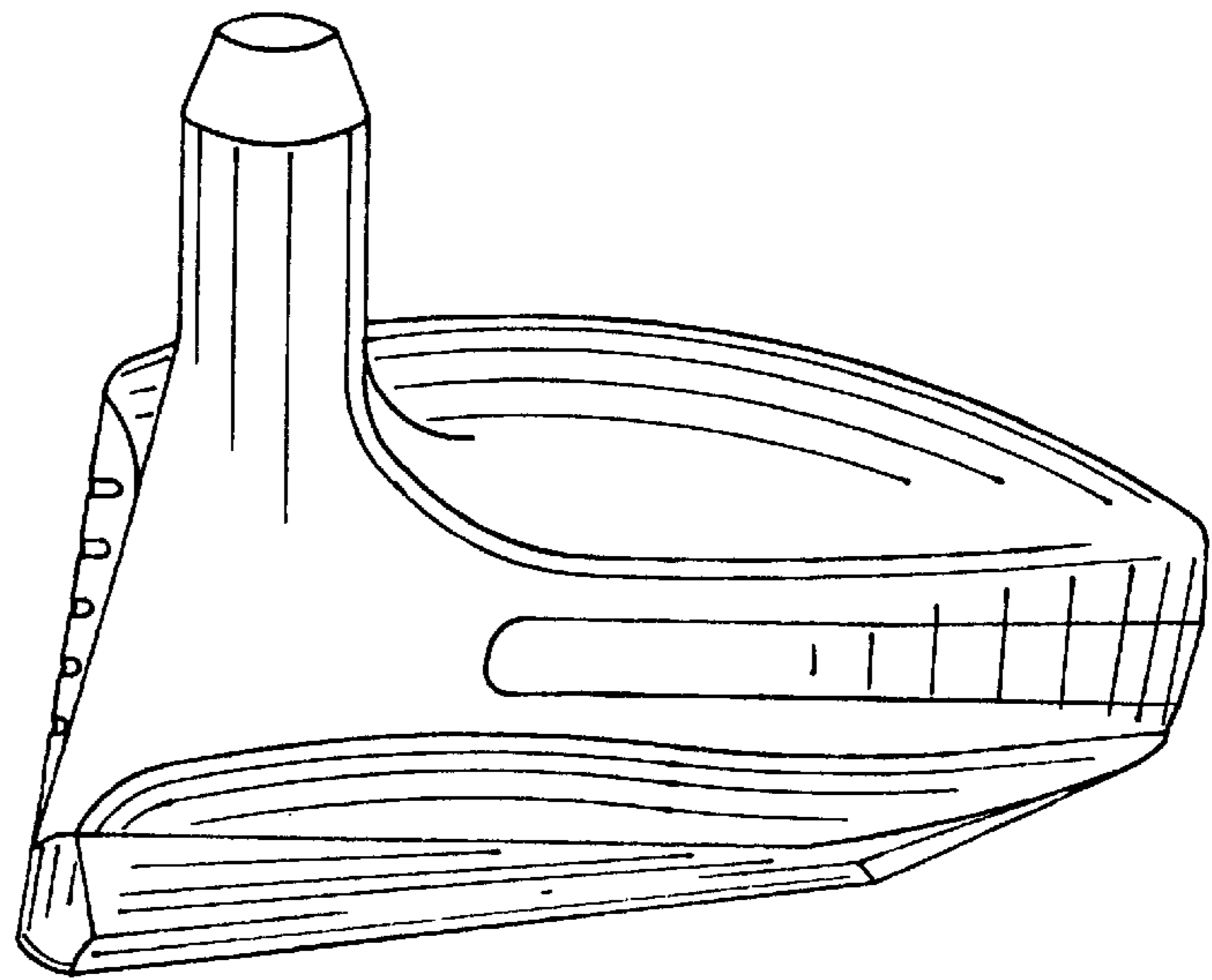


FIG. 7

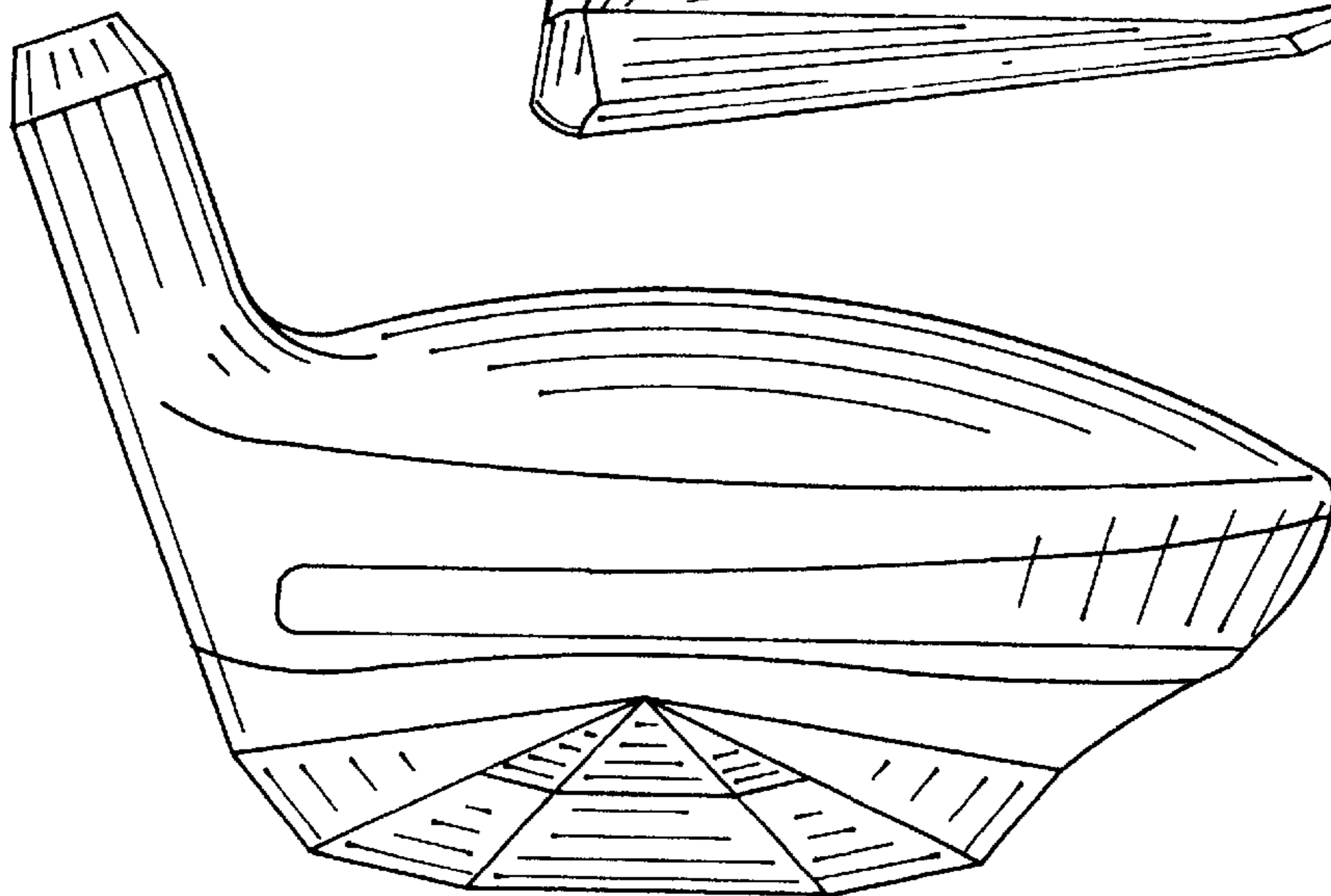


FIG. 8

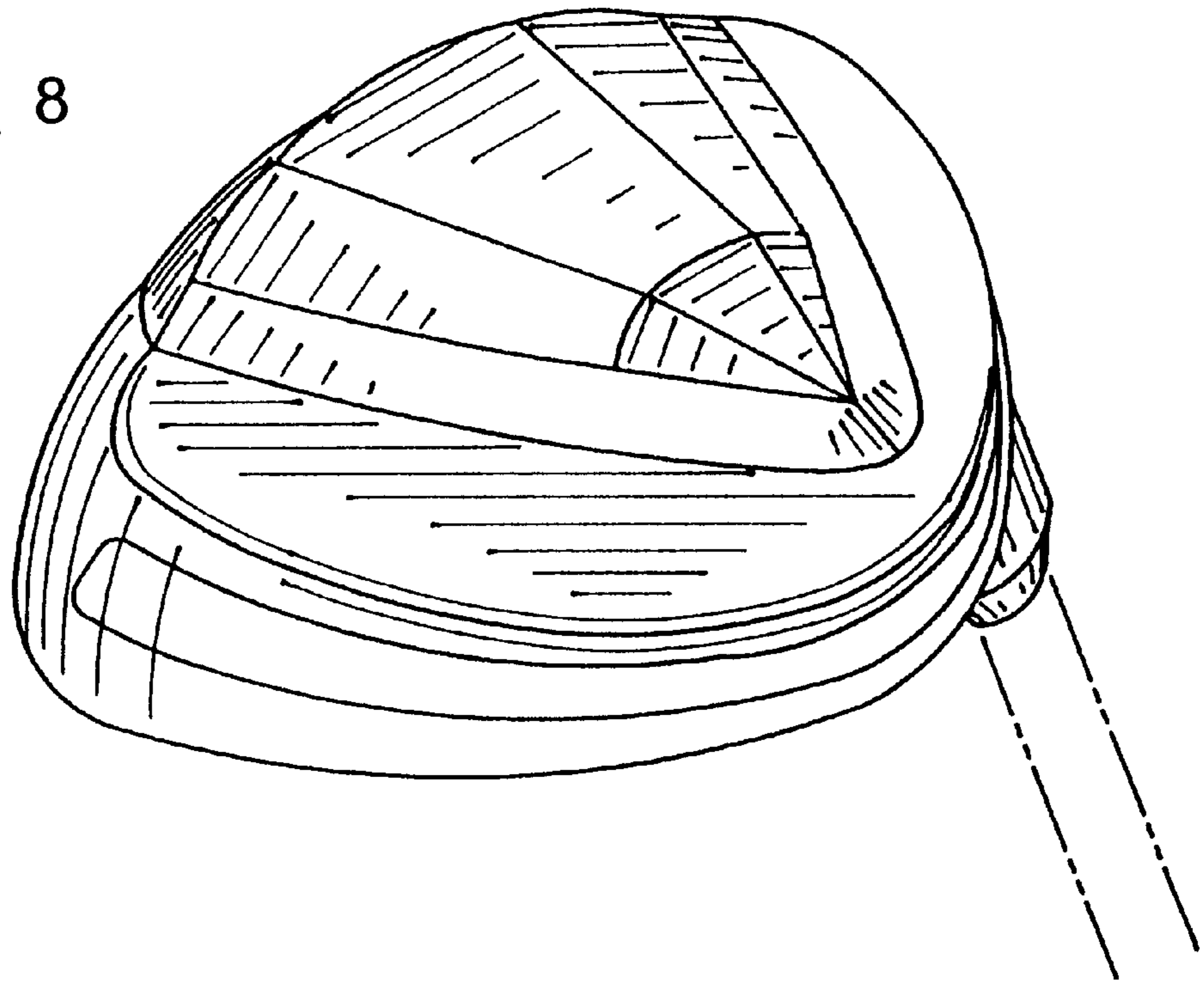


FIG. 9

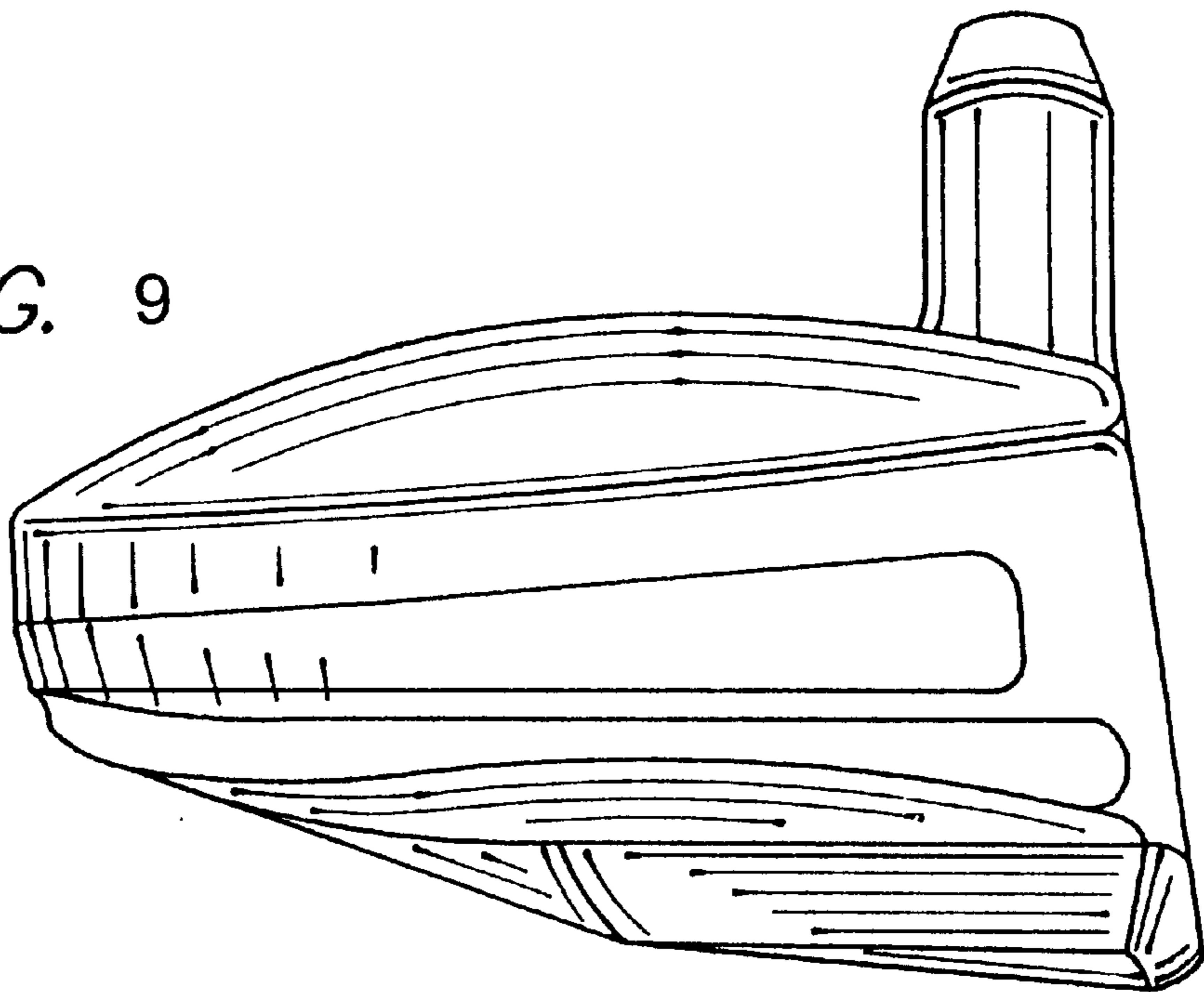


FIG. 10

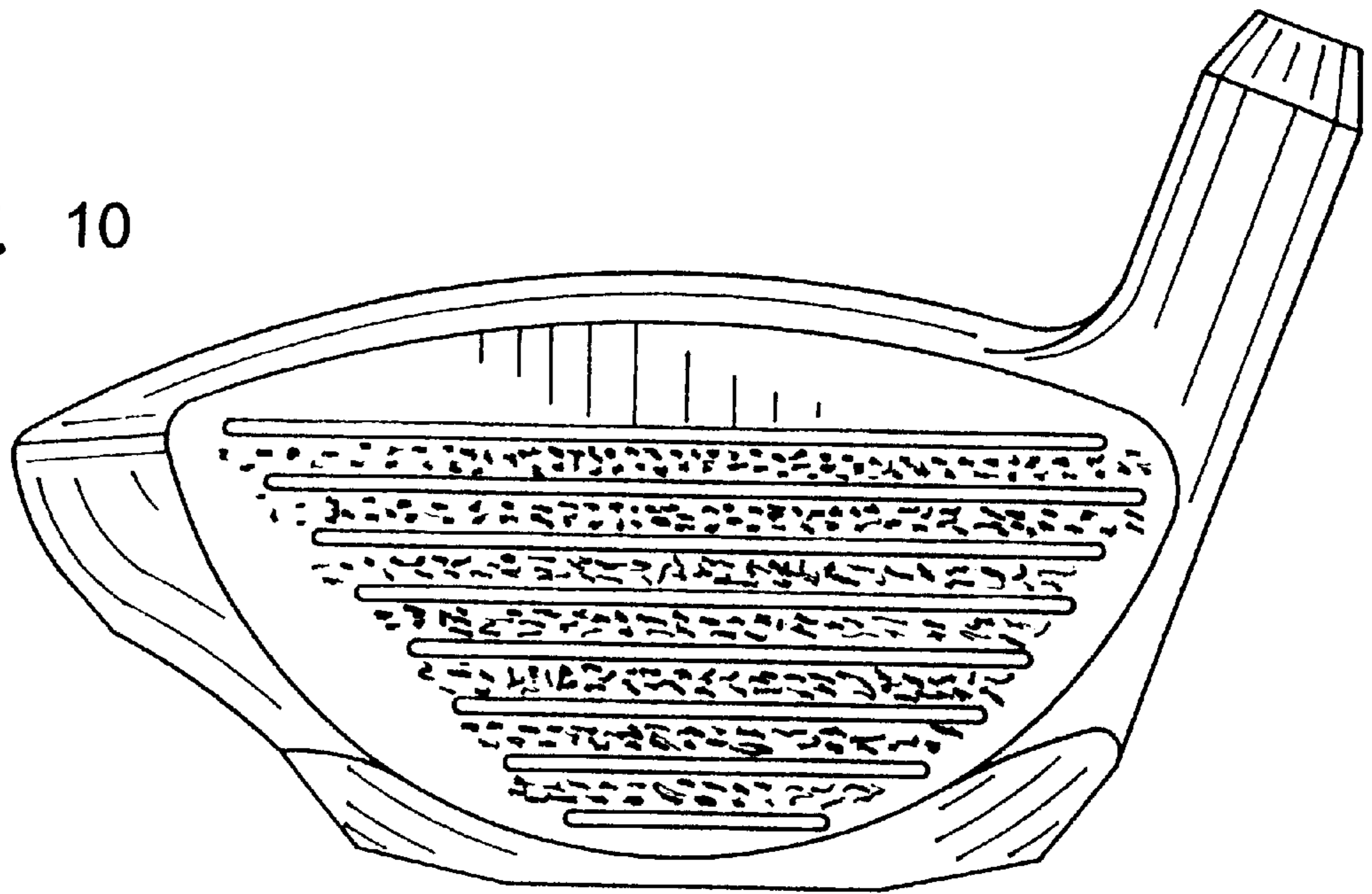


FIG. 11

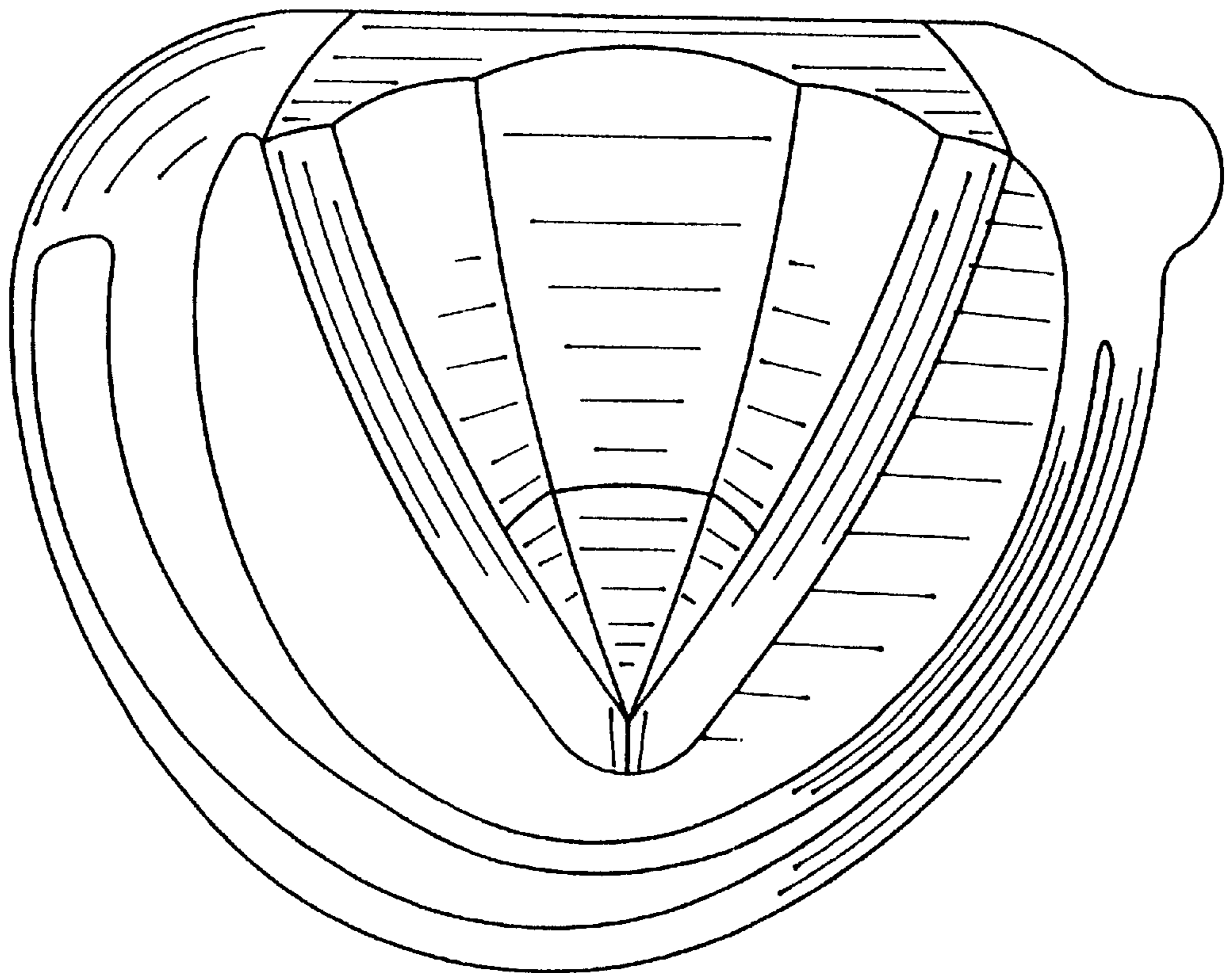


FIG. 12

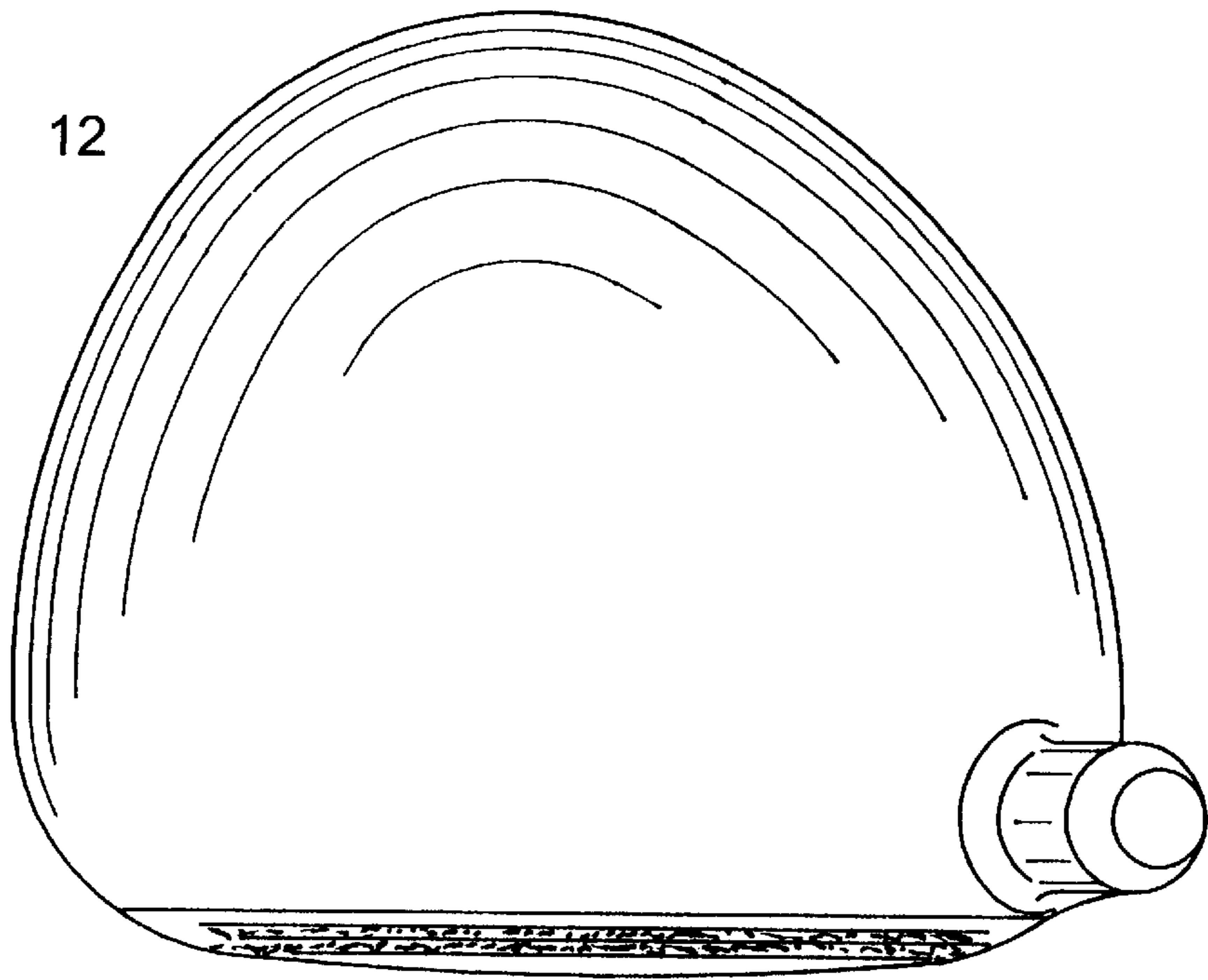


FIG. 13

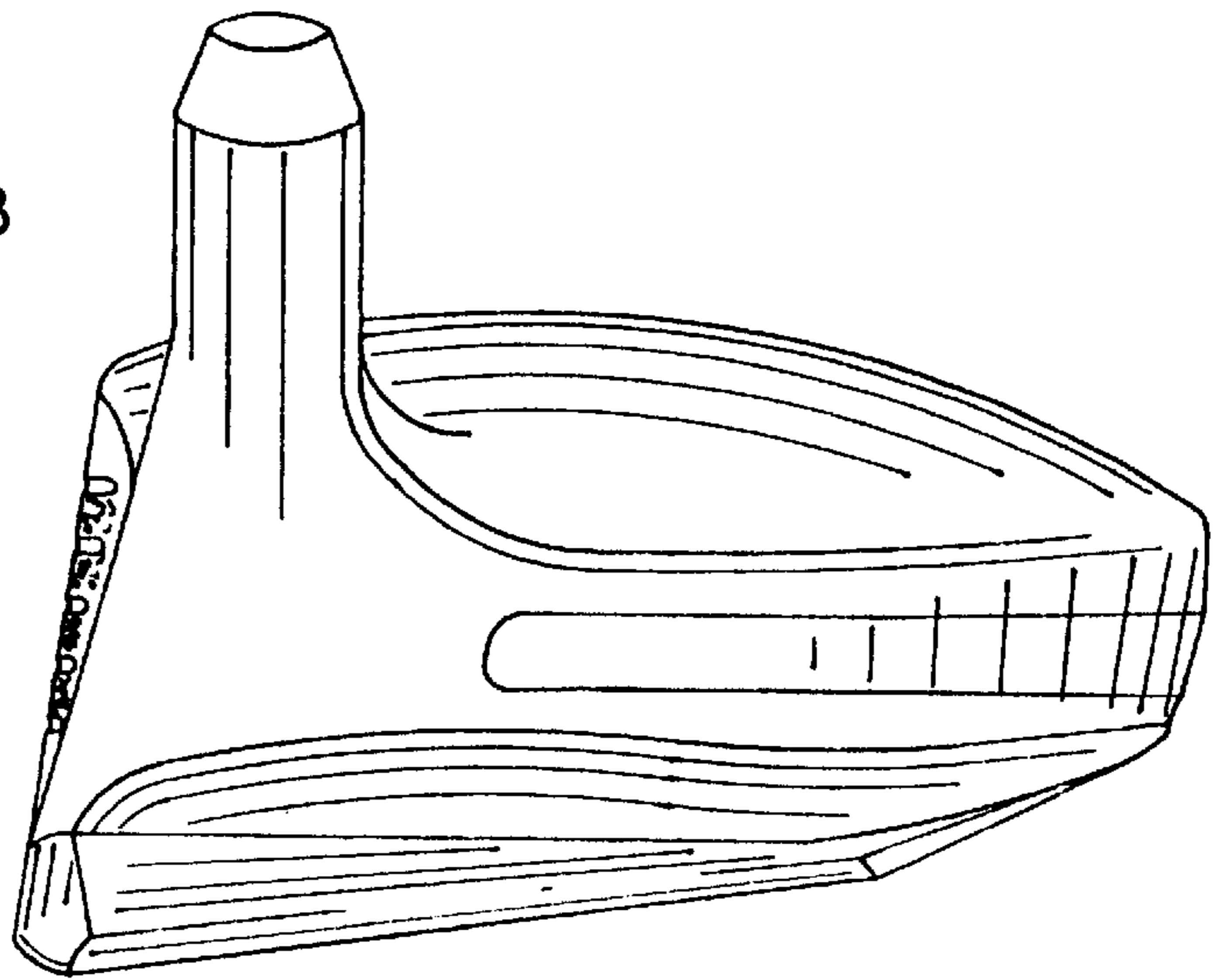


FIG. 14

