



US00D422657S

# United States Patent [19]

Lee

[11] **Patent Number: Des. 422,657**

[45] **Date of Patent: \*\* Apr. 11, 2000**

[54] **PUTTER TYPE GOLF CLUB HEAD**

[76] Inventor: **David C. Lee**, 625 Ragweed Valley Rd., Royal, Ark. 71968

[\*\*] Term: **14 Years**

[21] Appl. No.: **29/106,157**

[22] Filed: **Jun. 11, 1999**

[51] **LOC (6) Cl. .... 21-02**

[52] **U.S. Cl. .... D21/738**

[58] **Field of Search .... D21/736-746; 473/324, 327-331, 340, 341**

[56] **References Cited**

**U.S. PATENT DOCUMENTS**

D. 85,510	11/1931	Beach .....	D21/738
D. 335,691	5/1993	Barker et al. ....	D21/736
D. 357,043	4/1995	Turner .....	D21/738
D. 376,184	12/1996	Hytolaine .....	D21/736
D. 403,387	12/1998	Bloomer .....	D21/736

*Primary Examiner*—Mitchell Siegel

[57] **CLAIM**

The ornamental design for a putter type golf club head, as shown and described.

**DESCRIPTION**

FIG. 1 is a front perspective view of a putter type golf club head showing my new design.

FIG. 2 is a bottom perspective view thereof.

FIG. 3 is a top plan view thereof.

FIG. 4 is a front elevational view thereof; the rear elevational view being a mirror image.

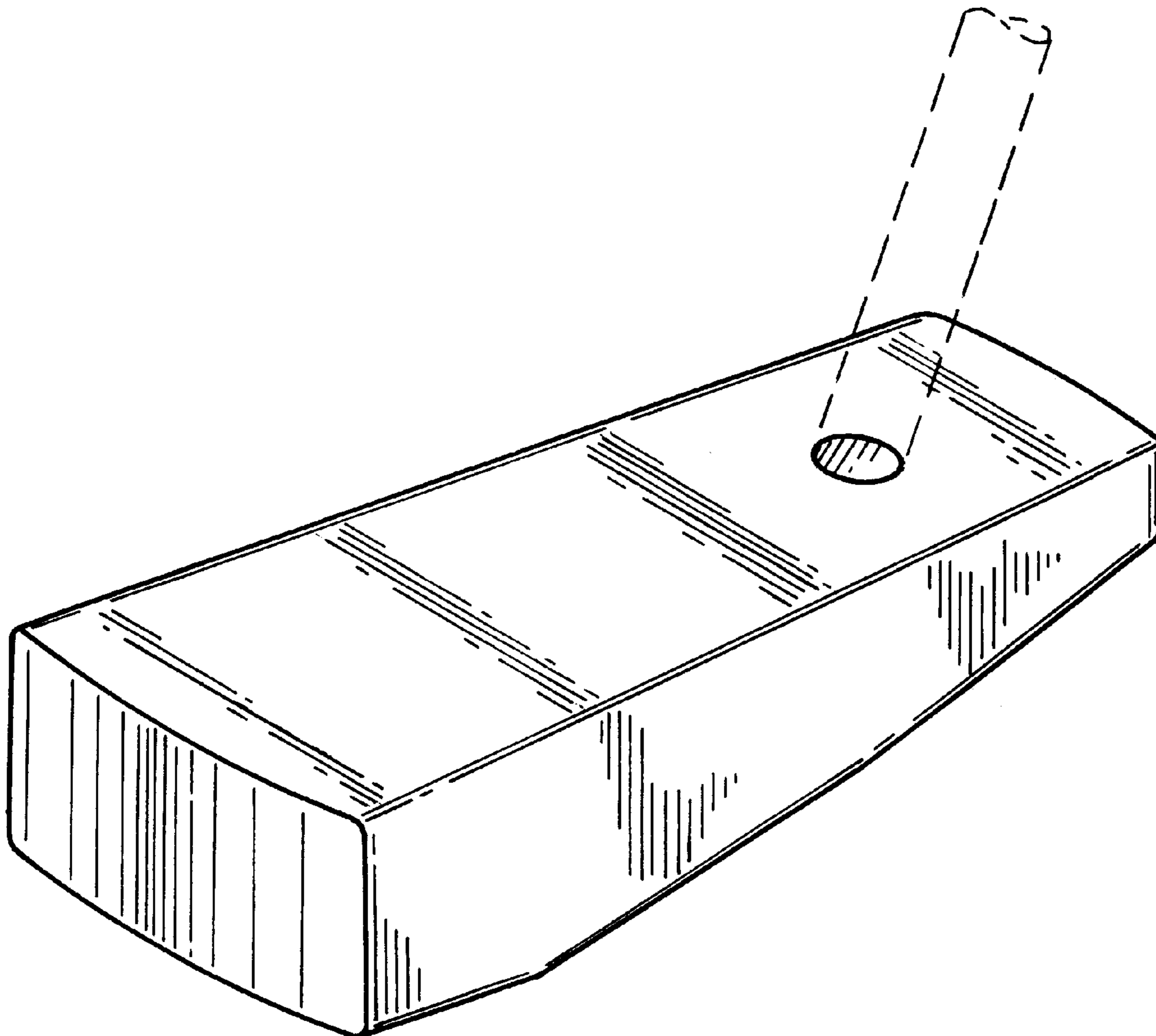
FIG. 5 is an end elevational view thereof.

FIG. 6 is a bottom view thereof; and,

FIG. 7 is an end elevational view taken from the opposite side of FIG. 5.

The broken lines showing a fragmented shaft are for illustrative purposes only and form no part of the design.

**1 Claim, 2 Drawing Sheets**



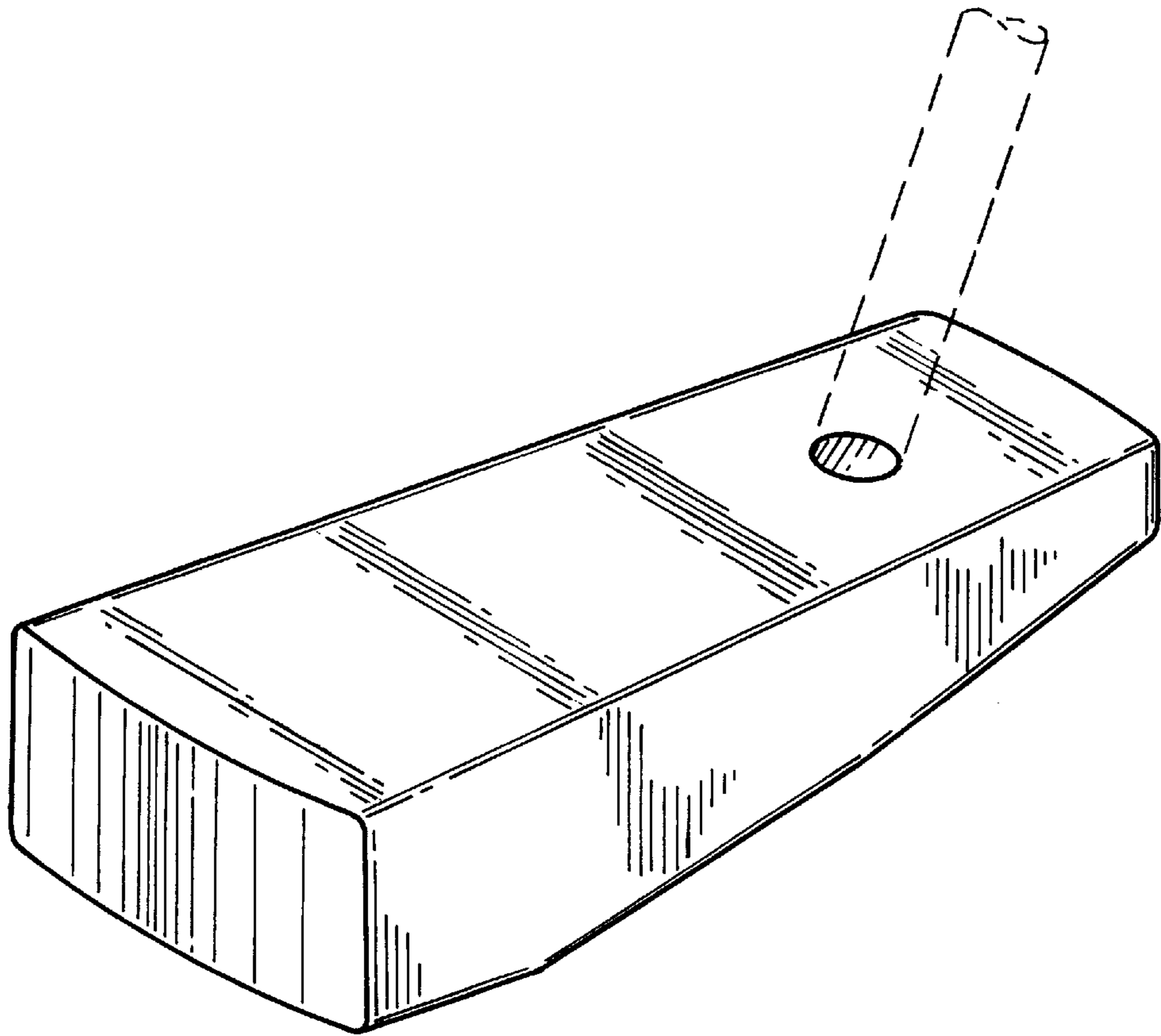


FIG. 1

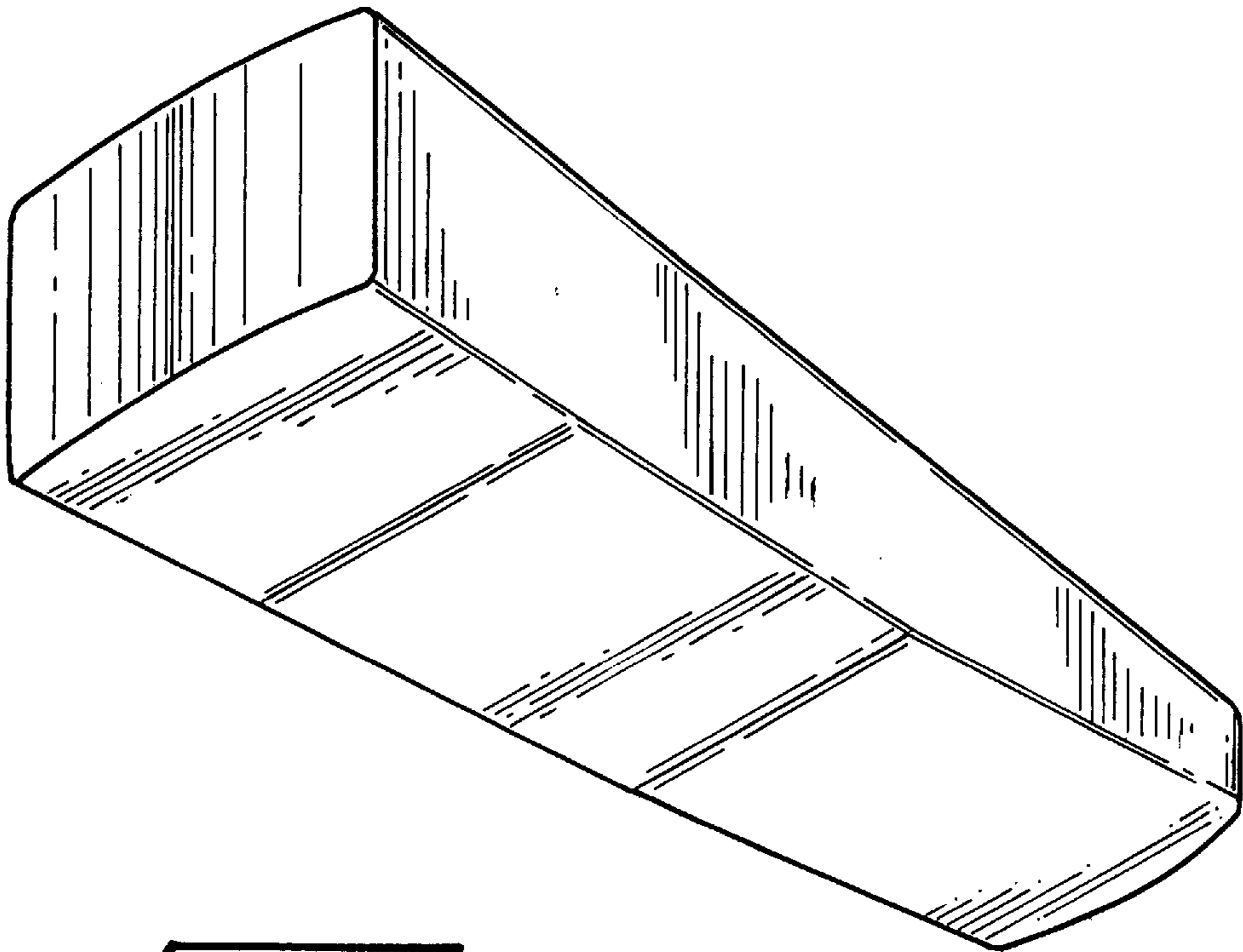


FIG. 2

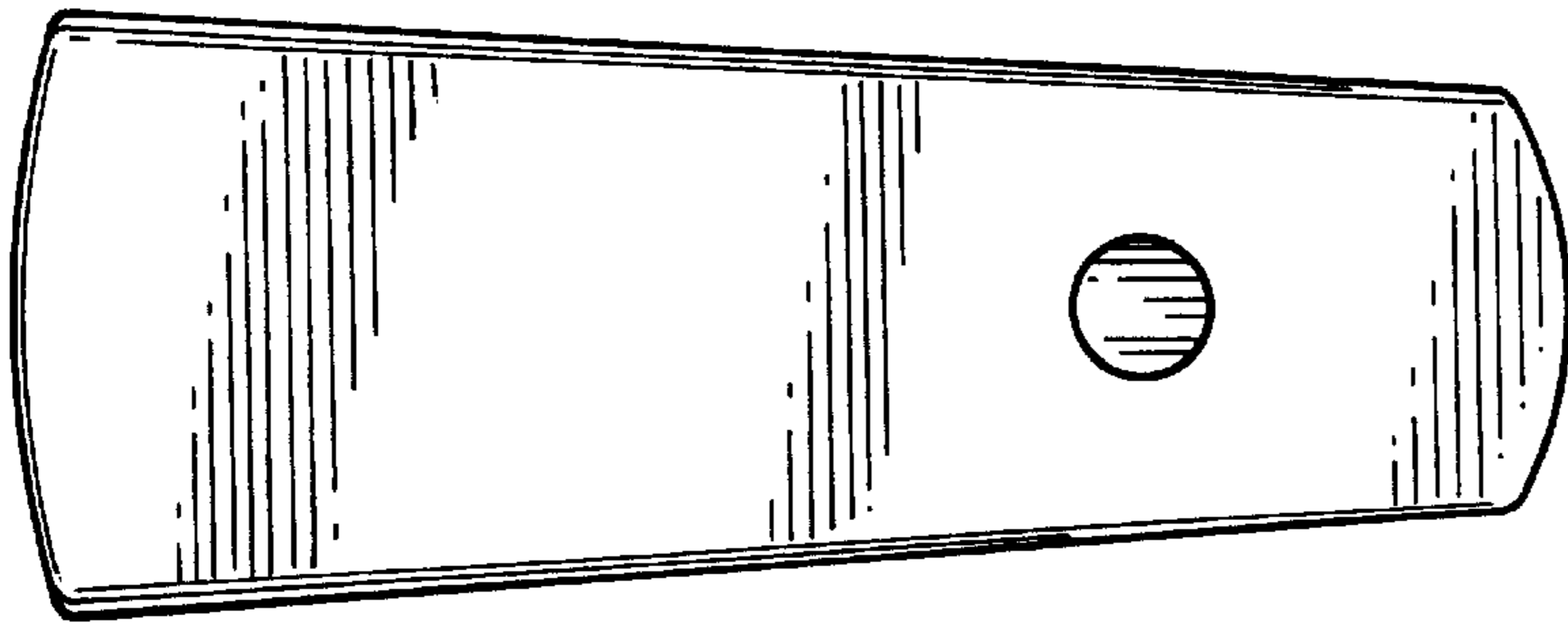


FIG. 3

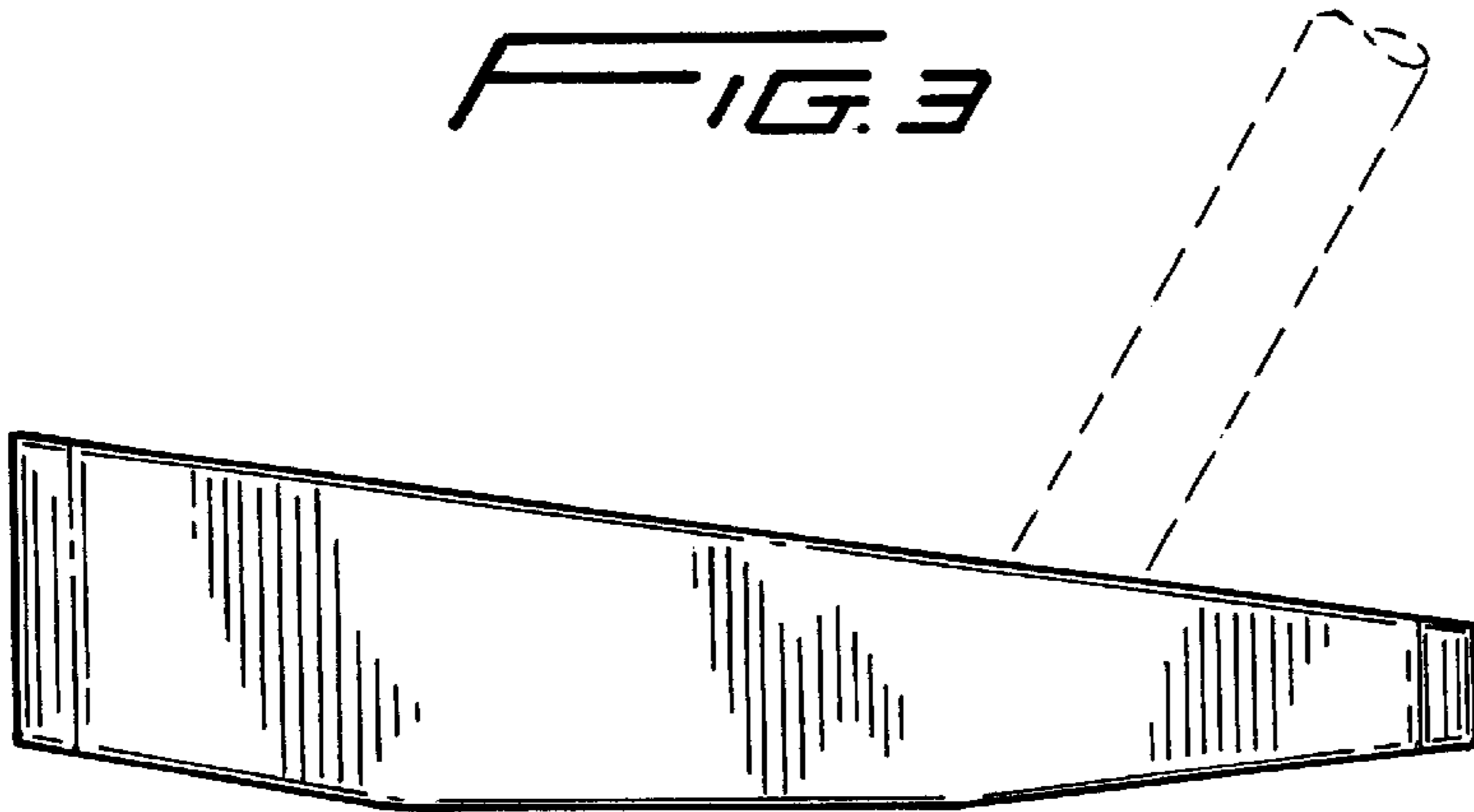


FIG. 4

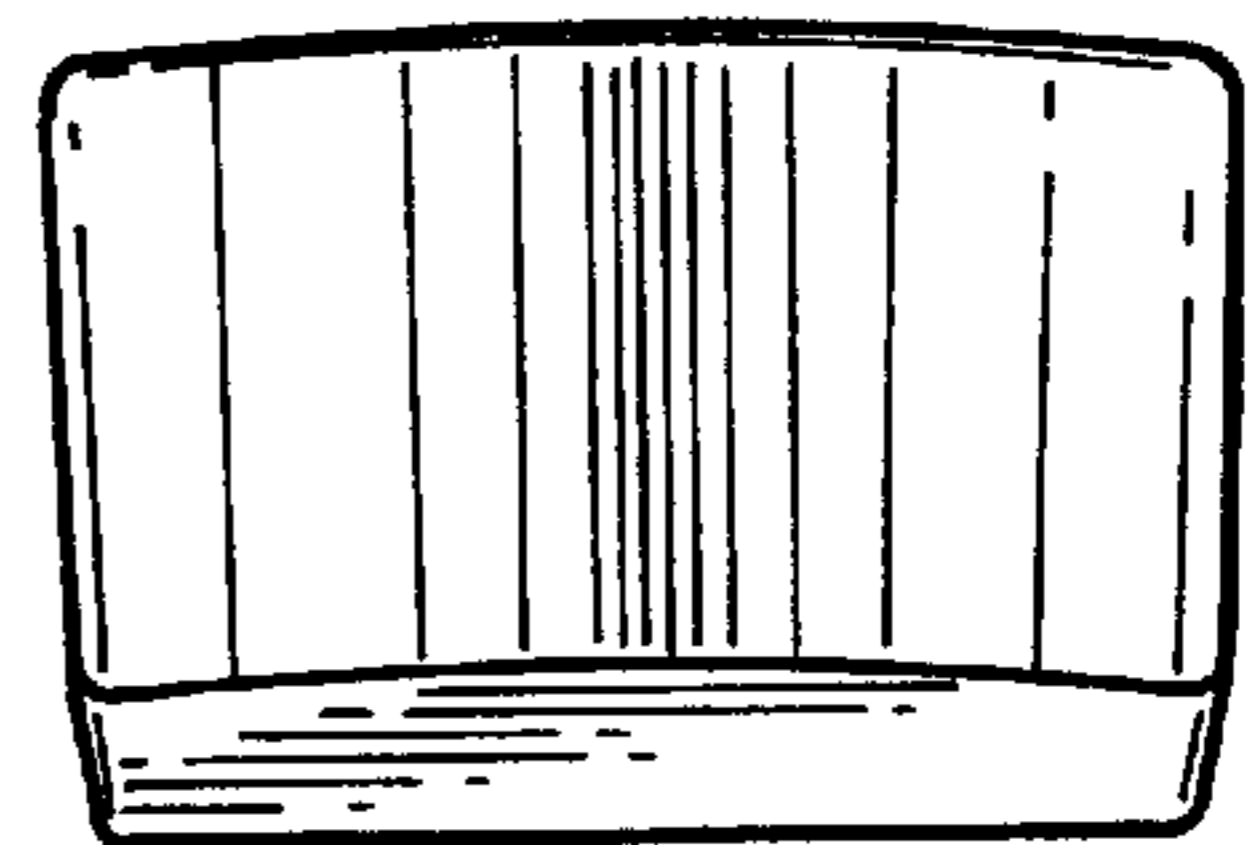


FIG. 5

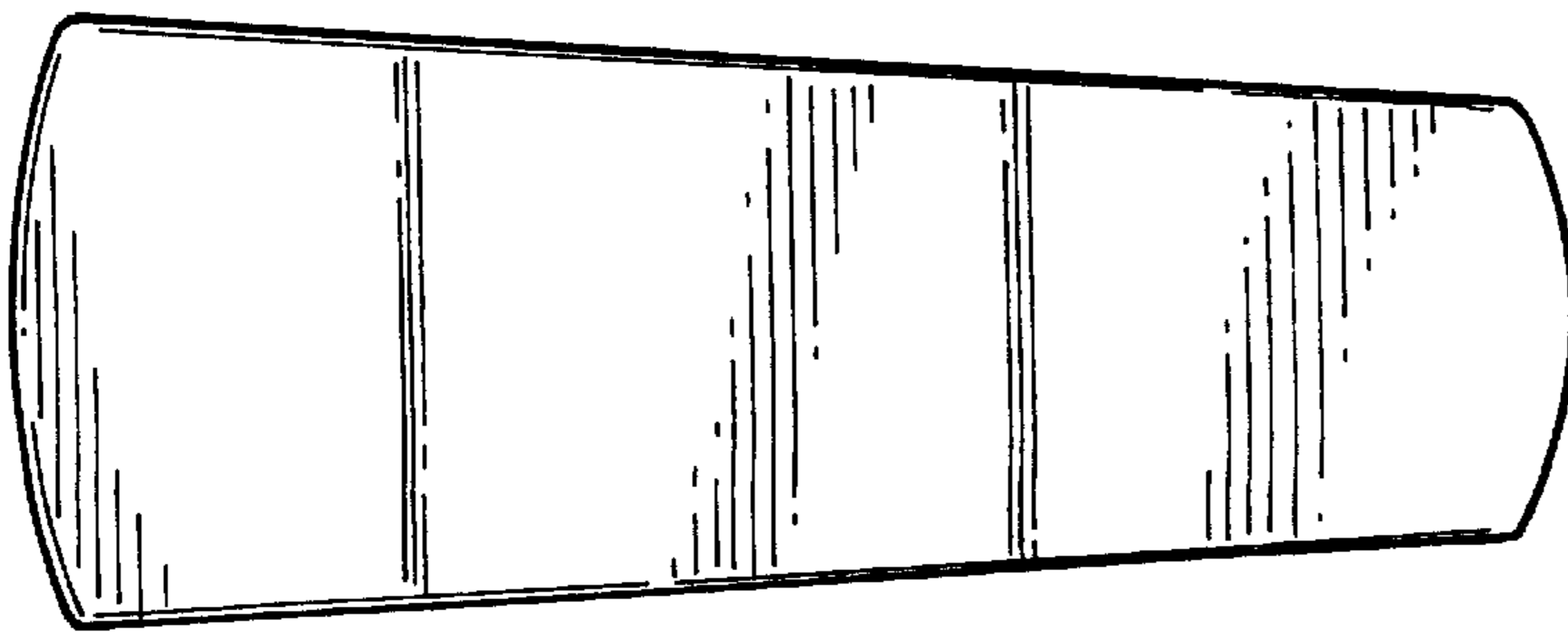


FIG. 6

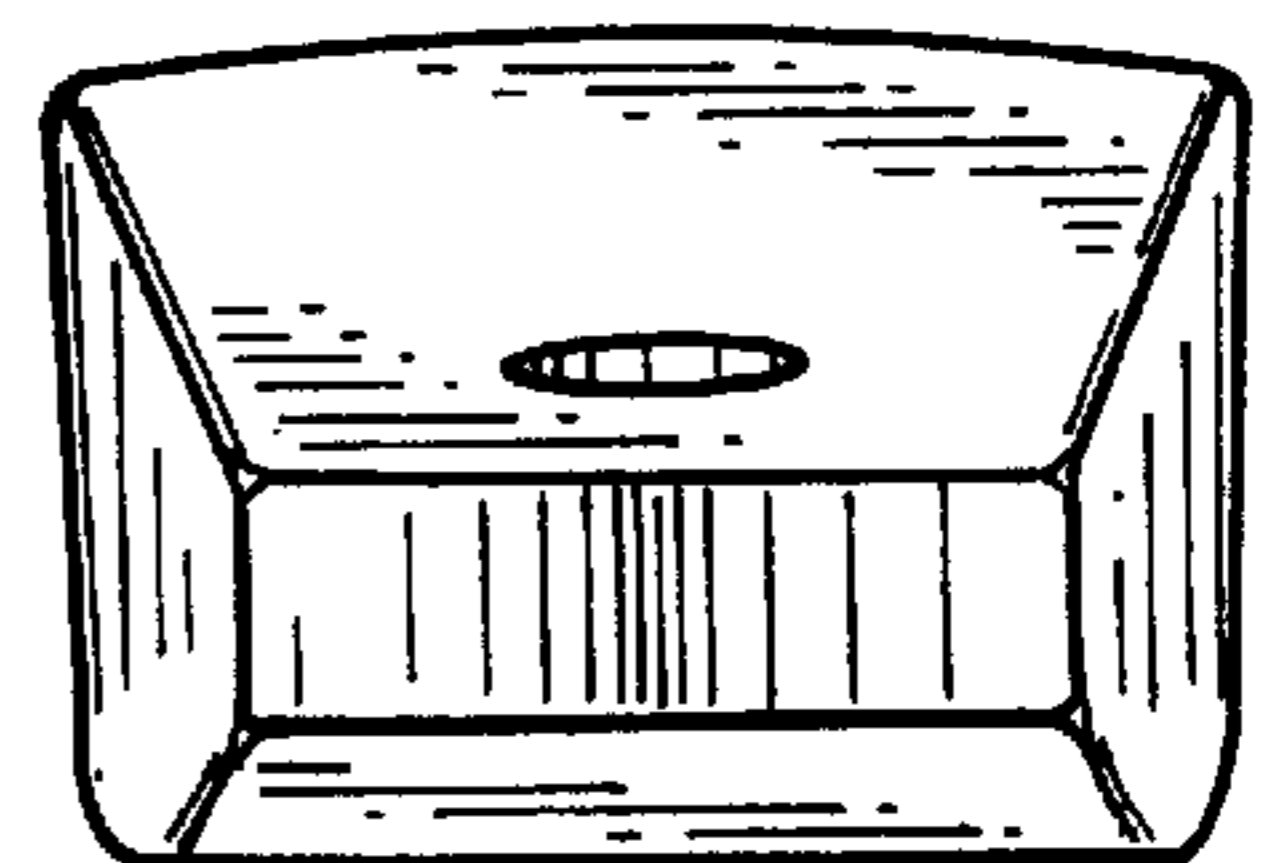


FIG. 7