



US00D422651S

United States Patent [19] Rosen

[11] **Patent Number: Des. 422,651**

[45] **Date of Patent: ** Apr. 11, 2000**

[54] **HAIR CREATIONS TOY**

D. 347,942 6/1994 Gilbert et al. D28/73 X
D. 373,445 9/1996 Wright-godley D28/61

[75] Inventor: **Lawrence I. Rosen**, Mendham, N.J.

Primary Examiner—Terry A. Wallace

[73] Assignee: **Rose Art Industries, Inc.**, Livingston, N.J.

Attorney, Agent, or Firm—Allen N. Friedman; McCarter & English LLP

[**] Term: **14 Years**

[57] CLAIM

[21] Appl. No.: **29/095,405**

The ornamental design for a hair creations toy, as shown and described.

[22] Filed: **Oct. 22, 1998**

DESCRIPTION

[51] **LOC (6) Cl.** **21-01**

[52] **U.S. Cl.** **D21/483; D28/73**

[58] **Field of Search** D28/73-75, 61;
D21/483, 522; 206/214, 349, 566, 581,
823; 211/70.6, 71.01, 74, 133.1; 248/127,
176.1; 446/472, 475, 491; D3/205, 206,
304, 307-315

FIG. 1 is a perspective view of an article of the invention; FIG. 2 is a plan view of an article of the invention; FIG. 3 is a front elevational view of an article of the invention; FIG. 4 is a rear elevational view of an article of the invention; FIG. 5 is a left elevational view of an article of the invention; FIG. 6 is a right elevational view of an article of the invention; and, FIG. 7 is a bottom view of an article of the invention.

[56] References Cited

U.S. PATENT DOCUMENTS

D. 322,731 12/1991 Willie D28/73 X

1 Claim, 7 Drawing Sheets

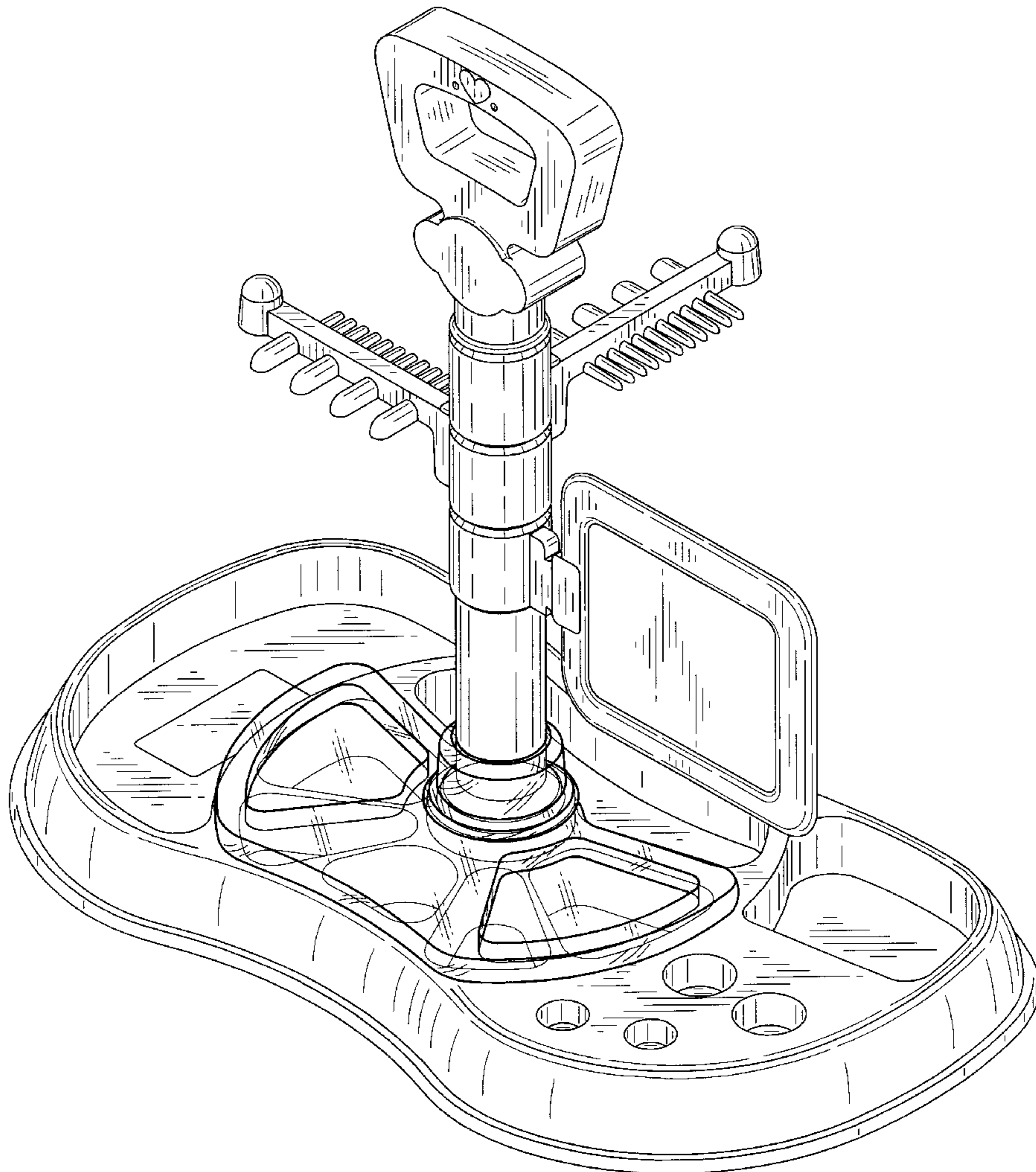


FIG. 1

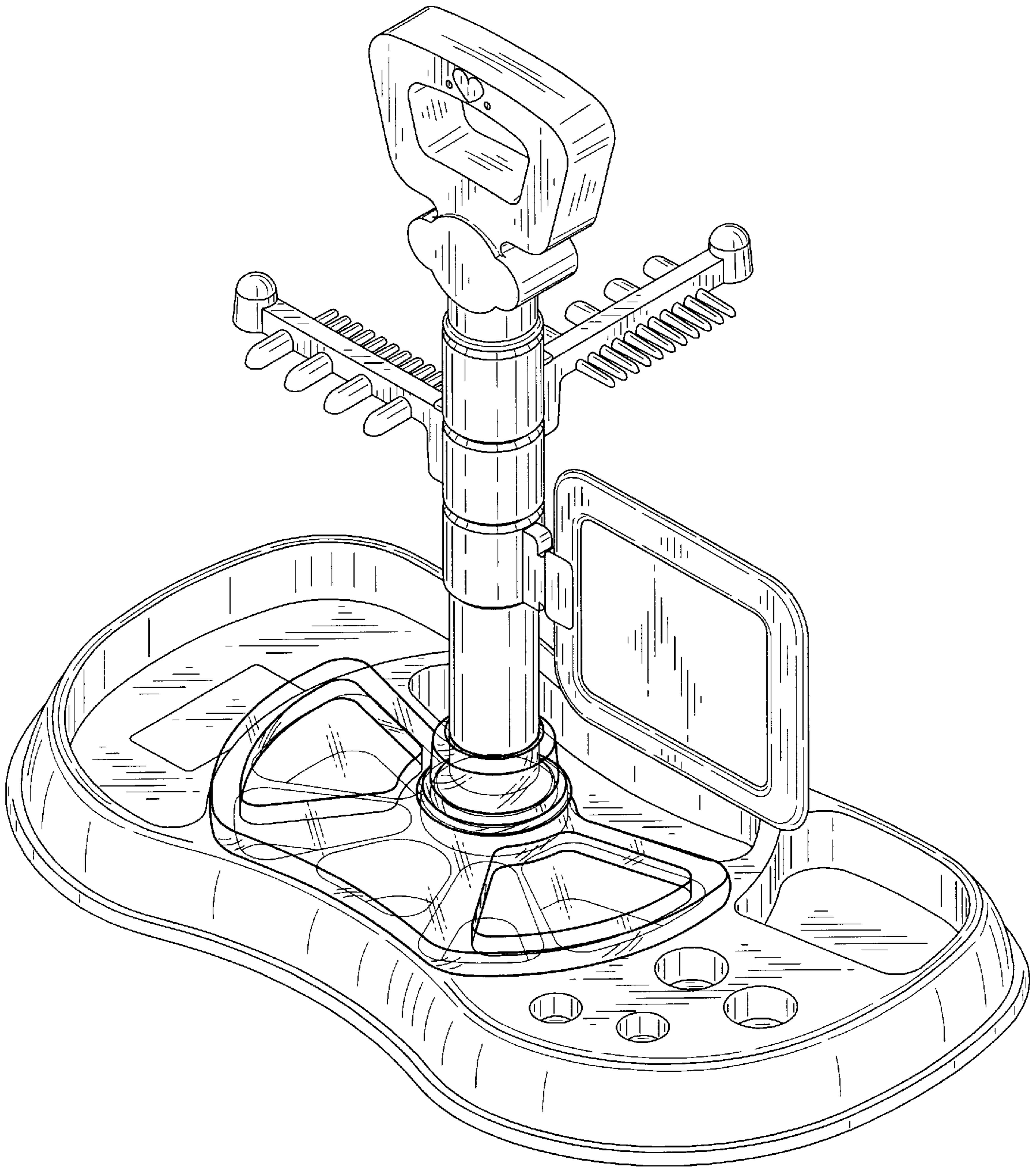


FIG. 2

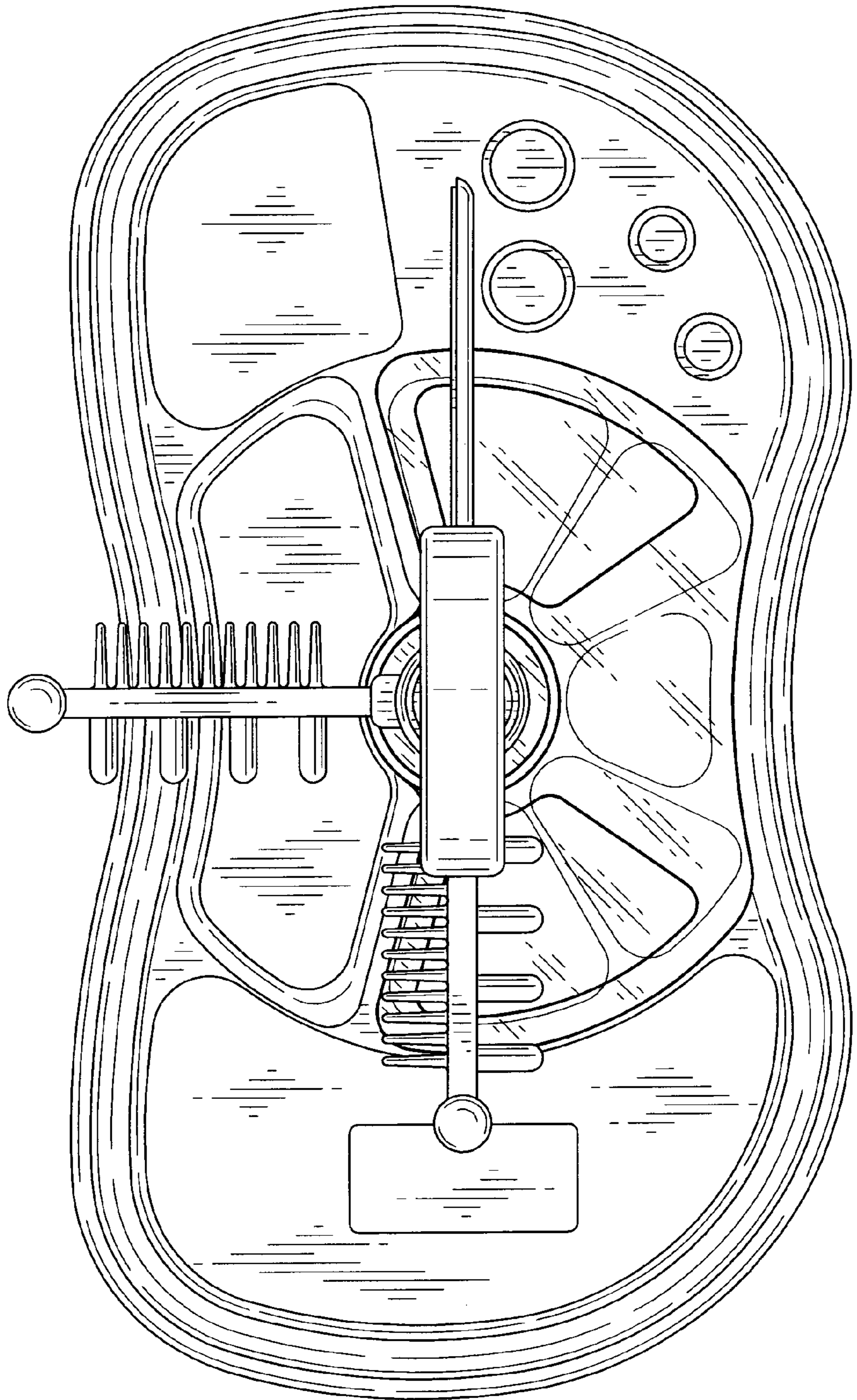


FIG. 3

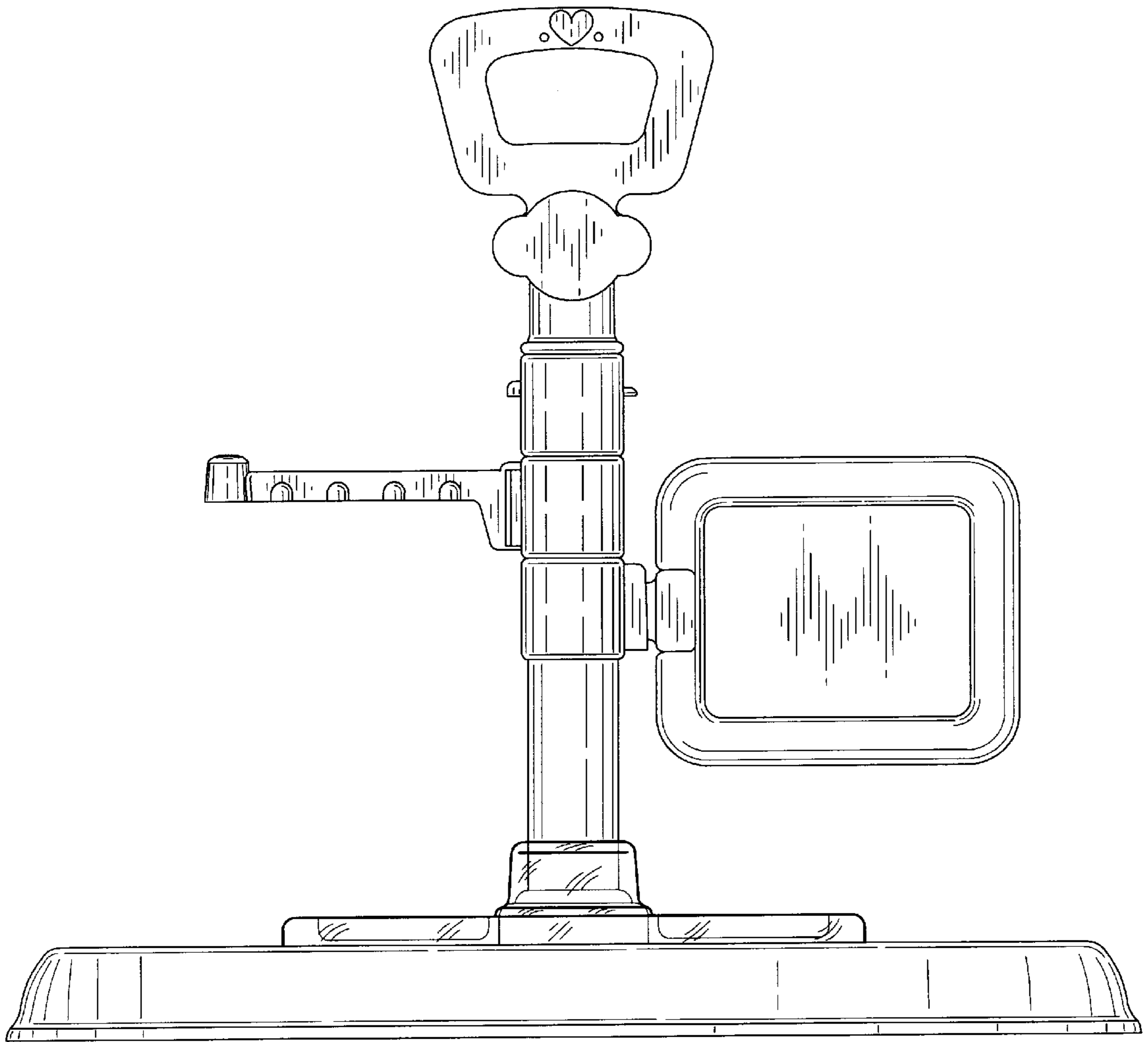


FIG. 4

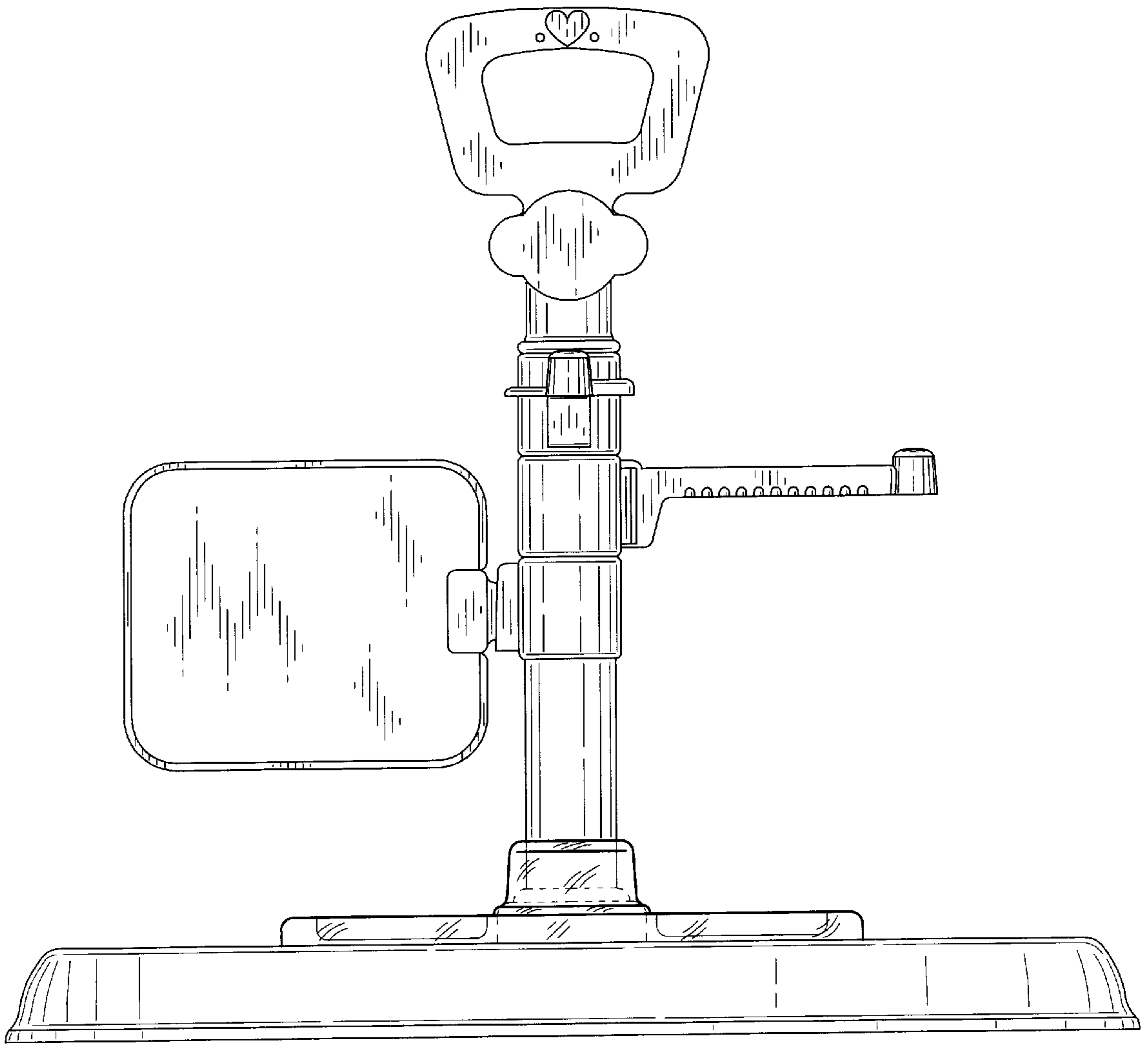


FIG. 5

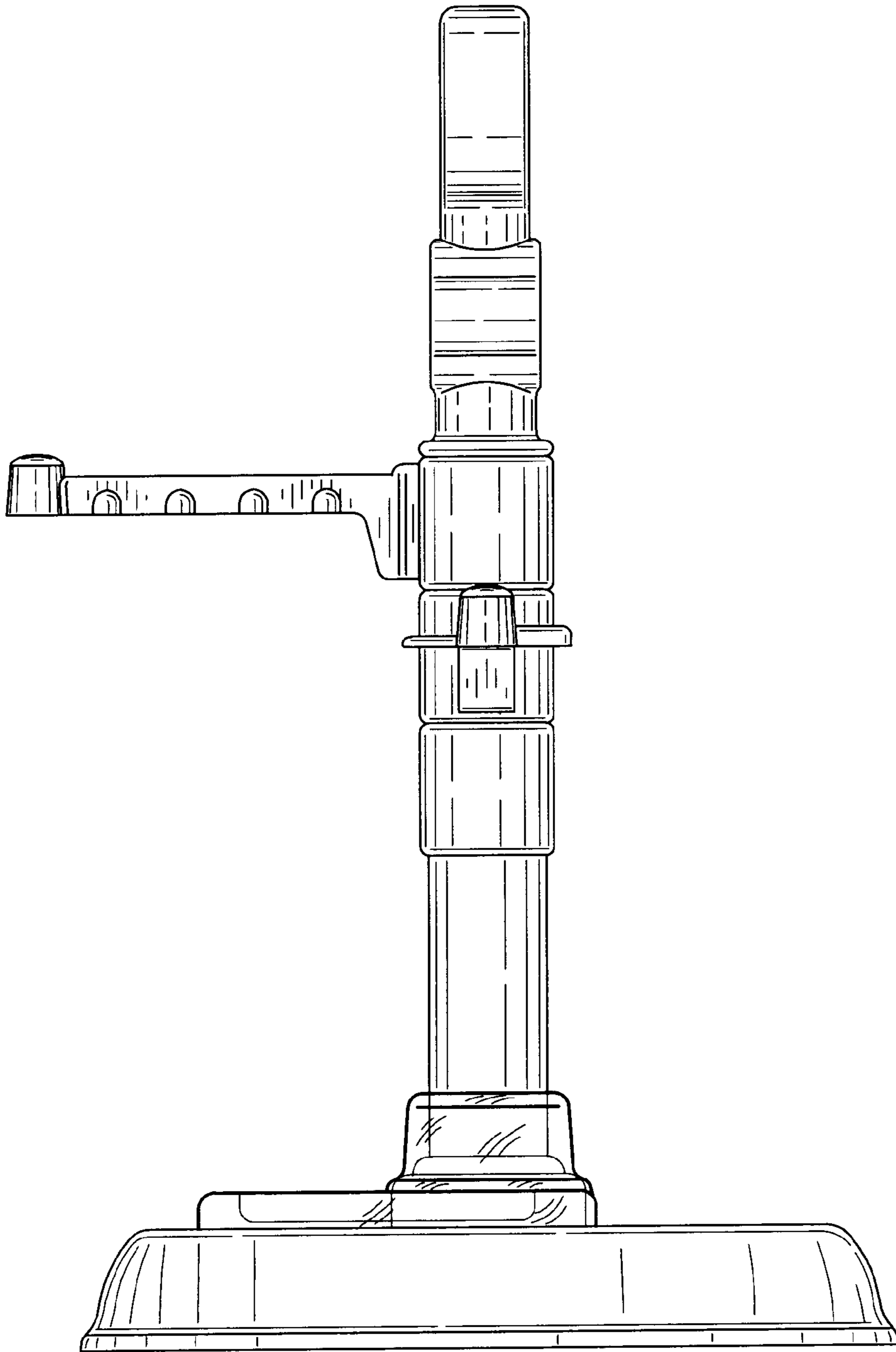


FIG. 6

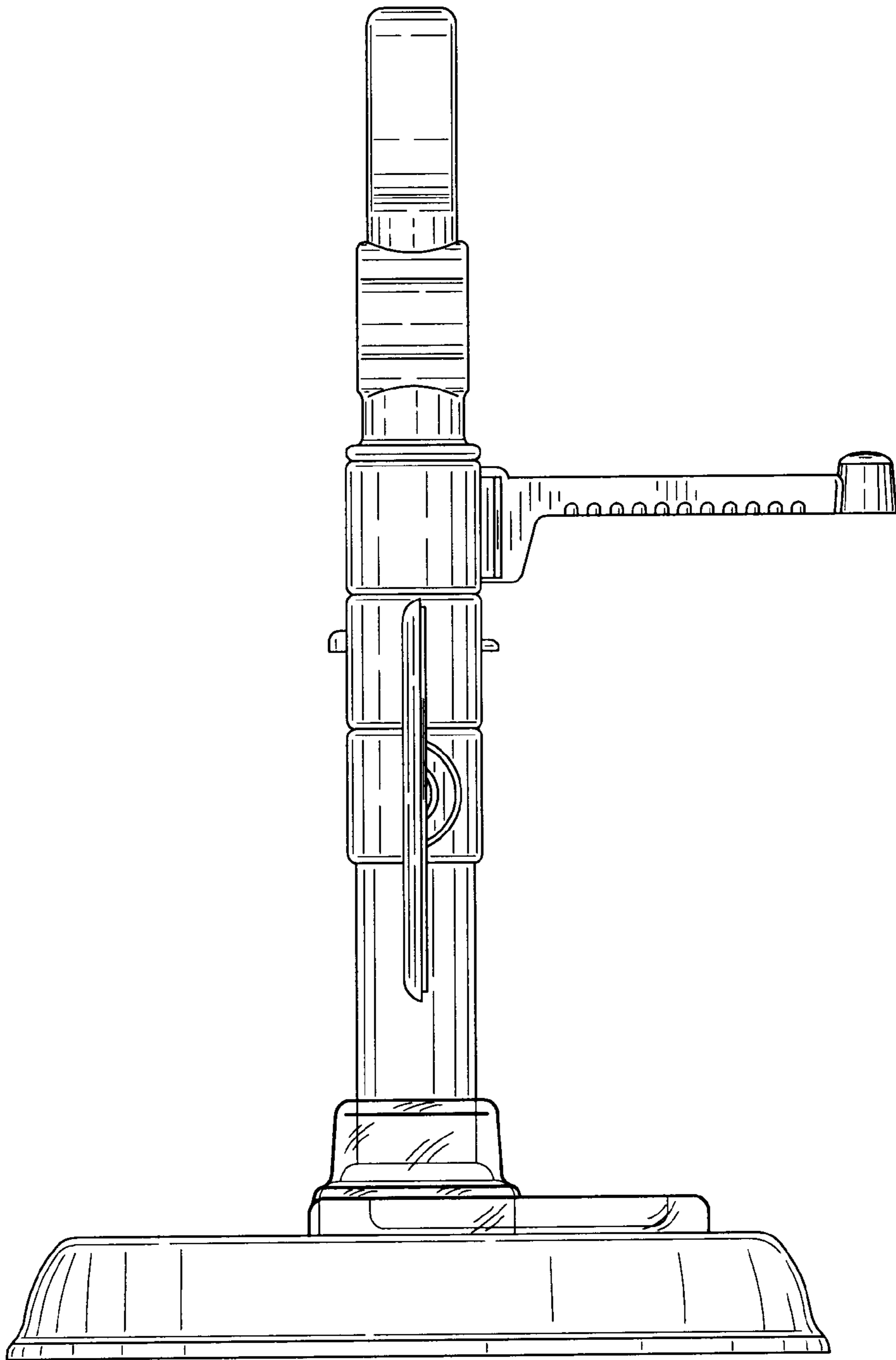


FIG. 7

