



US00D422650S

United States Patent [19] Wei

[11] Patent Number: **Des. 422,650**

[45] Date of Patent: **** Apr. 11, 2000**

[54] **TOY SPACECRAFT**

[75] Inventor: **Kam Wah Wei**, Kowloon, The Hong Kong Special Administrative Region of the People's Republic of China

[73] Assignee: **Wah Hing Toys Development Co., Ltd.**, Kowloon, The Hong Kong Special Administrative Region of the People's Republic of China

[**] Term: **14 Years**

[21] Appl. No.: **29/102,018**

[22] Filed: **Mar. 16, 1999**

[51] **LOC (6) Cl.** **21-01**

[52] **U.S. Cl.** **D21/451**

[58] **Field of Search** D21/436, 447, D21/451; D12/12, 16.1, 319, 326, 343; 446/30-33, 34, 55, 56, 231

[56] **References Cited**

U.S. PATENT DOCUMENTS

D. 268,773 4/1983 Rodis-Jamero D21/451

D. 272,839 2/1984 Jennings et al. D21/451
D. 279,016 5/1985 Boudreaux D21/451
D. 279,696 7/1985 Begg D21/451
D. 288,946 3/1987 Rodis-Jamero D21/451
D. 293,256 12/1987 Suzuki D21/451
D. 321,732 11/1991 Furst D21/451

Primary Examiner—Dominic Simone
Attorney, Agent, or Firm—Leydig, Voit & Mayer, Ltd.

[57] **CLAIM**

The ornamental design for a toy spacecraft, as shown and described.

DESCRIPTION

FIG. 1 is a top plan view of a toy spacecraft showing my new design;

FIG. 2 is a bottom plan view thereof;

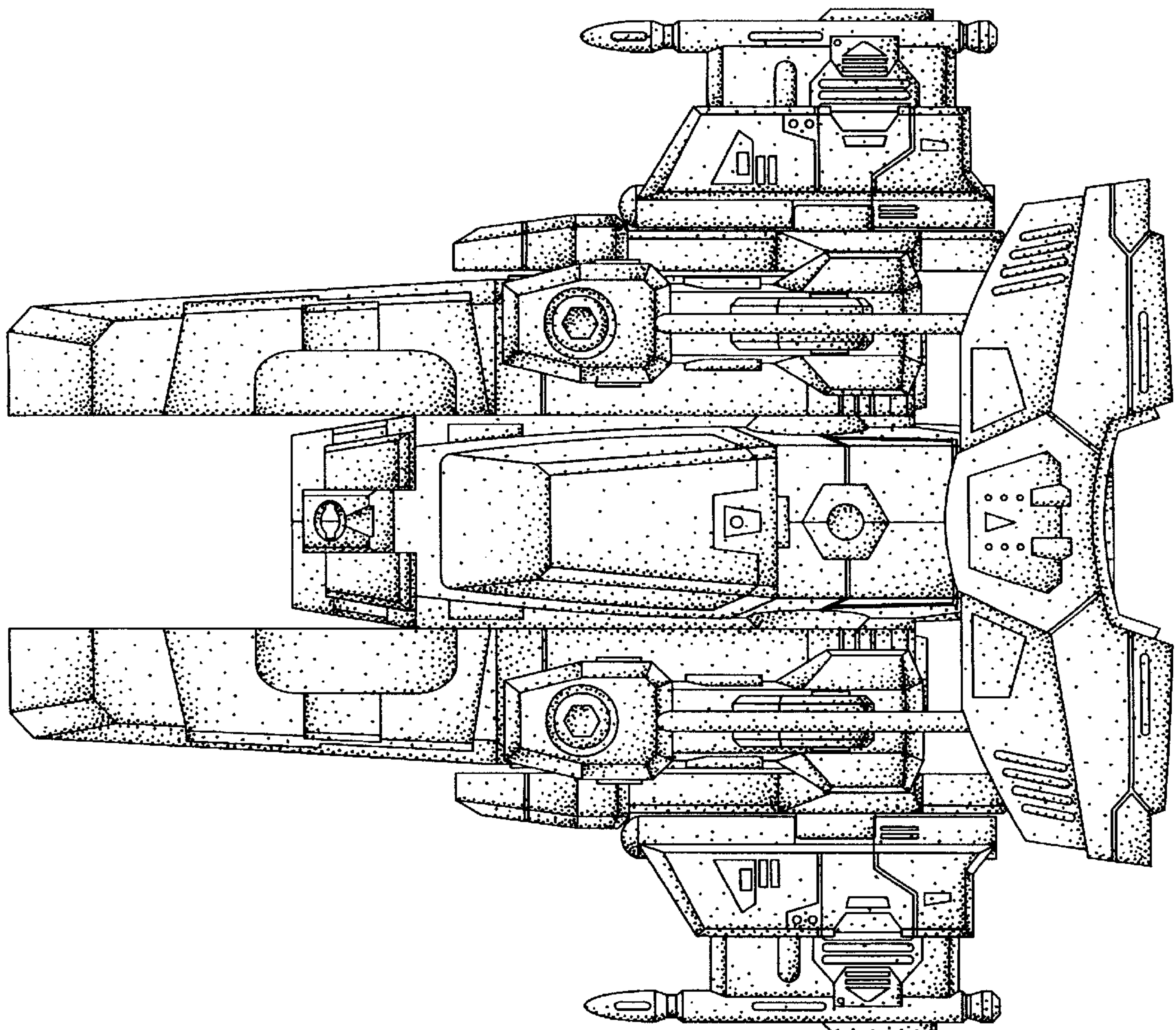
FIG. 3 is a left side elevational view thereof;

FIG. 4 is a right side elevational view thereof;

FIG. 5 is a front end elevational view thereof; and,

FIG. 6 is a rear end elevational view thereof.

1 Claim, 4 Drawing Sheets



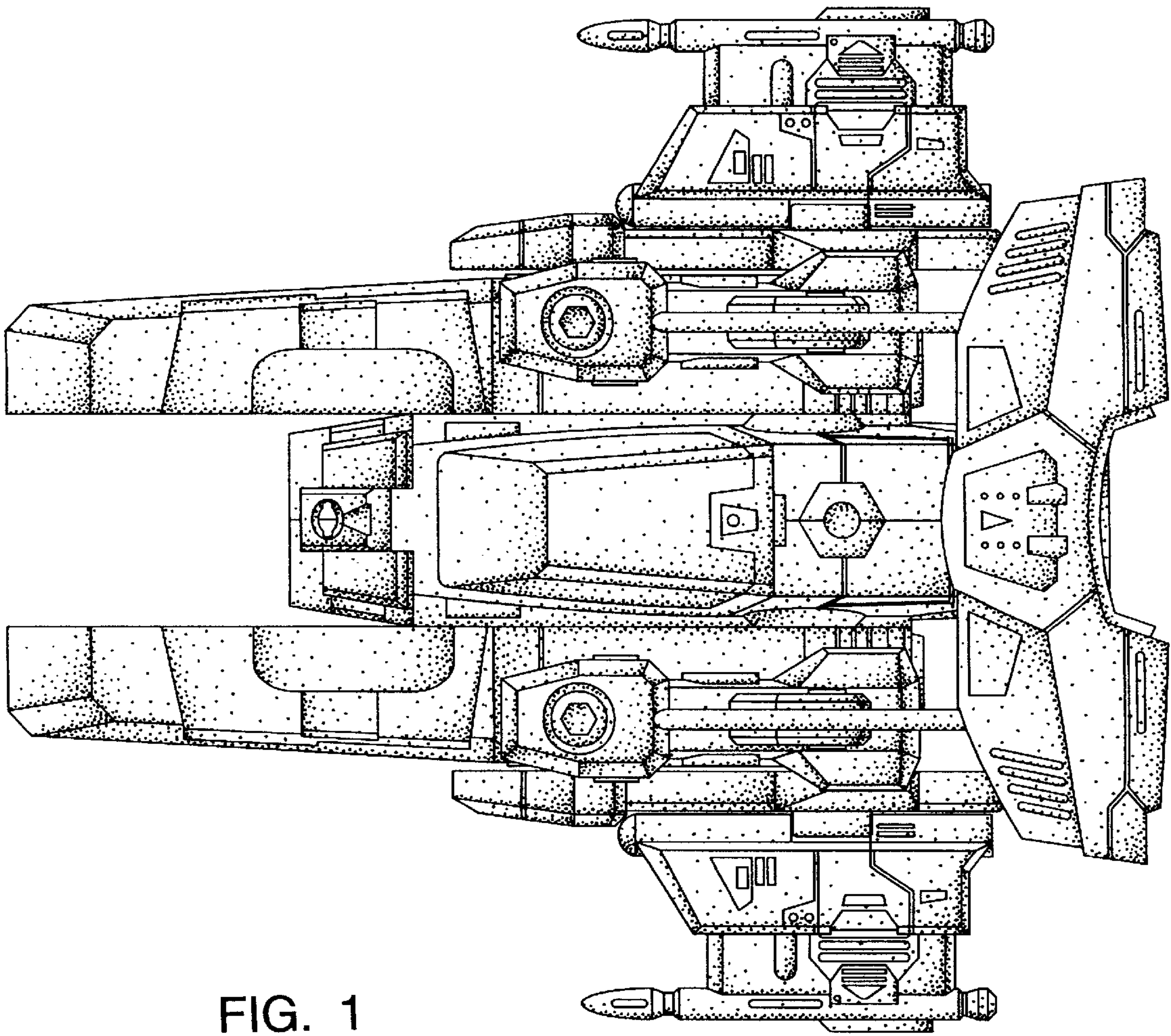


FIG. 1

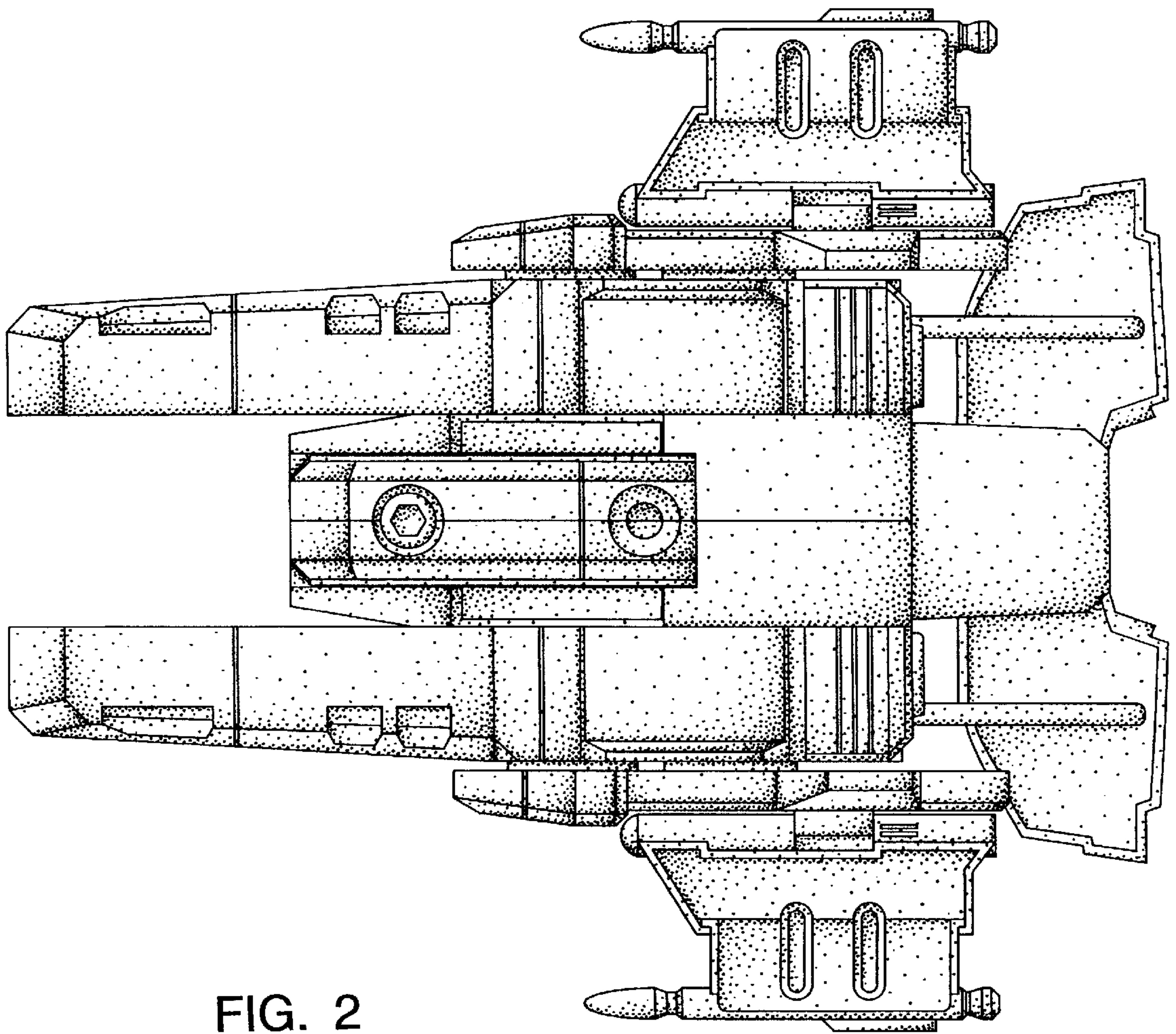


FIG. 2

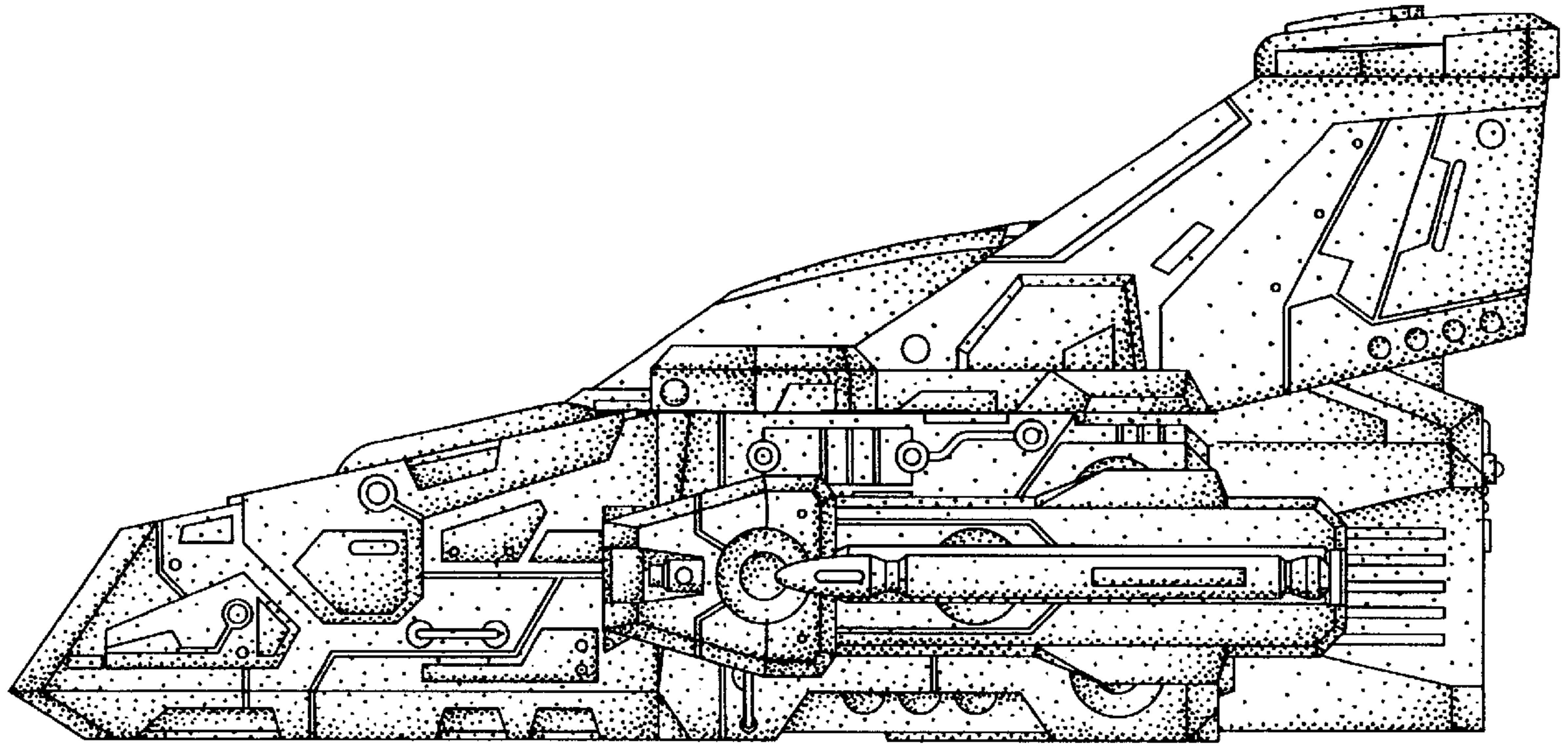


FIG. 3

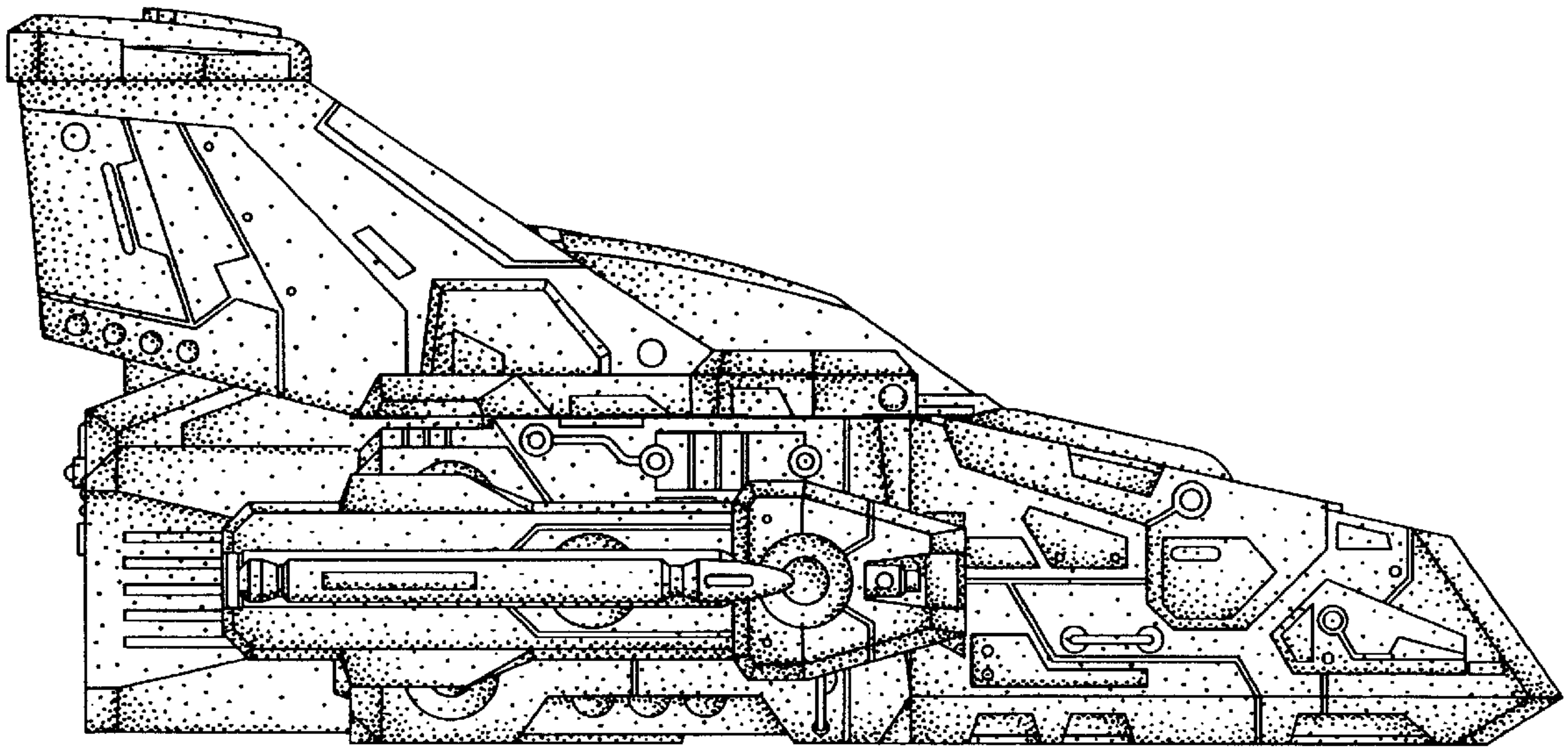


FIG. 4

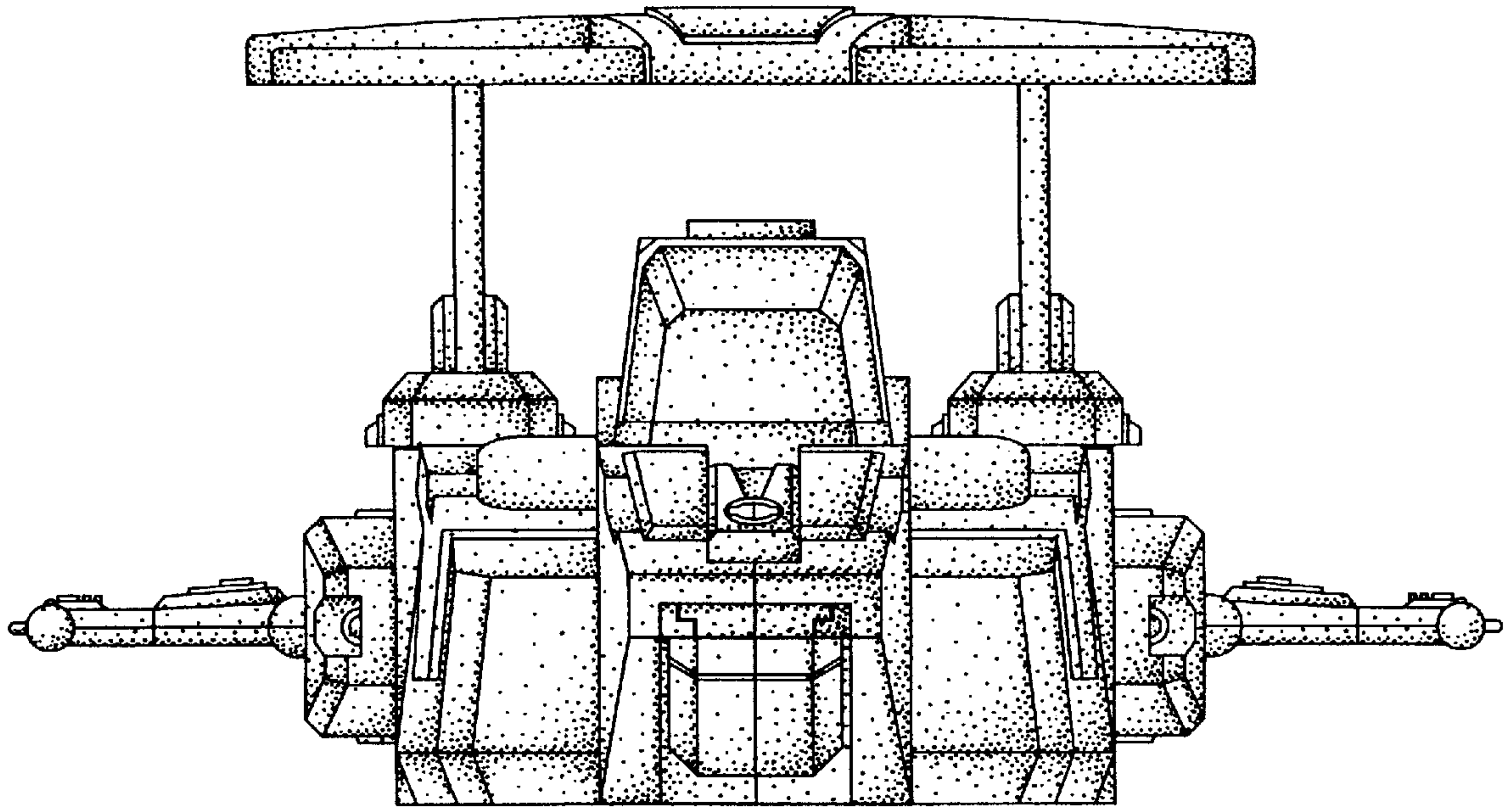


FIG. 5

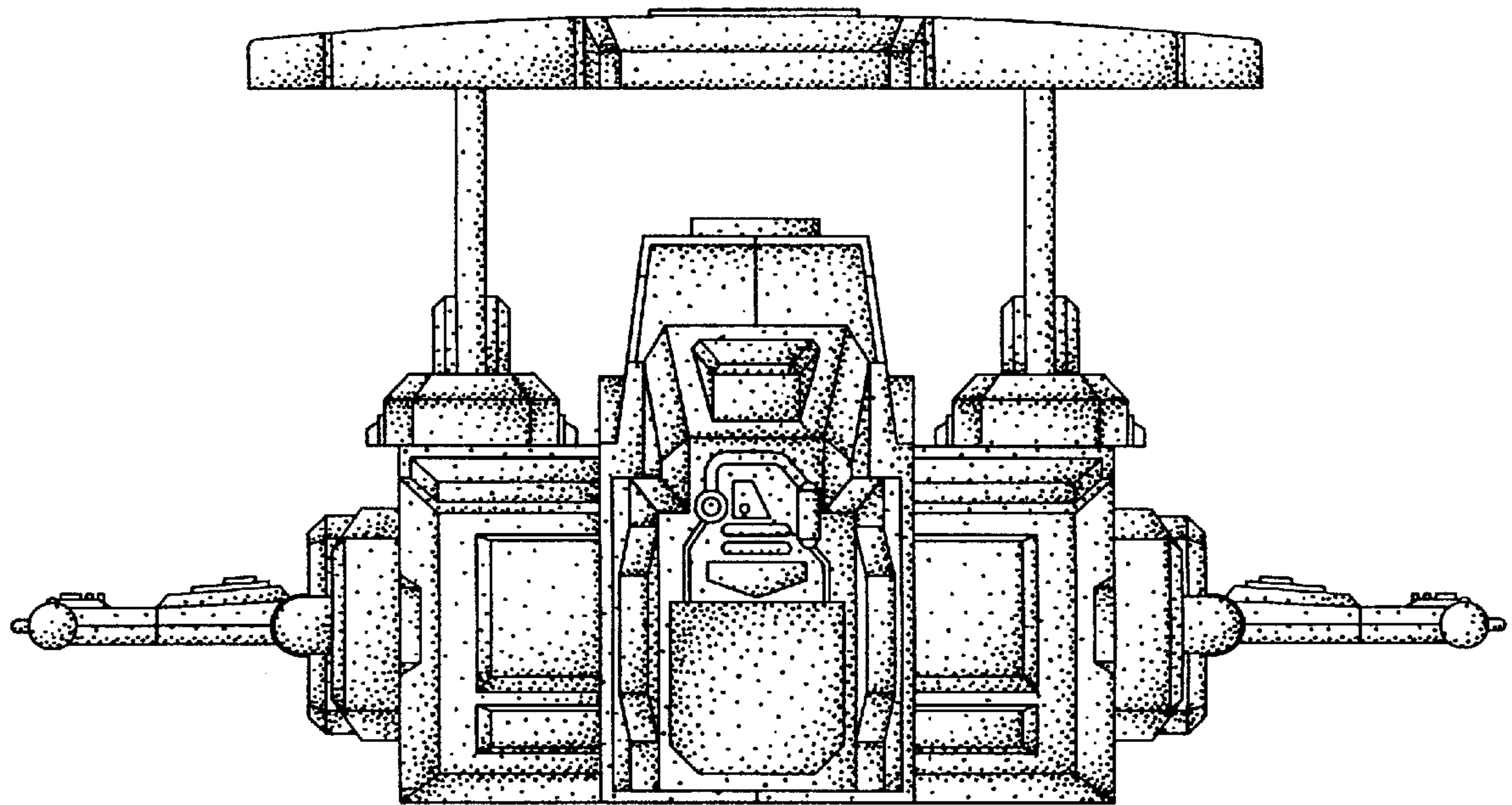


FIG. 6