



US00D422648S

# United States Patent [19] Neville

[11] Patent Number: **Des. 422,648**

[45] Date of Patent: **\*\* Apr. 11, 2000**

[54] **SPORTING AND EXERCISING FOOTWEAR**

[75] Inventor: **Denis Neville**, Geneva, Switzerland

[73] Assignee: **Denis Neville S.A.**, Geneva, Switzerland

[\*\*] Term: **14 Years**

[21] Appl. No.: **29/104,524**

[22] Filed: **May 6, 1999**

[51] **LOC (6) Cl.** ..... **21-01**

[52] **U.S. Cl.** ..... **D21/412**

[58] **Field of Search** ..... D2/946; D21/412, D21/413; D8/400, 499; D12/20, 159; 182/137; 472/133; 36/7.8; 482/77

[56] **References Cited**

**U.S. PATENT DOCUMENTS**

D. 29,576	11/1898	Anderson	.....	D21/412
D. 201,372	6/1965	Dobson	.....	D21/412
D. 307,608	5/1990	Shure	.....	D21/413
D. 319,138	8/1991	Hart	.....	D21/413
D. 335,206	5/1993	Hempstead	.....	D21/413

1,638,350	8/1927	Long	.....	36/7.8
3,036,389	5/1962	Wesch	.....	36/7.8
3,377,722	4/1968	Downing	.....	36/7.8
5,205,798	4/1993	Lekhtman	.....	482/77
5,916,071	6/1999	Lee	.....	482/77

*Primary Examiner*—Dominic Simone  
*Attorney, Agent, or Firm*—Goudreau Gage Dubuc & Martineau Walker

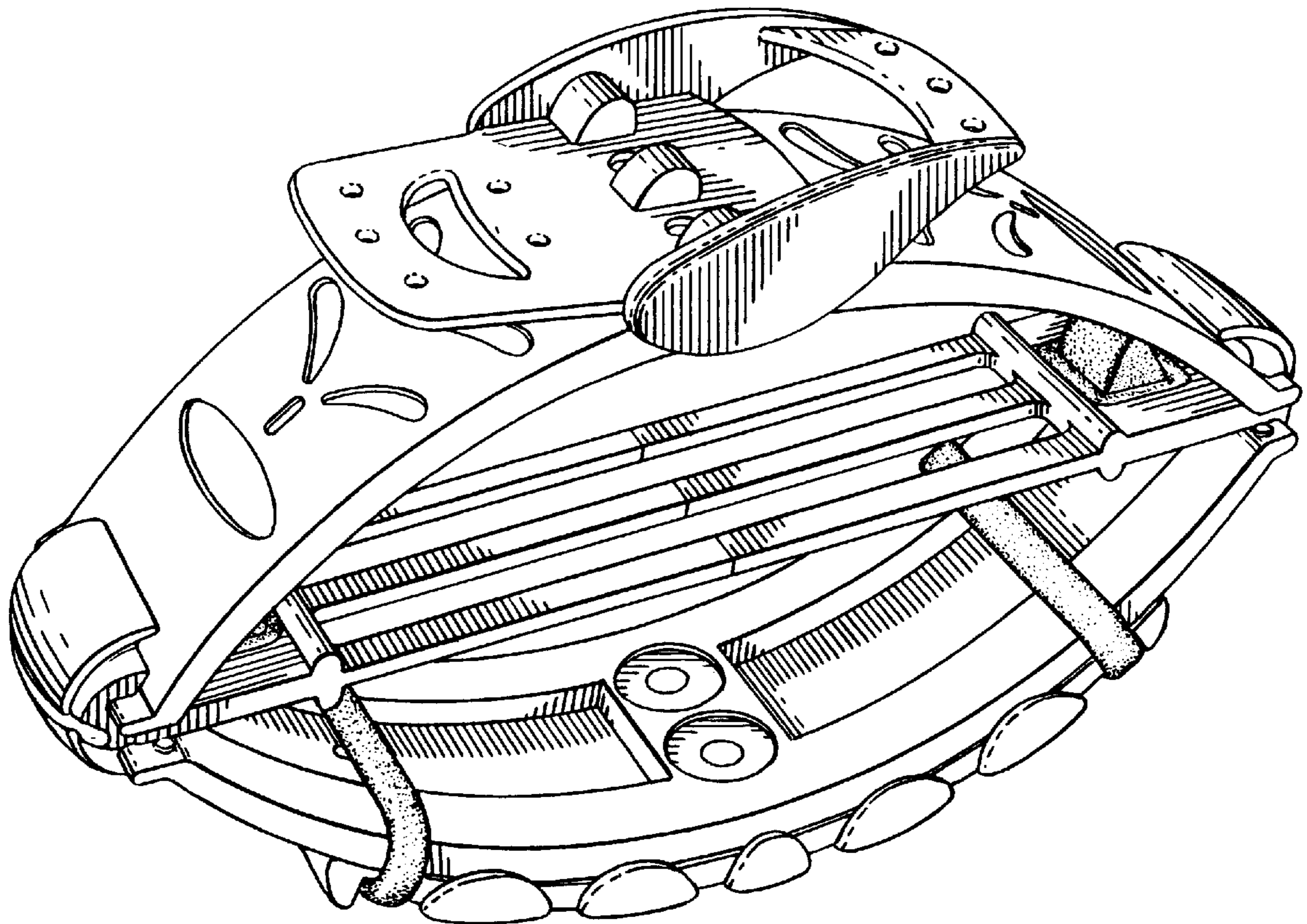
[57] **CLAIM**

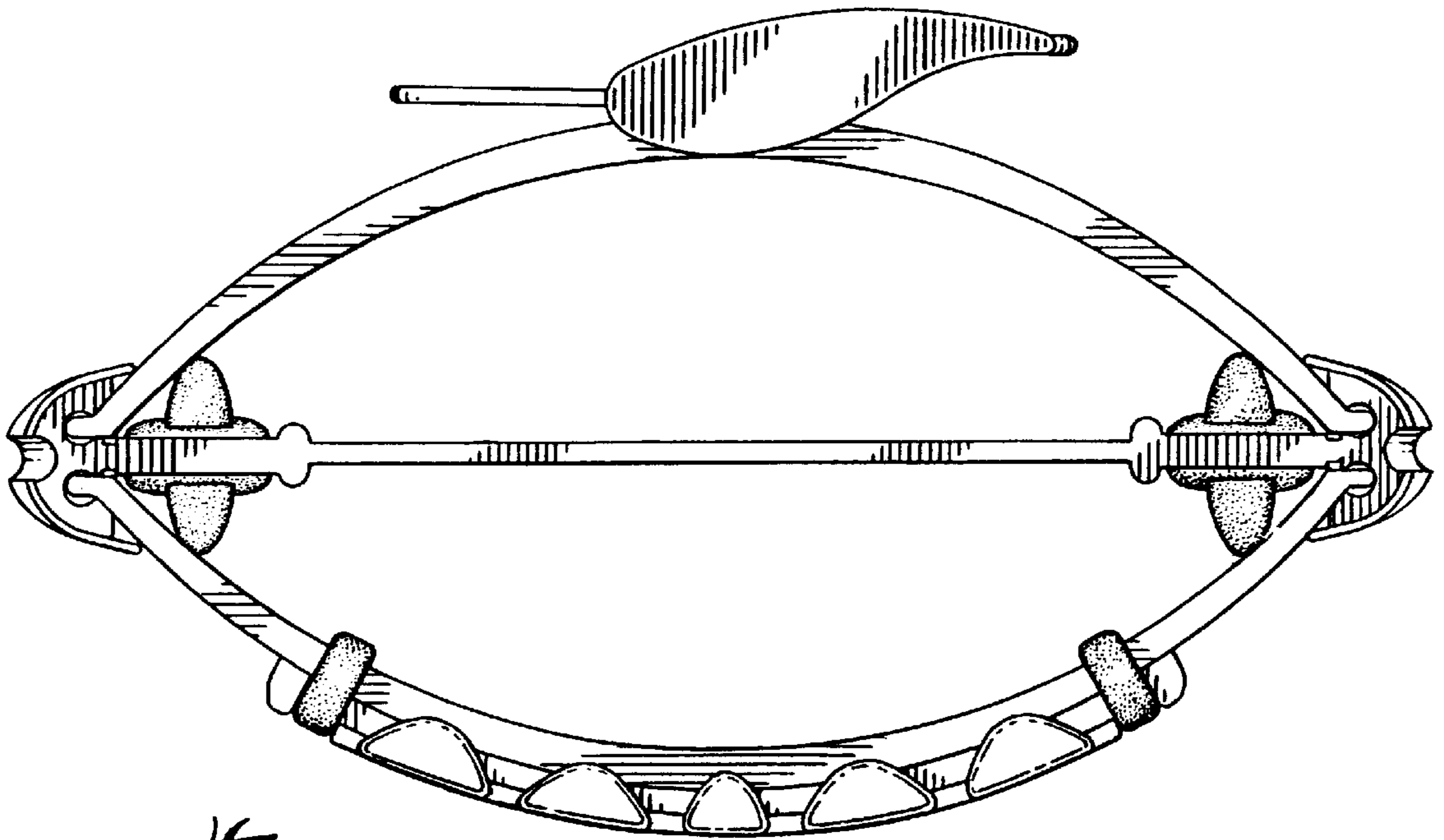
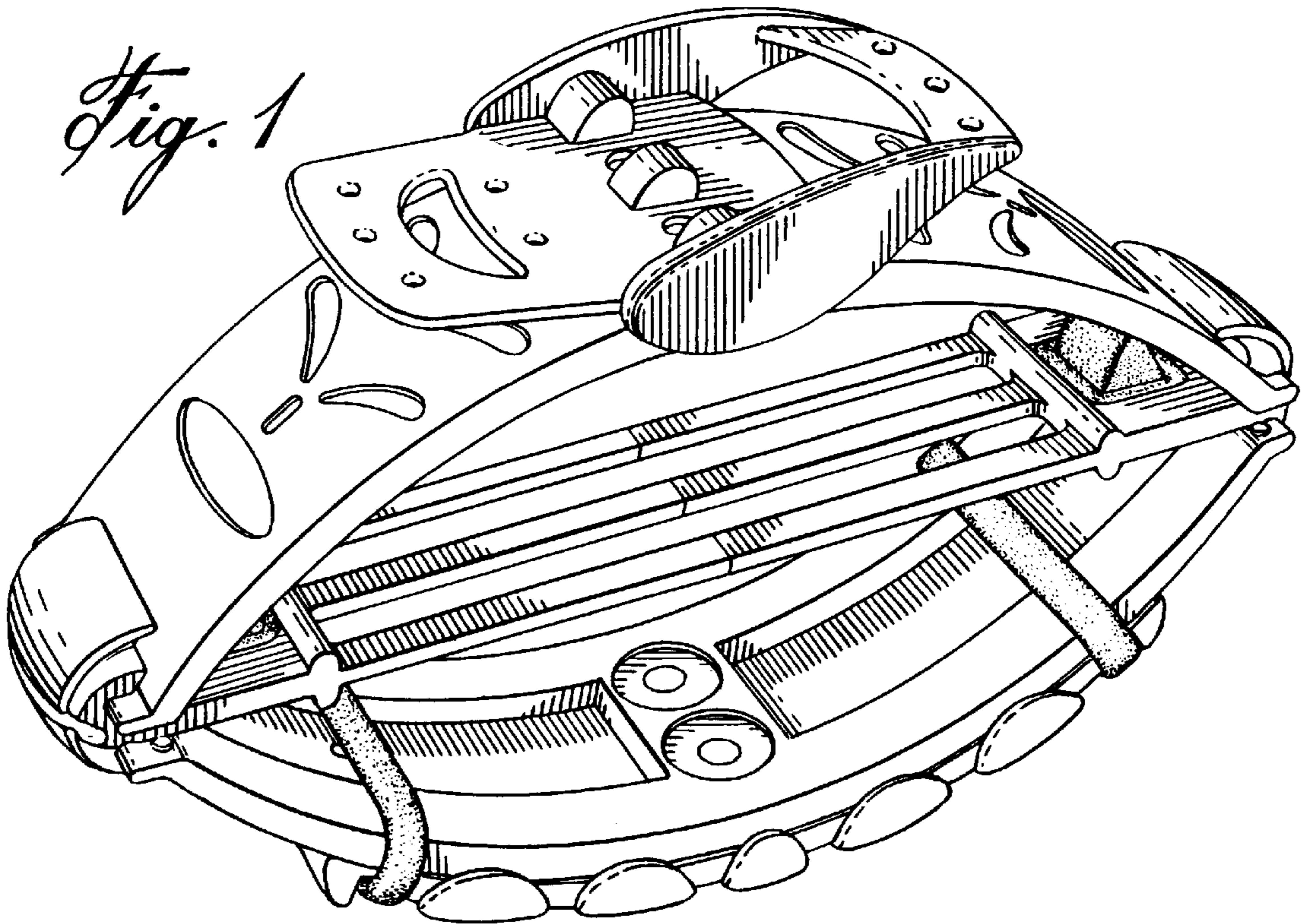
The ornamental design for a sporting and exercising footwear, as shown and described.

**DESCRIPTION**

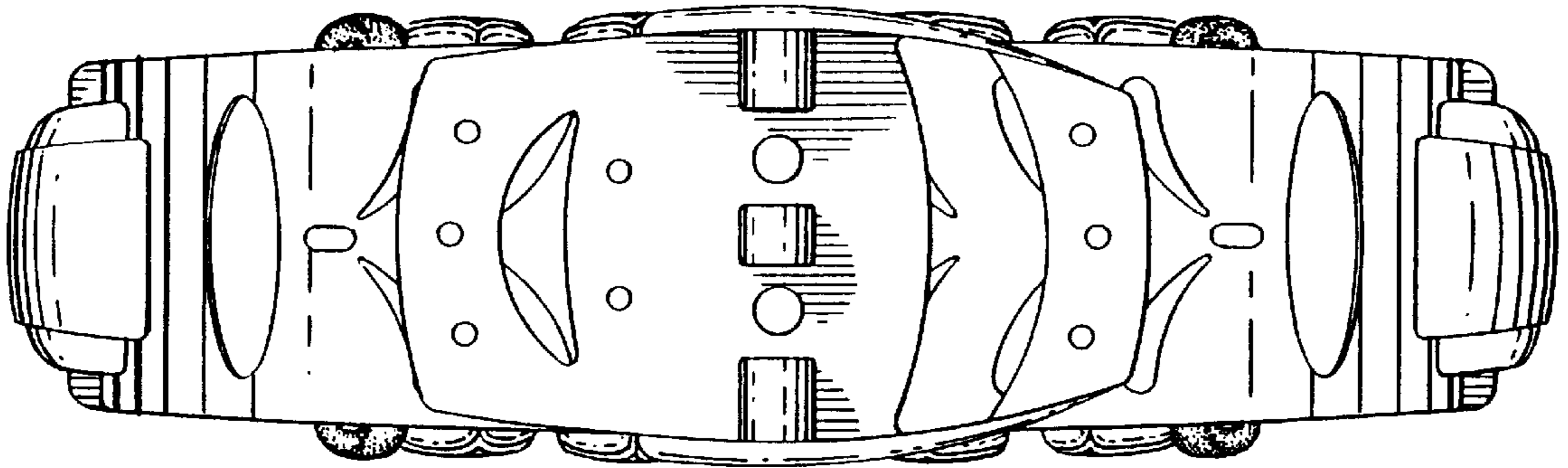
FIG. 1 is a top perspective view of the sporting and exercising footwear showing my new design; FIG. 2 is a left side elevational view thereof, the right side elevational view being a mirror image thereof; FIG. 3 is a top plan view thereof; FIG. 4 is a front view thereof; FIG. 5 is a rear view thereof; and, FIG. 6 is a bottom view thereof.

**1 Claim, 3 Drawing Sheets**

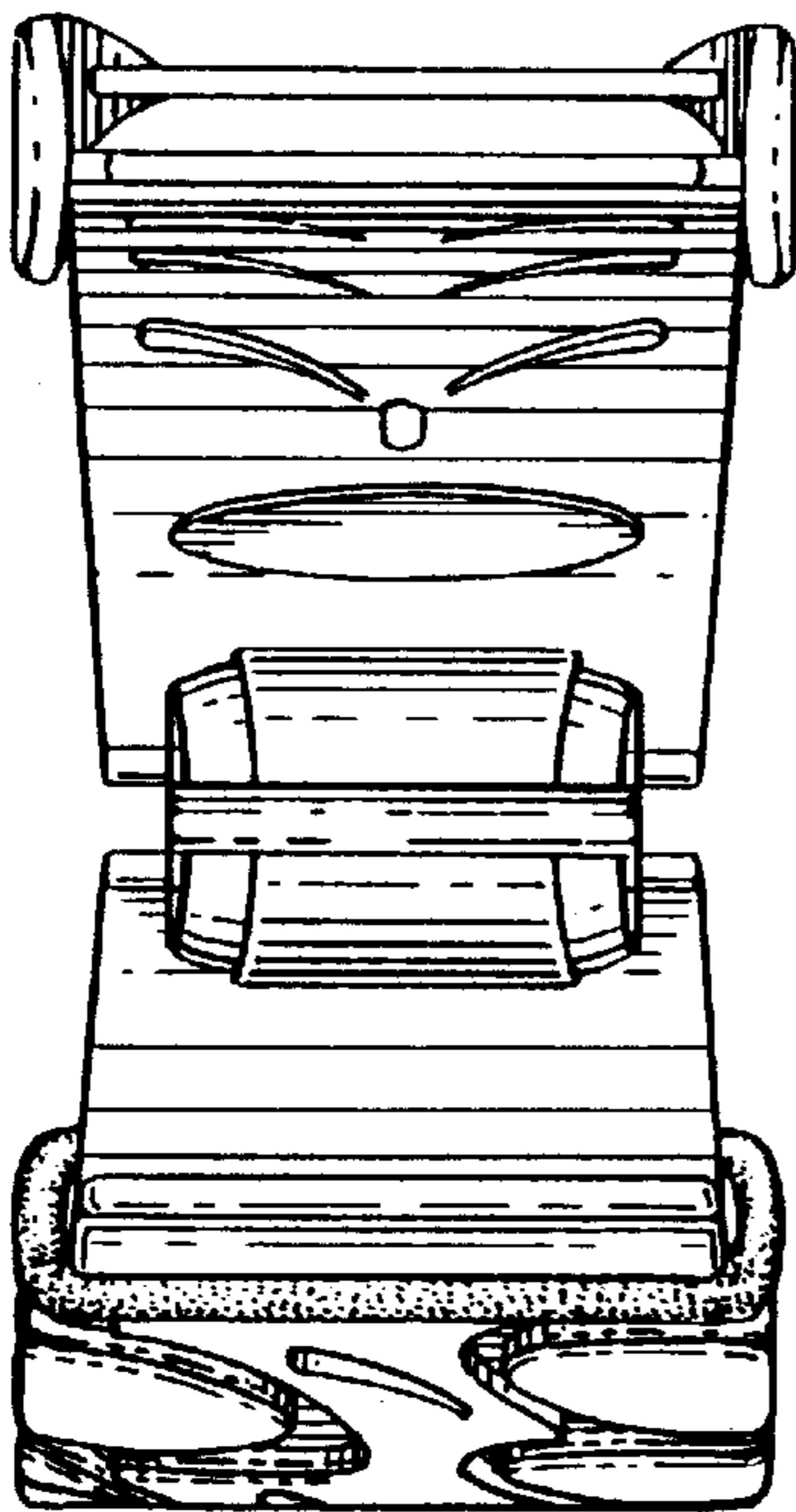




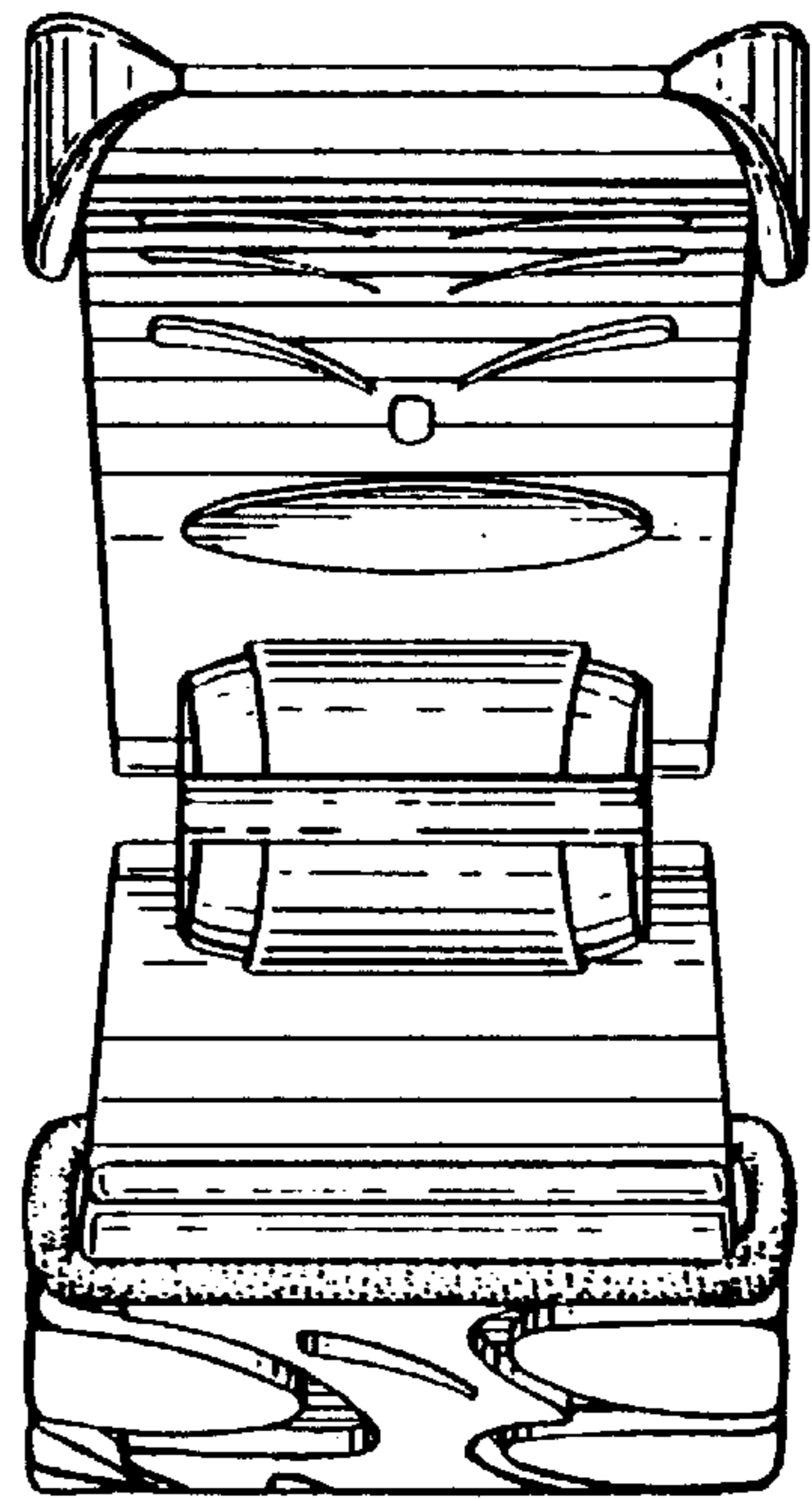
*Fig. 2*



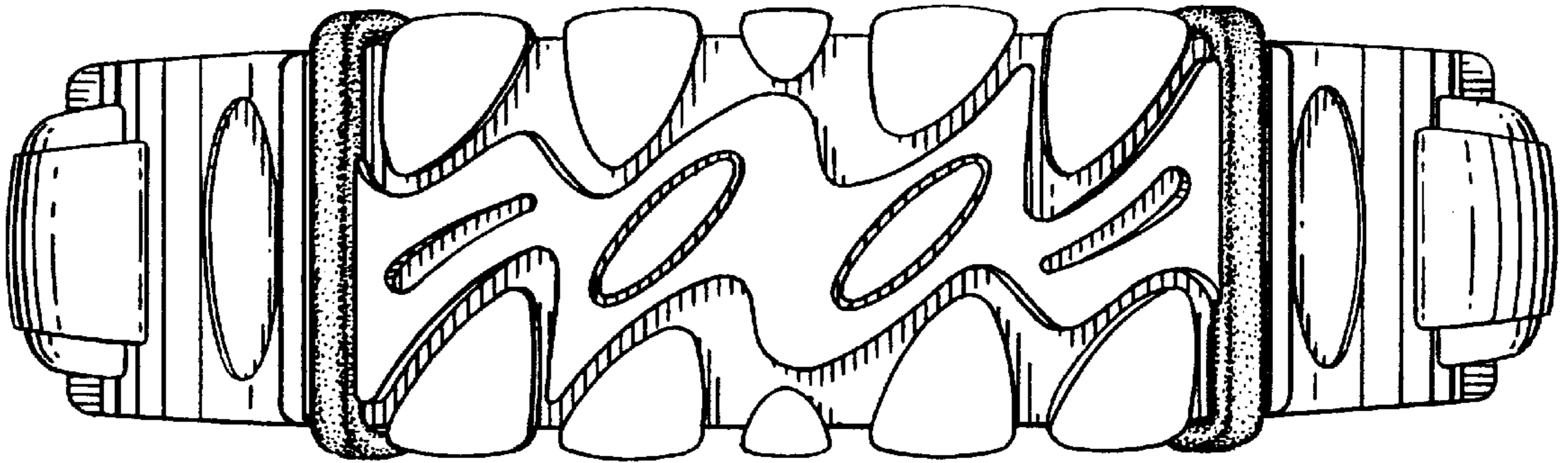
*Fig. 3*



*Fig. 4*



*Fig. 5*



*Fig. 6*