



US00D422636S

United States Patent [19] Smith

[11] Patent Number: Des. 422,636

[45] Date of Patent: ** Apr. 11, 2000

[54] POSTAGE DISPENSER

[76] Inventor: **Martin Smith**, 28971 Modjeska Peak La., Trabuco Canyon, Calif. 92679

[**] Term: **14 Years**

[21] Appl. No.: **29/108,256**

[22] Filed: **Jul. 22, 1999**

[51] LOC (6) Cl. **19-02**

[52] U.S. Cl. **D19/69; D19/67**

[58] Field of Search D19/65, 67, 68, D19/69, 95, 99, 100; 206/39-39.8, 820, 396; 156/576, 577, 527, DIG. 33; 225/41, 54; 221/73, 69, 72

[56] **References Cited**

U.S. PATENT DOCUMENTS

D. 347,243	5/1994	Thomas-Cote et al.	D19/69
D. 397,602	9/1998	Kim	D8/104
490,783	1/1893	Brouwer, Jr. .	
538,771	5/1895	Floyd .	
601,416	3/1898	Harrison .	
1,014,380	1/1912	Davis .	
1,181,375	5/1916	Davis .	
1,563,686	12/1925	Bultman .	
2,847,118	8/1958	Johnson	D19/69 X
3,066,881	12/1962	Krueger	242/55.53
3,184,844	5/1965	Cunningham et al.	31/5

3,222,242	12/1965	Ingalls et al.	156/584
3,283,886	11/1966	Addis et al.	206/52
4,111,333	9/1978	Norgaard	221/73
4,344,813	8/1982	Holoff et al.	156/527
4,382,510	5/1983	Gaffney	206/396
4,570,868	2/1986	Wiggs et al.	242/55
4,576,311	3/1986	Horton et al.	221/73
4,770,322	9/1988	Slota et al.	221/240
4,868,942	9/1989	Kim et al.	7/164
4,954,210	9/1990	Desmond	156/584
5,851,347	12/1998	Rodriguez	156/576
5,863,384	1/1999	Reddy	156/576

Primary Examiner—Martie K. Holtje
Attorney, Agent, or Firm—Eric Karich

[57] **CLAIM**

The ornamental design for a postage dispenser, as shown and described.

DESCRIPTION

FIG. 1 is a perspective view of a postage dispenser, showing my new design;
FIG. 2 is a right side elevation view thereof;
FIG. 3 is a left side elevation view thereof;
FIG. 4 is a front elevational view thereof;
FIG. 5 is a rear elevational view thereof;
FIG. 6 is a top plan view thereof; and,
FIG. 7 is a bottom plan view thereof.

1 Claim, 3 Drawing Sheets

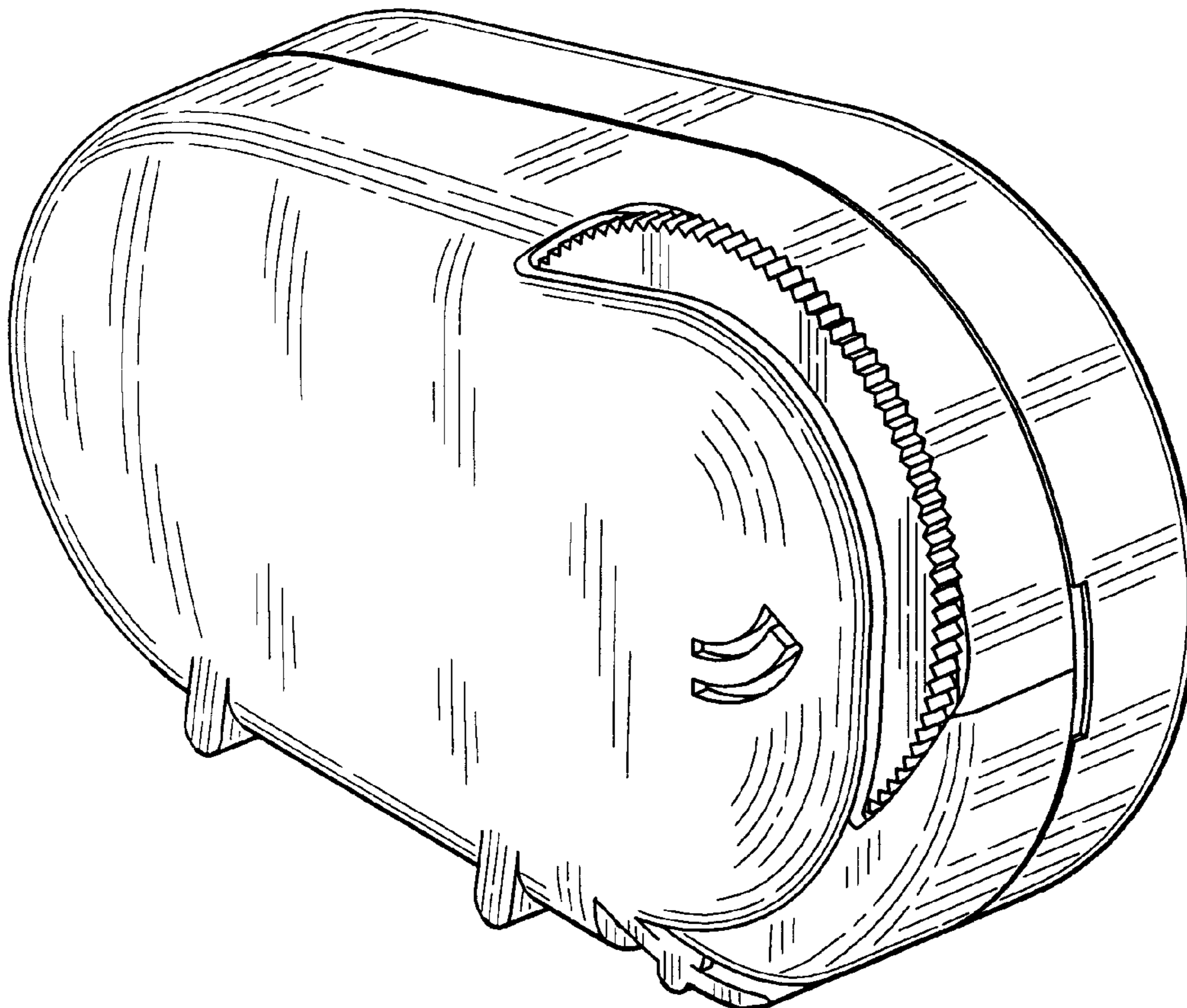


Fig. 1

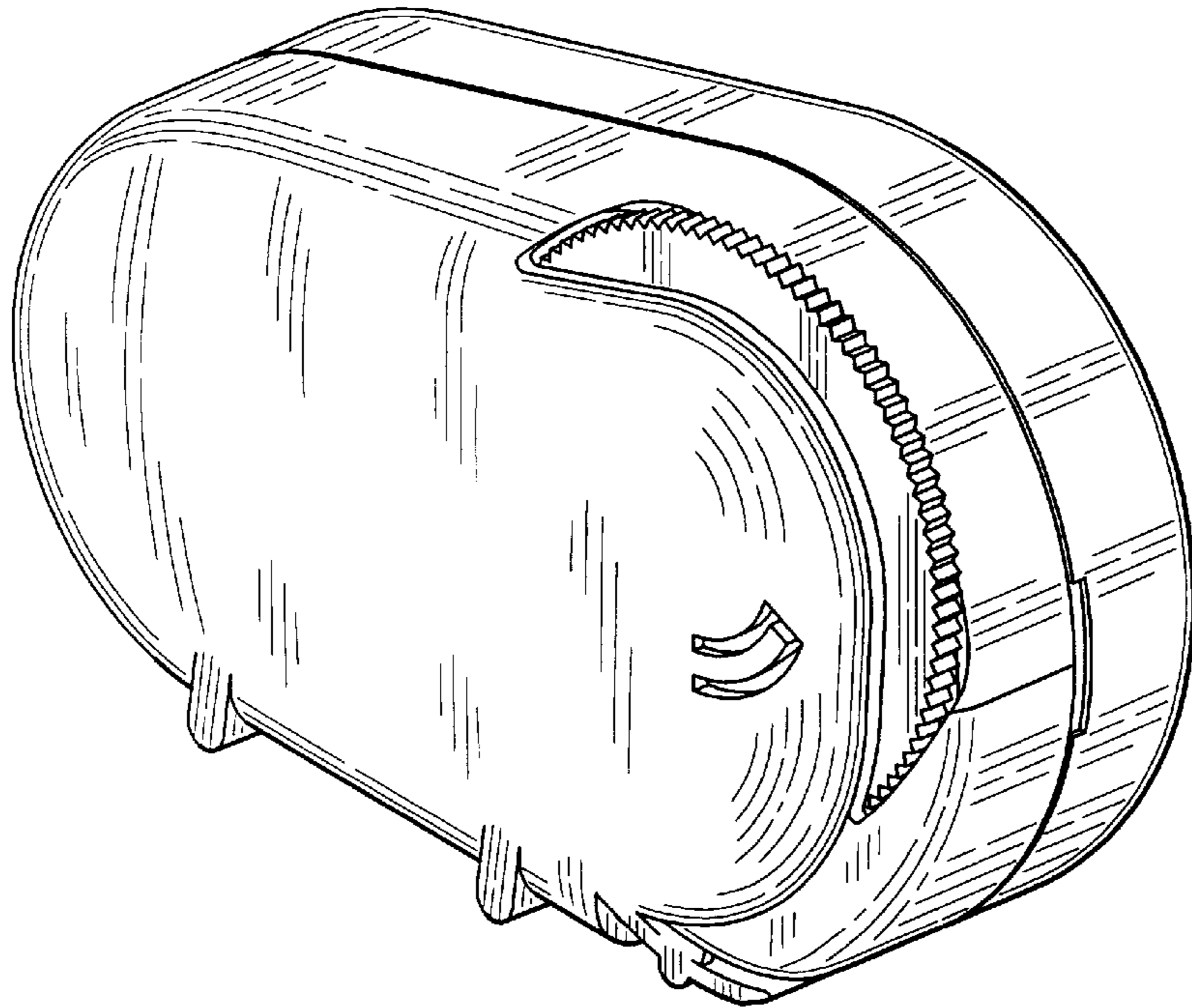


Fig. 2

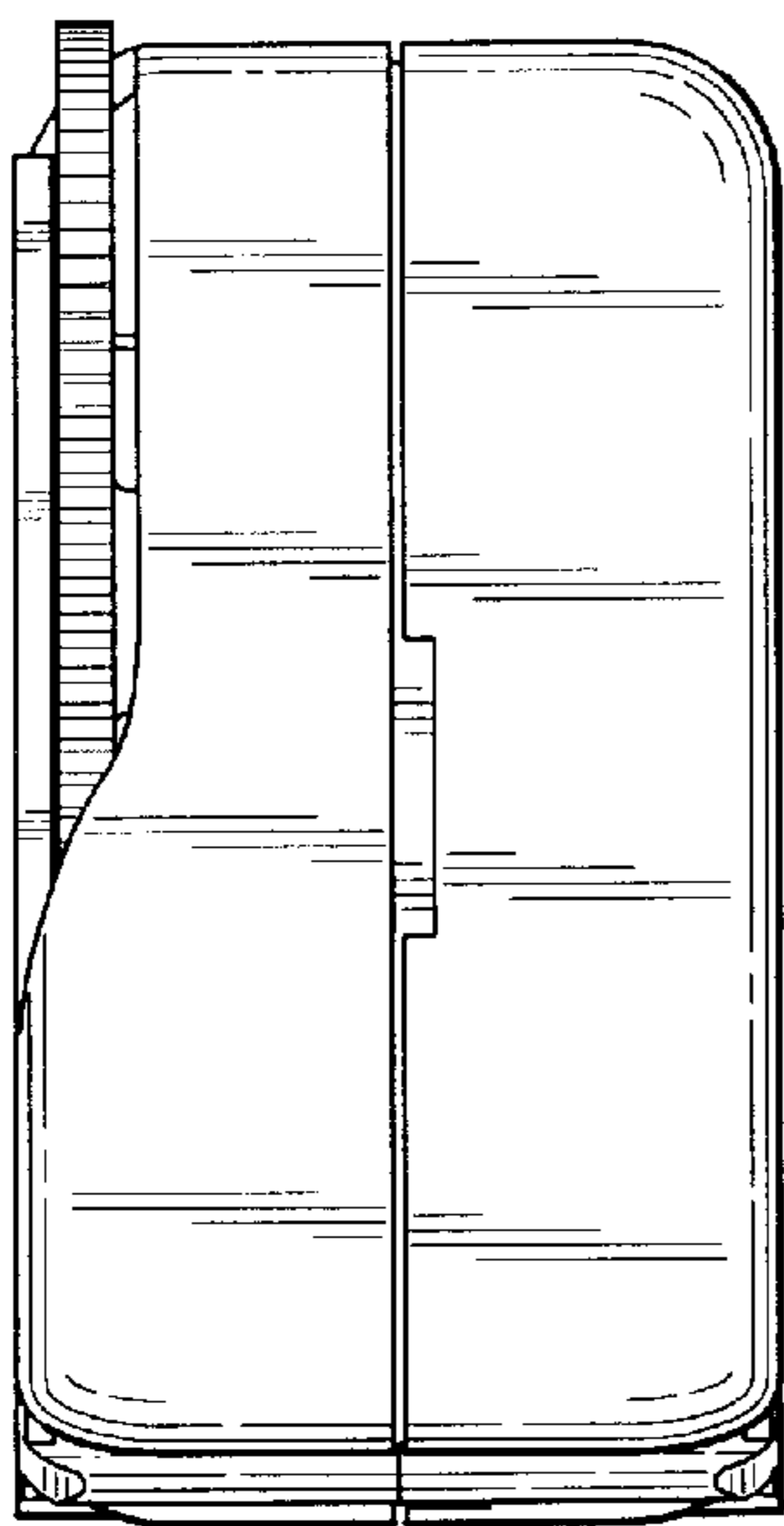


Fig. 3

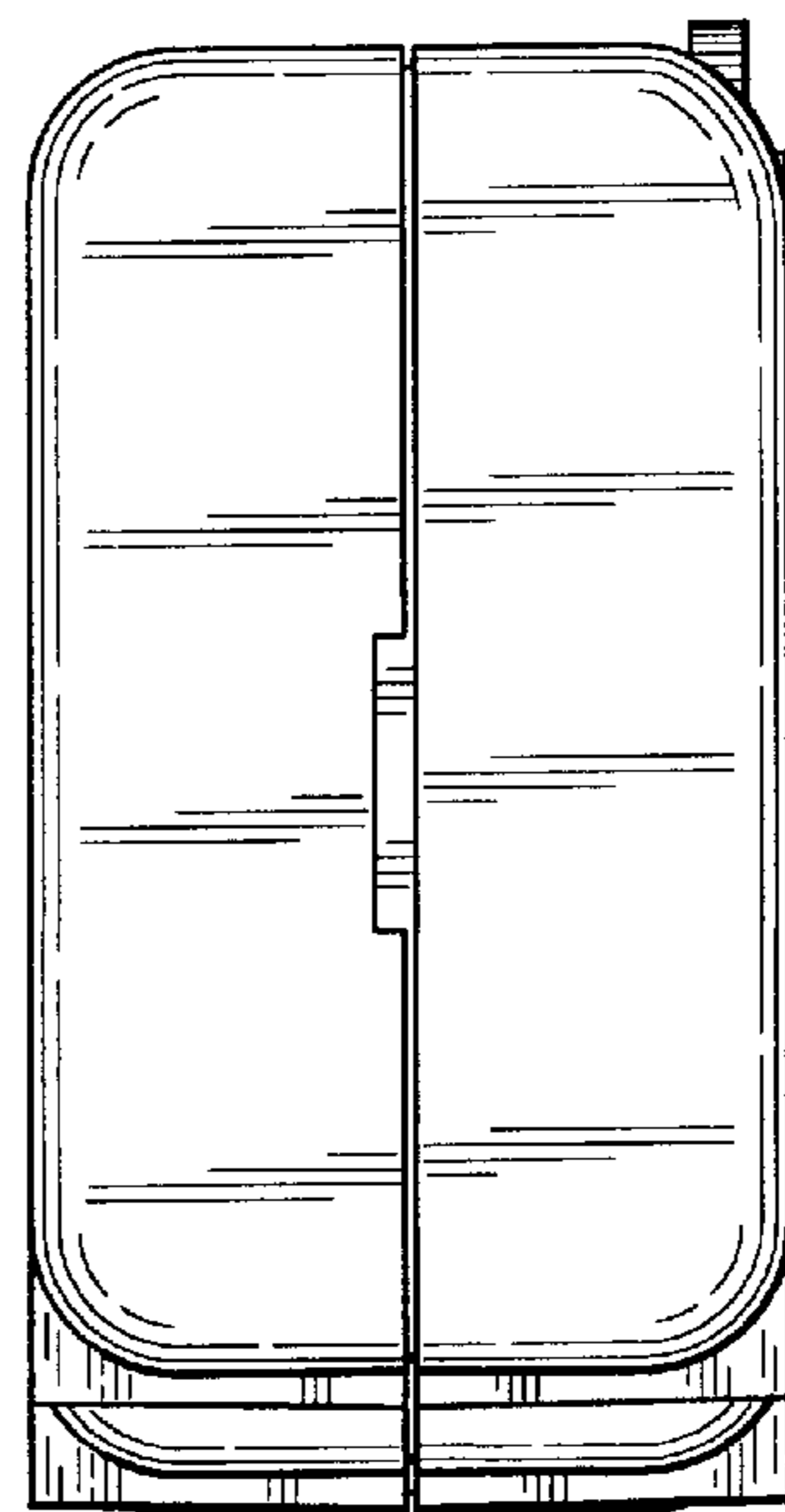


Fig. 4

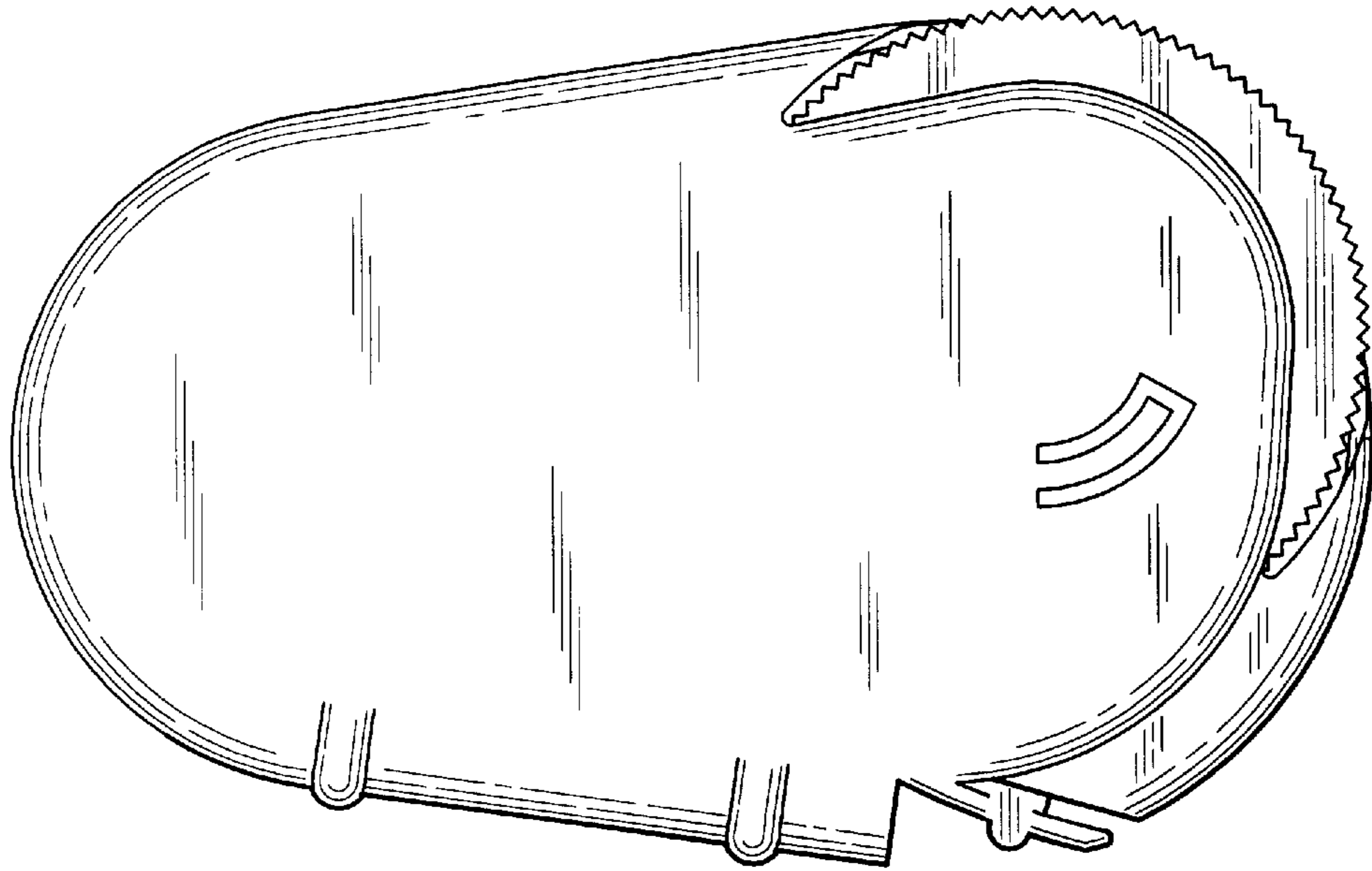


Fig. 5

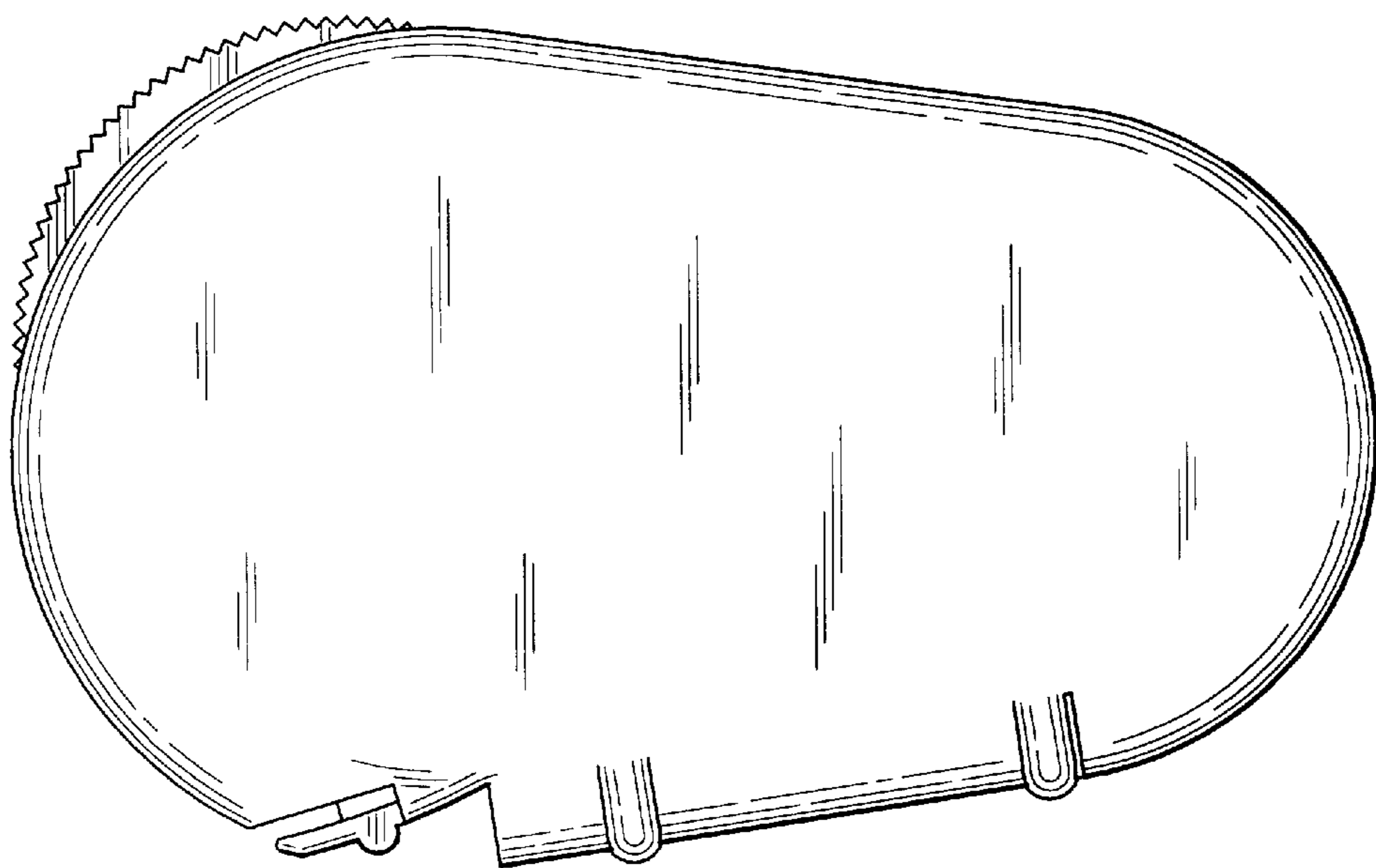


Fig. 6

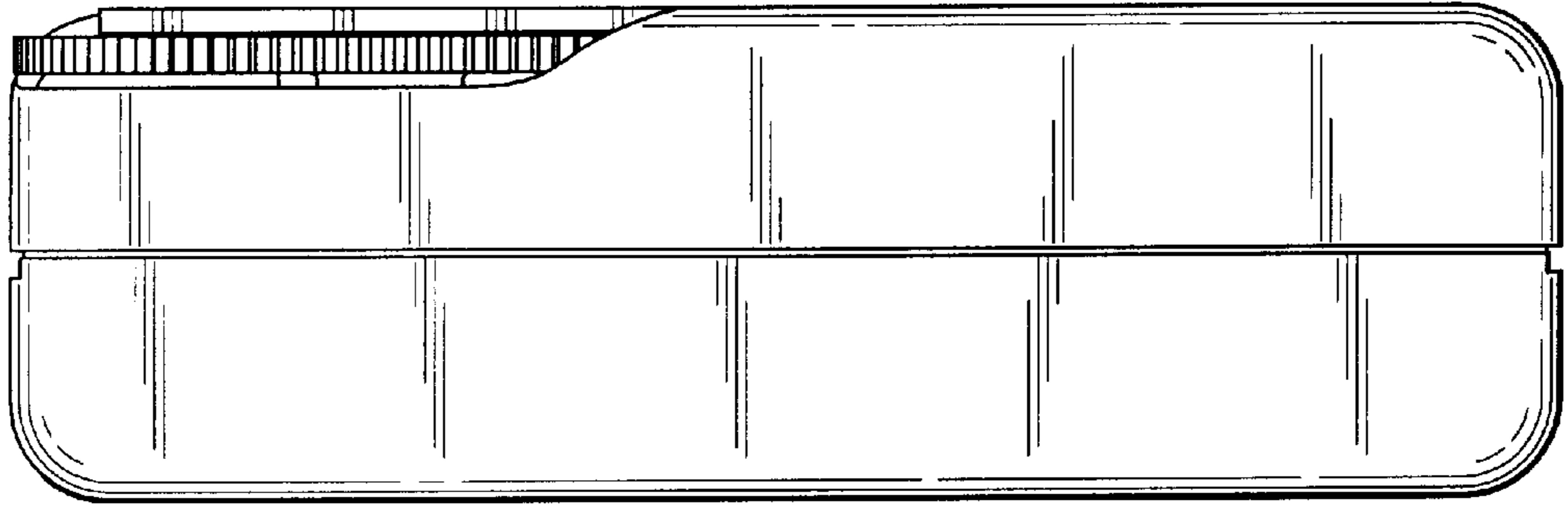


Fig. 7

