



US00D422633S

United States Patent [19]

Koehneke et al.

[11] Patent Number: Des. 422,633

[45] Date of Patent: ** Apr. 11, 2000

[54] SET OF INDEX TAB INDEX TAB FILE CARDS

[75] Inventors: Mark S. Koehneke, Milwaukee; Rob A. Eddy, Madison; Alan D. Bengtson, Shorewood, all of Wis.

[73] Assignee: Newell Office Products, Inc., Madison, Wis.

[**] Term: 14 Years

[21] Appl. No.: 29/095,969

[22] Filed: Nov. 2, 1998

[51] LOC (6) Cl. 19-01

[52] U.S. Cl. D19/1; D19/33; D19/99; D19/76

[58] Field of Search D19/1, 2, 9, 10, D19/33, 65, 99, 100, 76; 229/92.8; 283/36, 39, 41; 40/359, 124.01, 371-379, 380, 384; 312/183, 189

[56] References Cited

U.S. PATENT DOCUMENTS

- D. 250,200 11/1978 Glaubinger D19/1
- D. 258,897 4/1981 Glaubinger D19/1
- 3,261,649 7/1966 Erickson et al. 312/189

- 4,572,547 2/1986 Phillips 312/183
- 4,849,056 7/1989 Ristuccia, Sr. 402/79
- 4,954,003 9/1990 Shea 402/79
- 5,503,488 4/1996 Chinchar 402/79

Primary Examiner—Martie K. Holtje
Attorney, Agent, or Firm—Foley & Lardner

[57] CLAIM

We claim the ornamental design for a set of index tab file cards, as shown and described.

DESCRIPTION

FIG. 1 is a front elevational view of one of a set of index tab file cards showing our new design, with the index tab on the left;

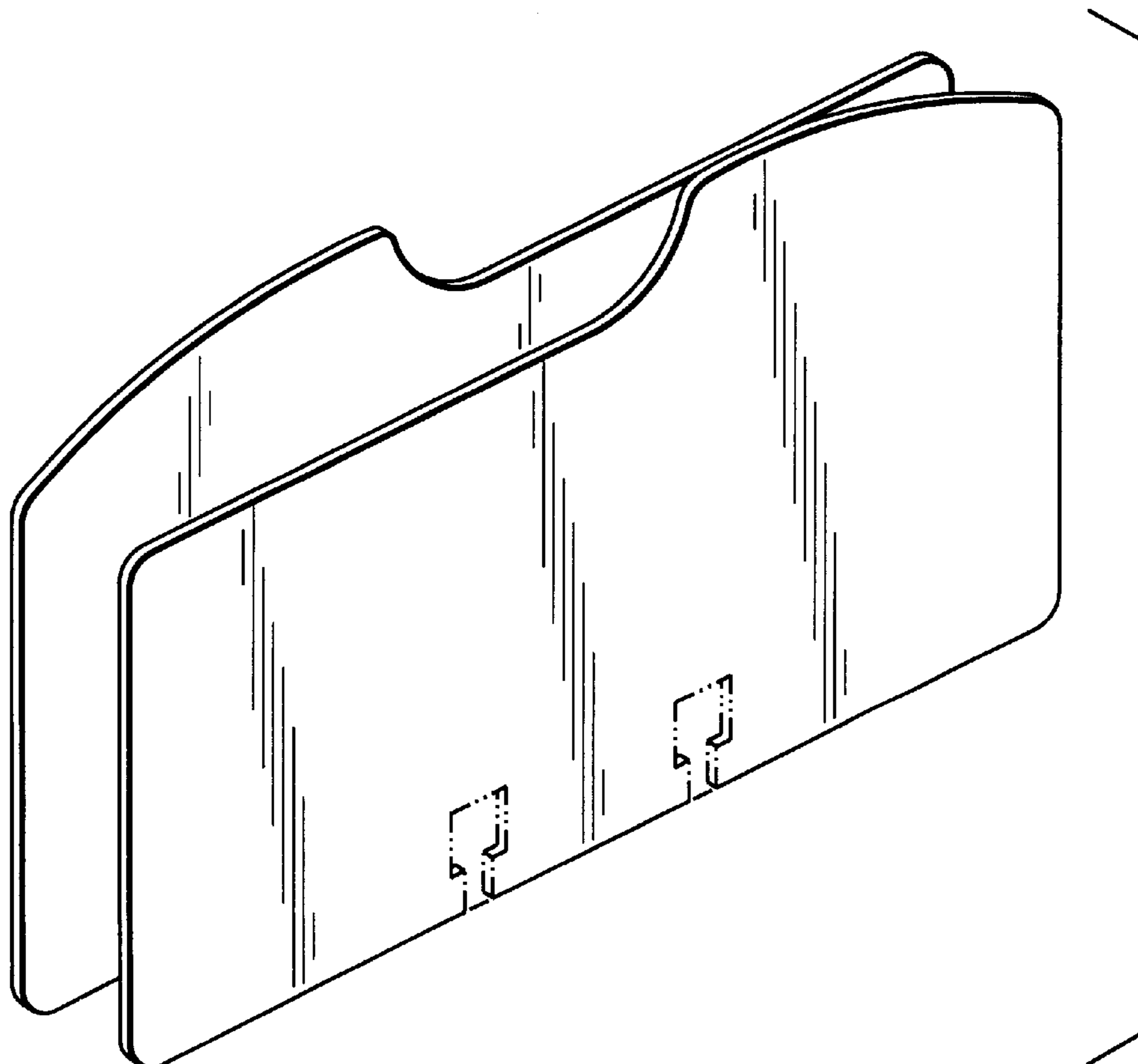
FIG. 2 is a front elevational view of the second of a set of index tab file cards;

FIG. 3 is a front elevational view of the set of index tab file cards; and,

FIG. 4 is a front perspective view of FIG. 3.

The undisclosed rear of each of the cards is plain and unornamented. The rail openings depicted by means of broken lines in FIGS. 1 through 4 have been shown for illustrative purposes only and form no part of the claimed design.

1 Claim, 1 Drawing Sheet



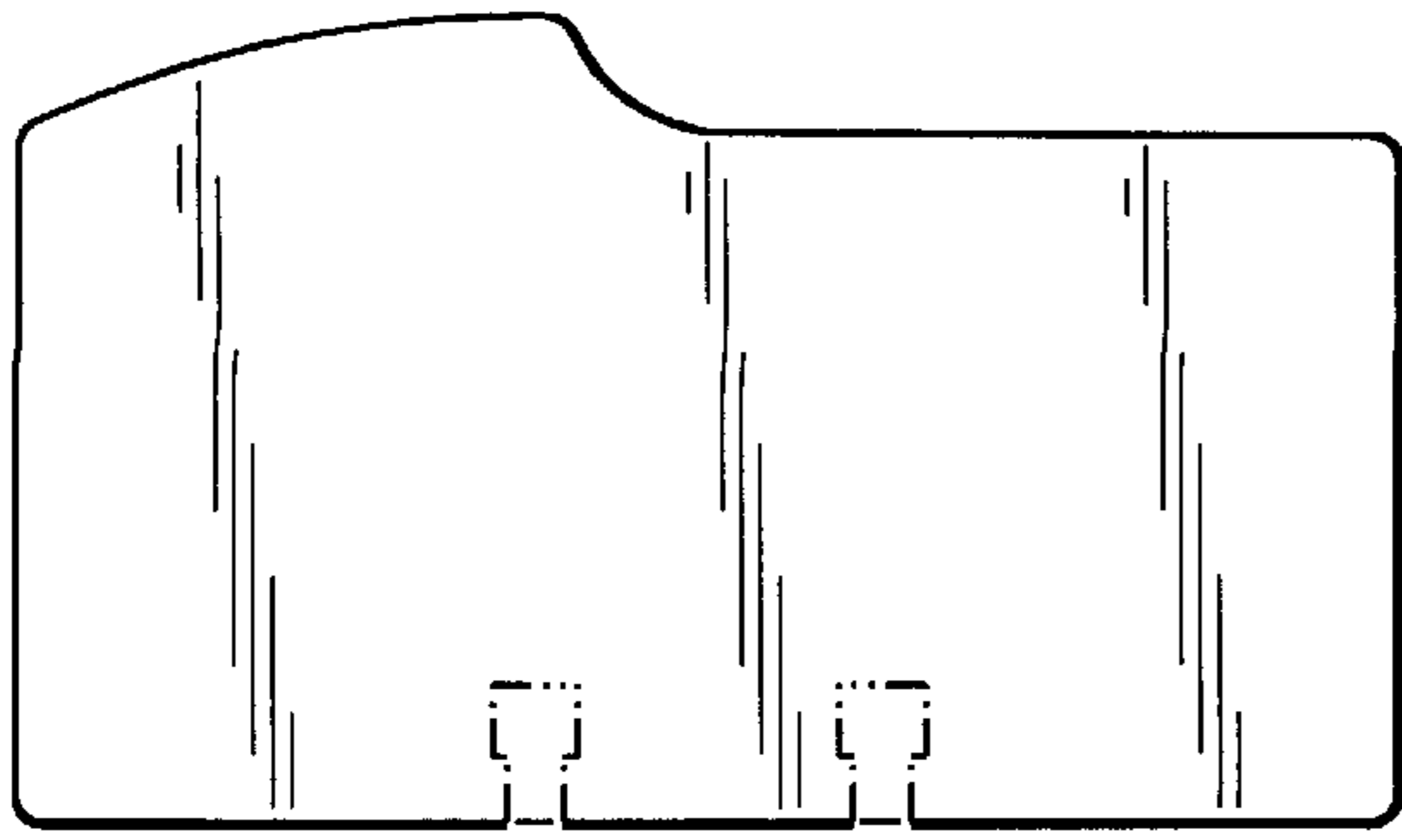


FIG. 1

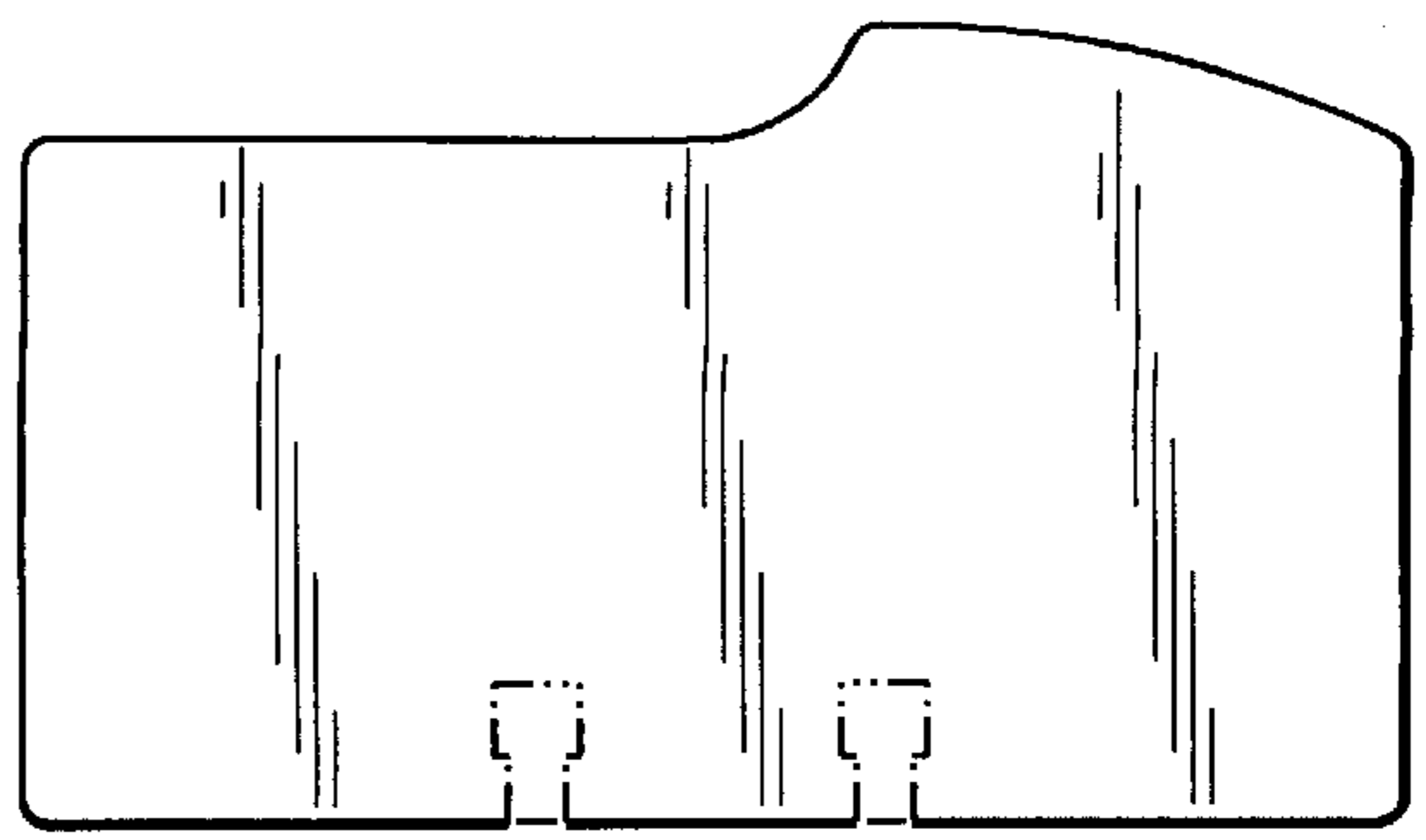


FIG. 2

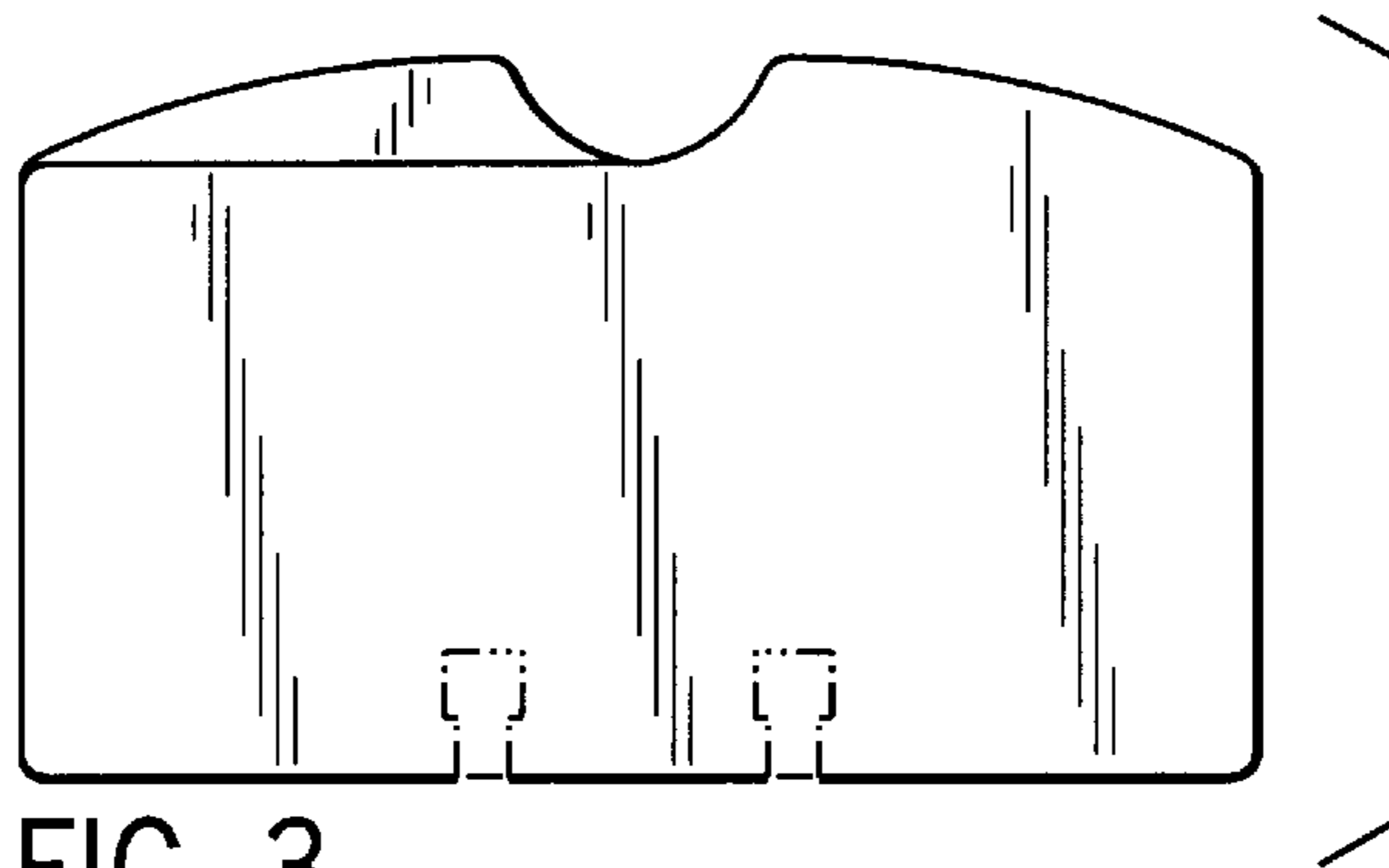


FIG. 3

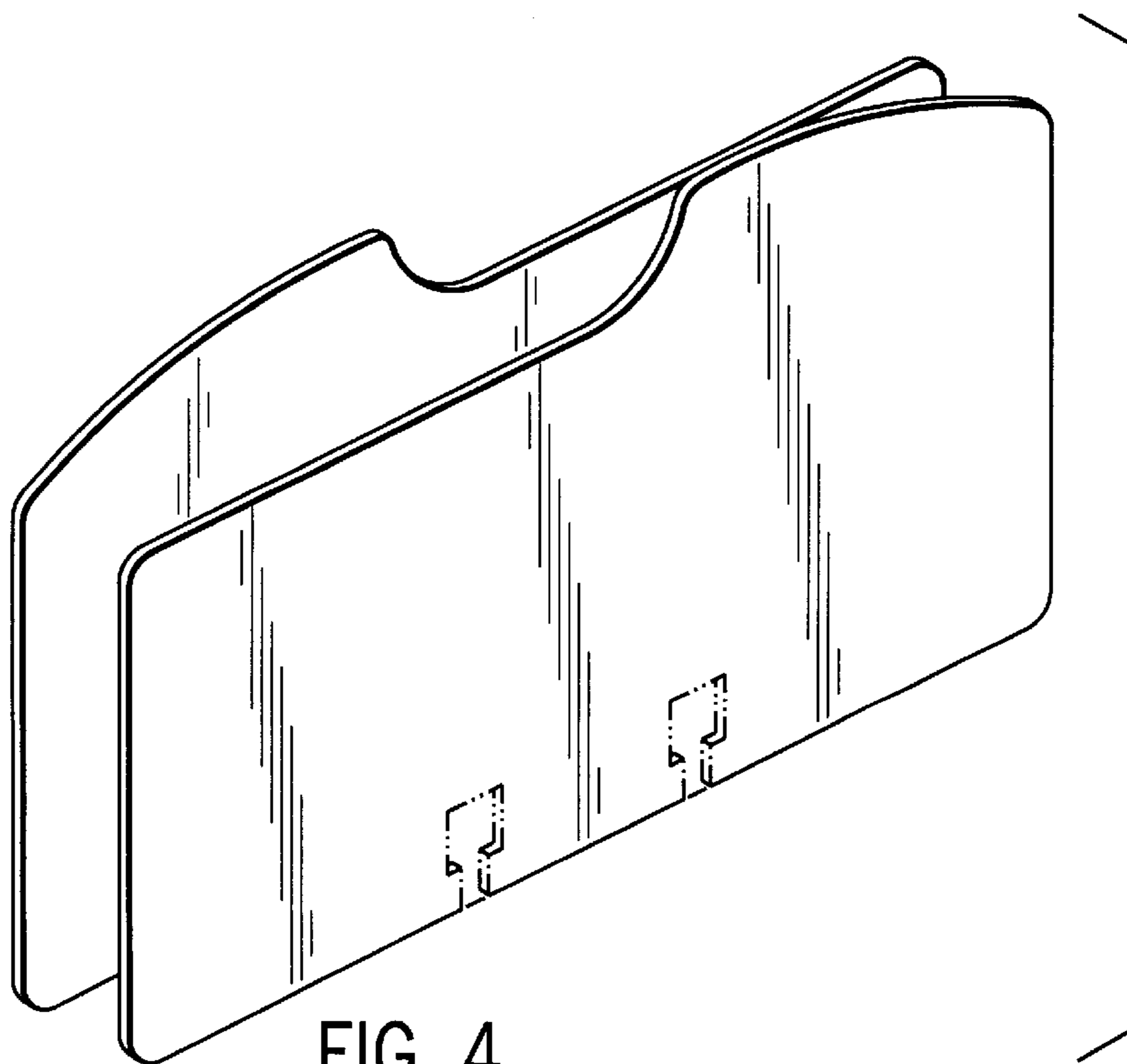


FIG. 4