



US00D422632S

United States Patent [19]

Chung et al.

[11] Patent Number: Des. 422,632

[45] Date of Patent: ** Apr. 11, 2000

[54] INK CARTRIDGE REFILL CASE

[75] Inventors: Kwang Choon Chung, Seoul; Young Ho Chung, Kyungii-do; Chang Soo Yu, Suwon; Nam Bu Cho; Ju Yeon Lee, both of Seoul; Ju Jin Choi, Suwon, all of Rep. of Korea

[73] Assignee: Inktec Co., Inc., Rep. of Korea

[**] Term: 14 Years

[21] Appl. No.: 29/093,053

[22] Filed: Sep. 2, 1998

[30] Foreign Application Priority Data

Mar. 5, 1998 [KR] Rep. of Korea 98-3153

[51] LOC (6) Cl. 18-02

[52] U.S. Cl. D18/56; 347/86

[58] Field of Search D18/56, 38-39; 347/86, 87

[56] References Cited

U.S. PATENT DOCUMENTS

- D. 281,078 10/1985 Koizumi et al. D18/56
- D. 287,026 12/1986 Herben D18/56
- D. 392,672 3/1998 Inoue et al. D18/56

- D. 395,669 6/1998 Carlotta et al. D18/56
- D. 395,670 6/1998 Inoue et al. D18/56
- D. 395,916 7/1998 Inoue et al. D18/56
- D. 396,880 8/1998 Wong et al. D18/56
- 5,406,320 4/1995 Durst et al. 347/86
- 5,663,754 9/1997 Lorenze, Jr. et al. 347/87
- 5,883,653 3/1999 Sasaki 347/86

Primary Examiner—Cathy Anne MacCormac
Attorney, Agent, or Firm—Webb Ziesenheim Logsdon Orkin & Hanson P.C.

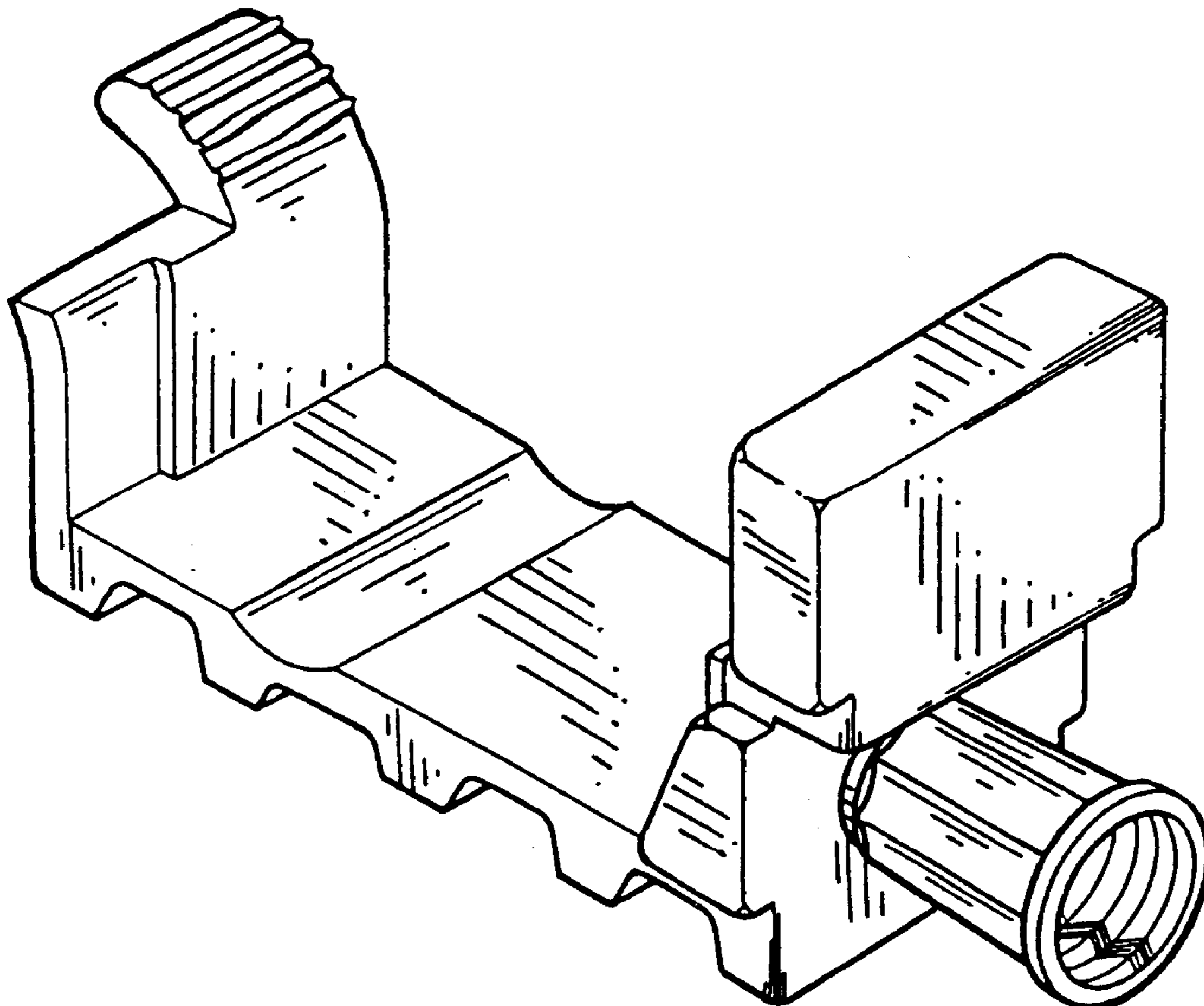
[57] CLAIM

The ornamental design for an ink cartridge refill case, as shown.

DESCRIPTION

FIG. 1 is a perspective view of an ink cartridge refill case showing our new design; FIG. 2 is a front elevational view thereof; FIG. 3 is a rear elevational view thereof; FIG. 4 is a right elevational view thereof; FIG. 5 is a left elevational view thereof; FIG. 6 is a top plan view thereof; FIG. 7 is a bottom plan view thereof; and, FIG. 8 is a cross-sectional view thereof taken along lines 8—8 of FIG. 6.

1 Claim, 3 Drawing Sheets



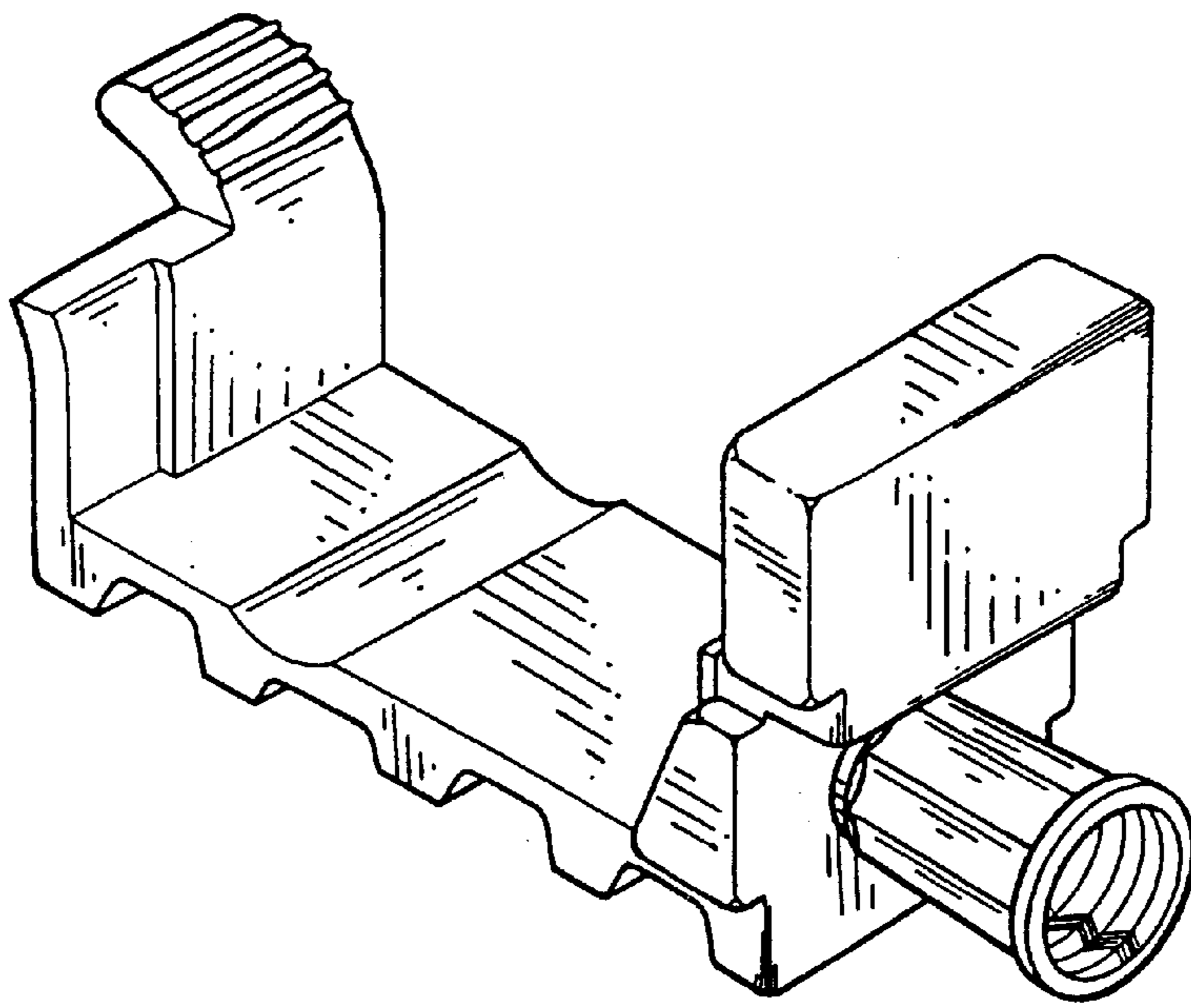


Fig. 1

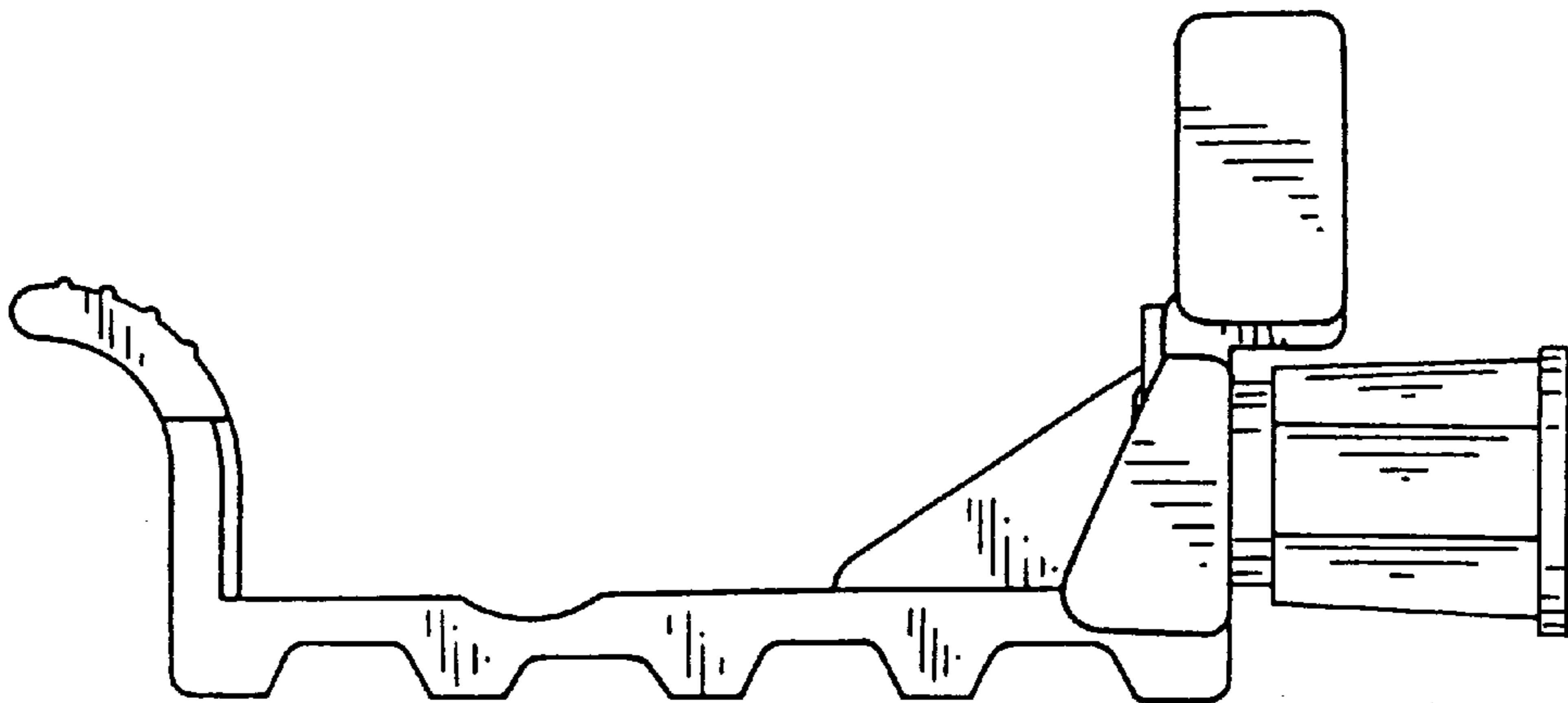


Fig. 2

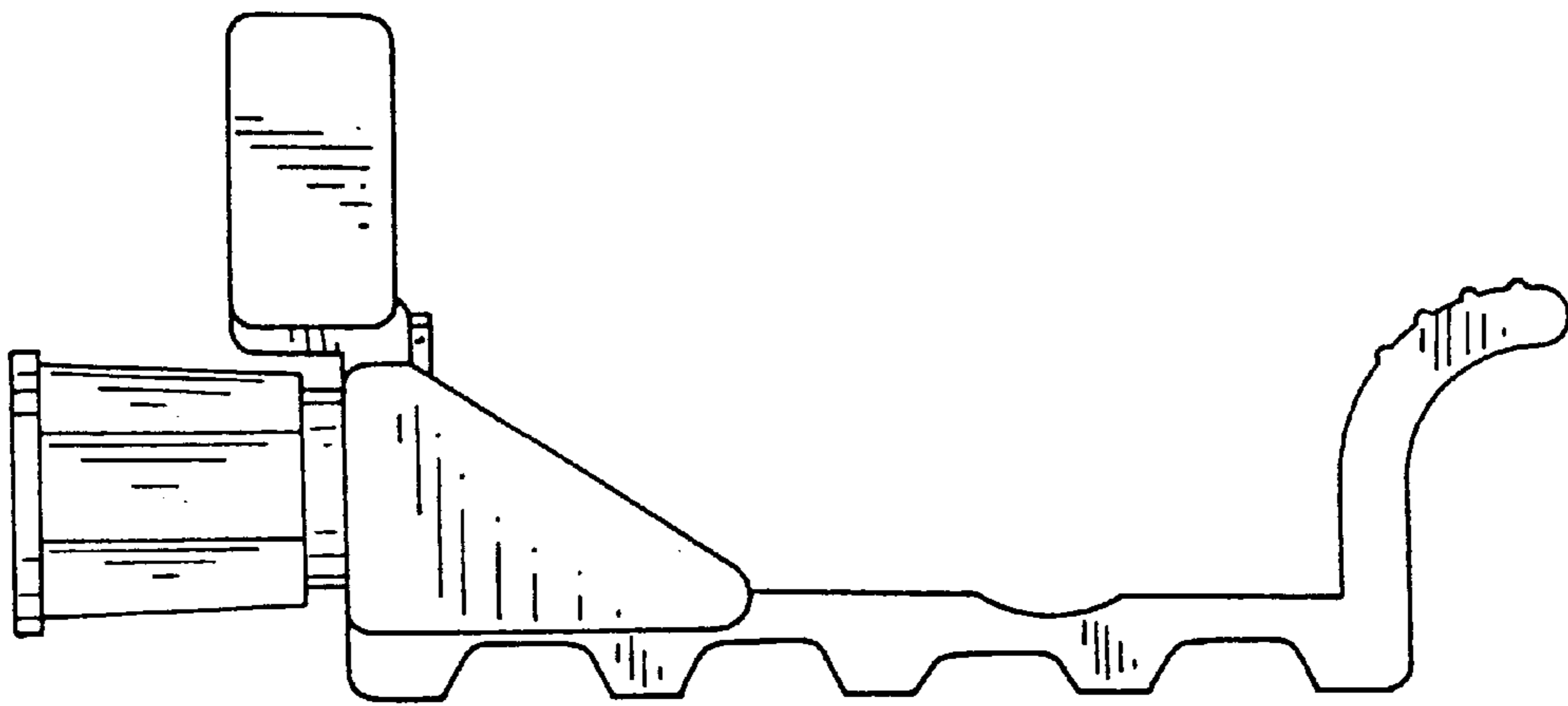


Fig. 3

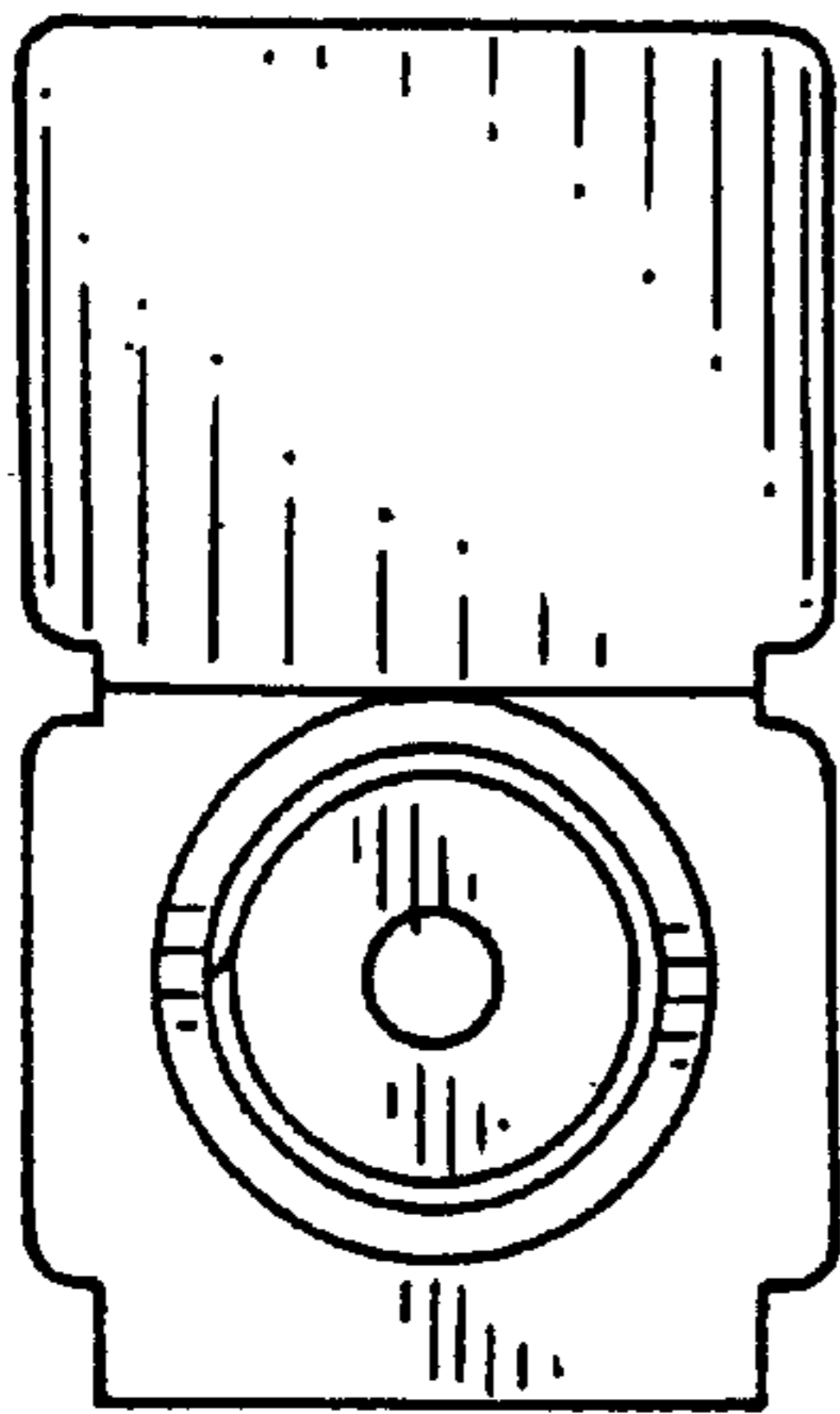


Fig. 4

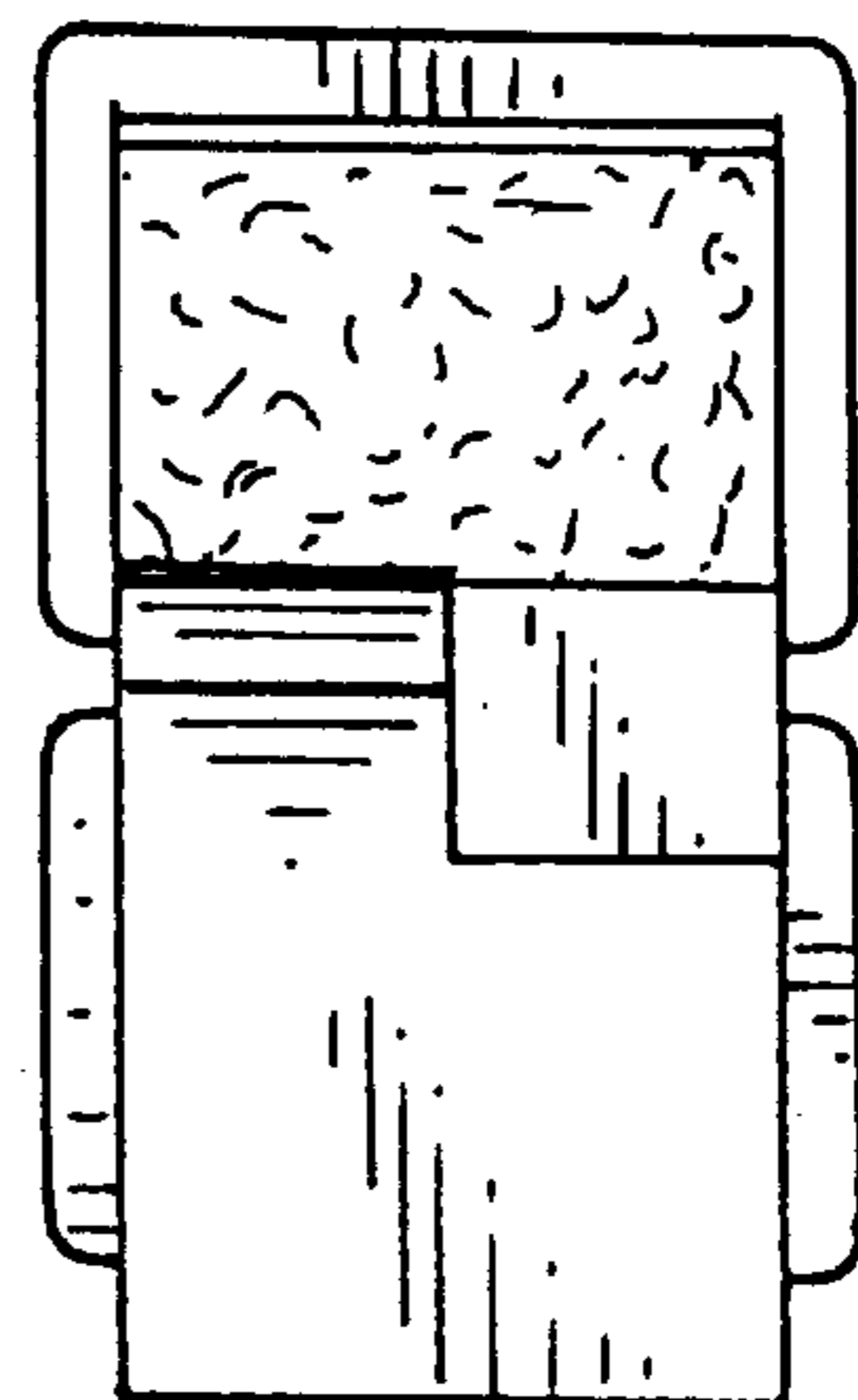


Fig. 5

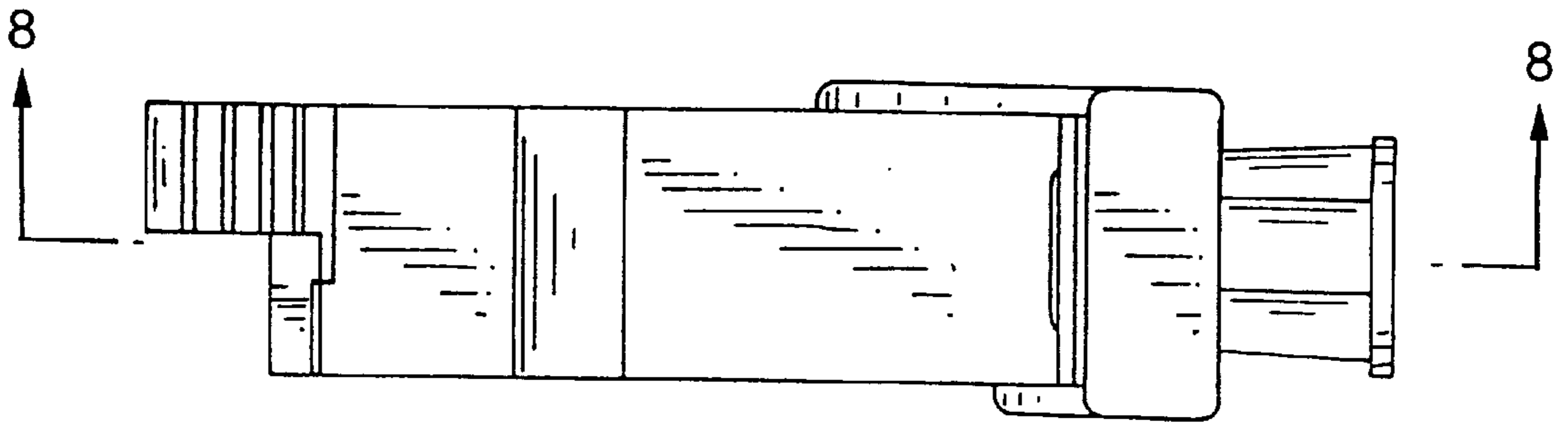


Fig. 6

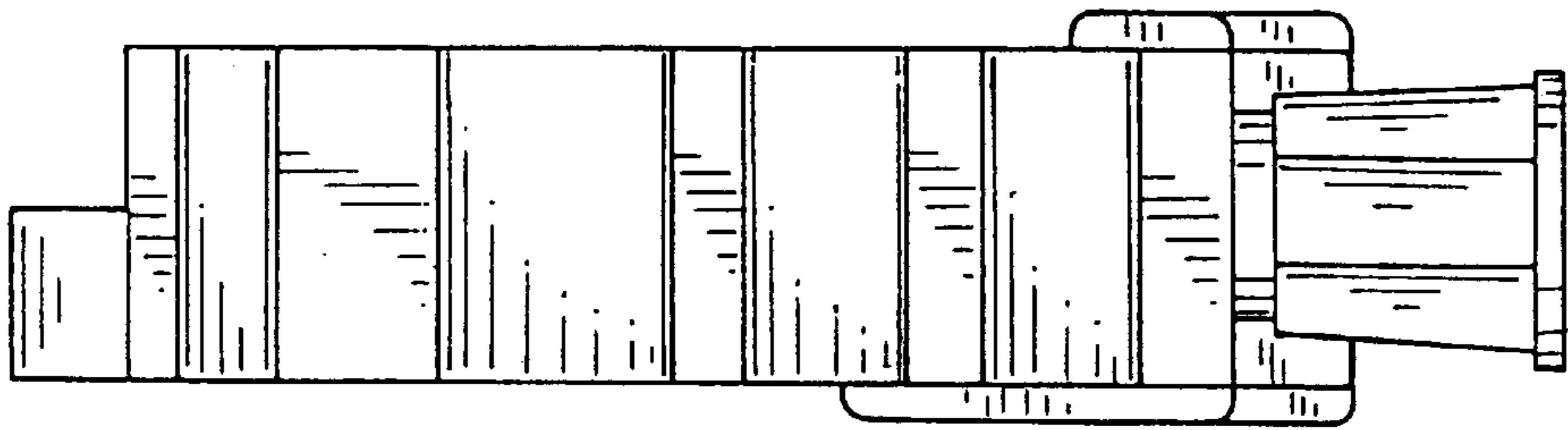


Fig. 7

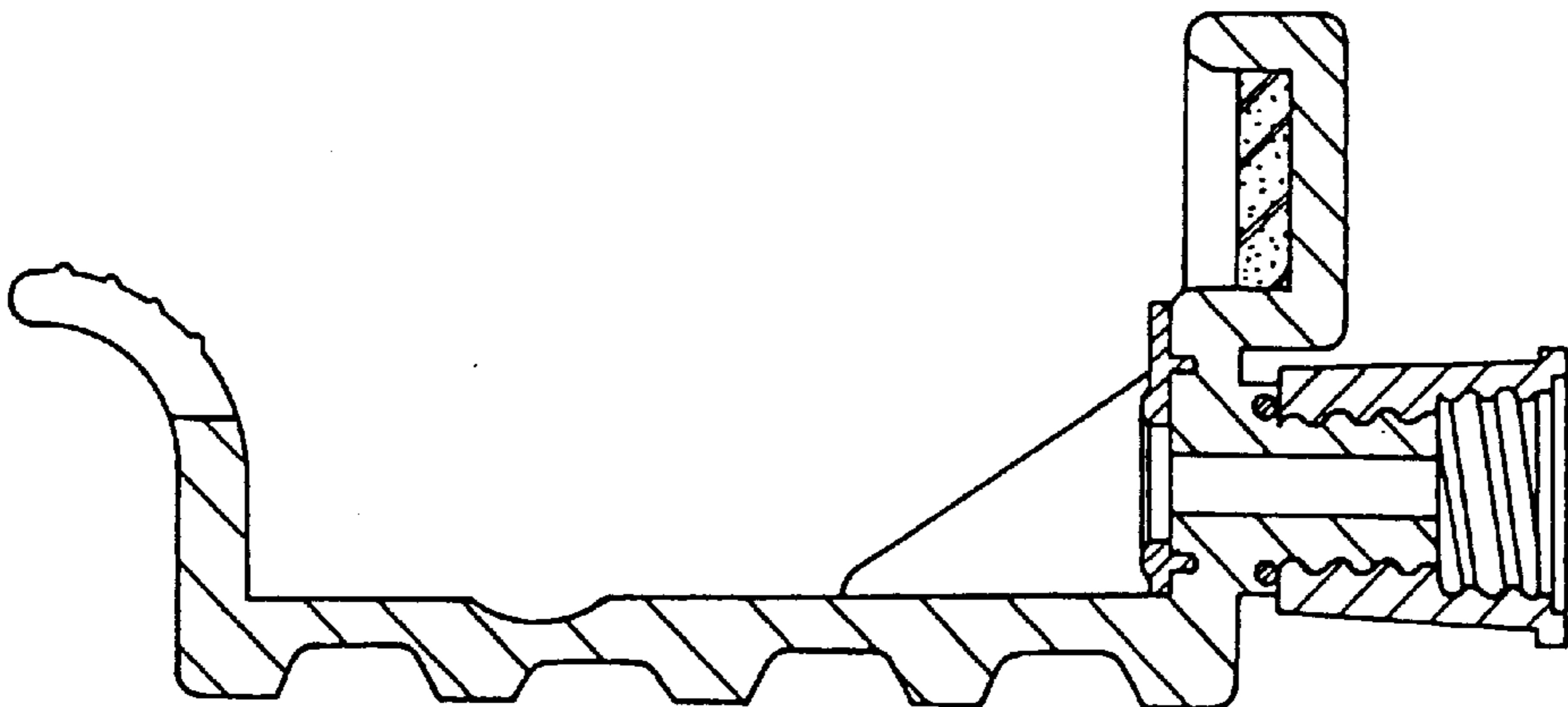


Fig. 8