



US00D422628S

United States Patent [19] Kusanagi

[11] **Patent Number: Des. 422,628**

[45] **Date of Patent: ** Apr. 11, 2000**

[54] **PAPER SUPPLYING DEVICE FOR PHOTOCOPIER**

D. 341,849 11/1993 Hiroki D18/49

[75] Inventor: **Takashi Kusanagi**, Akishima, Japan

Primary Examiner—Caron D. Veynar
Attorney, Agent, or Firm—Fitzpatrick, Cella, Harper & Scinto

[73] Assignee: **Canon Kabushiki Kaisha**, Tokyo, Japan

[**] Term: **14 Years**

[57] **CLAIM**

[21] Appl. No.: **29/101,212**

The ornamental design for a paper supplying device for photocopier, as shown and described.

[22] Filed: **Feb. 26, 1999**

DESCRIPTION

[30] **Foreign Application Priority Data**

Aug. 31, 1998 [JP] Japan 10-024856

FIG. 1 is a front view of a paper supplying device for photocopier showing my new design;

[51] **LOC (6) Cl.** **16-03**

FIG. 2 is a rear view thereof;

[52] **U.S. Cl.** **D18/44**

FIG. 3 is a top plan view thereof;

[58] **Field of Search** D18/40, 44, 46-49, D18/50, 56; 399/23, 411; 271/3.01, 3.08, 3.14, 8.1

FIG. 4 is a bottom plan view thereof;

FIG. 5 is a left side view thereof;

FIG. 6 is a right side view thereof; and,

FIG. 7 is a perspective view thereof.

[56] **References Cited**

U.S. PATENT DOCUMENTS

D. 312,268 11/1990 Helmetsie D18/36

1 Claim, 5 Drawing Sheets

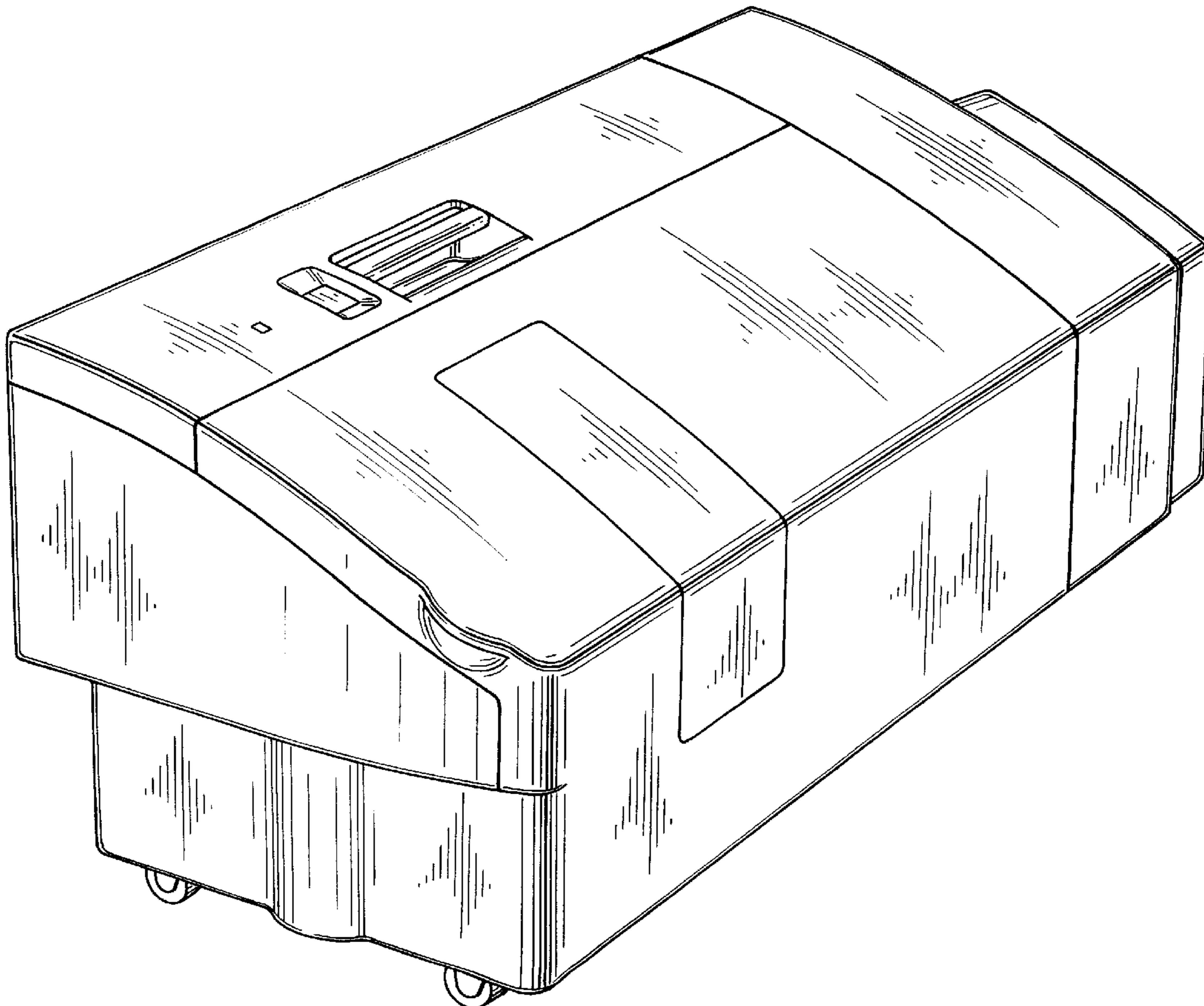


FIG. 1

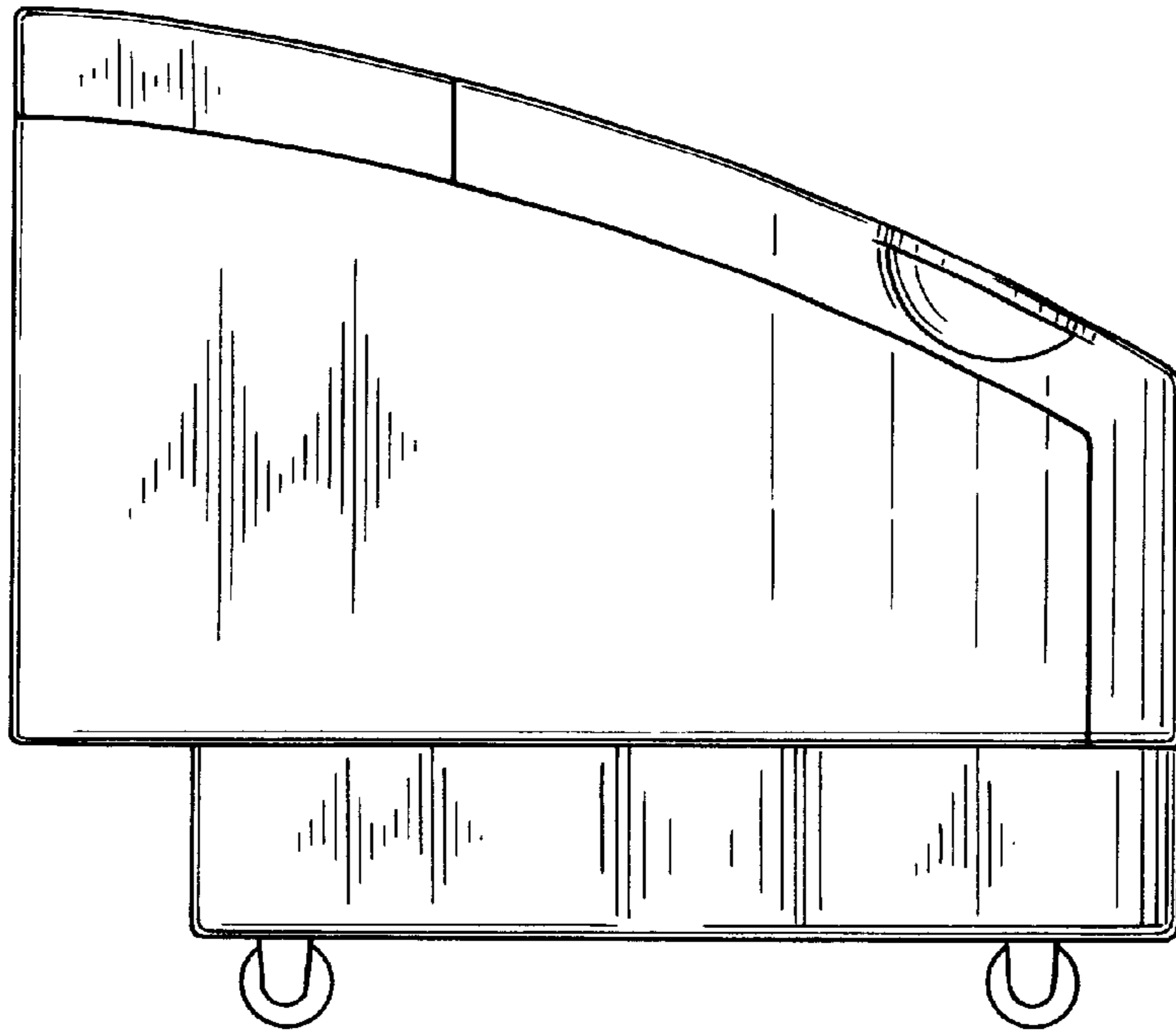


FIG. 2

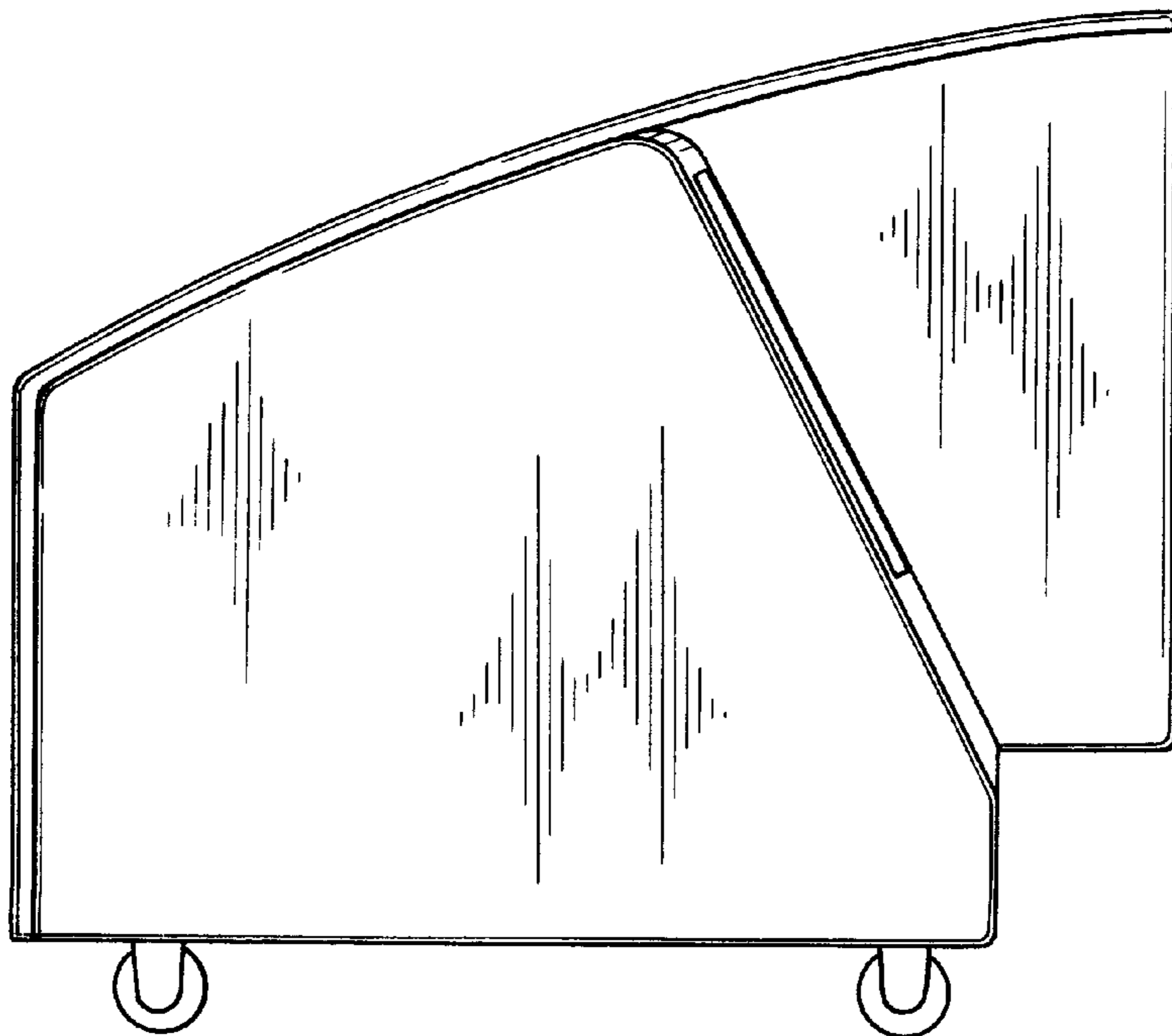


FIG. 3

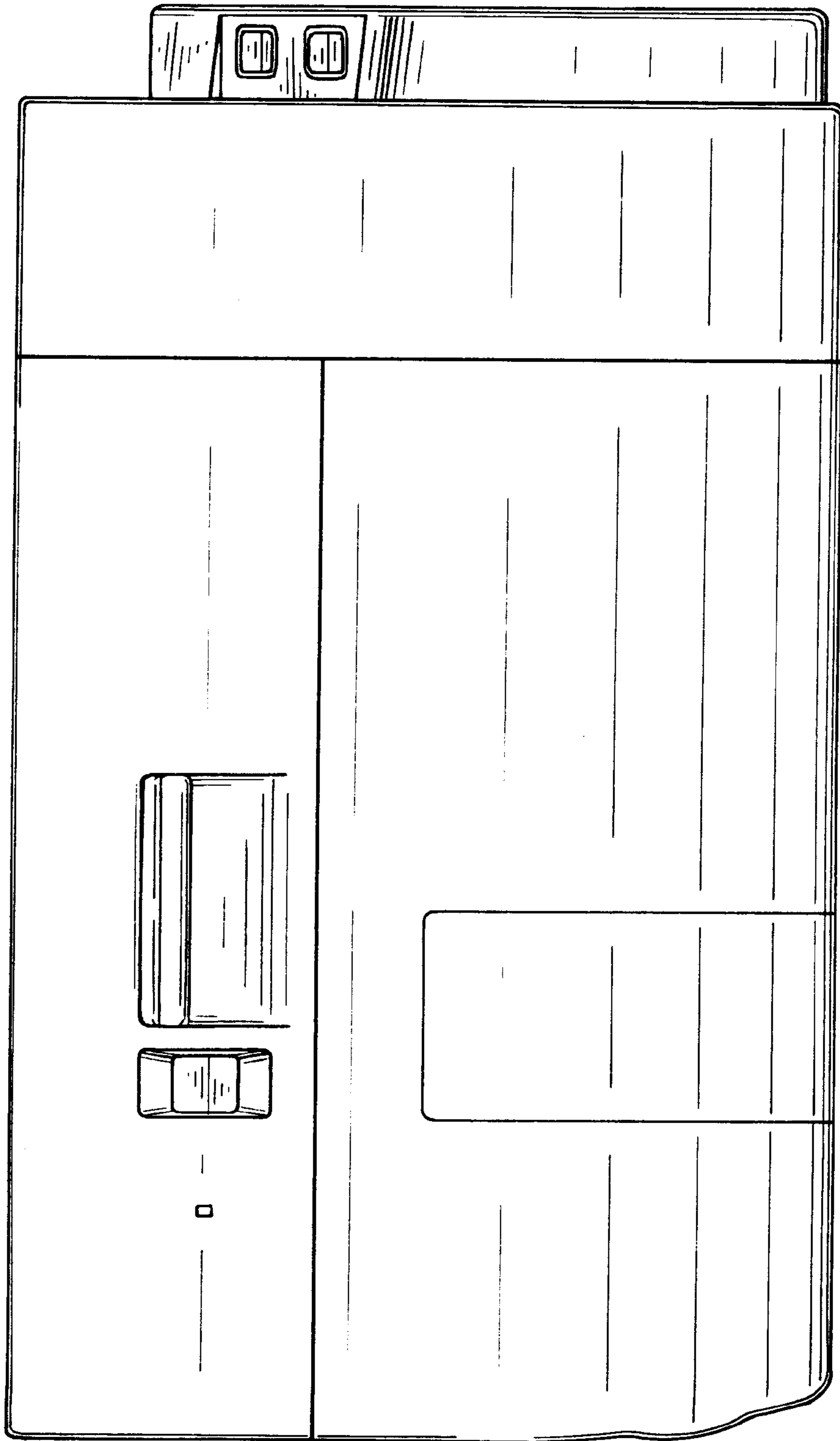


FIG. 4

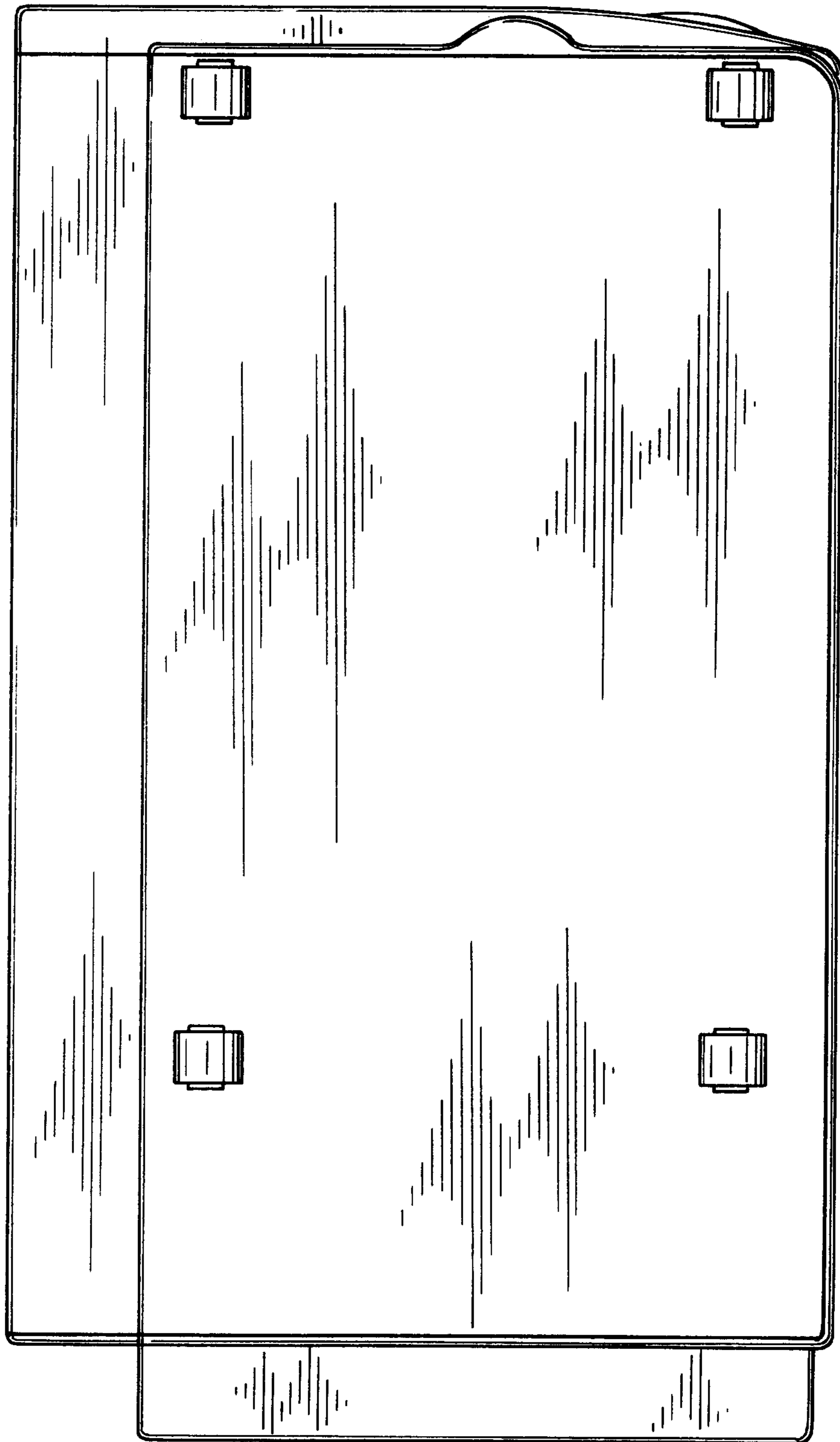


FIG. 5

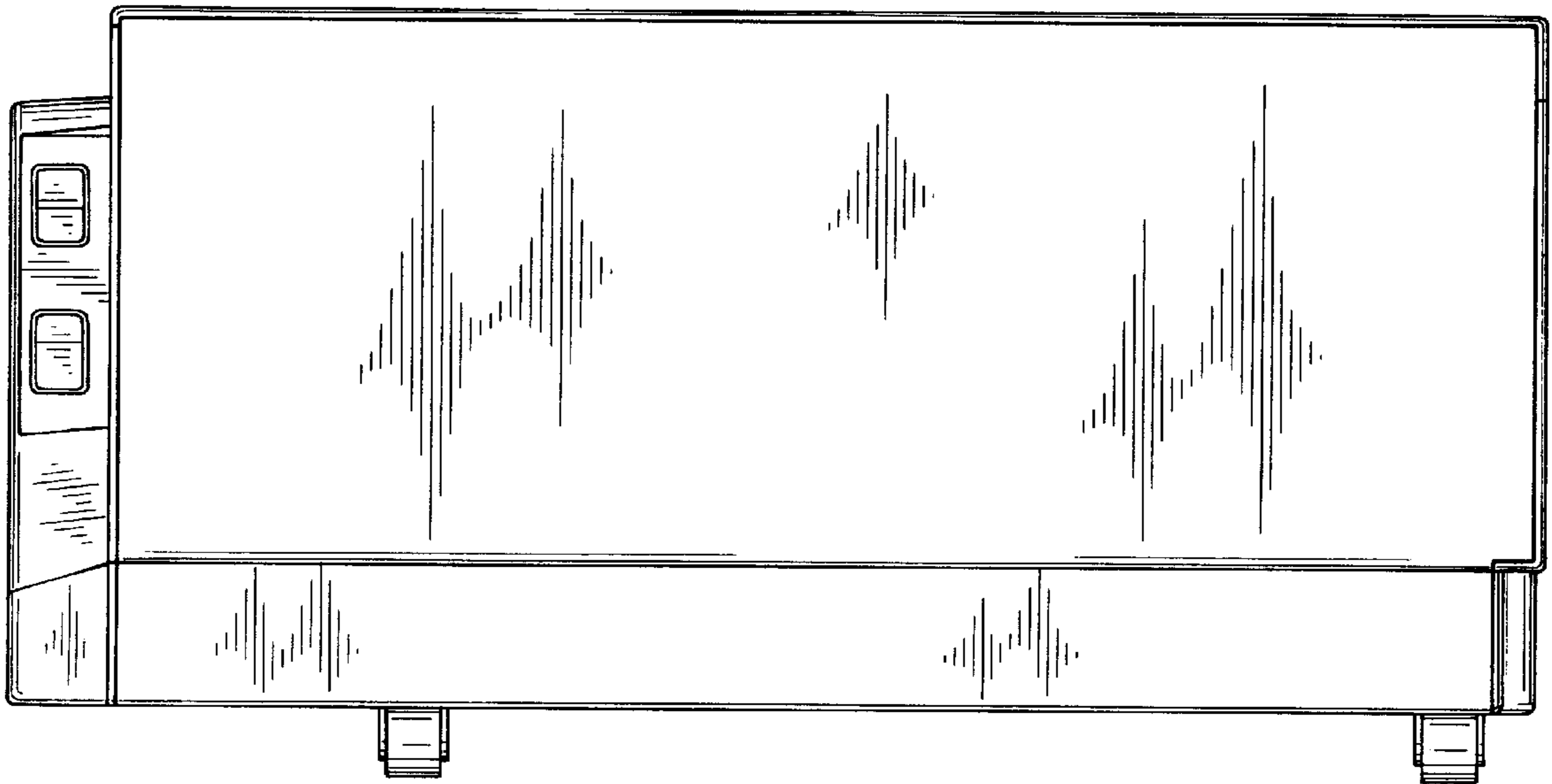


FIG. 6

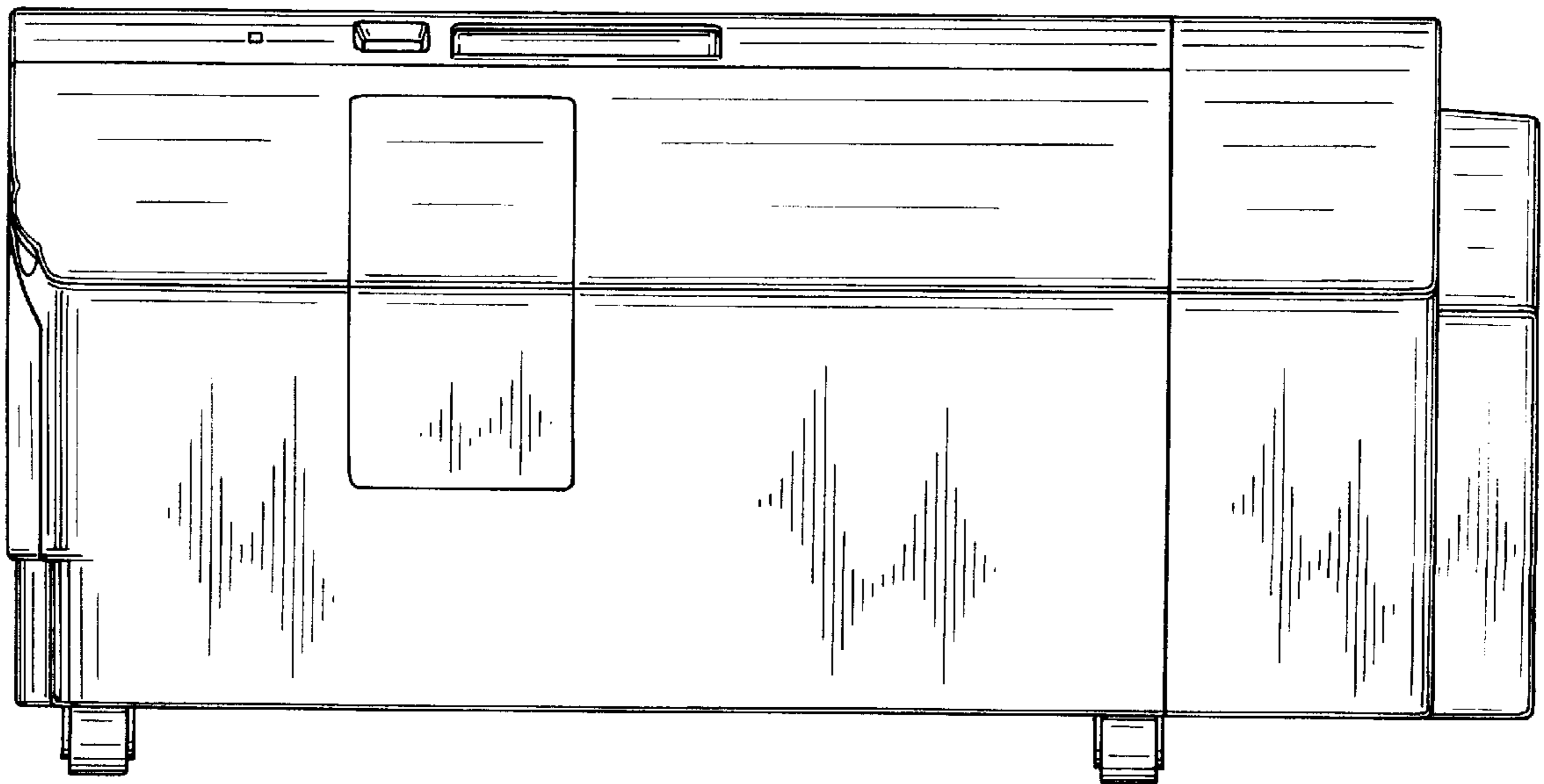


FIG. 7

