



US00D422627S

United States Patent [19]

Drinkwater et al.

[11] Patent Number: **Des. 422,627**

[45] Date of Patent: **** Apr. 11, 2000**

[54] **PLUG FOR A TONER CONTAINER**

[75] Inventors: **Wayne D. Drinkwater**, Fairport; **David B. Playfair**, Penfield; **Jan M. Enderle**, Rochester; **Frederick A. Philbrick**, Walworth, all of N.Y.

[73] Assignee: **Xerox Corporation**, Stamford, Conn.

[**] Term: **14 Years**

[21] Appl. No.: **29/110,082**

[22] Filed: **Aug. 30, 1999**

[51] **LOC (6) Cl.** **16-03**

[52] **U.S. Cl.** **D18/43; D18/40**

[58] **Field of Search** **D18/40, 43, 56; D9/435, 434; 399/24, 25, 27, 31**

[56] **References Cited**

U.S. PATENT DOCUMENTS

D. 281,581 12/1985 MacEwen D9/435

D. 299,010 12/1988 Wall D9/435 X
D. 351,792 10/1994 Morris, Sr. D9/435 X
D. 403,582 1/1999 Nask et al. D9/435
D. 403,583 1/1999 Nask et al. D9/435
D. 408,053 4/1999 Okada et al. D18/43

Primary Examiner—Caron D. Veynar

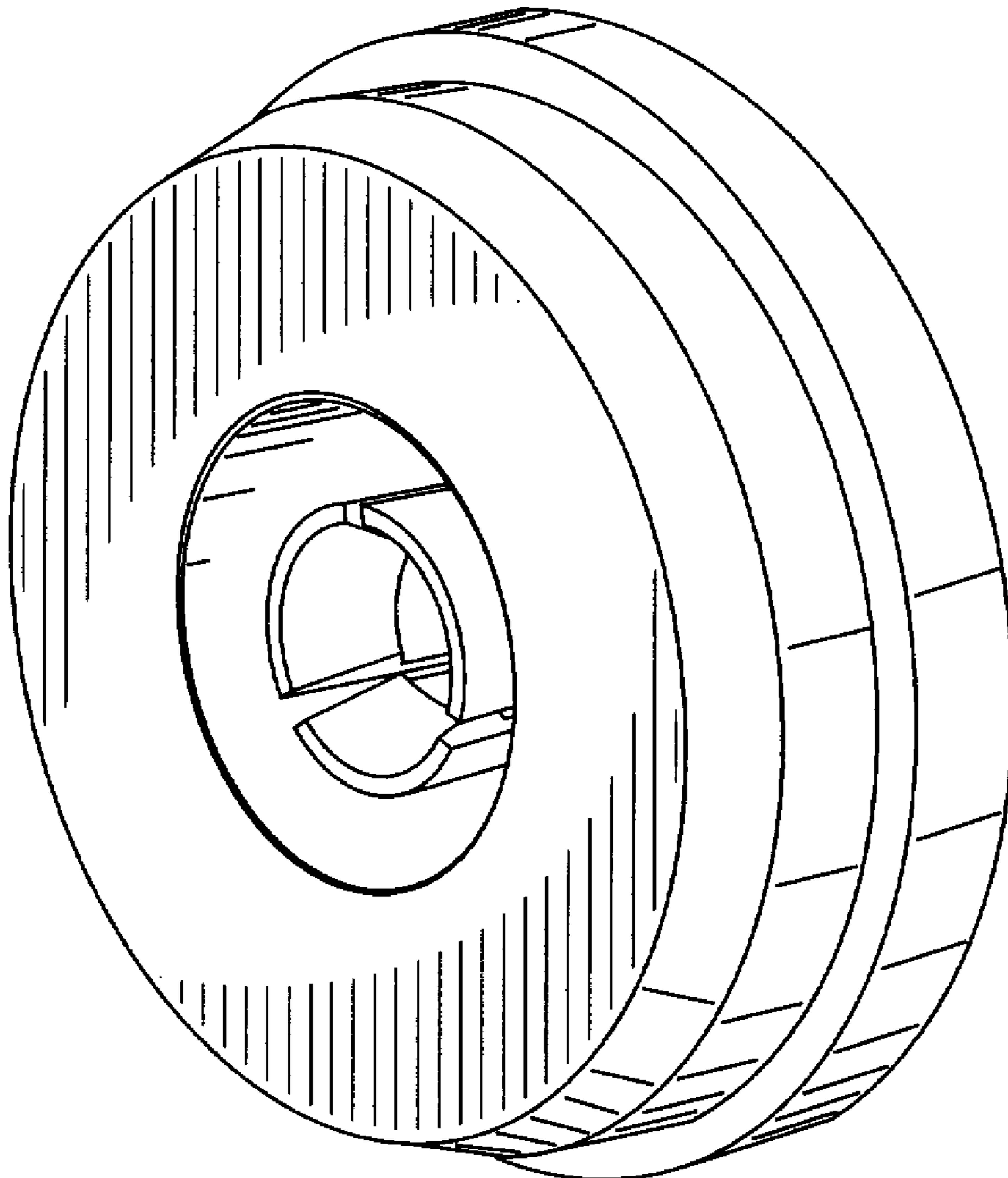
[57] **CLAIM**

The ornamental design for a plug for a toner container, as shown.

DESCRIPTION

FIG. 1 is a front perspective view of a plug for a toner container showing our new design; FIG. 2 is a front view thereof; FIG. 3 is a right side view thereof; FIG. 4 is a rear view thereof; FIG. 5 is a left side view thereof; FIG. 6 is a top view thereof; and, FIG. 7 is a bottom view thereof.

1 Claim, 7 Drawing Sheets



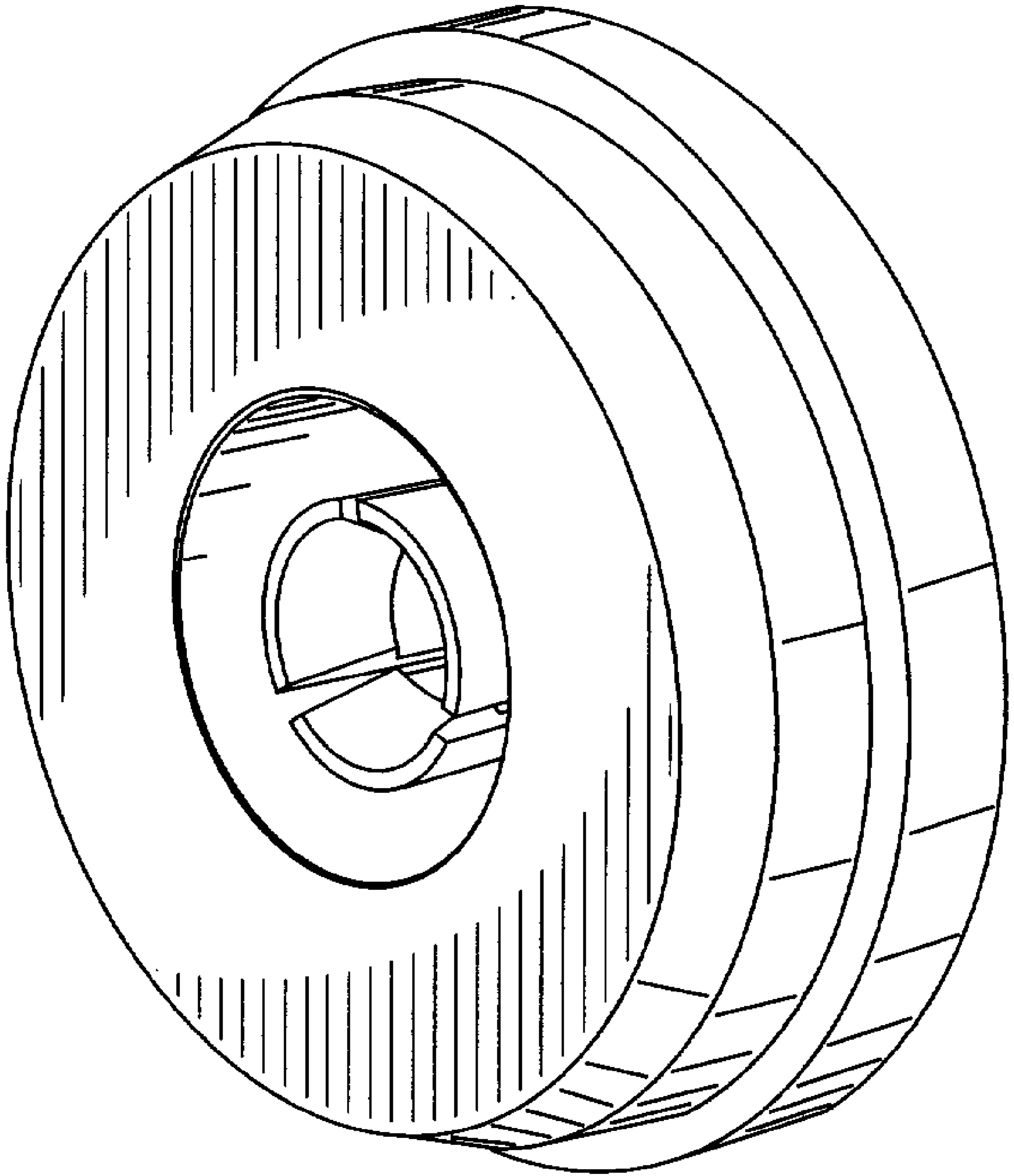


FIG. 1

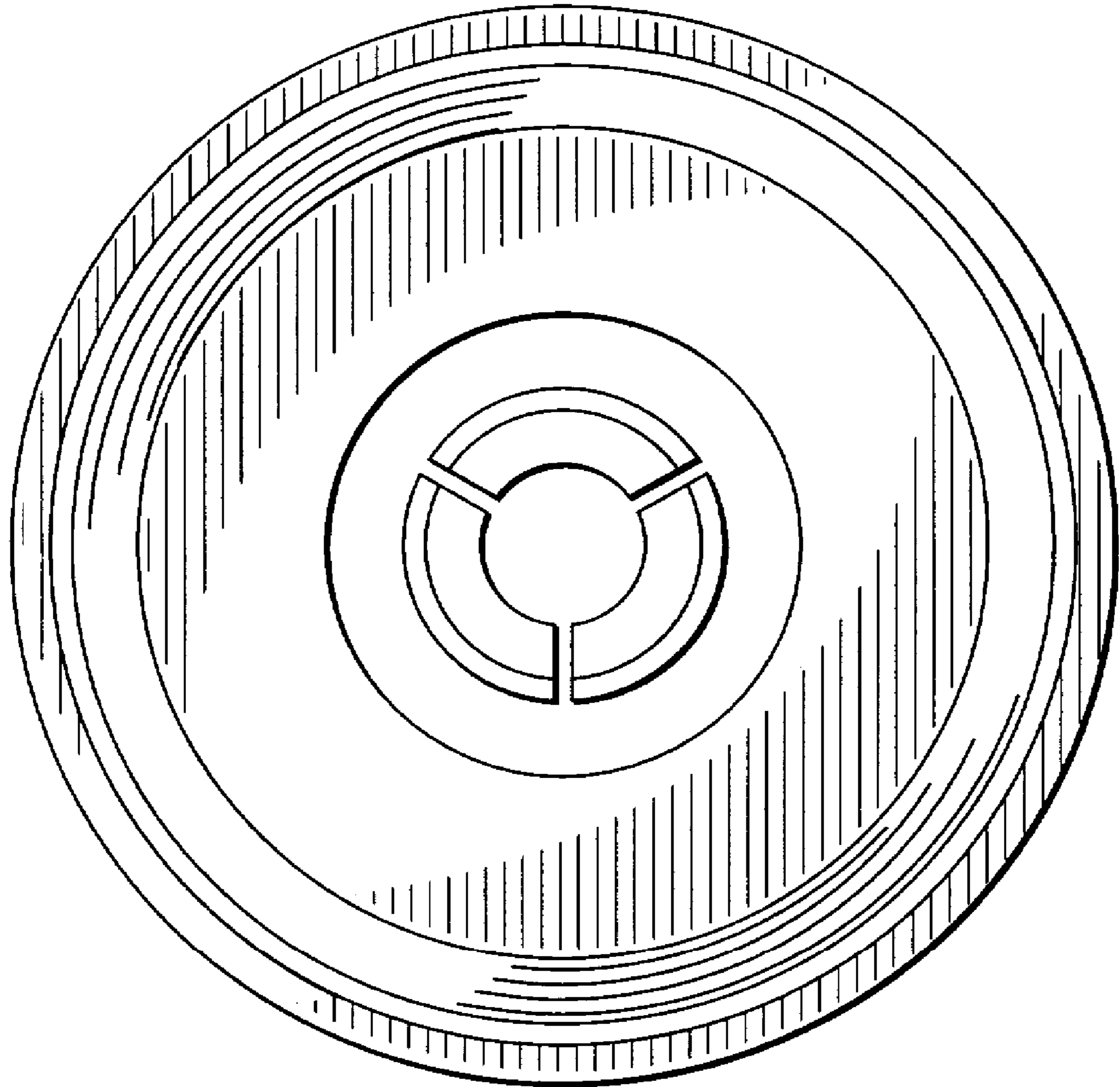


FIG. 2

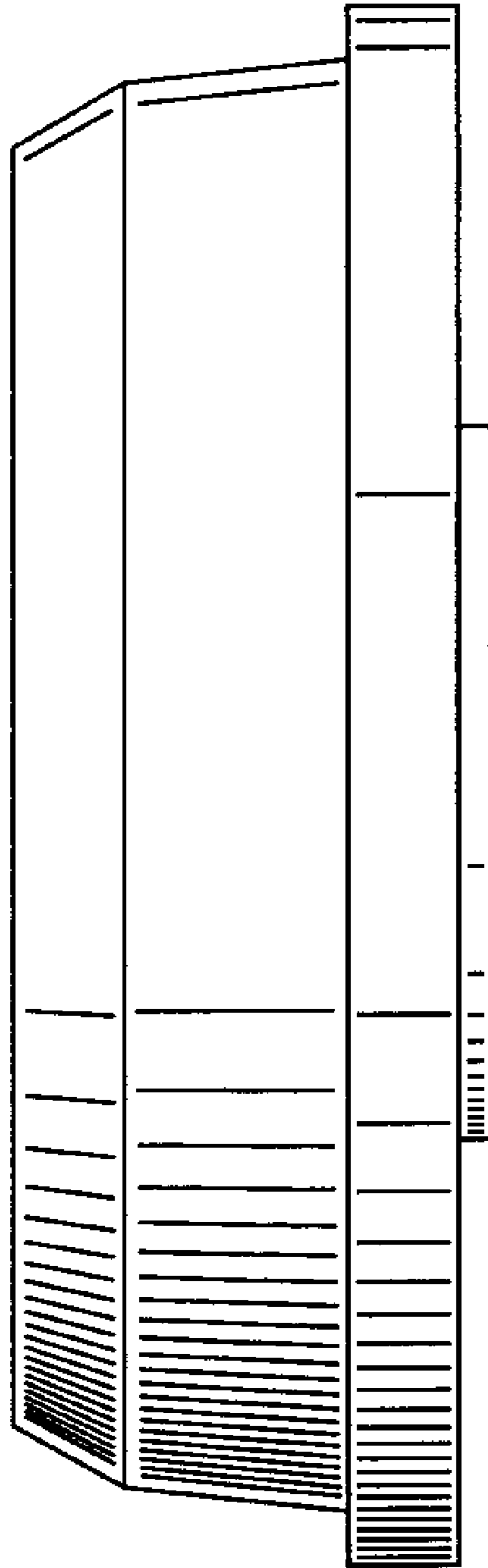


FIG. 3

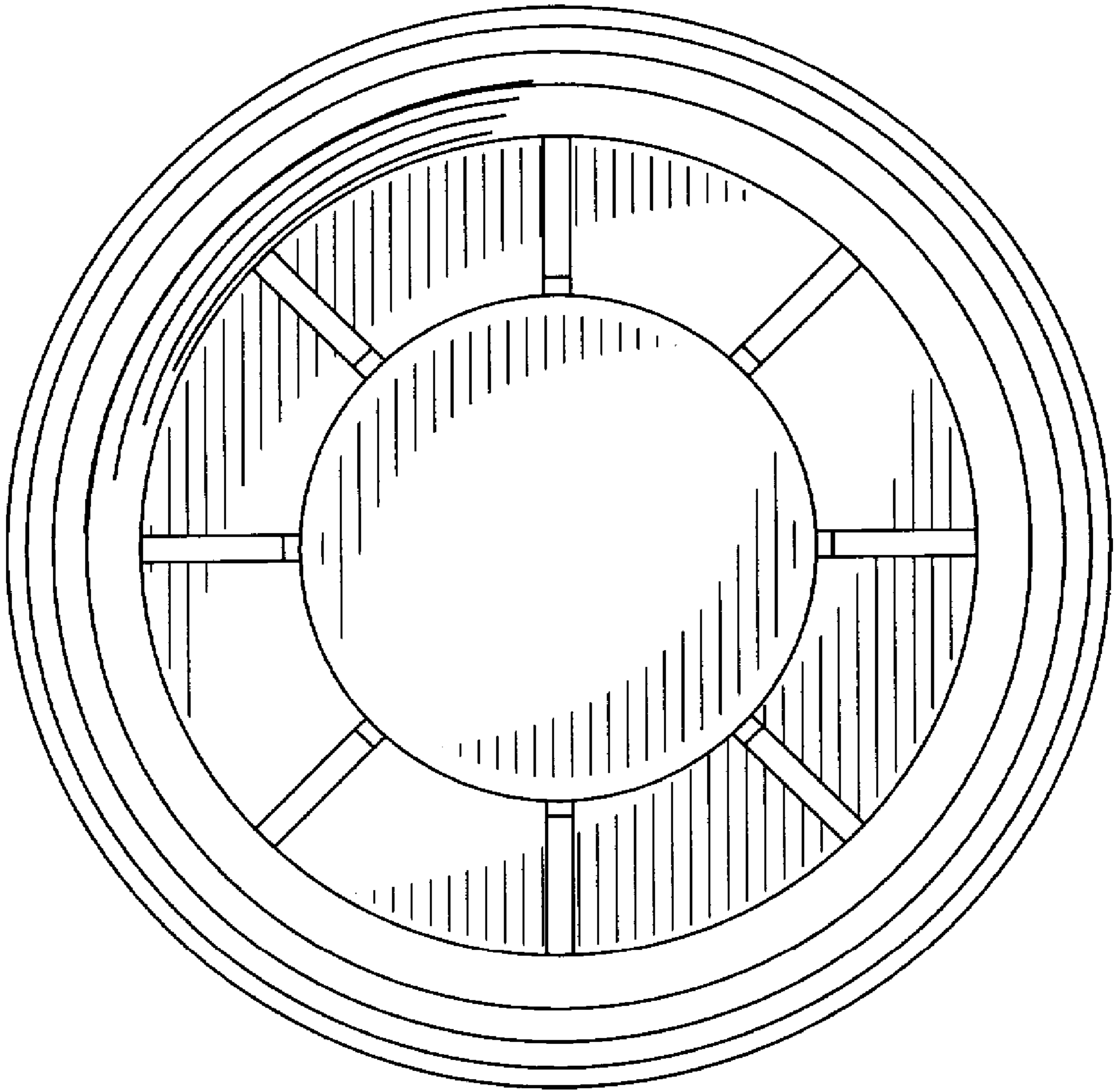


FIG. 4

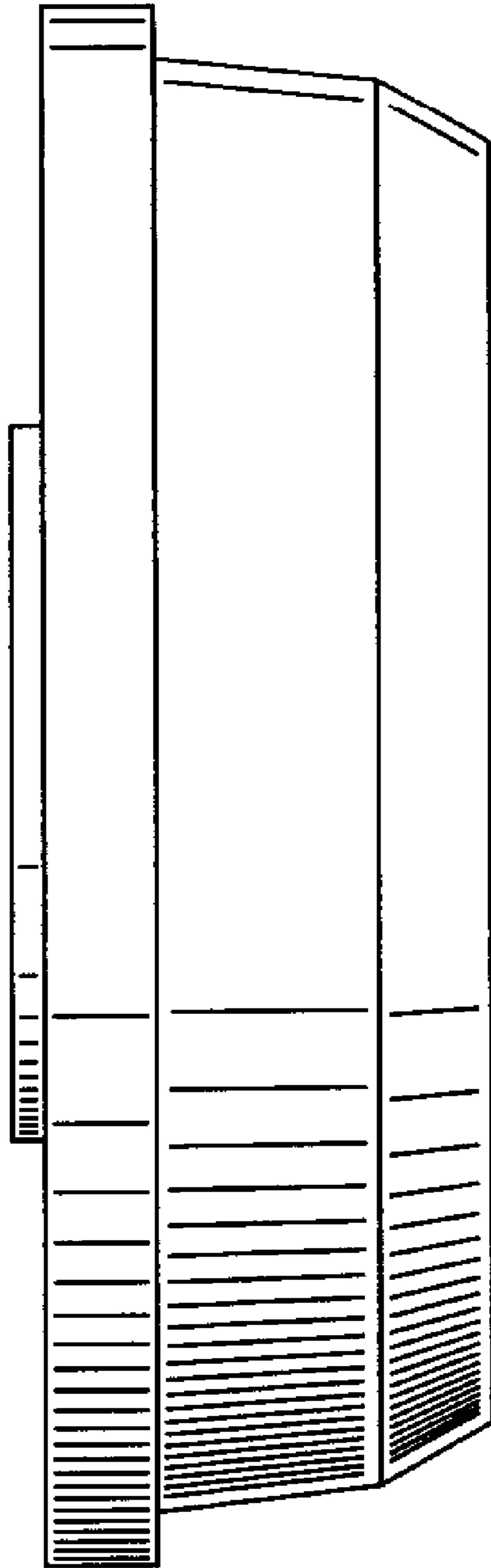


FIG. 5

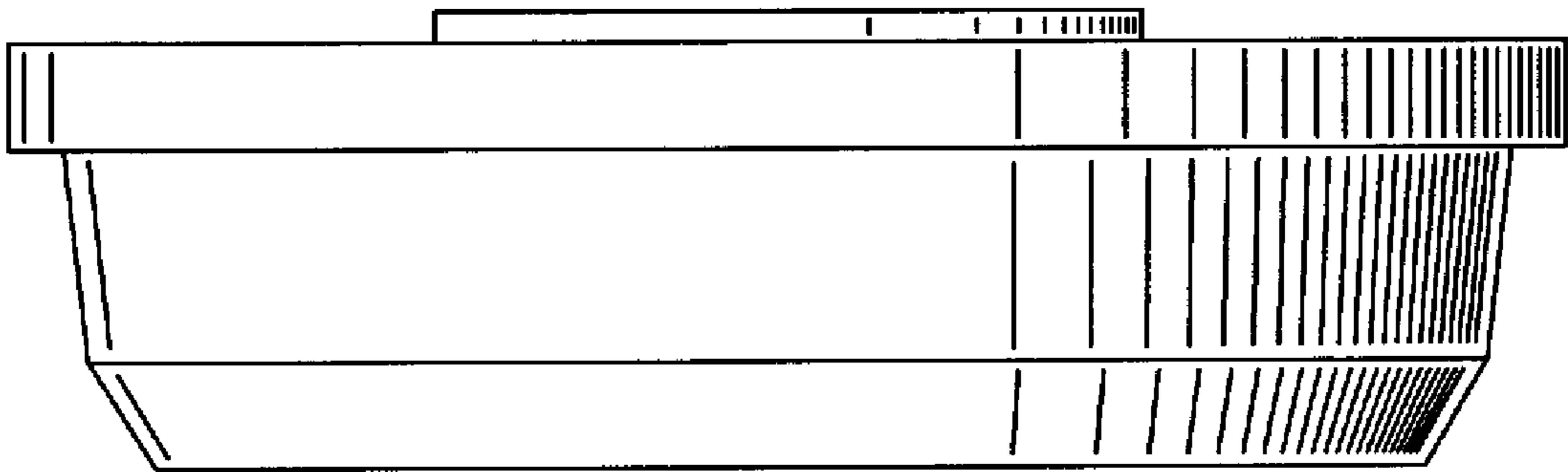


FIG. 6

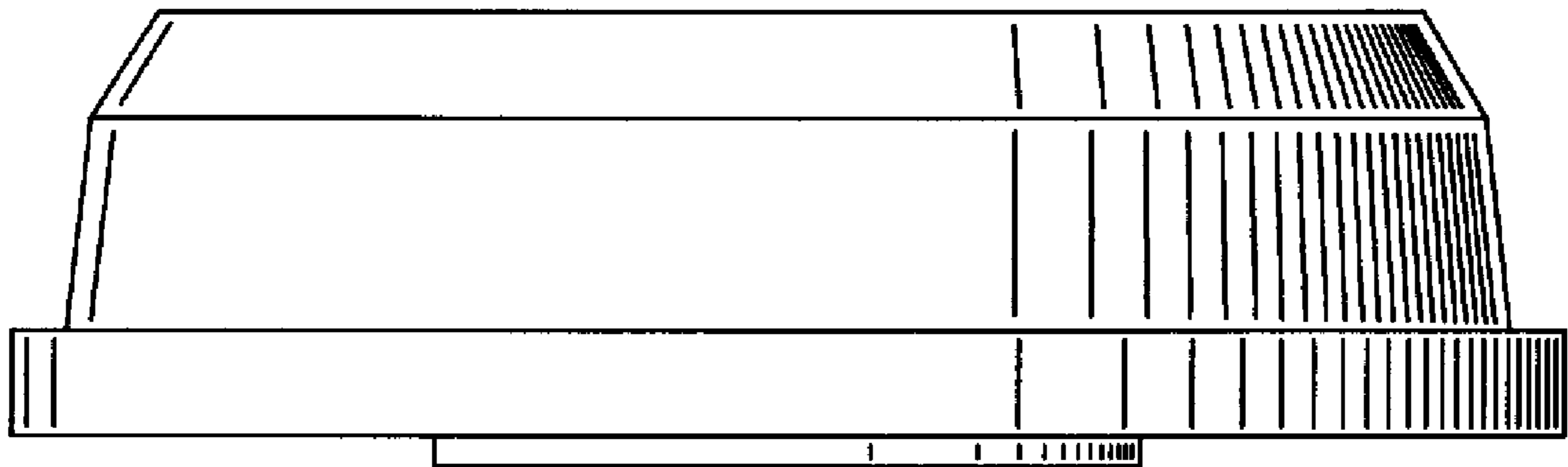


FIG. 7