



US00D422626S

United States Patent [19]

Kurosawa et al.

[11] Patent Number: **Des. 422,626**

[45] Date of Patent: **** Apr. 11, 2000**

[54] **TONER CARTRIDGE WITH PRINTING DEVICE**

[75] Inventors: **Eiji Kurosawa; Takashi Naito; Katsumi Yawata**, all of Nagano; **Kenji Shioya**, Kanagawa, all of Japan

[73] Assignee: **Matsushita Graphic Communication Systems, Inc.**, Japan

[**] Term: **14 Years**

[21] Appl. No.: **29/107,753**

[22] Filed: **Jul. 13, 1999**

[30] **Foreign Application Priority Data**

Mar. 26, 1999 [JP] Japan 11-7676

[51] **LOC (6) Cl.** **16-03**

[52] **U.S. Cl.** **D18/43**

[58] **Field of Search** D18/36, 40, 43, D18/56; 399/24, 25, 27, 31

[56] **References Cited**

U.S. PATENT DOCUMENTS

D. 287,023 12/1986 Masaki D18/40

D. 310,539 9/1990 Komada et al. D18/40
D. 332,962 2/1993 Kikuchi et al. D18/40 X
D. 367,880 3/1996 Miyamoto D18/43
D. 394,082 5/1998 Tashiro et al. D18/36

FOREIGN PATENT DOCUMENTS

6110263 4/1994 Japan .

Primary Examiner—Caron D. Veynar
Attorney, Agent, or Firm—Saidman DesignLaw Group

[57] **CLAIM**

The ornamental design for a toner cartridge with printing device, as shown and described.

DESCRIPTION

FIG. 1 is a perspective view of the top, front and left side of a toner cartridge with printing device showing our new design;

FIG. 2 is a front view thereof;

FIG. 3 is a top plan view thereof;

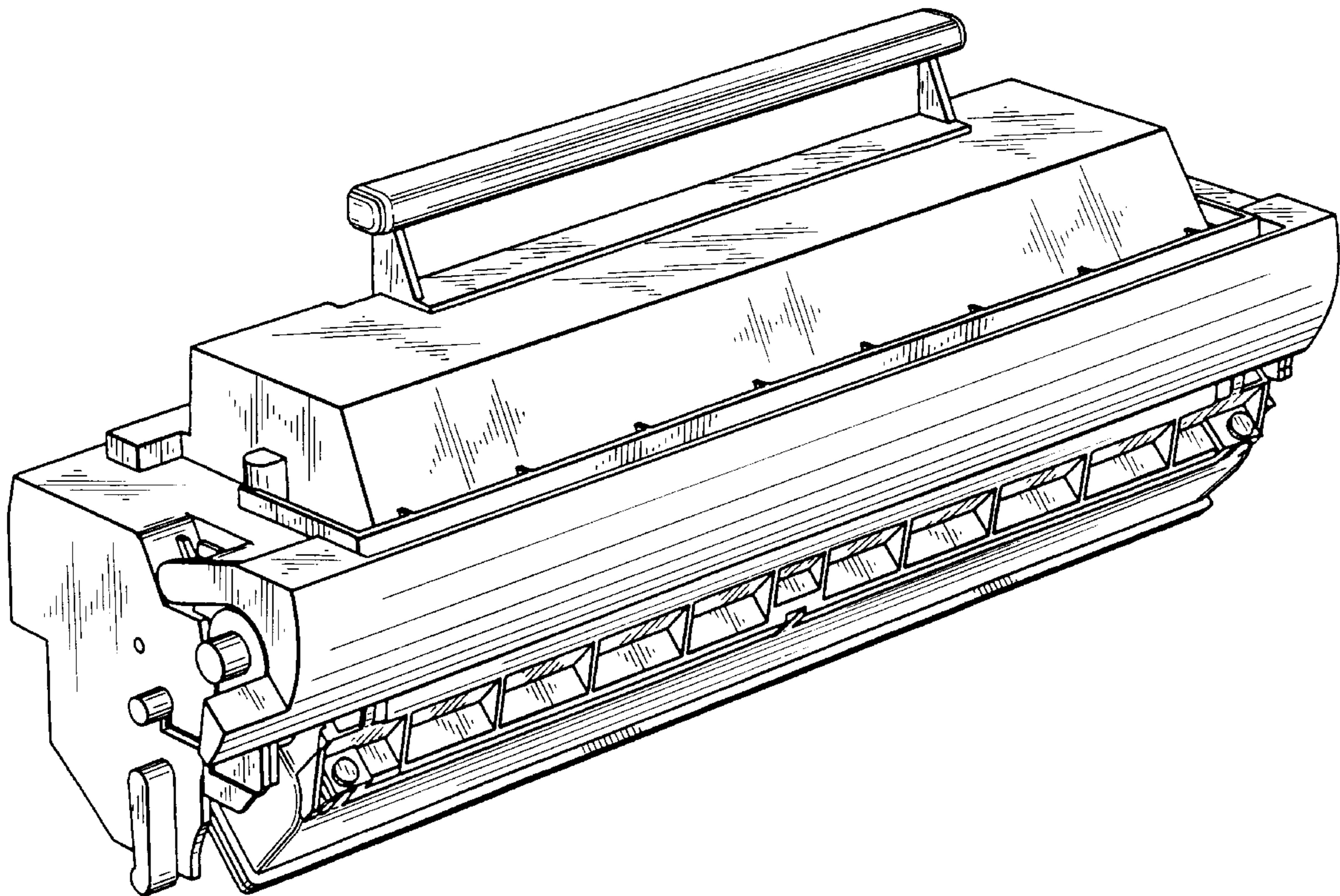
FIG. 4 is a left side view thereof;

FIG. 5 is a right side view thereof;

FIG. 6 is a rear view thereof; and,

FIG. 7 is a bottom view thereof.

1 Claim, 6 Drawing Sheets



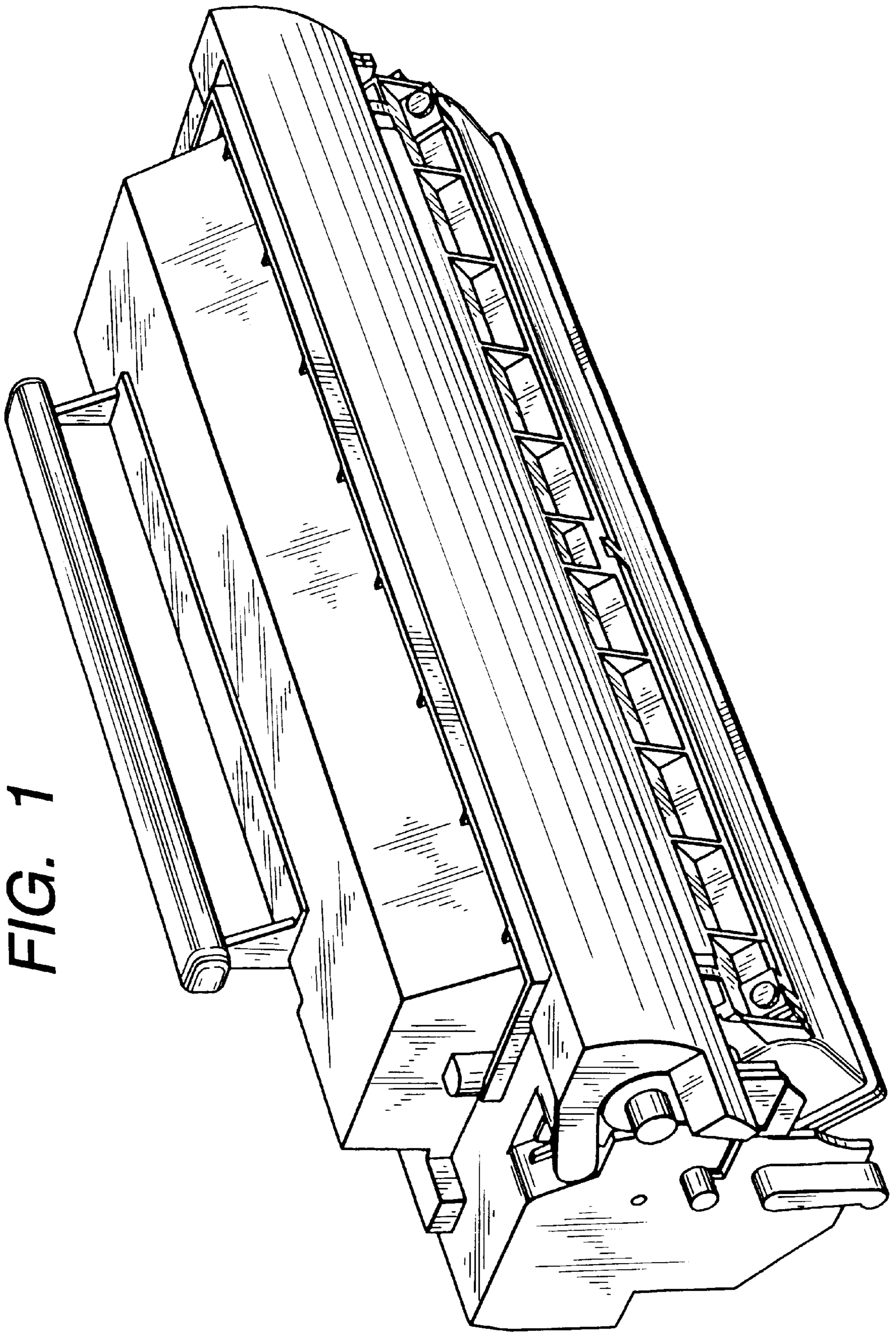


FIG. 1

FIG. 2

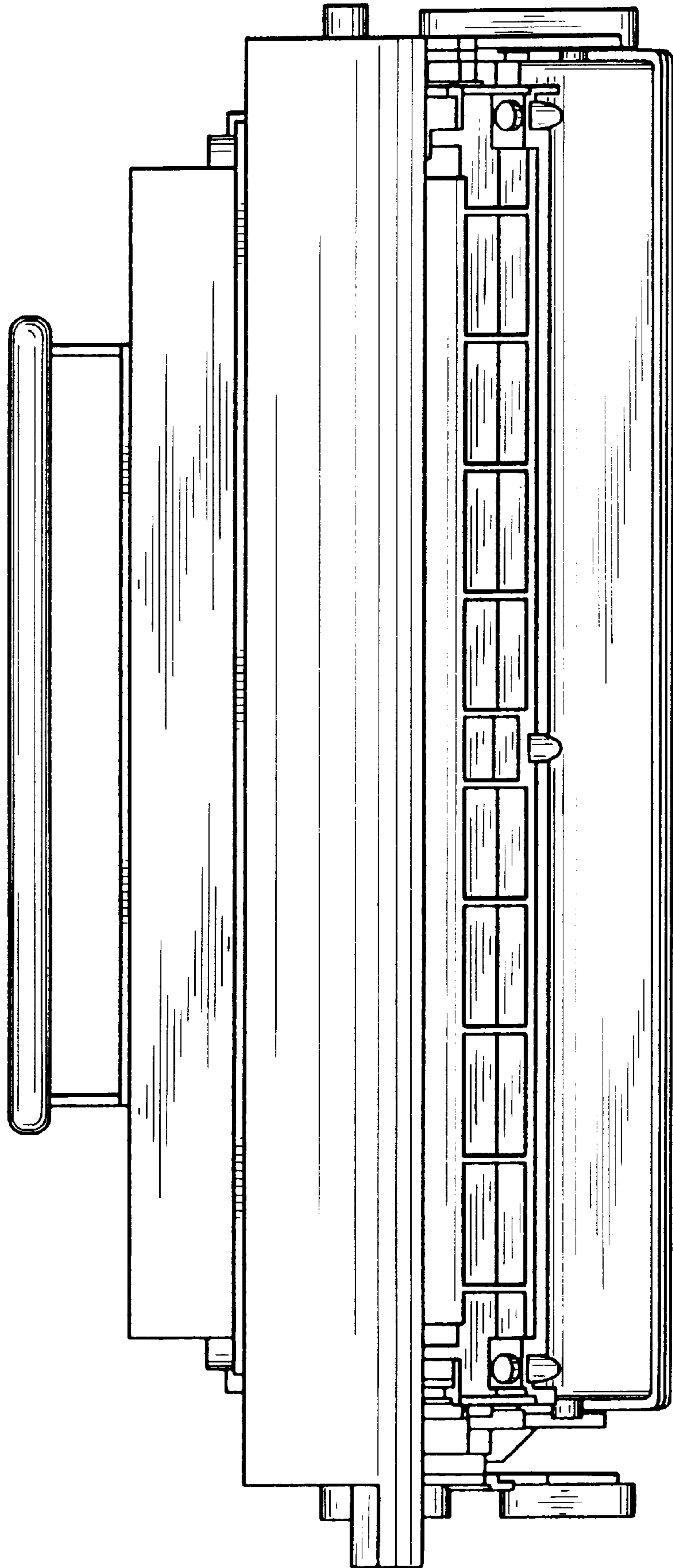


FIG. 3

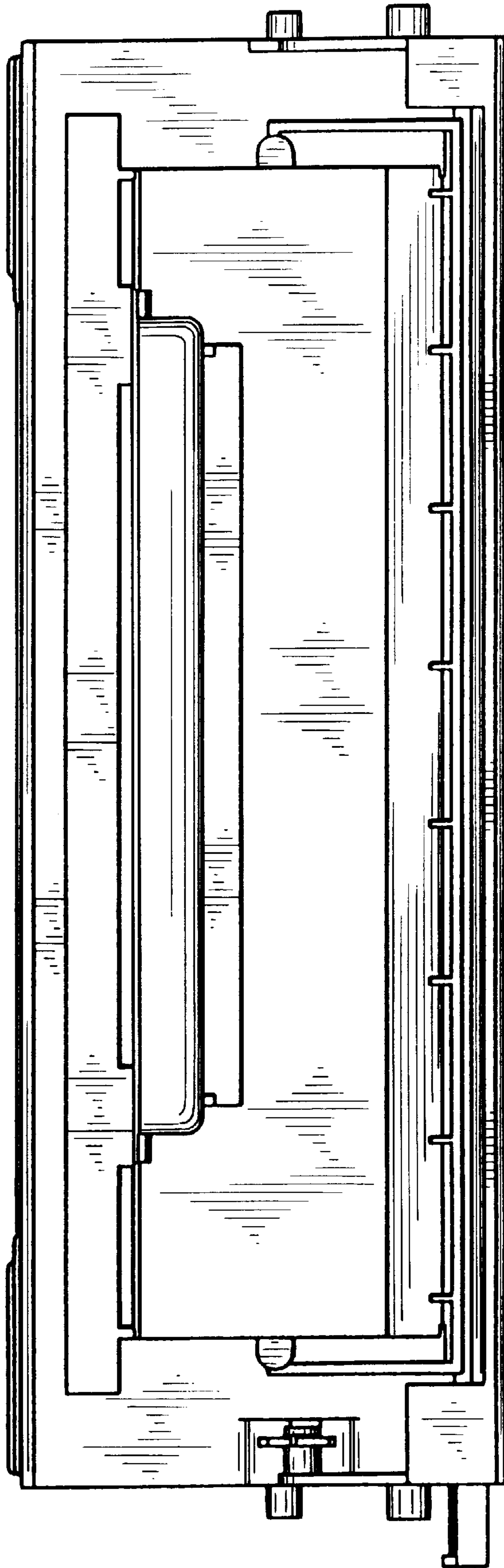


FIG. 5

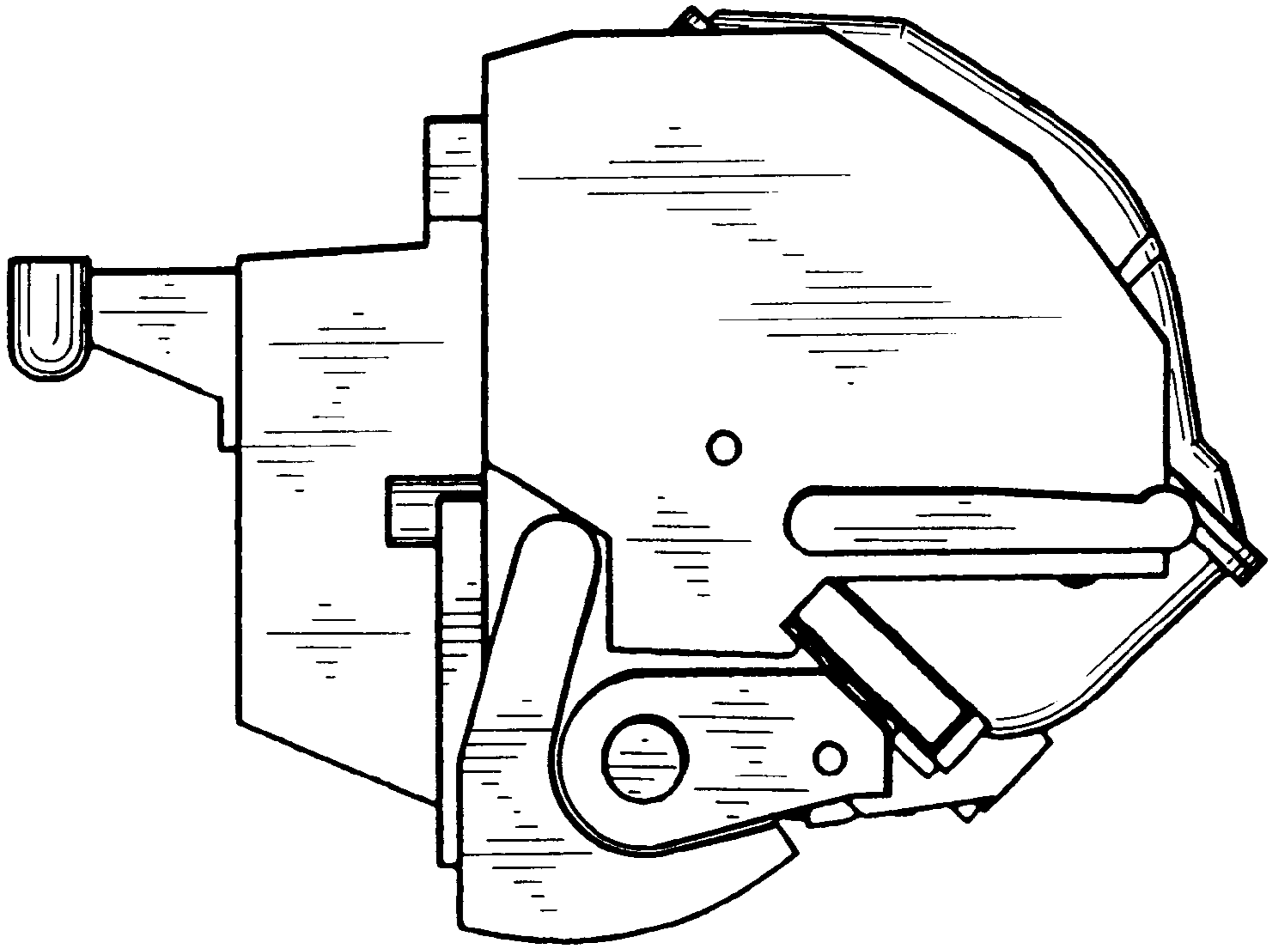


FIG. 4

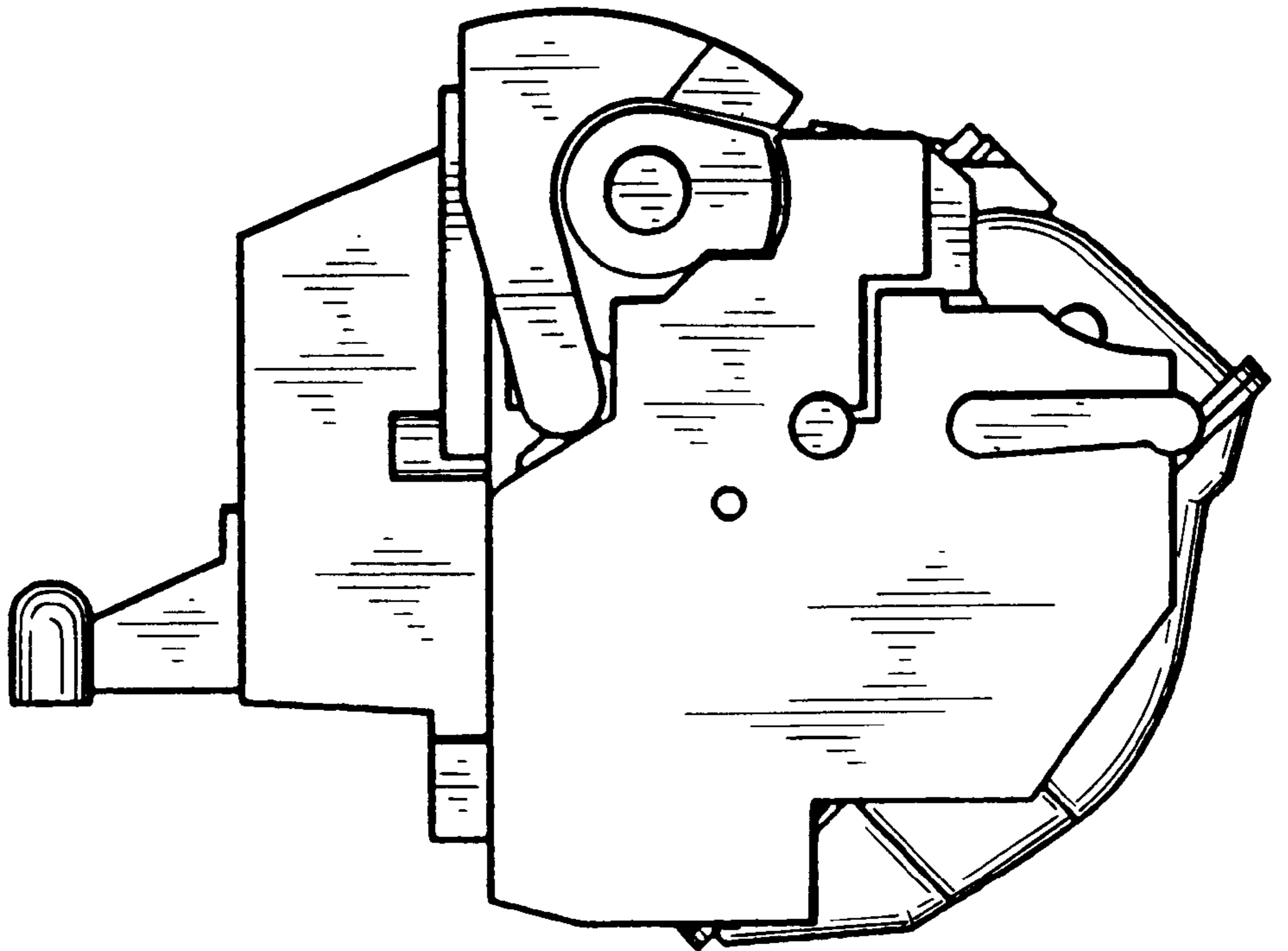


FIG. 6

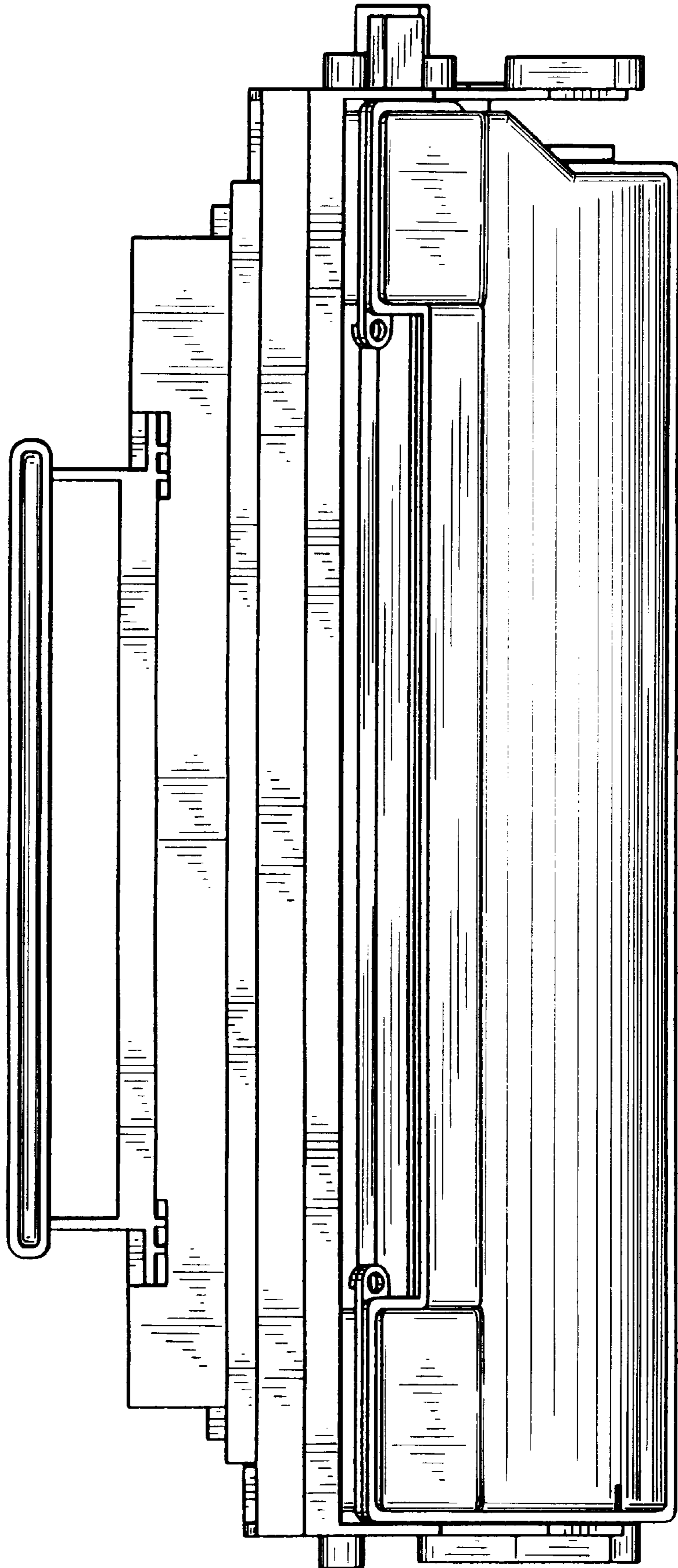


FIG. 7

