



US00D422625S

# United States Patent [19]

Brown et al.

[11] Patent Number: **Des. 422,625**

[45] Date of Patent: **\*\* Apr. 11, 2000**

[54] **CONTROL PANEL FOR AN ELECTROSTATOGRAPHIC MACHINE**

[75] Inventors: **Donald A. Brown**, Honeoye Falls; **Kenneth J. Rieck**, Victor; **William T. Clark, III**, Pittsford, all of N.Y.

[73] Assignee: **Xerox Corporation**, Stamford, Conn.

[\*\*] Term: **14 Years**

[21] Appl. No.: **29/107,204**

[22] Filed: **Jun. 29, 1999**

[51] **LOC (6) Cl.** ..... **16-03**

[52] **U.S. Cl.** ..... **D18/41**

[58] **Field of Search** ..... D18/36-41, 56; 399/1-7, 81, 38

[56] **References Cited**

**U.S. PATENT DOCUMENTS**

D. 280,630 9/1985 Kadota ..... D18/38

D. 280,634 9/1985 Imada et al. .... D18/37  
D. 328,609 8/1992 Isida ..... D18/36  
D. 388,820 1/1998 Umeda et al. .... D18/39  
D. 410,675 6/1999 Ohashi ..... D18/36  
D. 415,787 10/1999 Clark, III et al. .... D18/36

*Primary Examiner*—Caron D. Veynar

[57] **CLAIM**

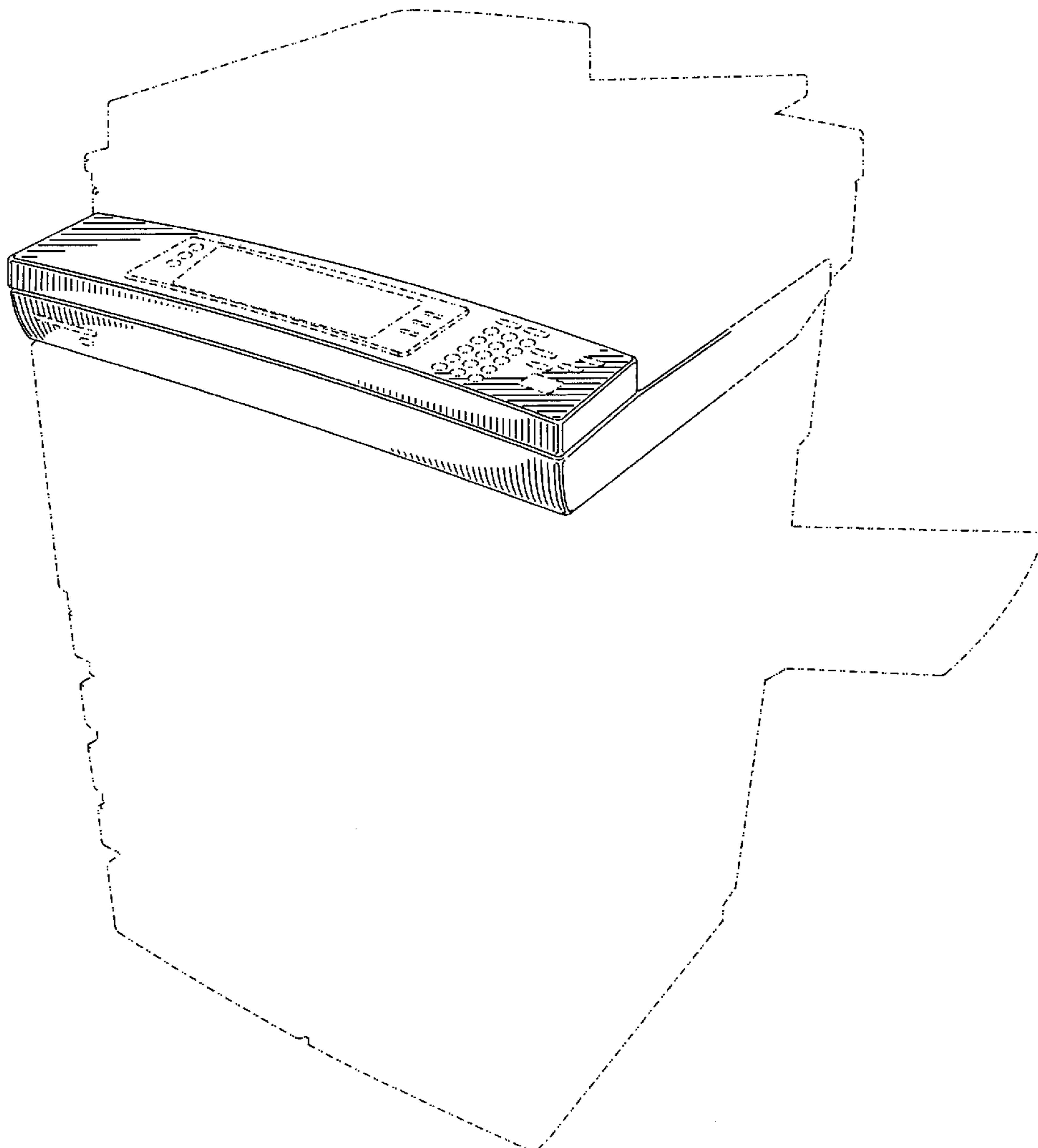
The ornamental design for a control panel for an electrostatographic machine, as shown and described.

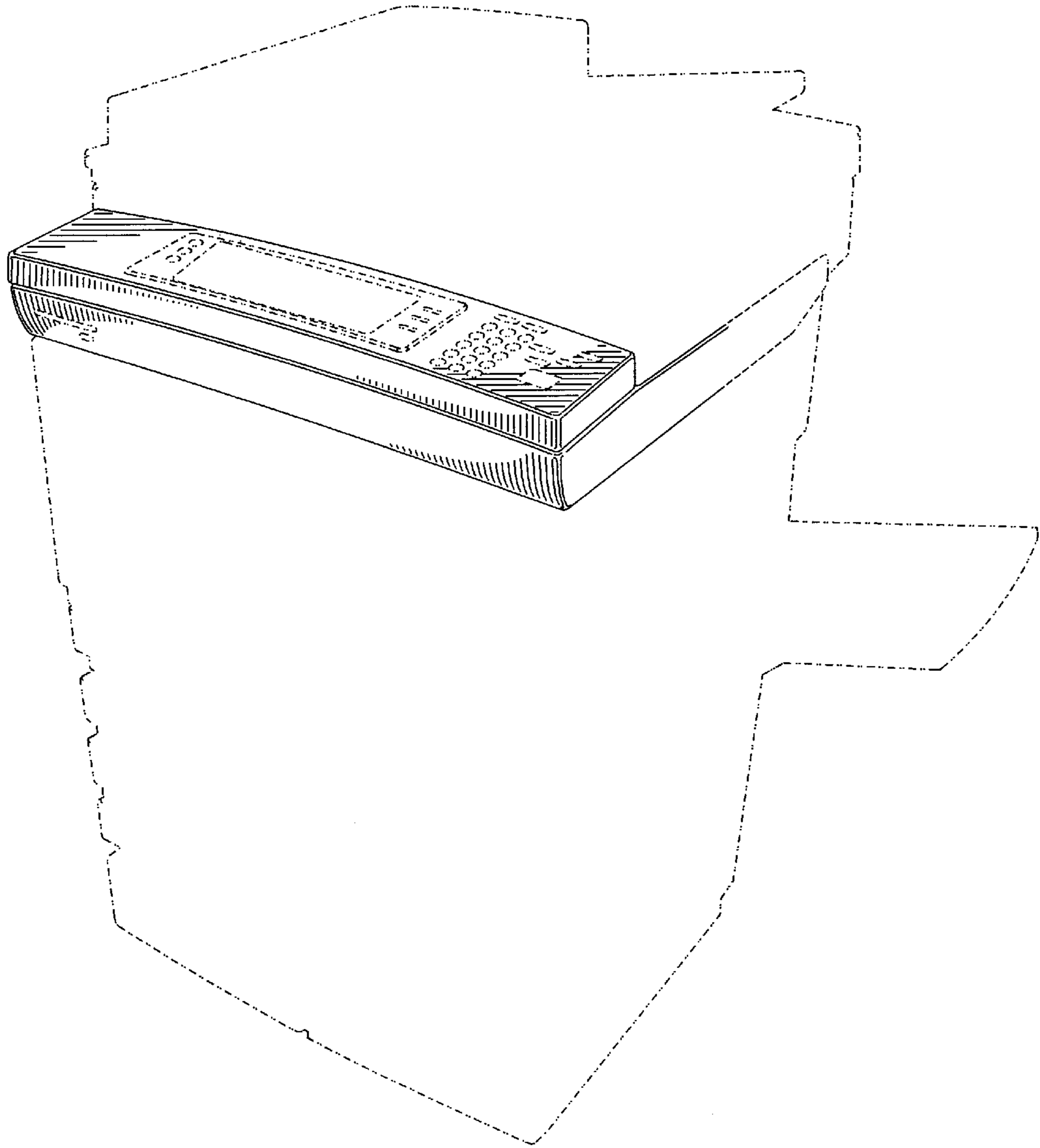
**DESCRIPTION**

FIG. 1 is a perspective view of a control panel for an electrostatographic machine showing the new design; FIG. 2 is a frontal view thereof; FIG. 3 is a left side view thereof; FIG. 4 is a right side view thereof; and, FIG. 5 is a top plan view thereof.

The broken line showings in FIGS. 1-5 are for illustrative purposes only and forms no part of the claimed design.

**1 Claim, 5 Drawing Sheets**





**FIG. 1**

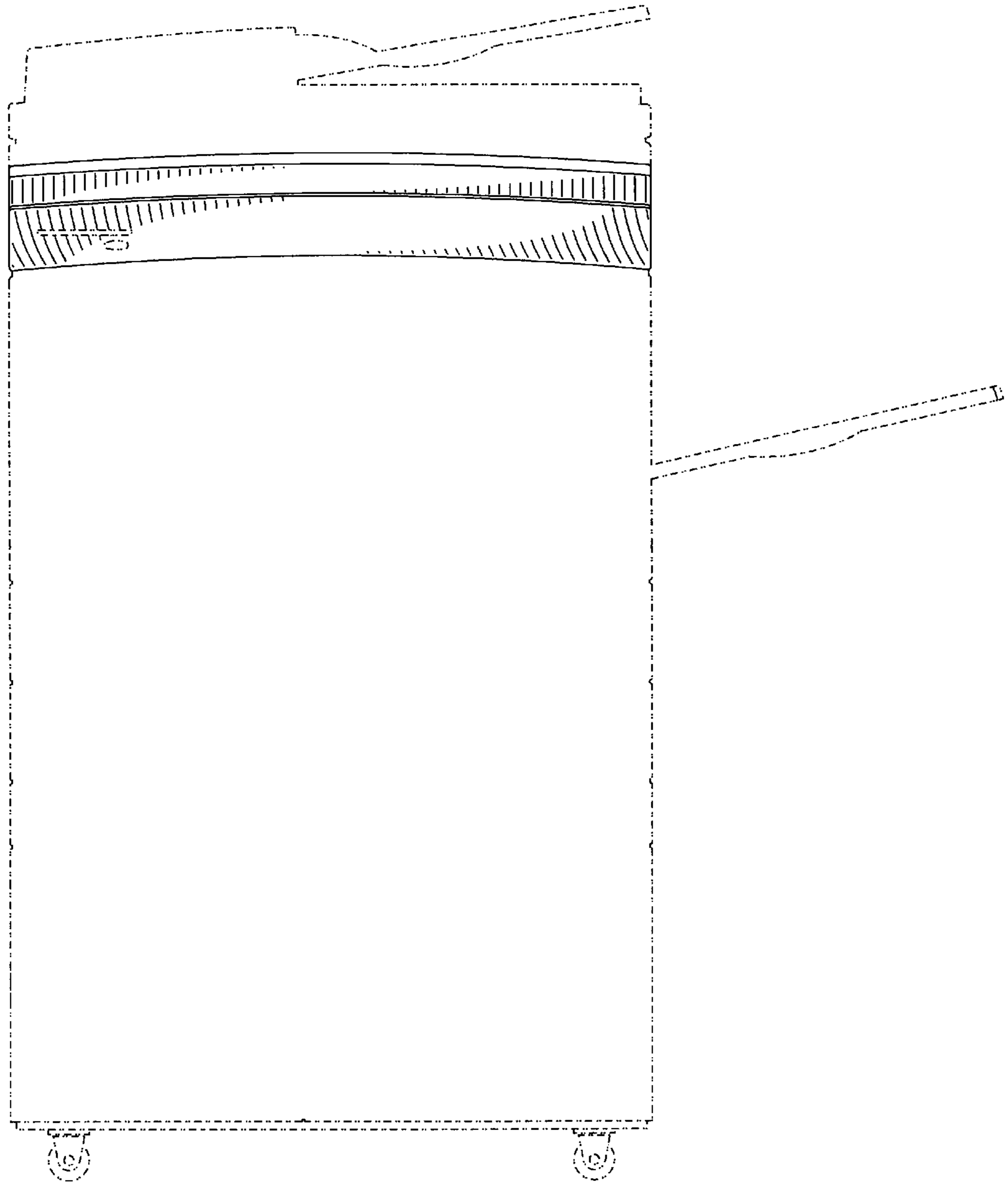
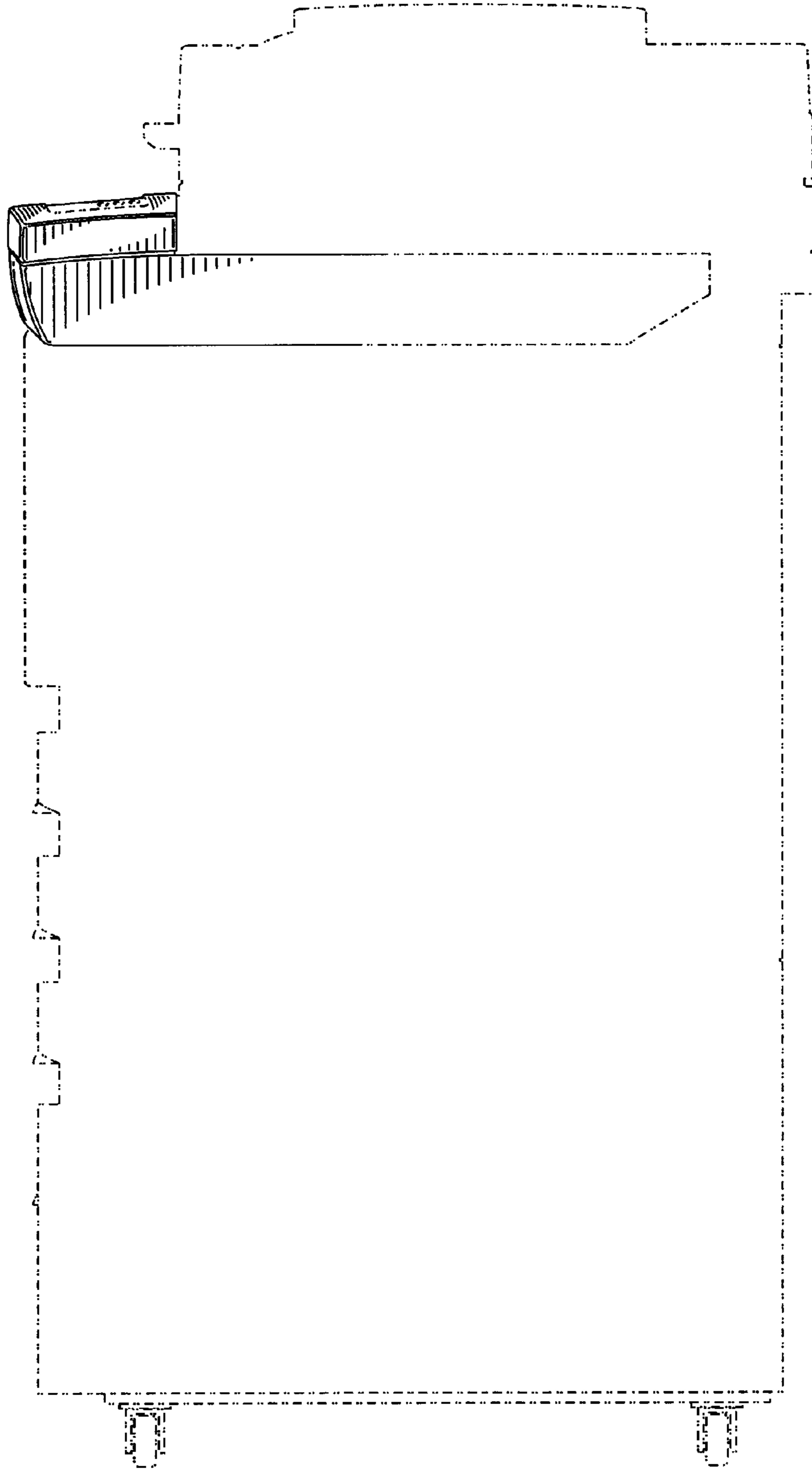
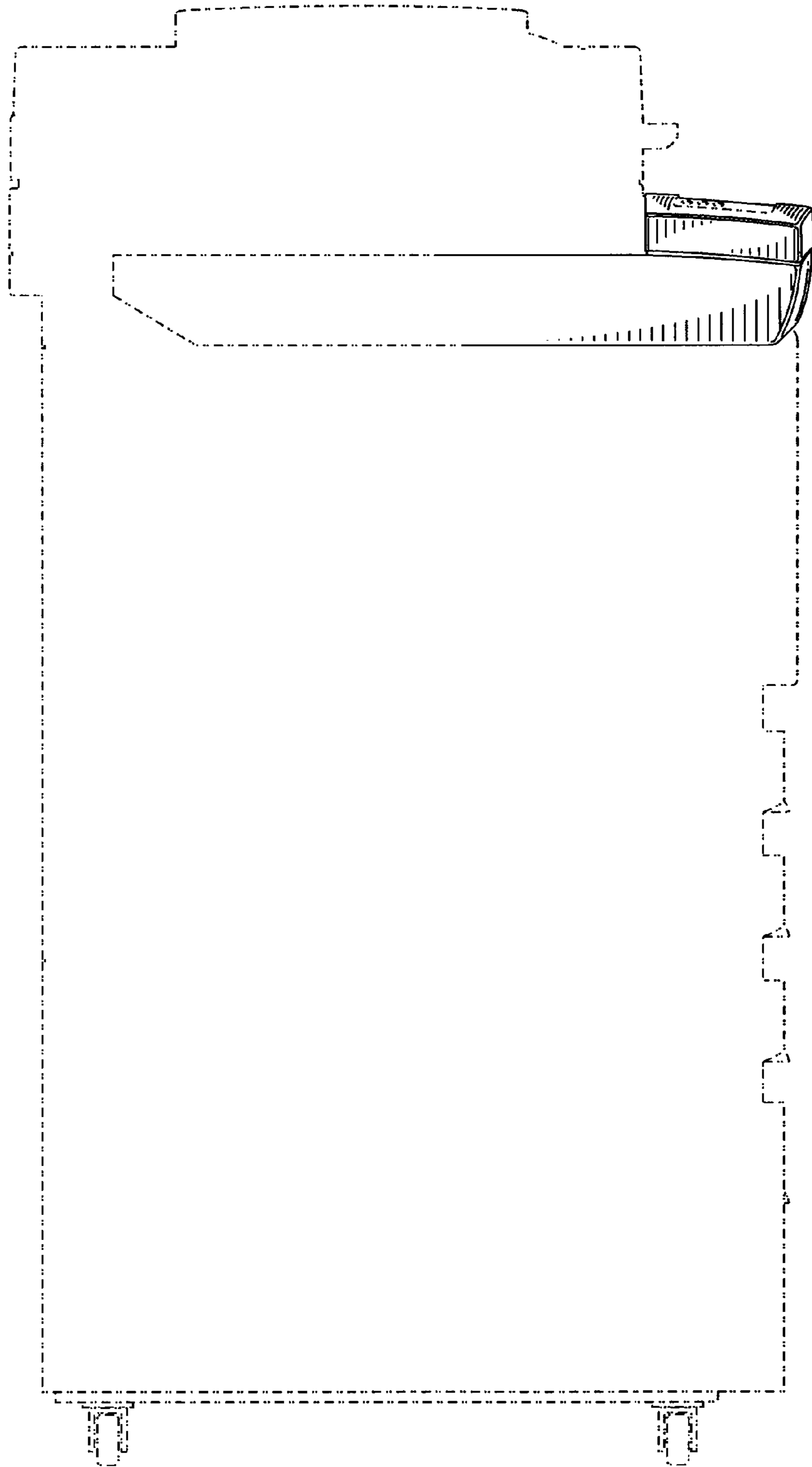


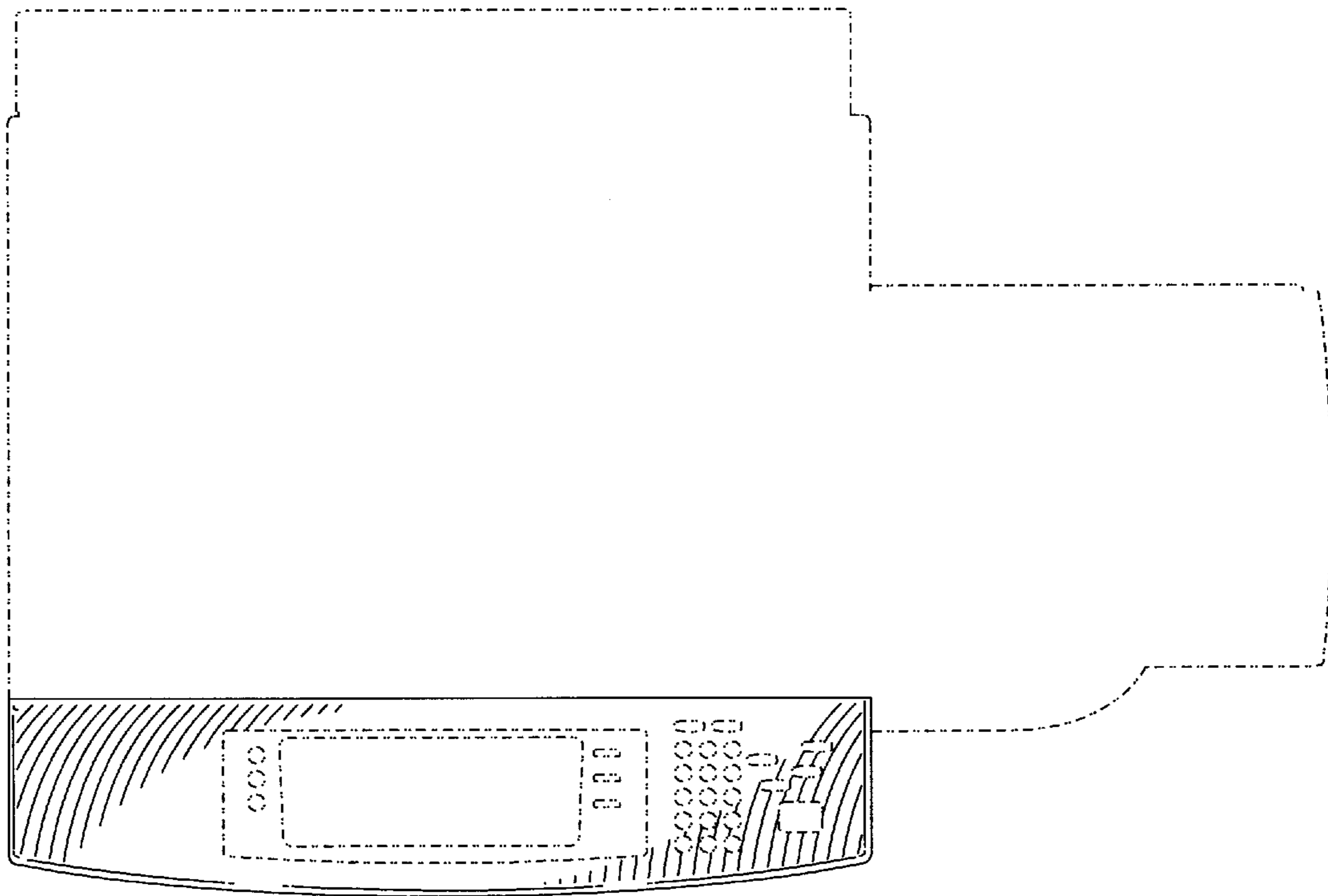
FIG. 2



**FIG. 3**



**FIG. 4**



**FIG. 5**